



US00D599550S

(12) **United States Design Patent**
Turvey et al.

(10) **Patent No.:** **US D599,550 S**
(45) **Date of Patent:** **** Sep. 8, 2009**

(54) **FLEXIBLE CONTAINER**
(75) Inventors: **Robert R. Turvey**, Sanford, MI (US);
William E. LeBoeuf, Midland, MI (US);
Hannah E. Wilson, Mystic, CT (US)

4,350,274 A * 9/1982 Morgan 224/610
4,539,705 A 9/1985 Baines
4,691,369 A 9/1987 Costa
4,756,394 A * 7/1988 Cohen 190/18 A
4,805,776 A * 2/1989 Namgyal et al. 206/523
4,822,179 A 4/1989 Natrass

(73) Assignee: **S.C. Johnson Home Storage, Inc.**,
Racine, WI (US)

(Continued)

(**) Term: **14 Years**
(21) Appl. No.: **29/313,009**
(22) Filed: **Dec. 1, 2008**

OTHER PUBLICATIONS

Holiday Storage—Blanket & Sweater Storage Bag. Snagged Jun. 21,
2009 at <http://www.organize.com/hostblst.html>.*

Primary Examiner—Philip S Hyder
Assistant Examiner—Roselyne Cody

(51) **LOC (9) Cl.** **03-01**
(52) **U.S. Cl.** **D3/289**
(58) **Field of Classification Search** D3/242,
D3/254, 273, 276, 289, 301, 257, 260; D7/605,
D7/607, 629; D32/36, 37; 206/223, 278;
383/6, 12, 17, 21, 97; D9/414, 418, 432,
D9/434

(57) **CLAIM**

The ornamental design for a flexible container, as shown and
described.

See application file for complete search history.

DESCRIPTION

FIG. 1 is an isometric view of a top, front, and first side of an
ornamental design for a flexible container;

(56) **References Cited**

U.S. PATENT DOCUMENTS

1,305,199 A * 5/1919 Deubener 383/20
1,379,829 A 5/1921 Lawrence
1,898,838 A 2/1933 Katz
2,040,337 A 5/1936 Rosmait
2,050,967 A 8/1936 Farmer
2,192,131 A 2/1940 Fishwick
2,237,324 A 4/1941 Wolf
2,319,127 A 5/1943 Guenther et al.
D158,378 S * 5/1950 Handlen D3/270
2,513,040 A 6/1950 Miller
3,126,146 A 3/1964 Bonsor
3,229,741 A 1/1966 Ambrose
3,462,069 A 8/1969 Suominen
3,672,562 A 6/1972 Bosse
3,797,733 A 3/1974 Ibing
4,127,155 A 11/1978 Hydorn

FIG. 2 is an elevational view of a first side of the flexible
container of FIG. 1;

FIG. 3 is an elevational view of a second side of the flexible
container of FIG. 1;

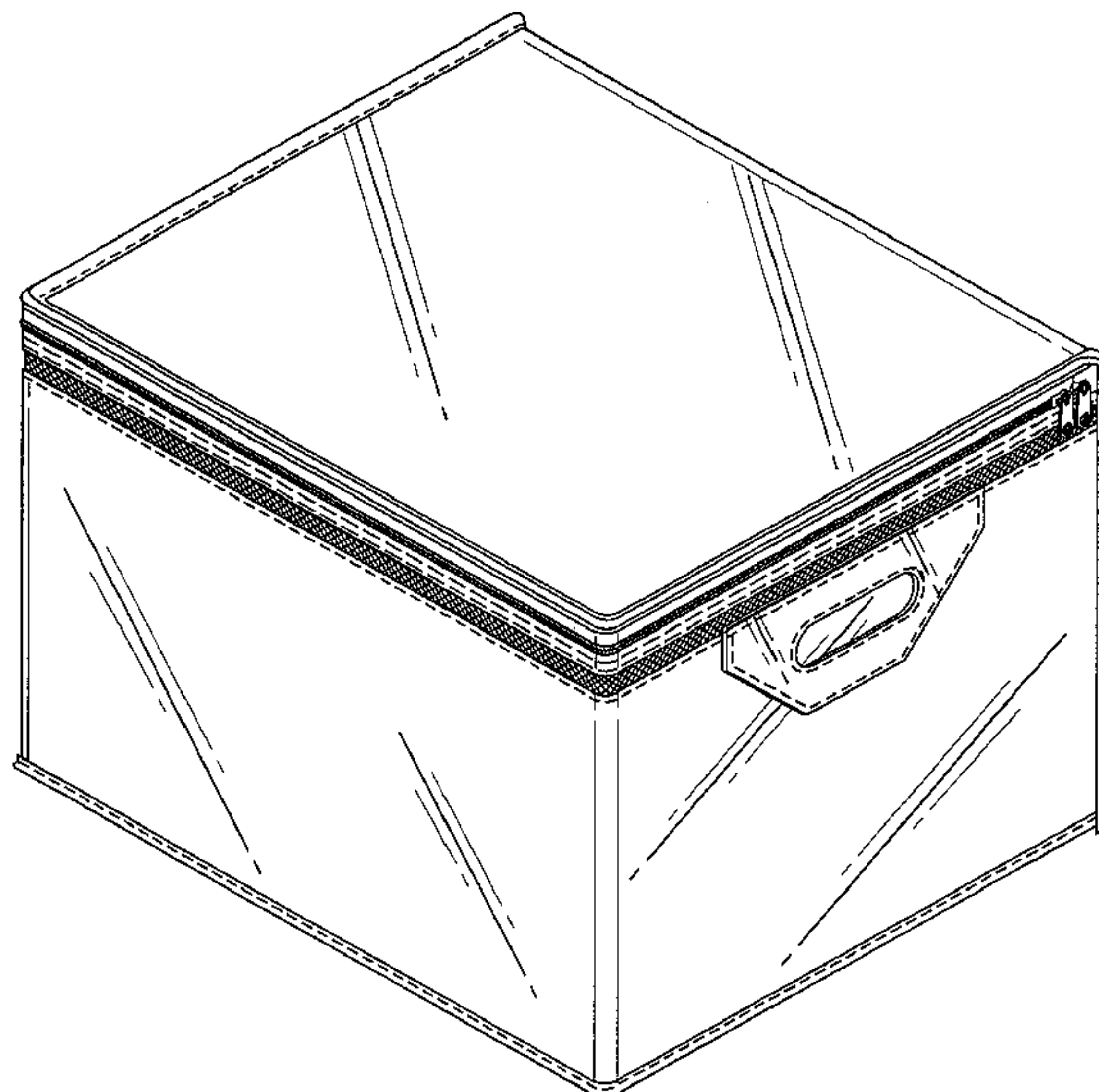
FIG. 4 is a front elevational view of the flexible container of
FIG. 1;

FIG. 5 is a rear elevational view of the flexible container of
FIG. 1.

FIG. 6 is a plan view of the flexible container of FIG. 1; and,
FIG. 7 is a bottom plan view of the flexible container of FIG.
1.

FIG. 7 is provided for context only and forms no part of the
claimed design. All features shown in dashed lines are for
context only and do not form part of the claimed design.

1 Claim, 4 Drawing Sheets



US D599,550 S

Page 2

U.S. PATENT DOCUMENTS

D300,986 S *	5/1989	Peregrine et al.	D3/289	5,816,992 A	10/1998	Conrad	
4,846,587 A	7/1989	Hull		D403,926 S	1/1999	Sutton	
4,877,335 A	10/1989	Barnard		5,879,083 A	3/1999	Nelson et al.	
4,895,456 A	1/1990	Morita		6,092,687 A	7/2000	Hupp et al.	
4,971,453 A	11/1990	Rantanen		D437,483 S *	2/2001	Bisbal et al.	D3/276
4,989,993 A	2/1991	Barnard		D452,075 S	12/2001	Mogil	
5,033,868 A	7/1991	Peppiatt		6,328,158 B1 *	12/2001	Bisbal et al.	206/223
5,046,860 A	9/1991	Brennan		6,443,617 B2	9/2002	Tetenborg	
5,108,196 A	4/1992	Hughes		D479,898 S	9/2003	Scola	
5,145,258 A	9/1992	Schneck et al.		D480,209 S *	10/2003	Davis et al.	D3/289
5,152,612 A	10/1992	Shoemaker		D482,241 S *	11/2003	Tyler	D7/607
5,160,308 A	11/1992	Peppiatt		D486,038 S *	2/2004	Lanman et al.	D7/607
D340,387 S *	10/1993	Melk	D7/607	6,896,131 B2 *	5/2005	Bisbal et al.	206/223
D340,621 S *	10/1993	Melk	D7/607	6,899,663 B2	5/2005	Tetenborg	
5,282,687 A	2/1994	Yee		D506,645 S *	6/2005	Bellofatto et al.	D7/607
5,458,556 A	10/1995	Hlubik		6,957,915 B2	10/2005	Tankersley	
D371,051 S *	6/1996	Melk	D7/607	D531,458 S	11/2006	Lown et al.	
D373,514 S *	9/1996	Melk	D7/607	7,207,716 B2	4/2007	Buchanan et al.	
D373,515 S	9/1996	Melk		D549,445 S	8/2007	Lown et al.	
D382,771 S *	8/1997	Mogil	D7/607	7,341,377 B1	3/2008	Baxter	
5,722,773 A	3/1998	Conrad		2006/0188177 A1	8/2006	Dyer et al.	
5,741,077 A	4/1998	Sasaki et al.		2007/0071370 A1	3/2007	Schneider	
				2008/0013867 A1	1/2008	Liu	

* cited by examiner

Fig. 1

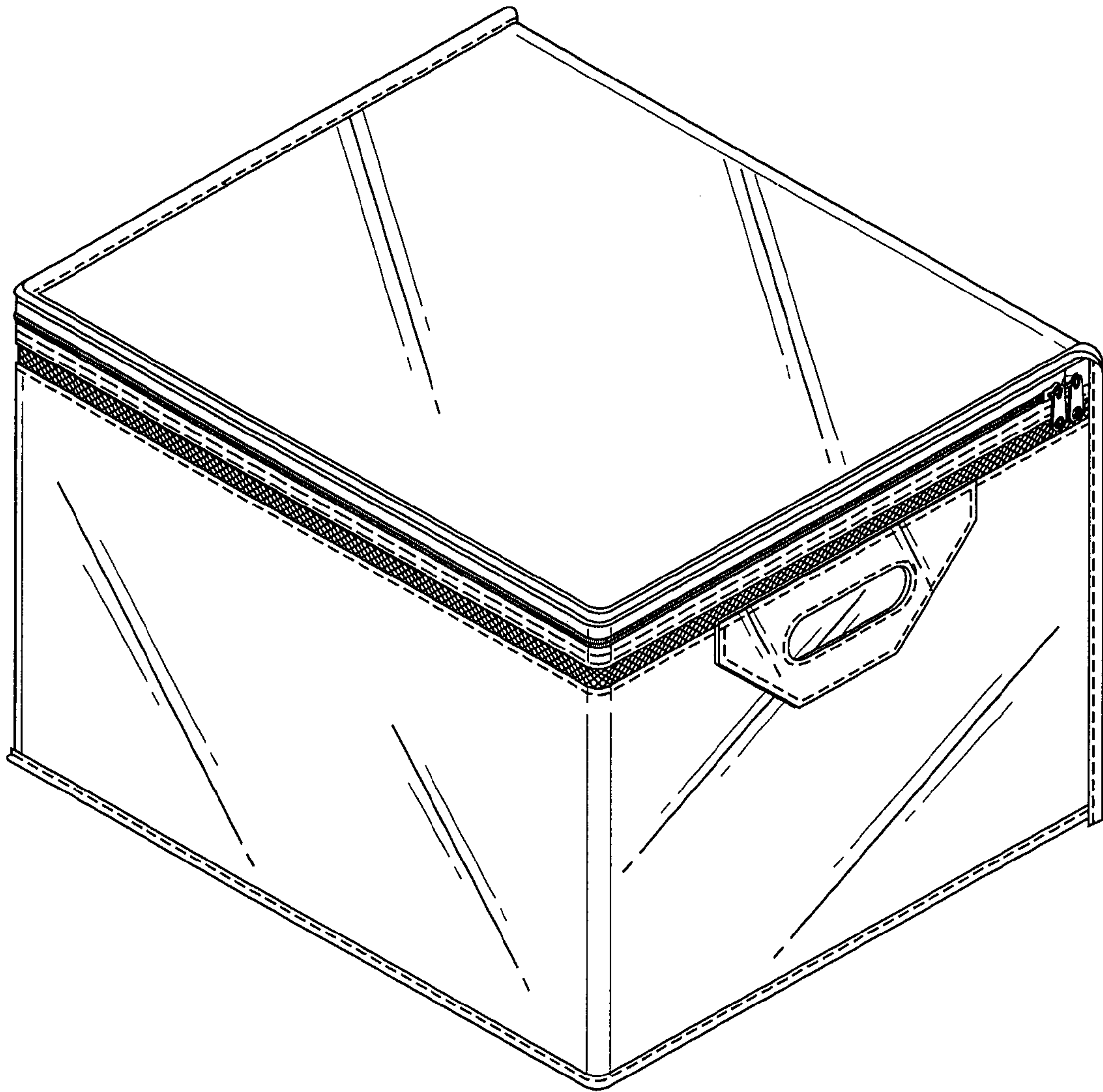


Fig. 2

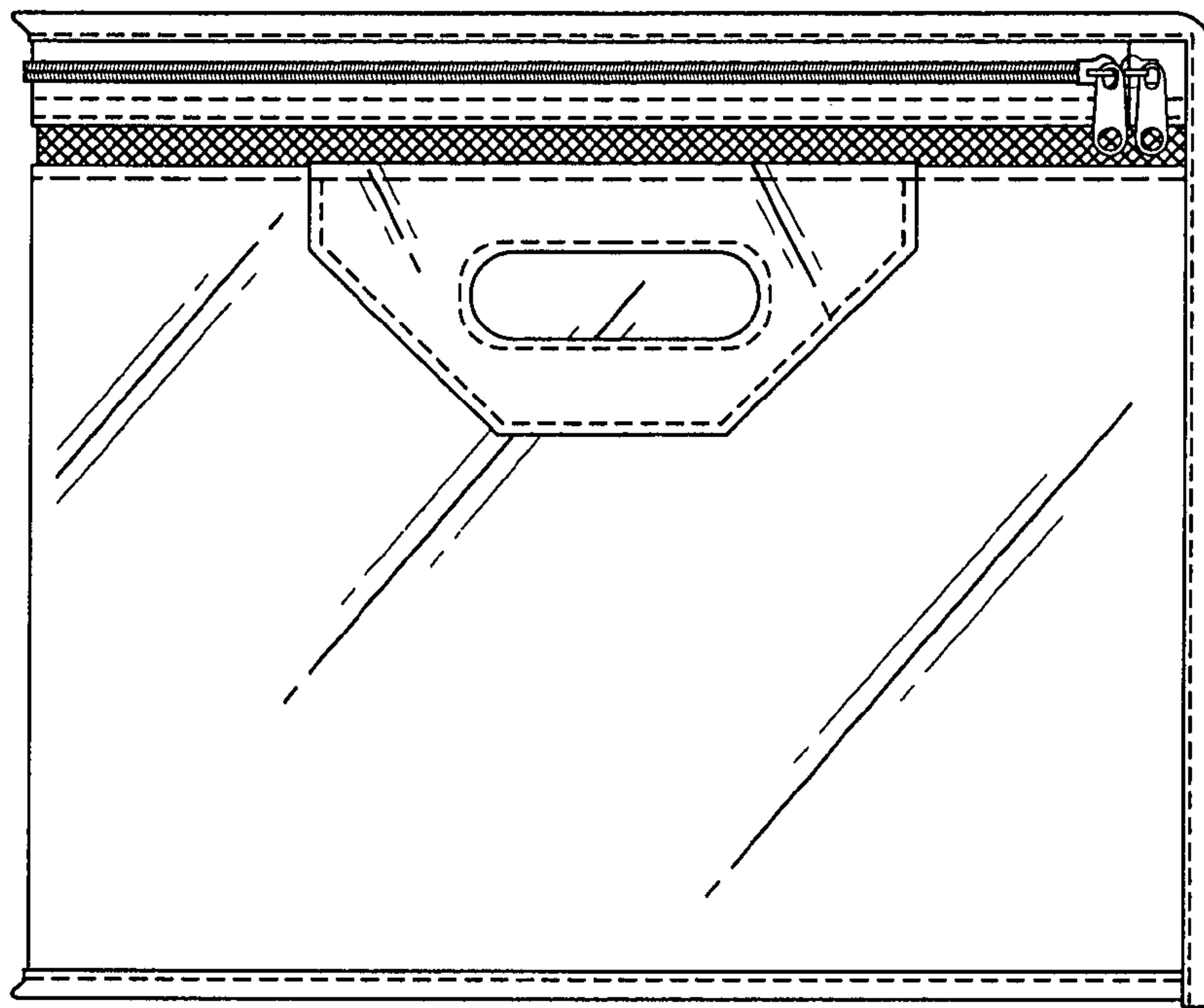


Fig. 3

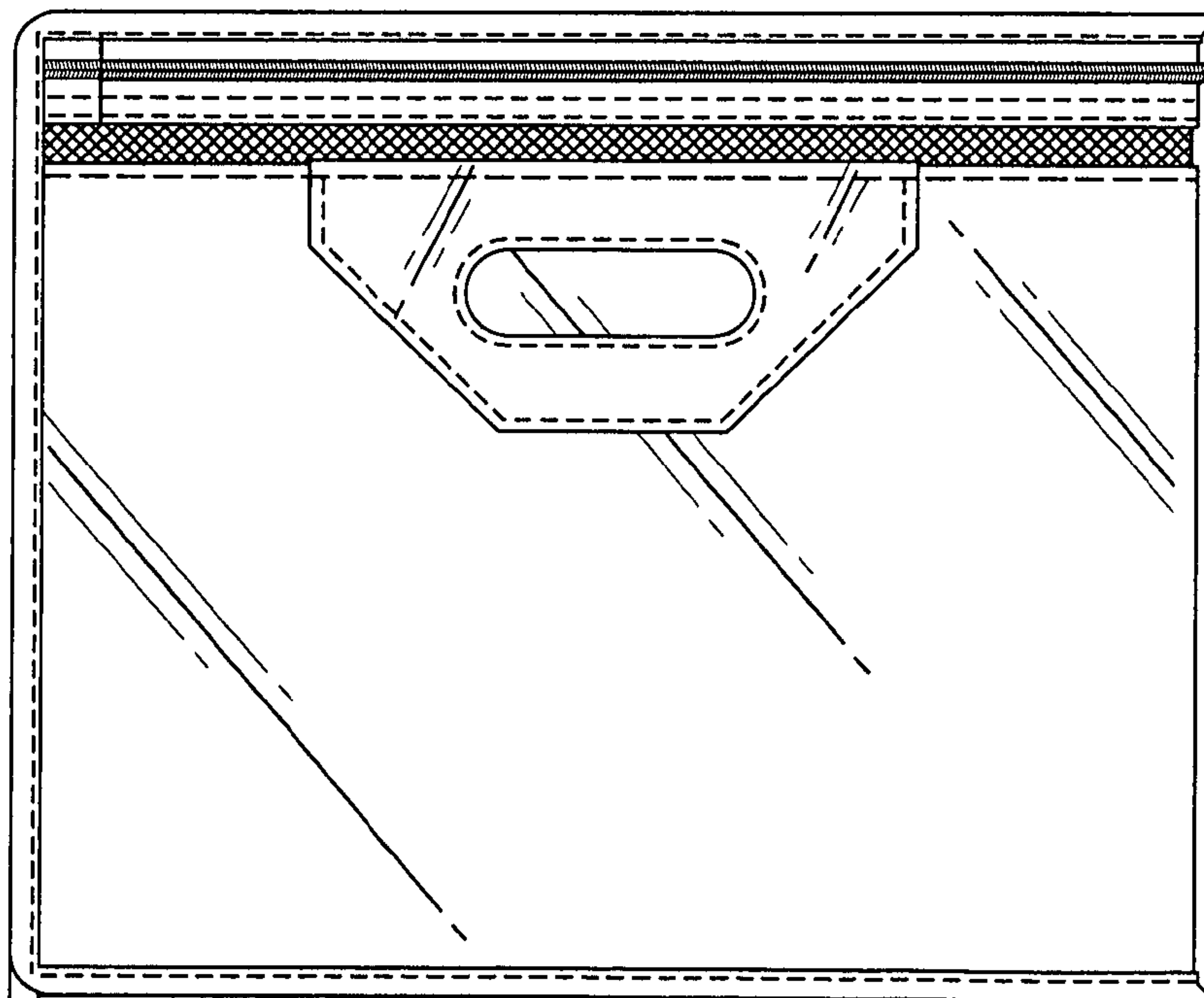


Fig. 4

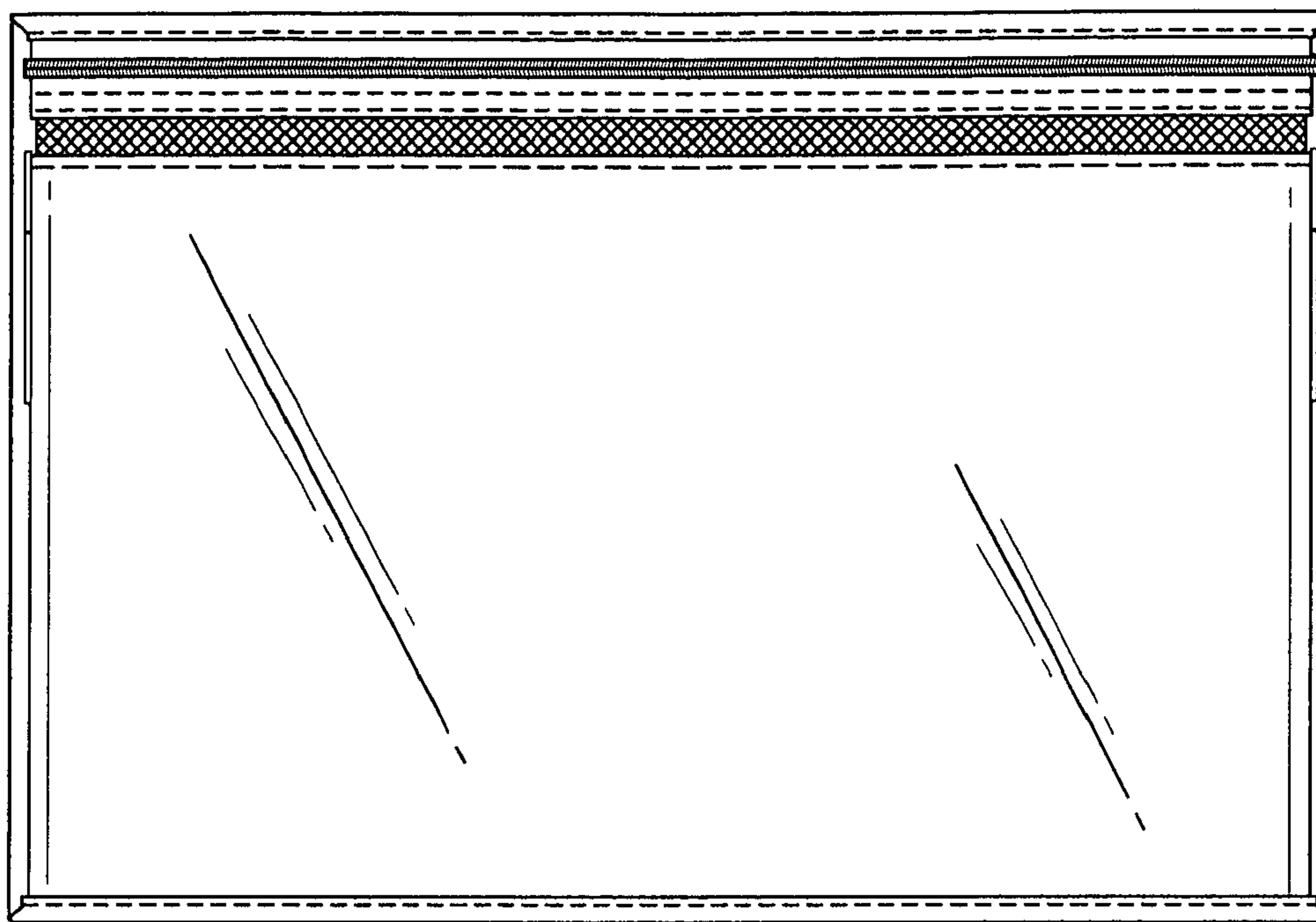


Fig. 5

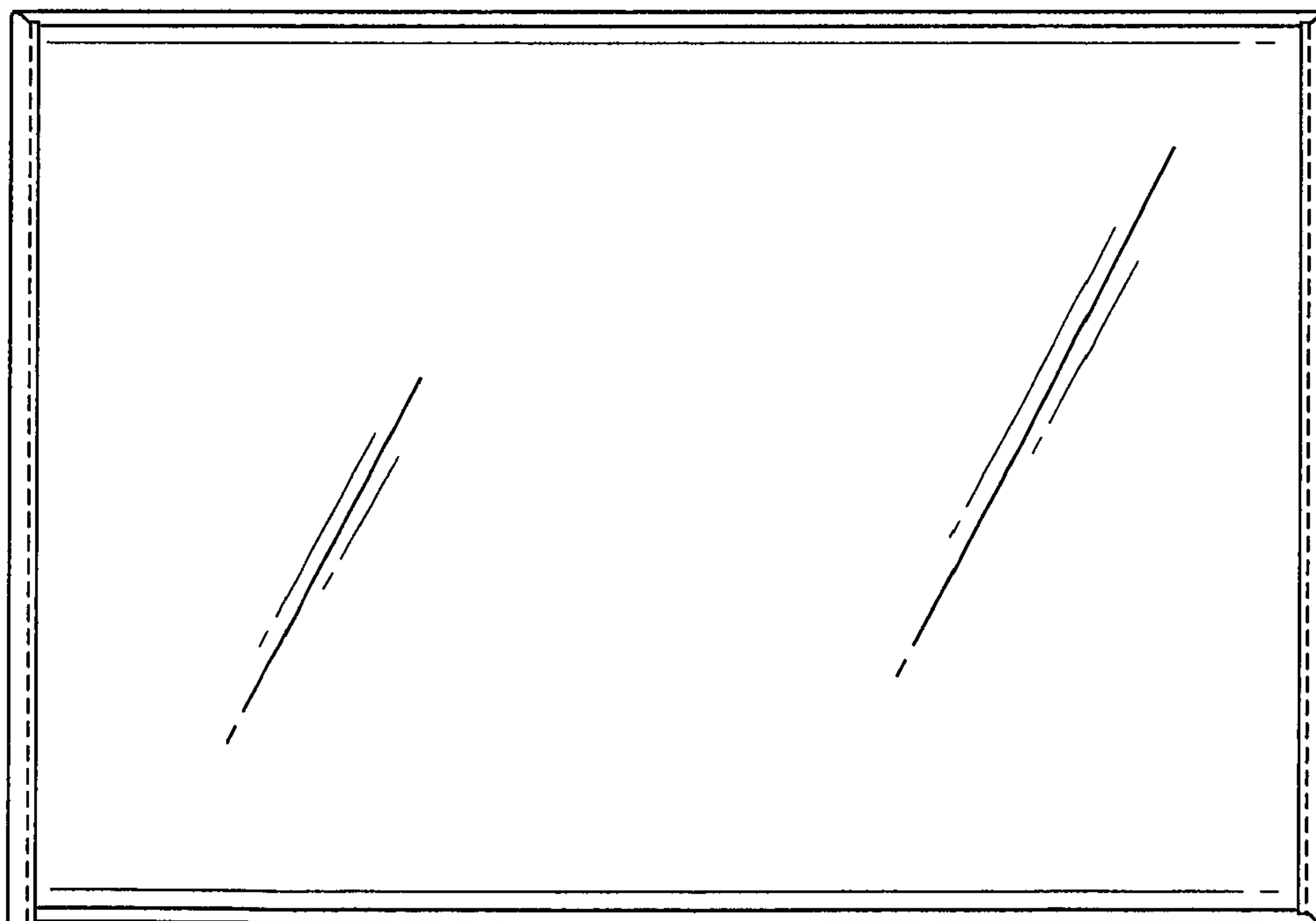


Fig. 6

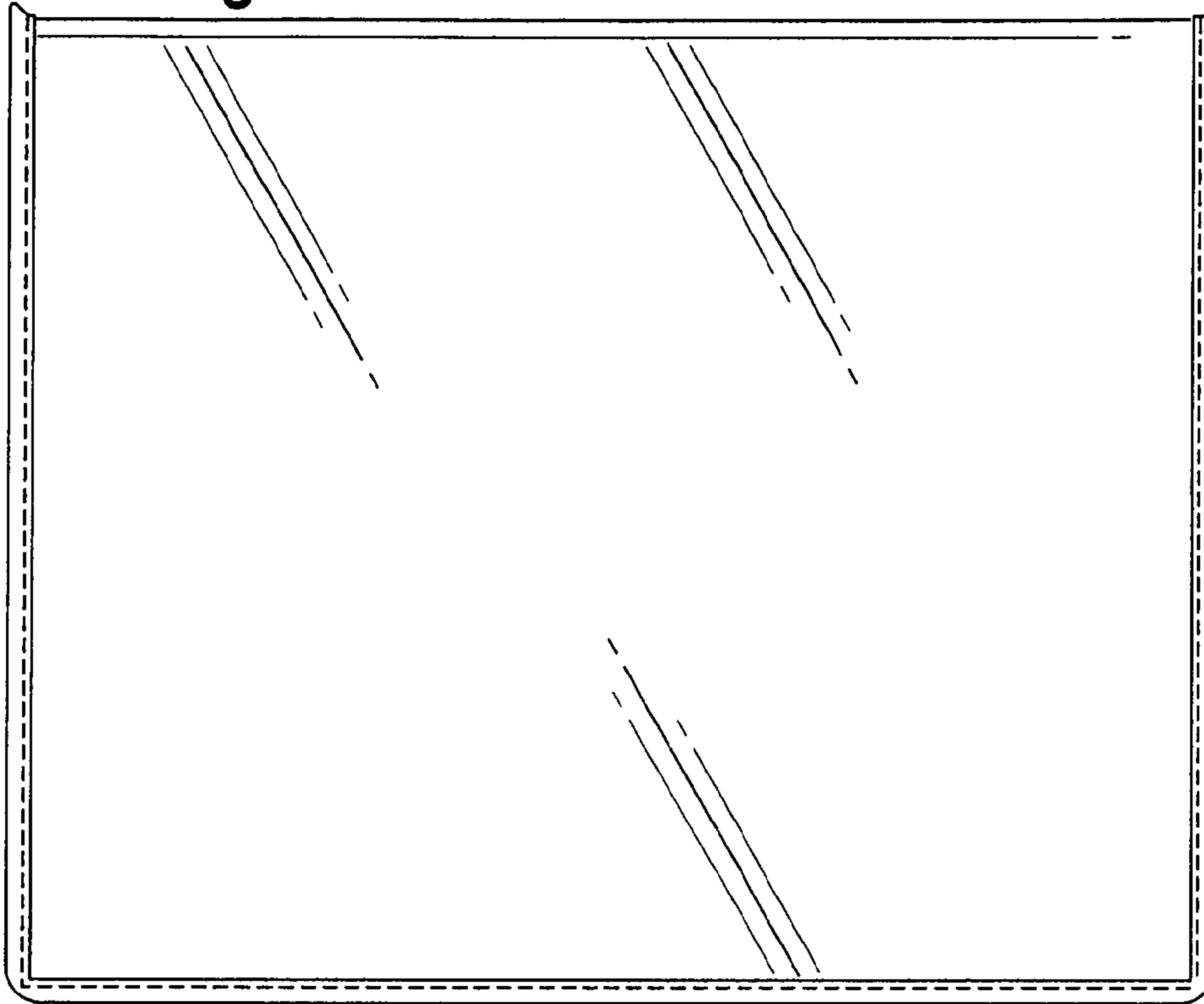


Fig. 7

