



US00D599549S

(12) **United States Design Patent**
Moss et al.

(10) **Patent No.:** **US D599,549 S**

(45) **Date of Patent:** **** Sep. 8, 2009**

(54) **DRILL BIT CASE**

(75) Inventors: **Darren B. Moss**, York, PA (US); **Mark E. Brunson**, Belair, MD (US); **Scott A. Muhlbaier**, Baltimore, MD (US); **Gabriel E. Concari**, Eldersburg, MD (US)

(73) Assignee: **Black & Decker Inc.**, Newark, DE (US)

(**) Term: **14 Years**

(21) Appl. No.: **29/317,671**

(22) Filed: **May 5, 2008**

(51) **LOC (9) Cl.** **03-01**

(52) **U.S. Cl.** **D3/282; D3/295; D3/905**

(58) **Field of Classification Search** D3/201,
D3/203.4, 273–274, 298, 302, 315, 905, 282,
D3/284, 260; D9/415–416, 419, 424, 428;
206/315.1, 349, 372–379

See application file for complete search history.

(56) **References Cited**

U.S. PATENT DOCUMENTS

337,888	A	3/1886	Swan	
350,016	A	9/1886	Richards	
1,803,028	A	4/1931	Menten	
D250,433	S	11/1978	Malcom	
D258,705	S	3/1981	Wheeler	
4,909,386	A	3/1990	Jeffers	
D331,662	S	12/1992	Melk	
D374,988	S	10/1996	Hillinger	
D392,463	S *	3/1998	Grey	D3/319
D394,952	S *	6/1998	Wei	D3/273
D400,709	S *	11/1998	Chang	D3/294
5,887,715	A *	3/1999	Vasudeva	206/373

D422,787	S	4/2000	Feng	
6,105,767	A *	8/2000	Vasudeva	206/372
D434,561	S *	12/2000	Vasudeva	D3/282
D446,651	S *	8/2001	Liao	D3/284
D474,020	S *	5/2003	Wang et al.	D3/274
D474,340	S *	5/2003	Vasudeva	D3/282
D474,599	S *	5/2003	Shamoon	D3/282
D478,725	S *	8/2003	Vasudeva et al.	D3/282
6,626,295	B1 *	9/2003	Vasudeva	206/373
D495,488	S *	9/2004	Singh	D3/282
D499,549	S	12/2004	Rosler	
2005/0051445	A1 *	3/2005	Meehan et al.	206/372
2006/0037880	A1 *	2/2006	Wang	206/372

* cited by examiner

Primary Examiner—Philip S Hyder

Assistant Examiner—Roselyne Cody

(74) *Attorney, Agent, or Firm*—Scott B. Markow

(57) **CLAIM**

The ornamental design for a drill bit case, as shown and described.

DESCRIPTION

FIG. 1 is a perspective view of the drill bit case shown opened.

FIG. 2 is a rear view thereof.

FIG. 3 is a front view thereof.

FIG. 4 is a right view thereof.

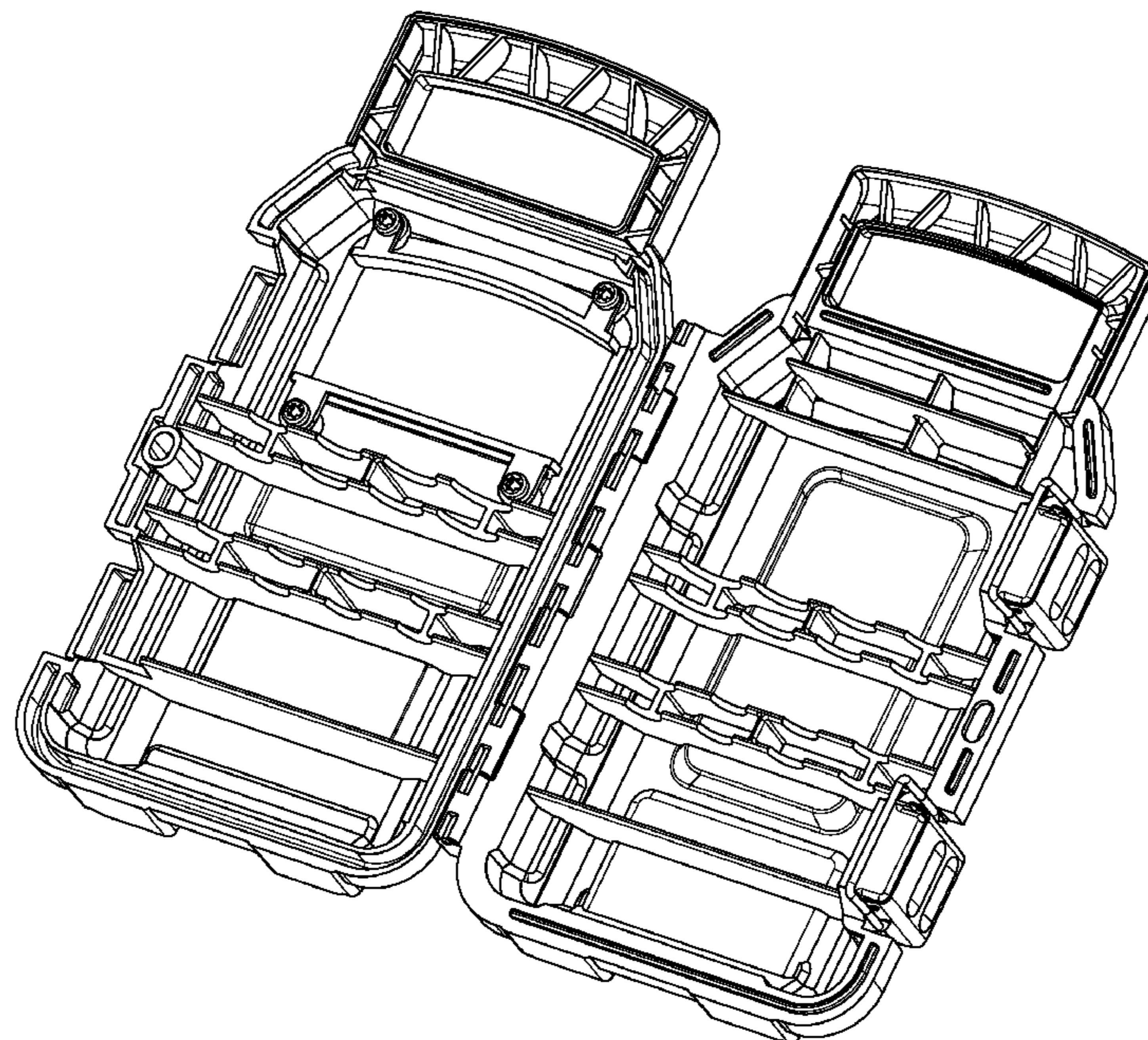
FIG. 5 is a left view thereof.

FIG. 6 is a top view thereof; and,

FIG. 7 is a bottom view thereof.

The features shown in broken lines form no part of the claimed design.

1 Claim, 5 Drawing Sheets



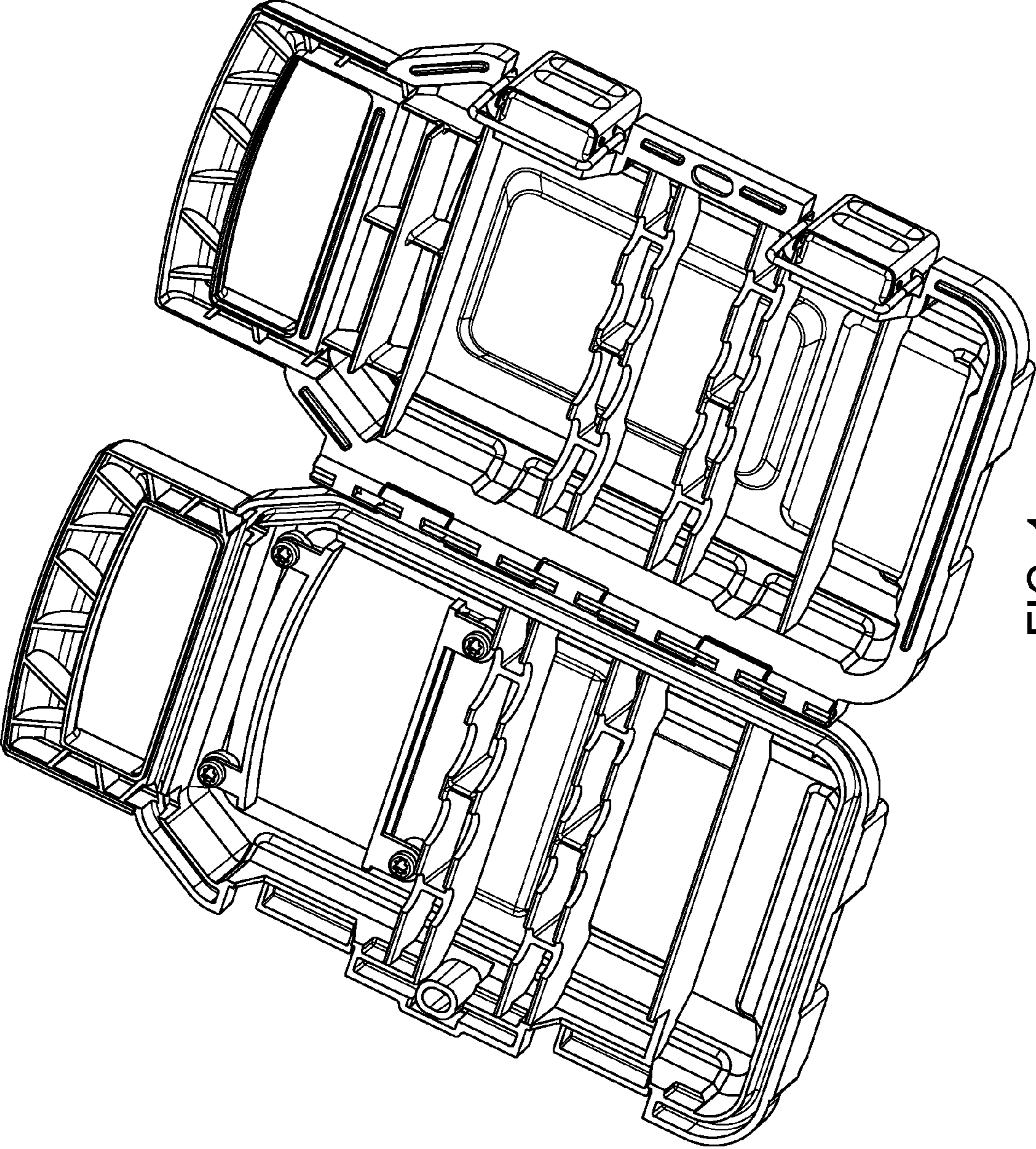


FIG. 1

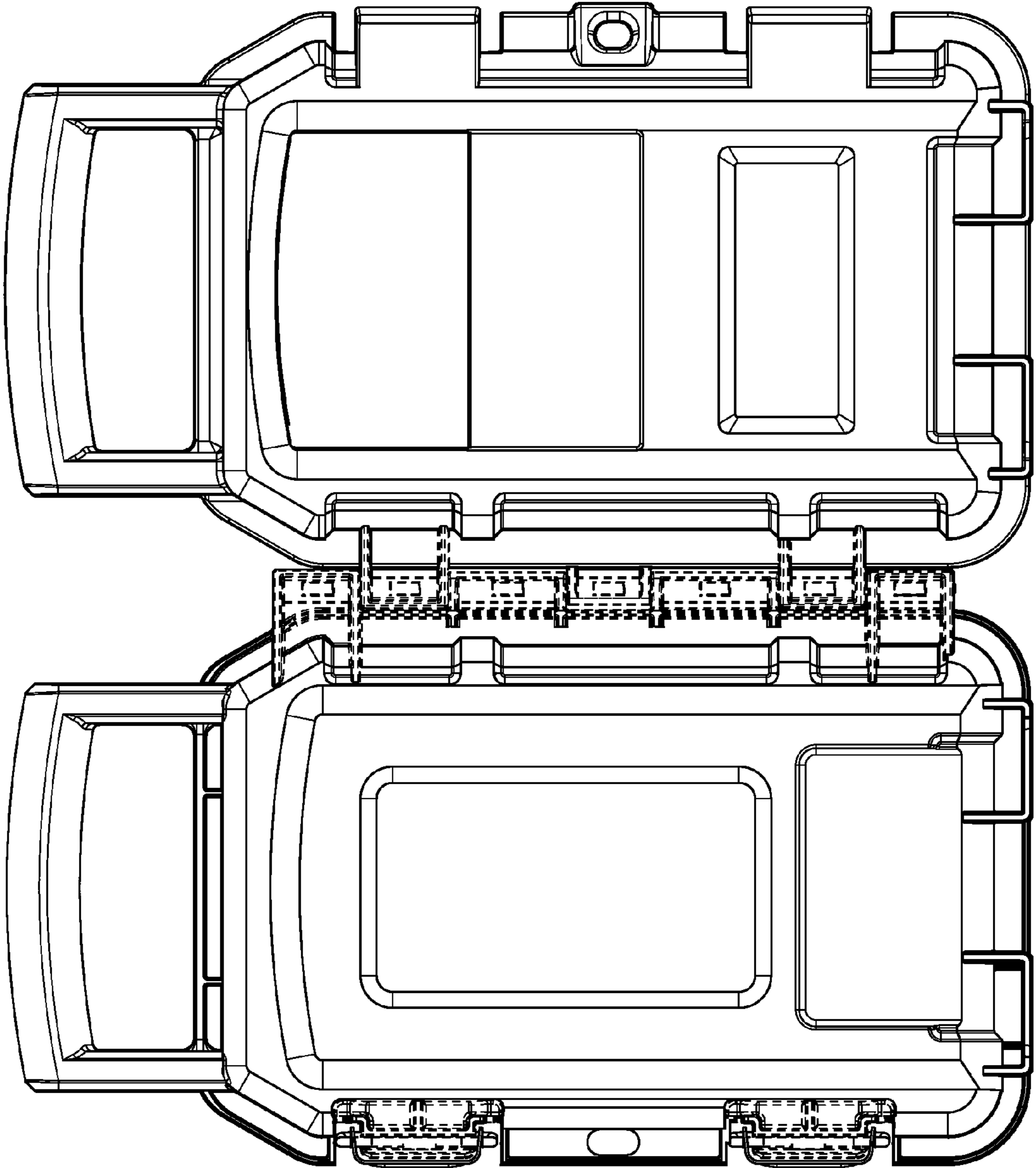


FIG. 2

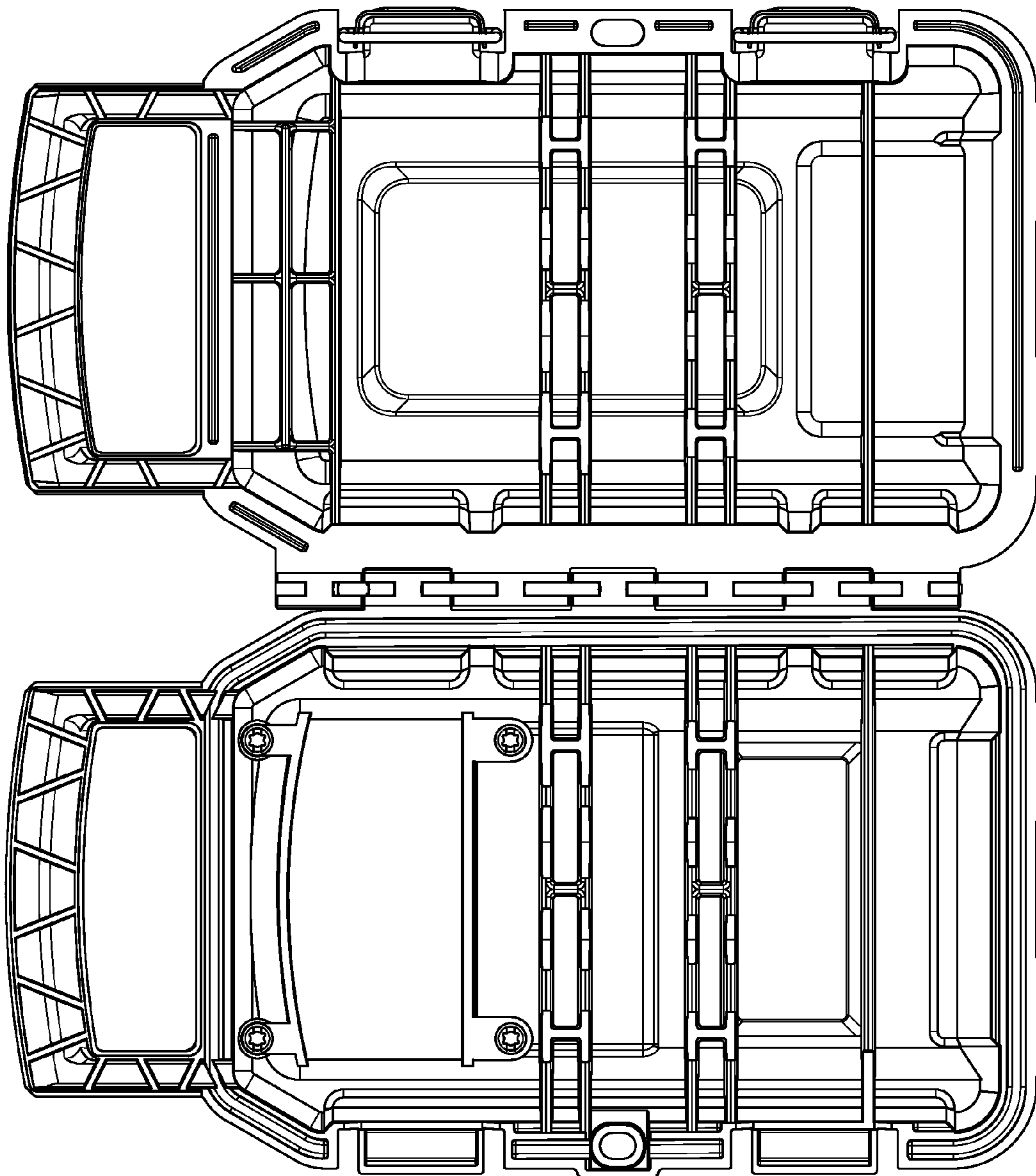


FIG. 3

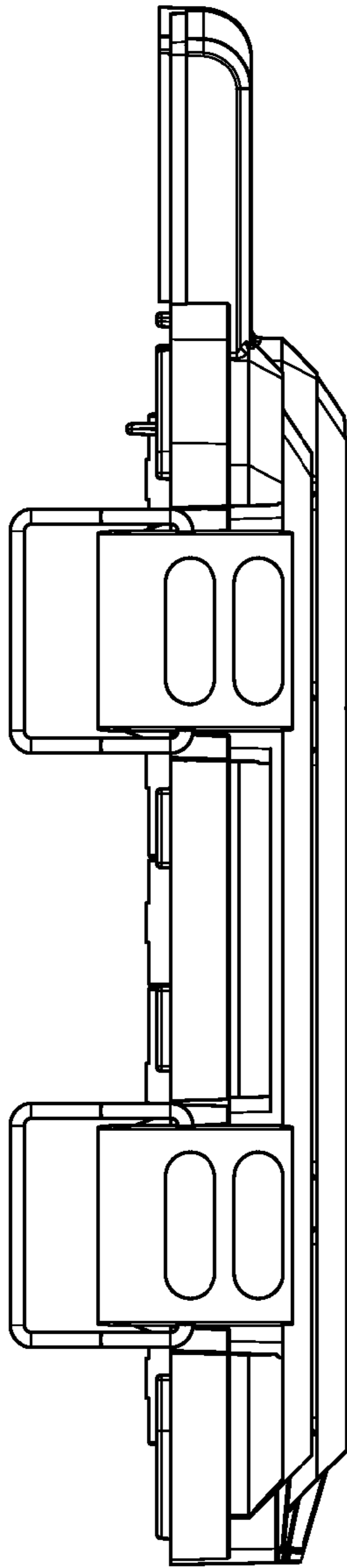


FIG. 4

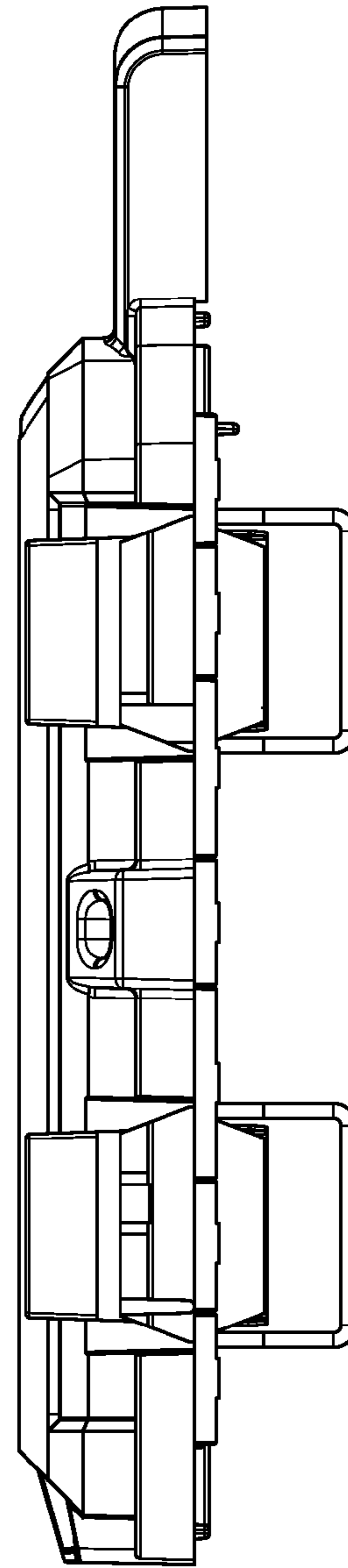


FIG. 5

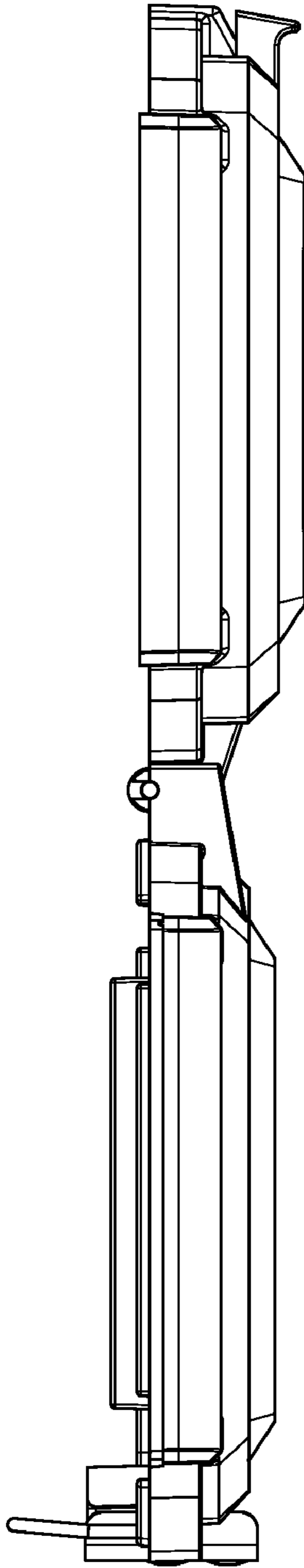


FIG. 6

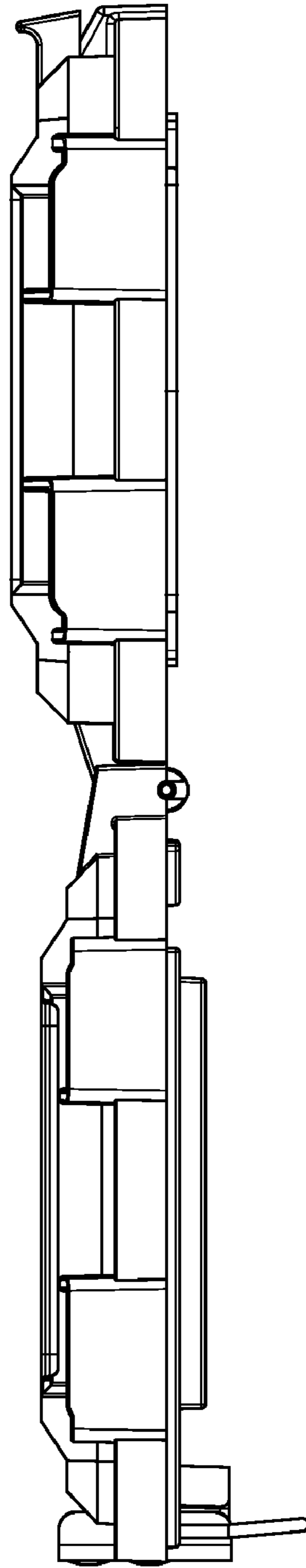


FIG. 7