



US00D599548S

(12) **United States Design Patent**
Bech

(10) **Patent No.:** **US D599,548 S**
(45) **Date of Patent:** **** Sep. 8, 2009**

(54) **PORTABLE CONTAINER**

(75) Inventor: **Thomas Bech**, Højbjerg (DK)

(73) Assignee: **Cryos International APS**, Aarhus C (DK)

(**) Term: **14 Years**

(21) Appl. No.: **29/290,132**

(22) Filed: **Oct. 24, 2007**

(30) **Foreign Application Priority Data**

May 1, 2007 (DK) DA 2007 00104

(51) **LOC (9) Cl.** **03-01**

(52) **U.S. Cl.** **D3/272; D3/291; D3/294**

(58) **Field of Classification Search** D3/272–273,
D3/276, 281, 291, 294–295, 302; D6/430–431,
D6/443; 190/19, 25, 37, 39

See application file for complete search history.

(56) **References Cited**

U.S. PATENT DOCUMENTS

1,134,219 A * 4/1915 Myers 190/37
D120,555 S * 5/1940 Pope D9/416
D249,152 S * 8/1978 Macowski D19/73
5,148,917 A * 9/1992 LeBrun 206/372
D342,159 S * 12/1993 Daouk D3/272

D355,828 S * 2/1995 Dickinson et al. D25/63
D382,113 S * 8/1997 DuRapau D3/274
D384,002 S * 9/1997 David et al. D11/164
D439,739 S * 4/2001 Murphy D3/272
D456,710 S * 5/2002 Persson D9/431
D513,581 S * 1/2006 Willems D8/301
D513,959 S * 1/2006 Willems D8/301
D515,395 S * 2/2006 Willems D8/301

* cited by examiner

Primary Examiner—Philip S Hyder

Assistant Examiner—Roselynn Cody

(74) *Attorney, Agent, or Firm*—Dykema Gossett PLLC

(57) **CLAIM**

The ornamental design for a portable container, as shown and described.

DESCRIPTION

FIG. 1 is a front perspective view of a portable container showing my new and ornamental design,

FIG. 2 is a left side perspective view thereof,

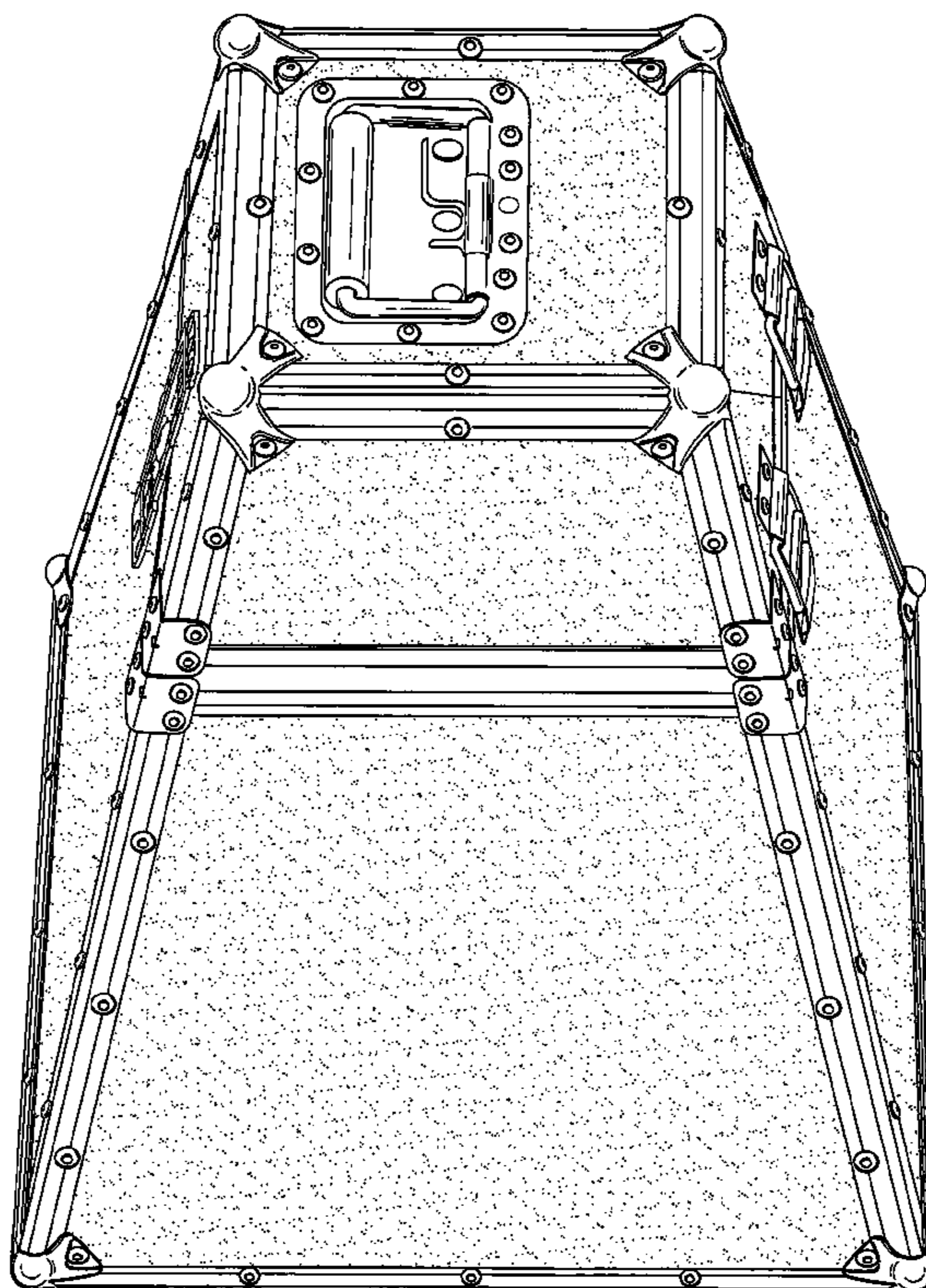
FIG. 3 is a rear perspective view thereof,

FIG. 4 is a right side perspective view thereof; and,

FIG. 5 is a top right perspective view thereof.

The broken lines in the drawings are illustrative of environment and form no part of the claimed design.

1 Claim, 5 Drawing Sheets



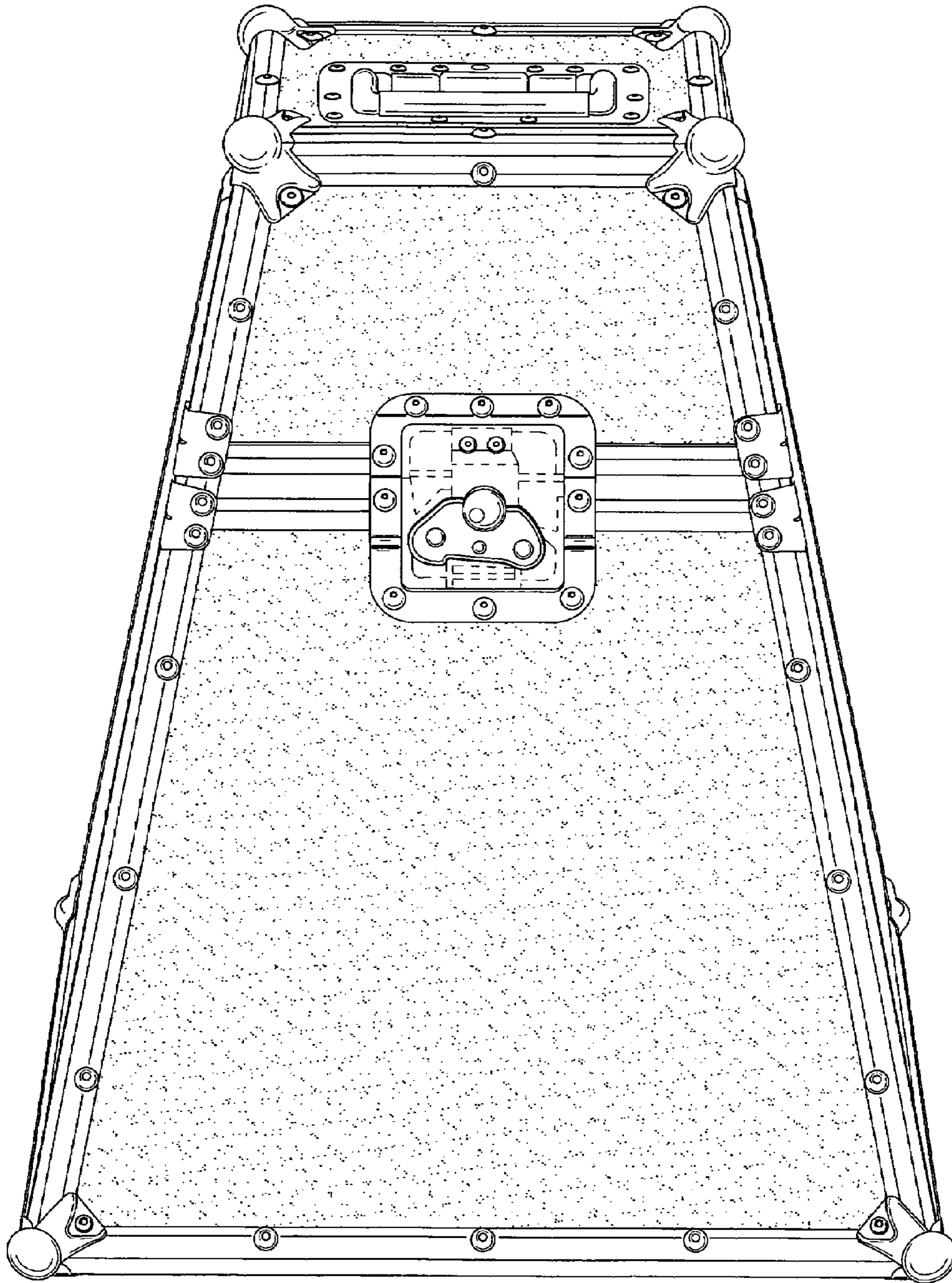


FIG. 1

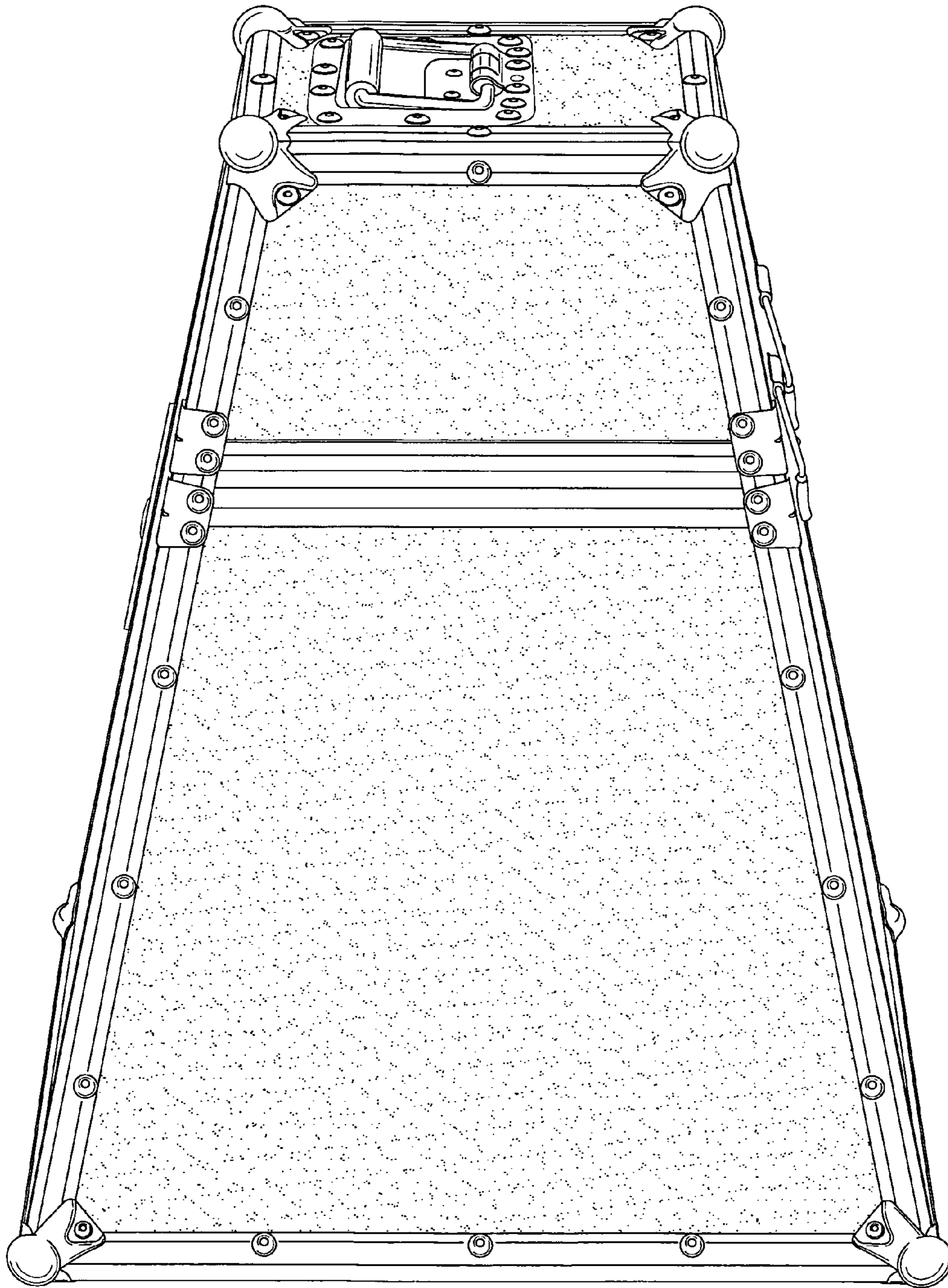


FIG. 2

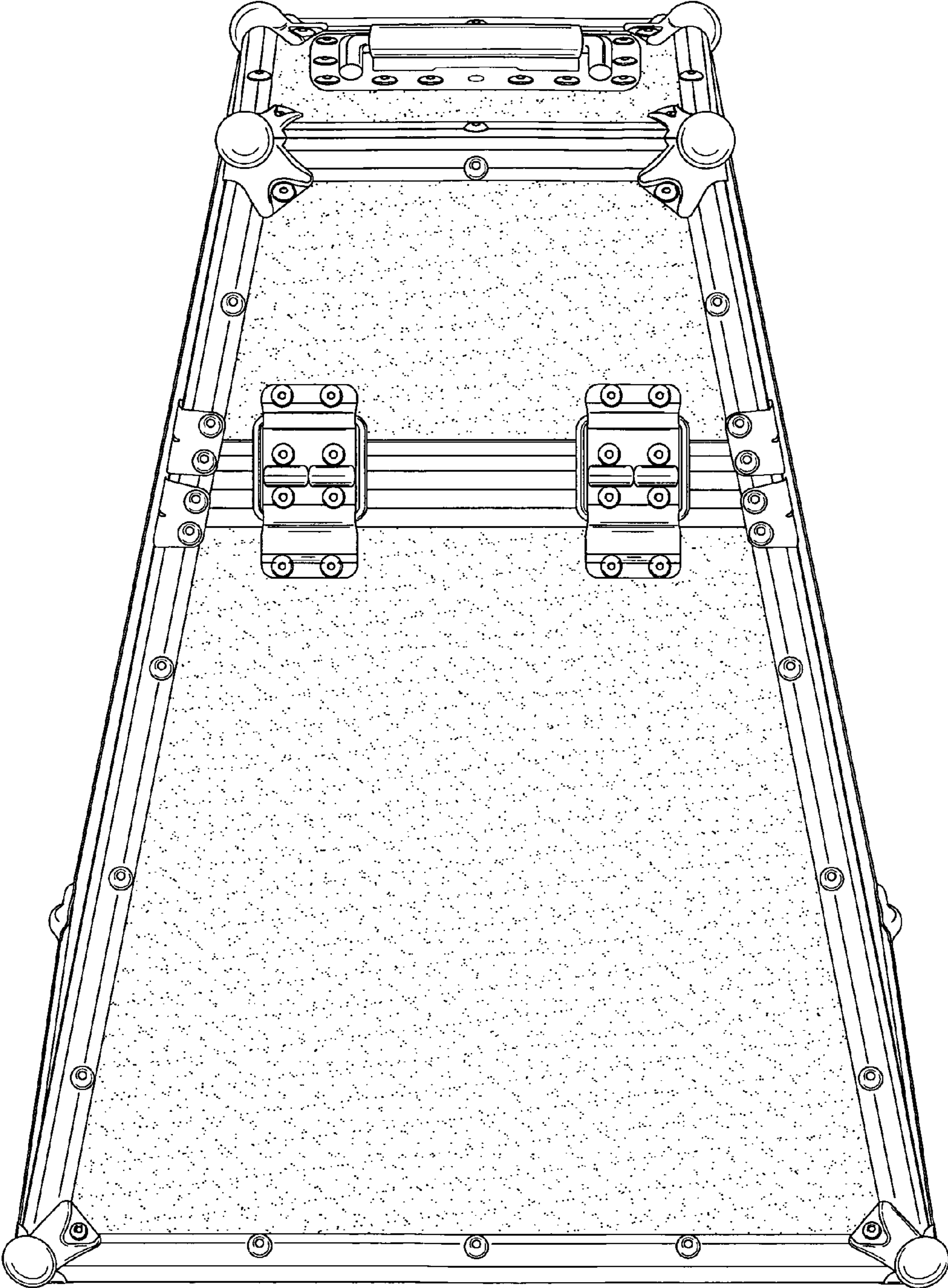


FIG. 3

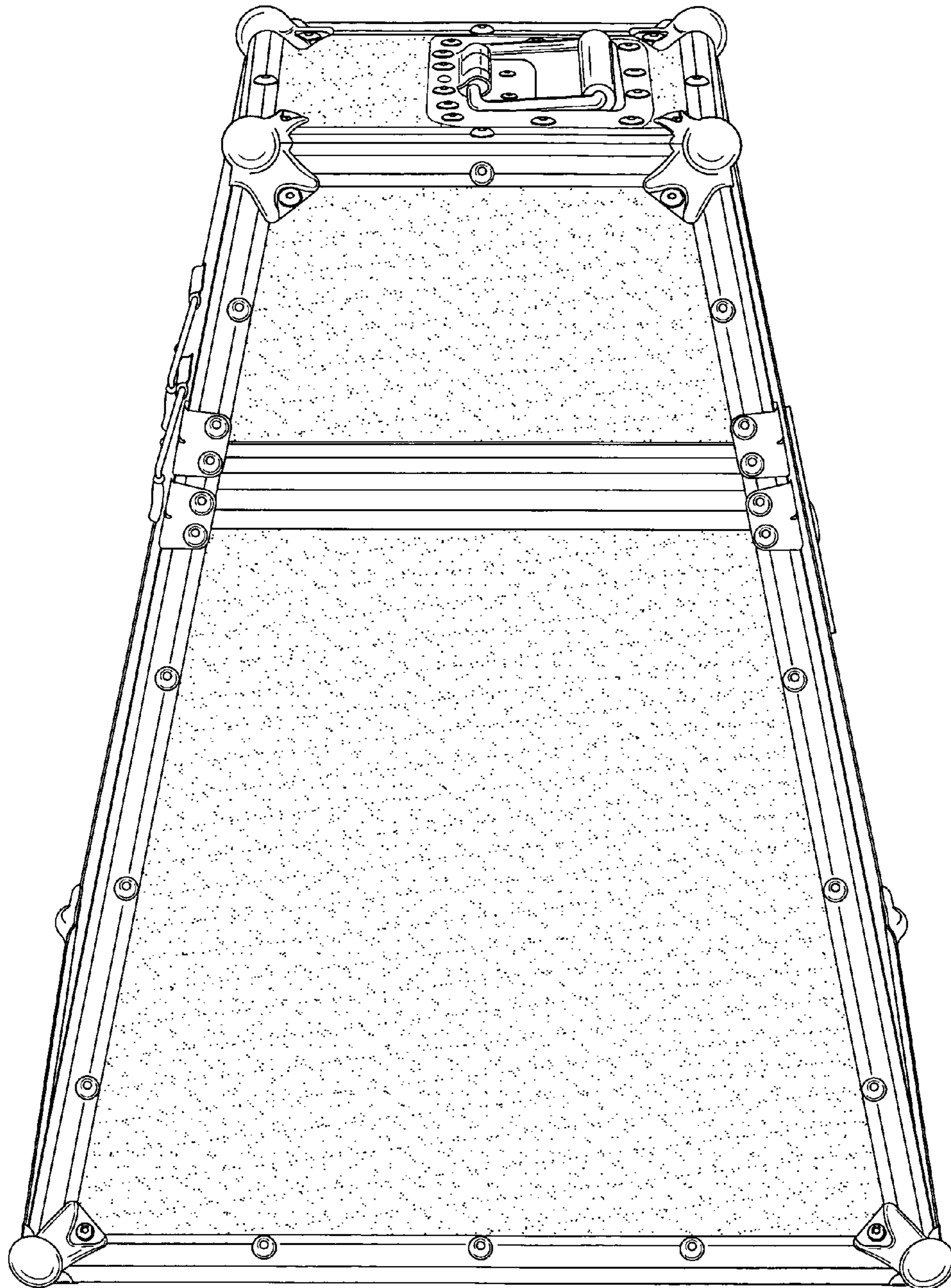


FIG. 4

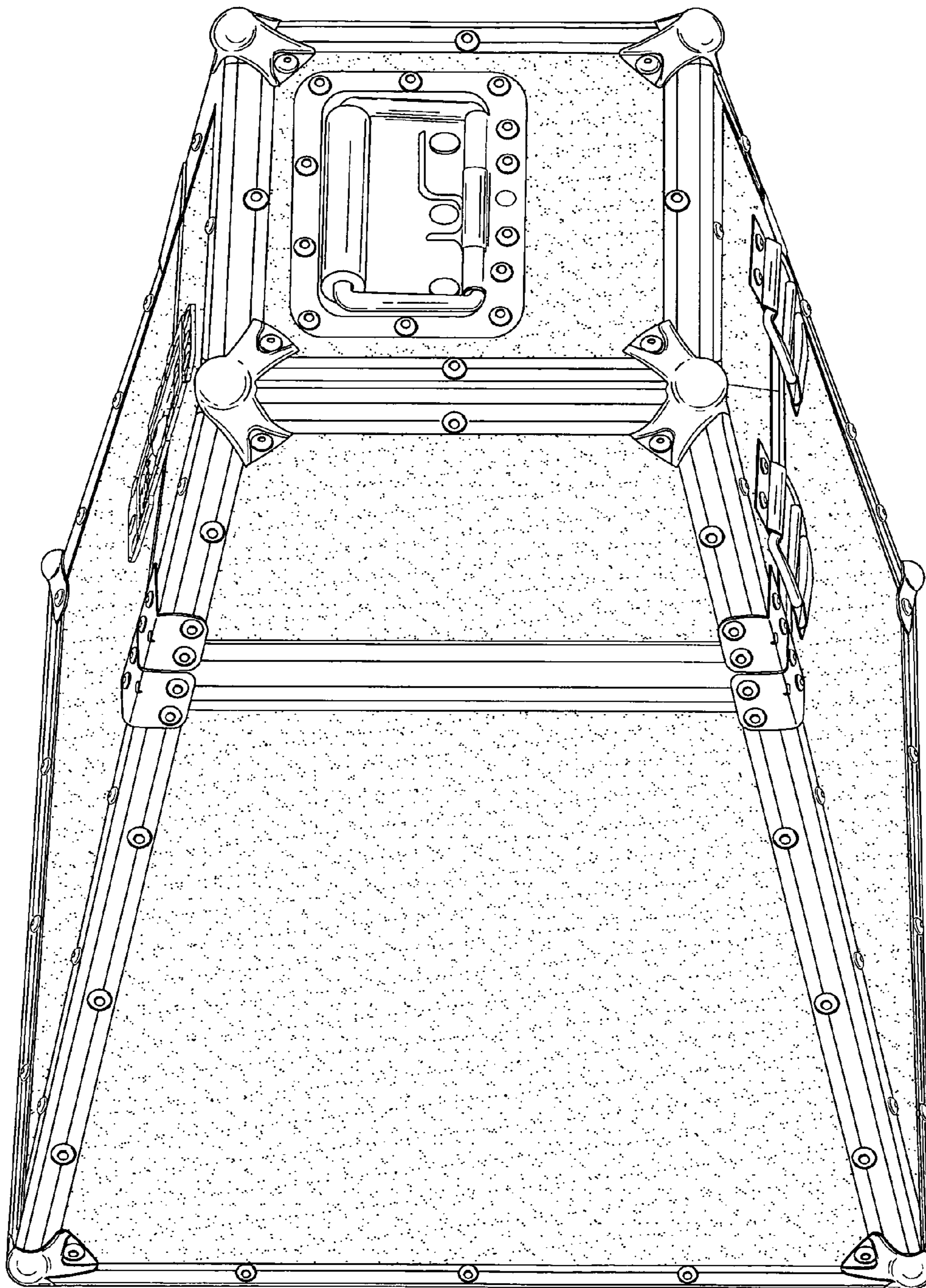


FIG. 5