



US00D599524S

(12) **United States Design Patent**
Averill et al.

(10) **Patent No.:** **US D599,524 S**

(45) **Date of Patent:** **** Sep. 1, 2009**

(54) **FAN COOLED WINCH**

(75) Inventors: **Bryan M. Averill**, Portland, OR (US);
Bryon M. Borntreger, West Linn, OR
(US); **Darren G. Fretz**, Canby, OR
(US); **Glenda M. Steele**, Milwaukie, OR
(US); **Eric J. Webb**, Vancouver, WA
(US)

(73) Assignee: **Warn Industries, Inc.**, Milwaukie, OR
(US)

(**) Term: **14 Years**

(21) Appl. No.: **29/327,718**

(22) Filed: **Nov. 12, 2008**

(51) **LOC (9) Cl.** **12-05**

(52) **U.S. Cl.** **D34/33**

(58) **Field of Classification Search** D34/33,
D34/28; 254/362, 356, 372, 380, 901, 382,
254/374, 316

See application file for complete search history.

(56) **References Cited**

U.S. PATENT DOCUMENTS

D243,940 S	4/1977	Kuzarov	
5,170,995 A *	12/1992	Bitsch et al.	254/342
D471,338 S	3/2003	Hodge	
D473,992 S	4/2003	Hodge	
D475,499 S	6/2003	Hodge	

D479,899 S	9/2003	Hodge	
D489,157 S	4/2004	Lawson	
D513,650 S	1/2006	Elliott	
D532,577 S	11/2006	Elliott et al.	
D550,720 S	9/2007	Geisler et al.	
D550,923 S *	9/2007	Huang	D34/33
D555,874 S	11/2007	Elliott et al.	
D571,973 S	6/2008	Burns et al.	
D573,775 S	7/2008	Burns et al.	
D591,923 S *	5/2009	Freitas et al.	D34/33

* cited by examiner

Primary Examiner—Cynthia E Ramirez

(74) *Attorney, Agent, or Firm*—Harness, Dickey & Pierce,
P.L.C.

(57) **CLAIM**

The ornamental design for a fan cooled winch, as shown and described.

DESCRIPTION

FIG. 1 is a perspective view of a fan cooled winch;

FIG. 2 is a left side view thereof;

FIG. 3 is a front side view thereof;

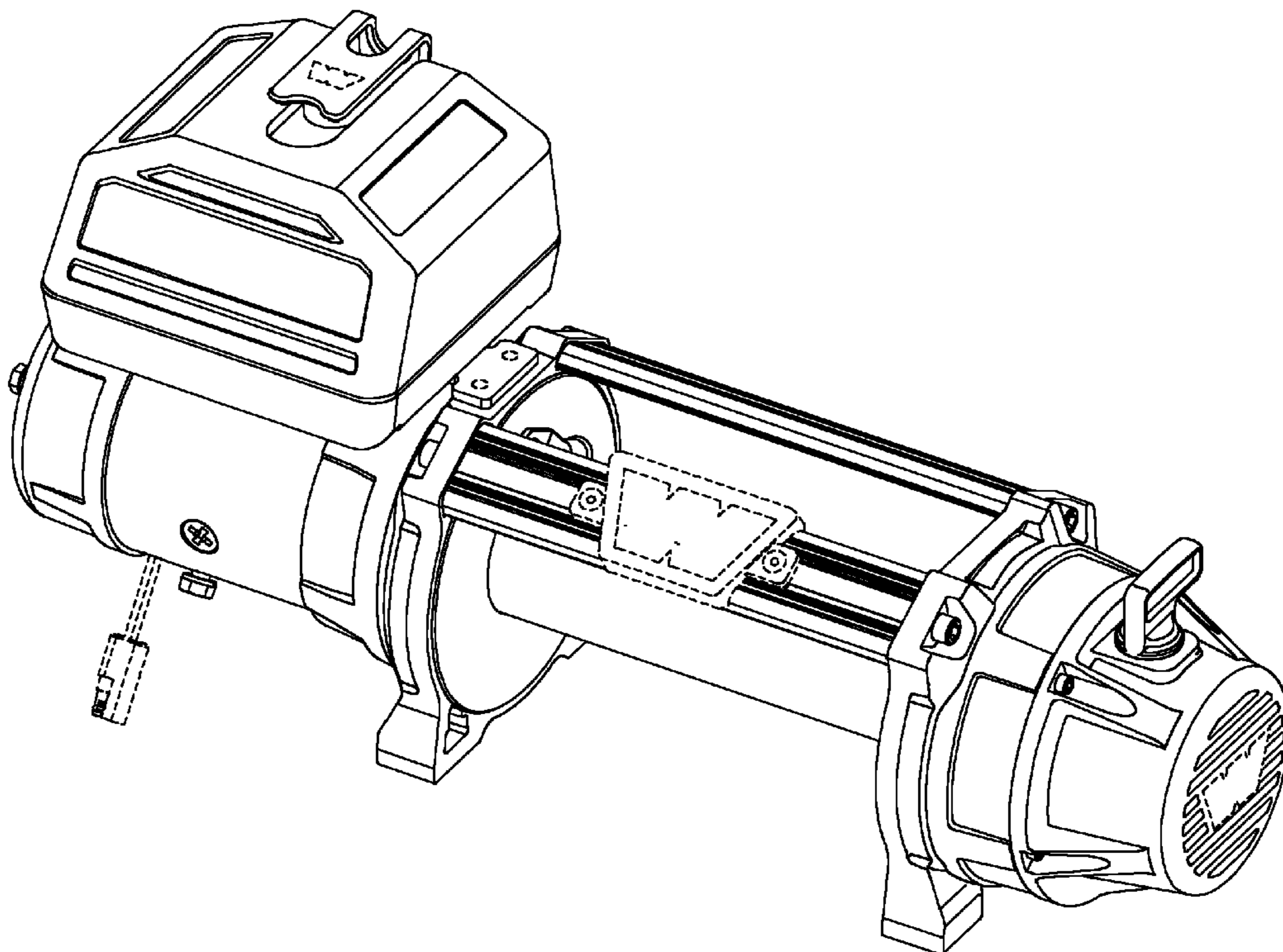
FIG. 4 is a right view thereof;

FIG. 5 is a back side view thereof;

FIG. 6 is a top view thereof; and,

FIG. 7 is a bottom view thereof.

1 Claim, 7 Drawing Sheets



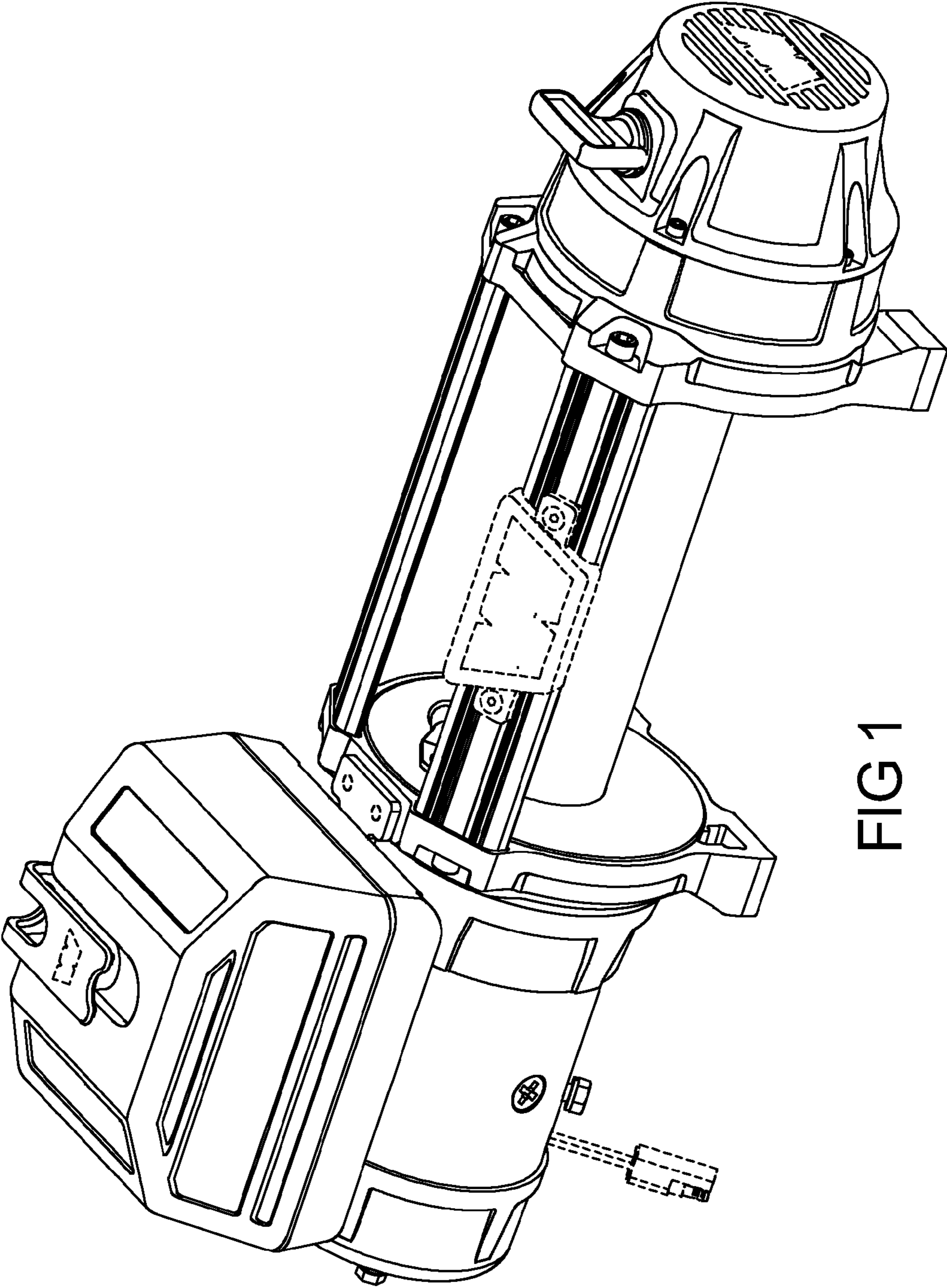


FIG 1

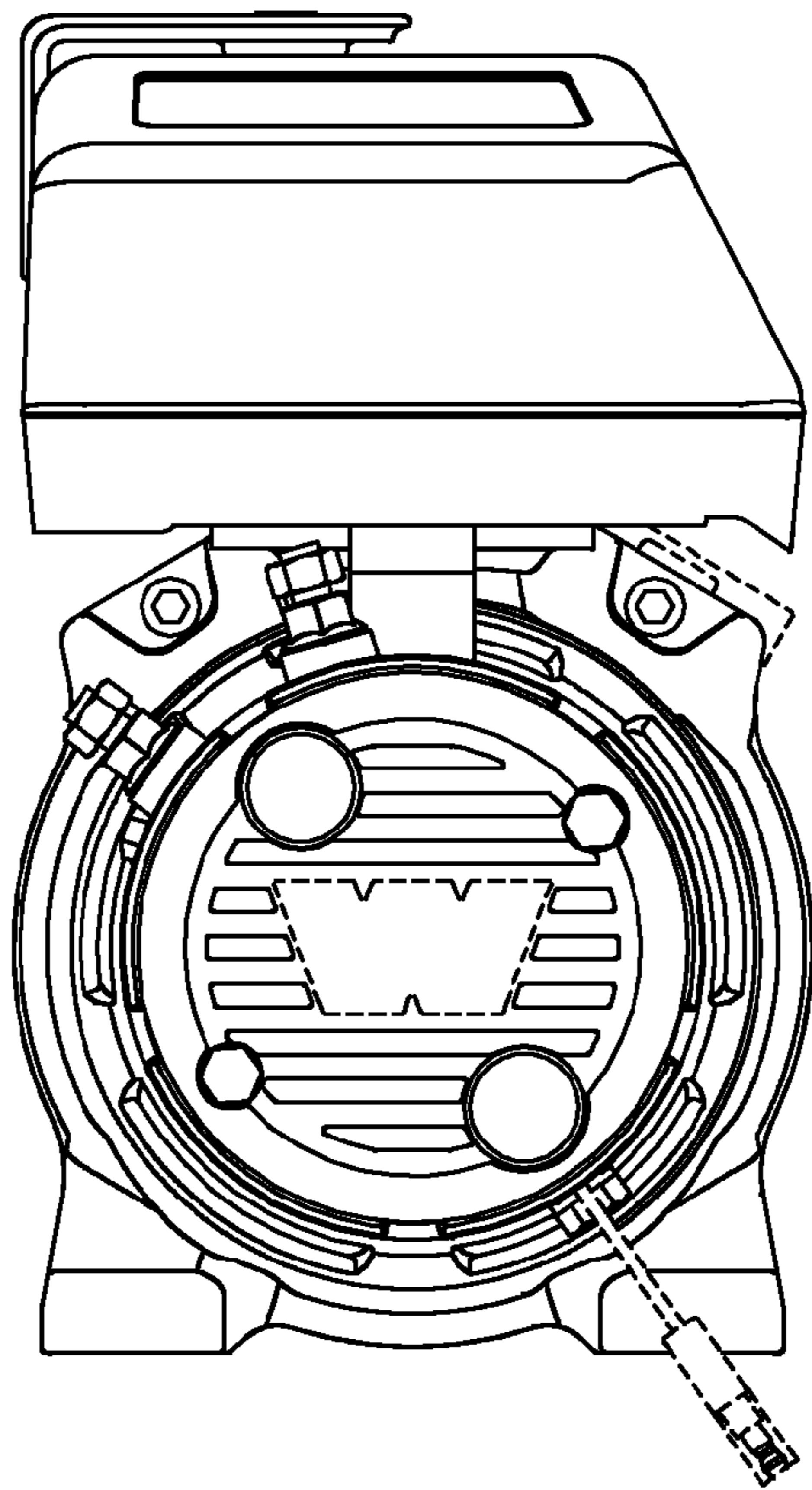


FIG 2

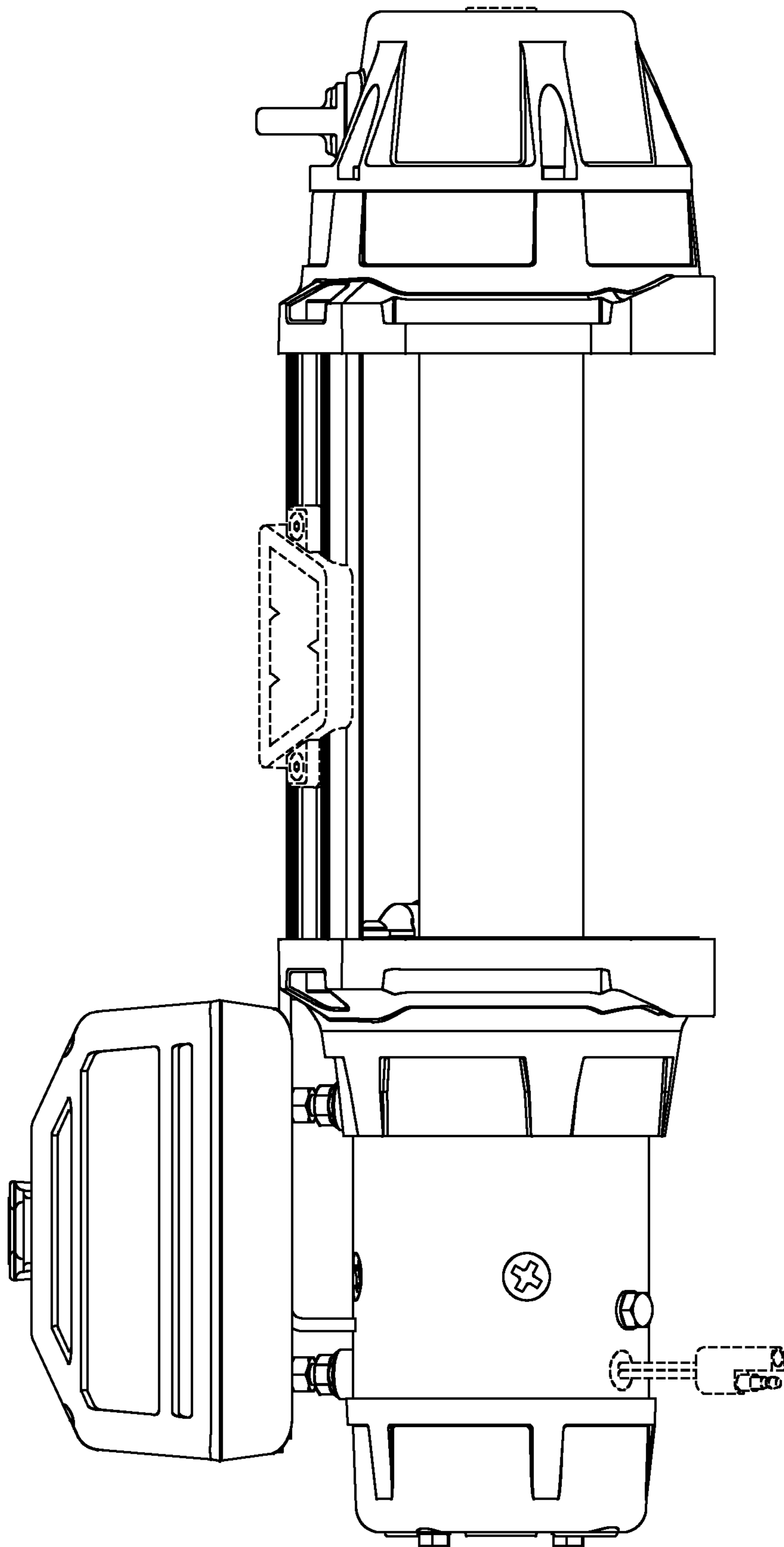


FIG 3

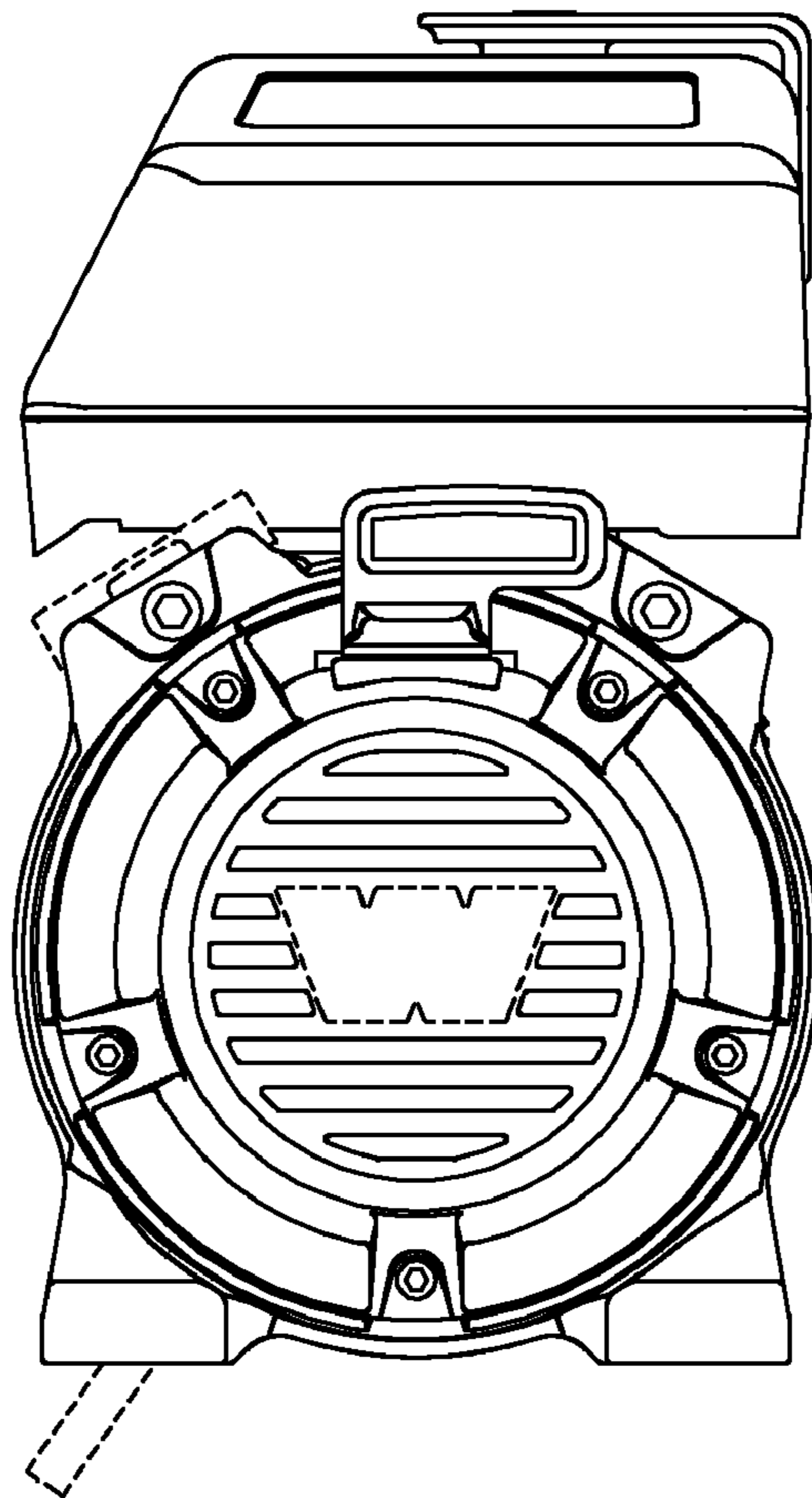


FIG 4

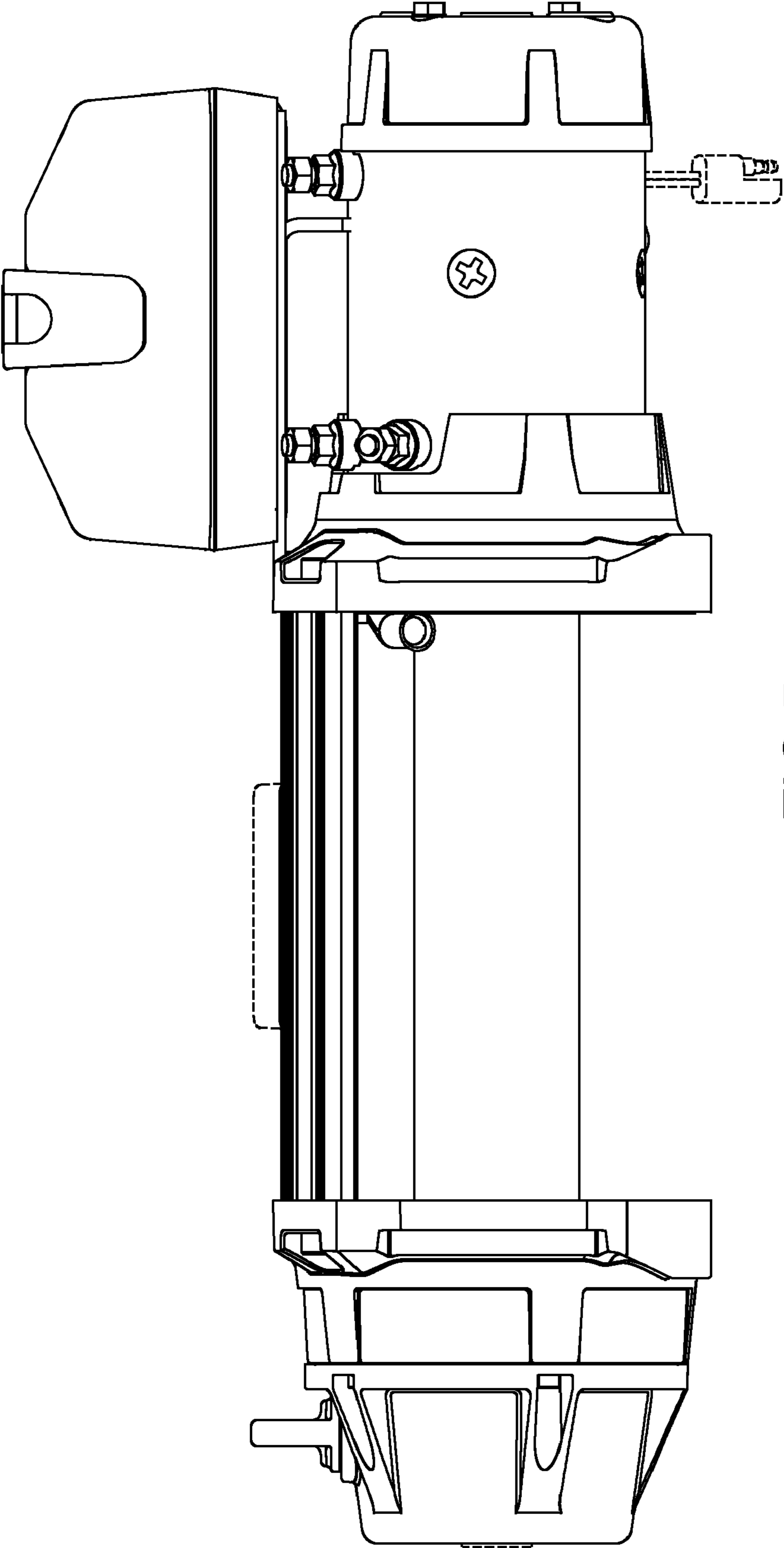


FIG 5

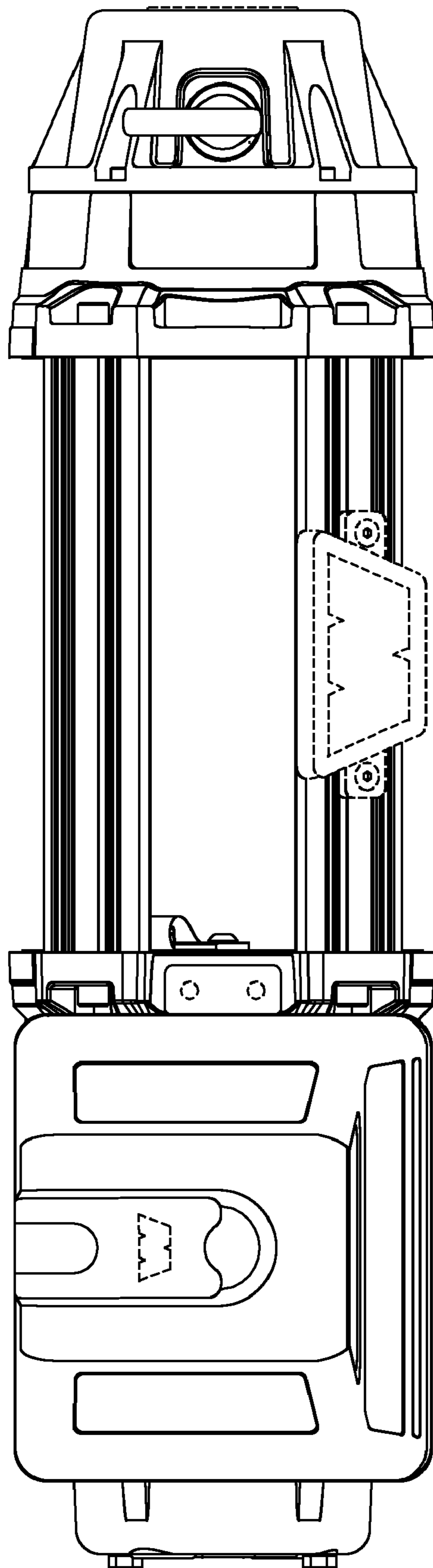


FIG 6

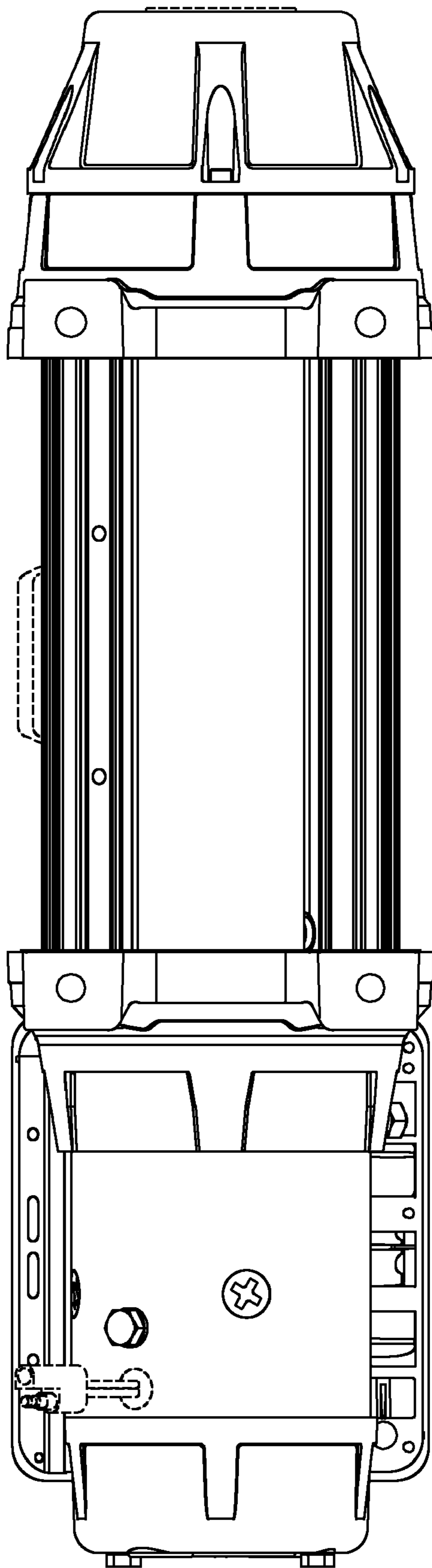


FIG 7

UNITED STATES PATENT AND TRADEMARK OFFICE
CERTIFICATE OF CORRECTION

PATENT NO. : Des. 599,524 S
APPLICATION NO. : 29/327718
DATED : September 1, 2009
INVENTOR(S) : Bryan M. Averill et al.

Page 1 of 1

It is certified that error appears in the above-identified patent and that said Letters Patent is hereby corrected as shown below:

Title page, left Col. in the description of Figure 3, "side" should be deleted.

In the description of Figure 4, --side-- should be inserted after "right".

Signed and Sealed this

Twenty-seventh Day of October, 2009



David J. Kappos
Director of the United States Patent and Trademark Office