



US00D599523S

(12) **United States Design Patent**  
**Ambrefe, Jr. et al.**

(10) **Patent No.:** **US D599,523 S**

(45) **Date of Patent:** **\*\* Sep. 1, 2009**

(54) **CART CONVERSION ATTACHMENT**

2007/0187913 A1\* 8/2007 Cheung ..... 280/47.35

(75) Inventors: **Joseph T. Ambrefe, Jr.**, St. Petersburg, FL (US); **Paul E. Delmerico**, Winchester, VA (US)

\* cited by examiner

*Primary Examiner*—Cynthia E Ramirez  
(74) *Attorney, Agent, or Firm*—Sheppard, Mullin, Richter & Hampton LLP

(73) Assignee: **SecurityPoint Holdings, LLC**, St. Petersburg, FL (US)

(57) **CLAIM**

(\*\*) Term: **14 Years**

We claim the ornamental design for a cart conversion attachment, as shown and described.

(21) Appl. No.: **29/311,227**

(22) Filed: **Jan. 26, 2009**

**DESCRIPTION**

(51) **LOC (9) Cl.** ..... **12-02**

FIG. 1 is a perspective view of a cart conversion attachment embodying our new design.

(52) **U.S. Cl.** ..... **D34/27**

FIG. 2 is a front view of a cart conversion attachment embodying our design.

(58) **Field of Classification Search** ..... D34/12-27;  
280/79.11, 79.2, 79.3, 47.35, 47.34, 47.19  
See application file for complete search history.

FIG. 3 is a rear view of a cart conversion attachment embodying our design.

(56) **References Cited**

**U.S. PATENT DOCUMENTS**

4,643,280	A *	2/1987	Hensley	.....	190/11
4,720,048	A *	1/1988	Maroney et al.	.....	280/47.34
5,566,961	A *	10/1996	Snell et al.	.....	280/47.35
5,887,878	A *	3/1999	Tisbo et al.	.....	280/47.19
D484,664	S *	12/2003	Arceta	.....	D34/27
D529,678	S *	10/2006	Hall	.....	D34/27
D558,949	S *	1/2008	Zorzo	.....	D34/27
D572,424	S *	7/2008	Presnell et al.	.....	D34/14
2004/0119257	A1 *	6/2004	Nelson et al.	.....	280/47.35

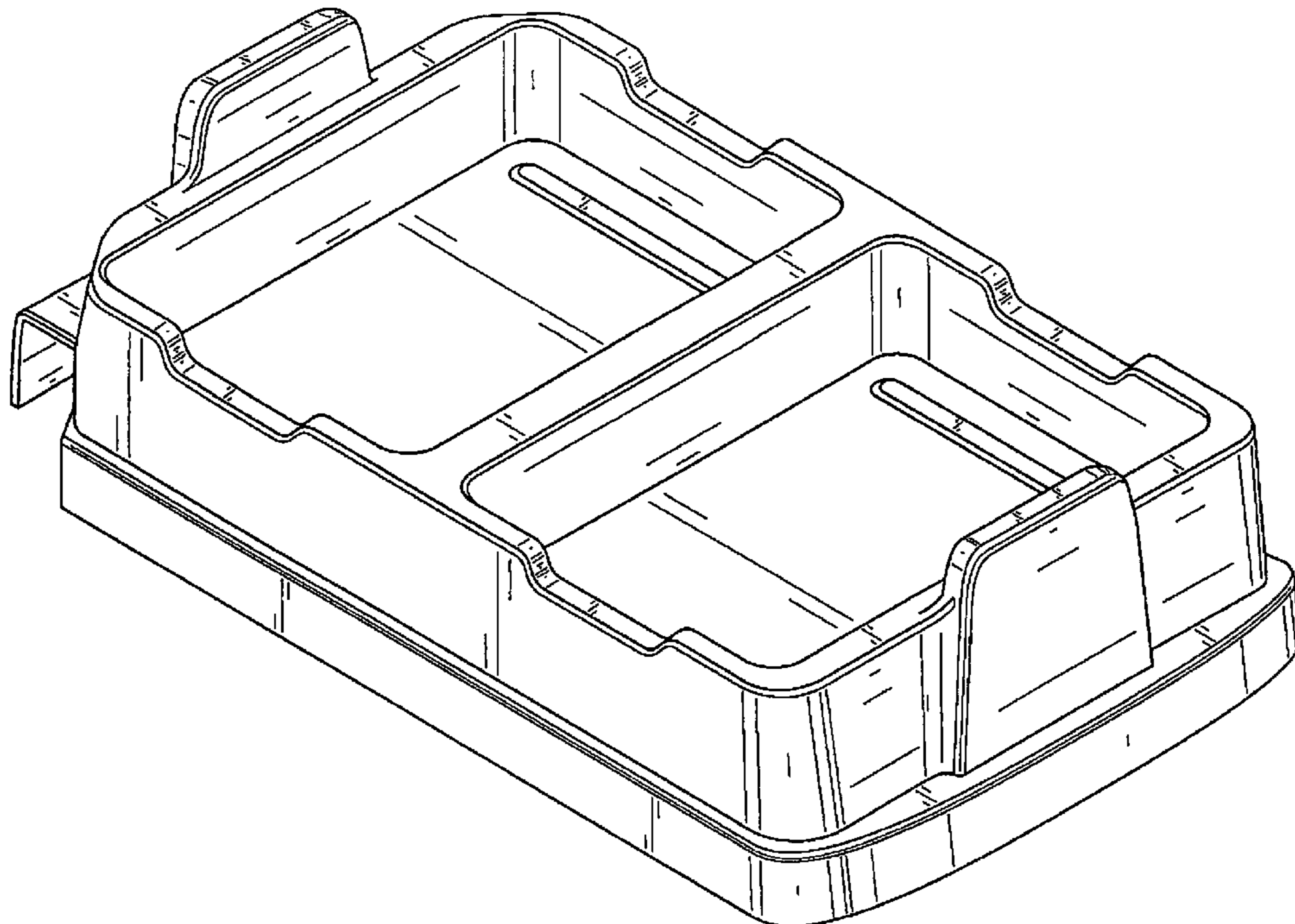
FIG. 4 is a side view of a cart conversion attachment embodying our design.

FIG. 5 is an alternative side view rotated 180° from that depicted in FIG. 4 embodying our design.

FIG. 6 is a top view of a cart conversion attachment embodying our design; and,

FIG. 7 is a bottom view of a cart conversion attachment embodying our design.

**1 Claim, 7 Drawing Sheets**



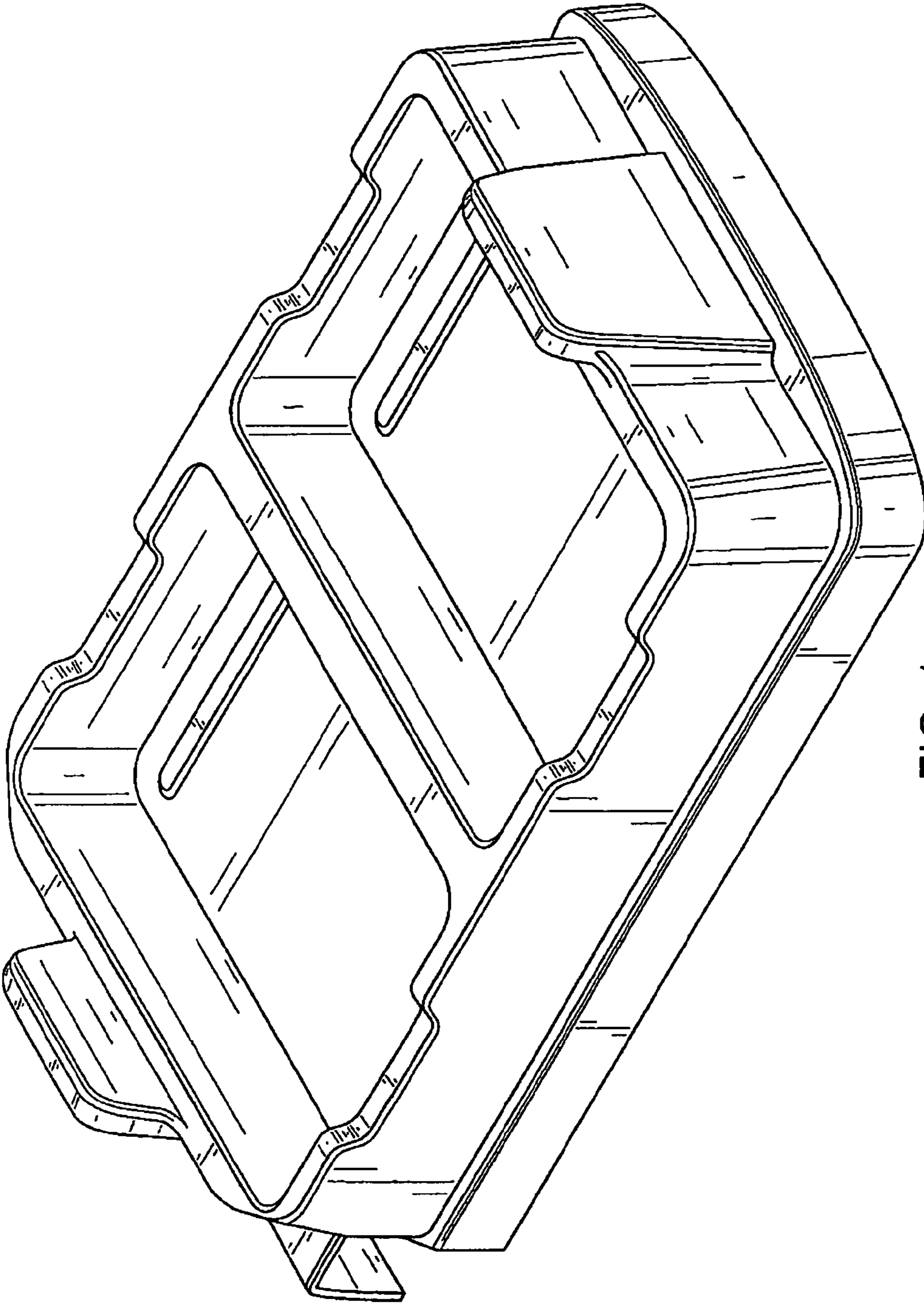


FIG. 1

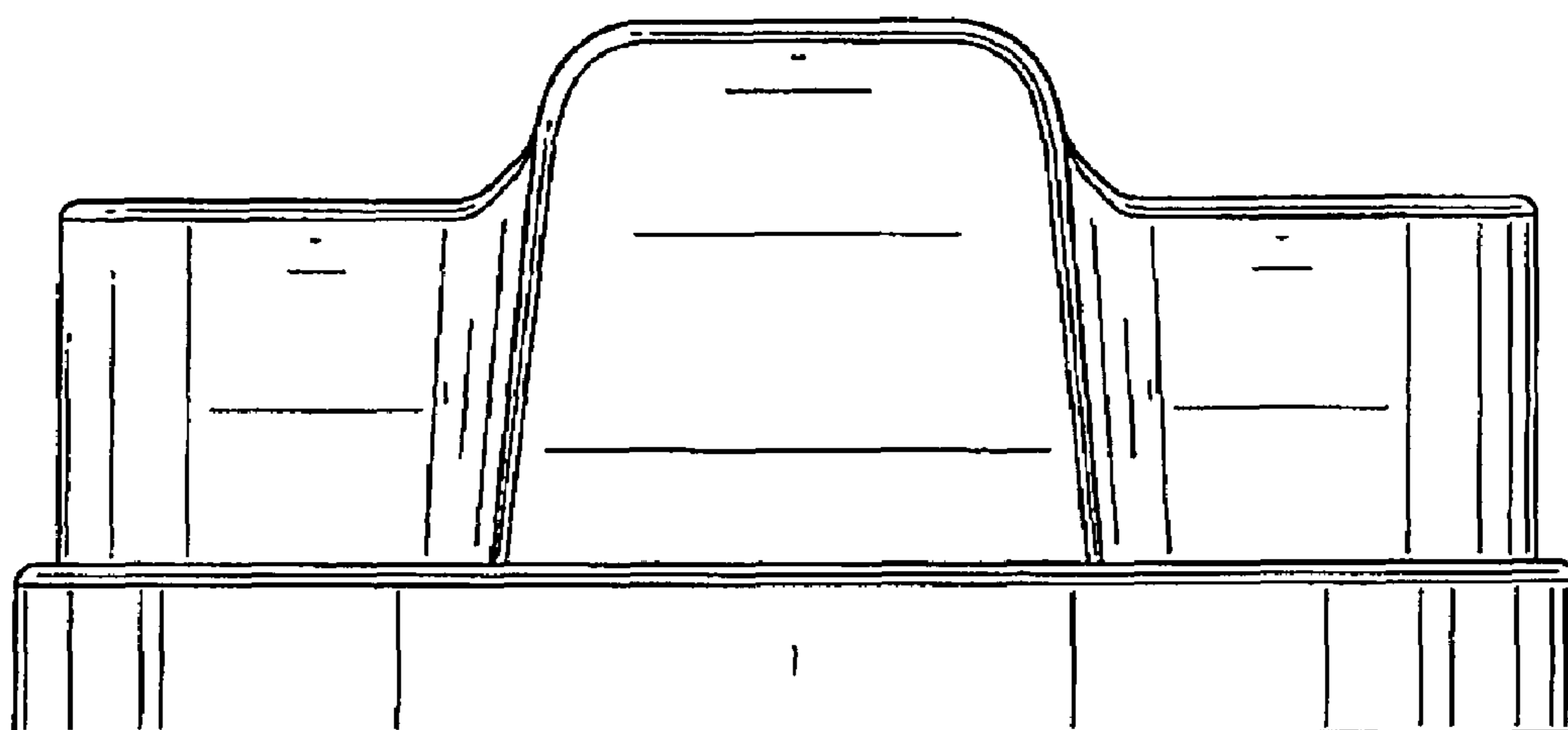


FIG. 2

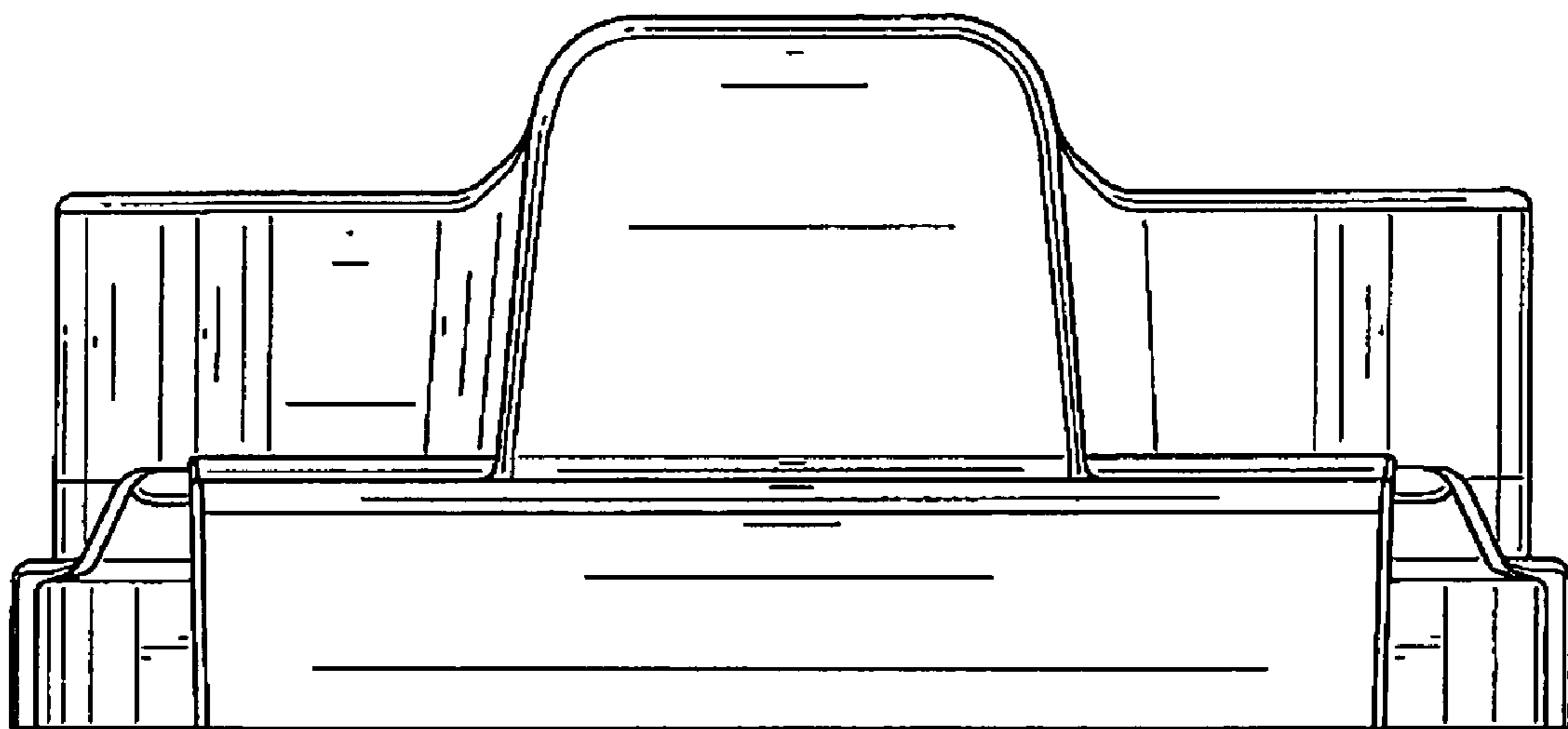


FIG. 3

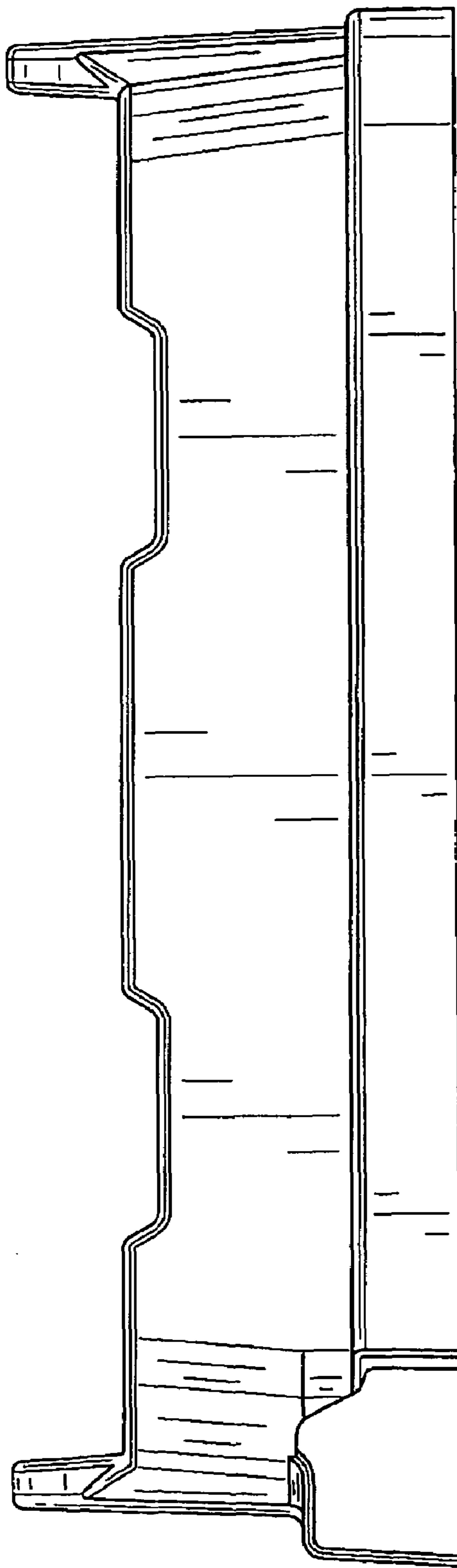


FIG. 4

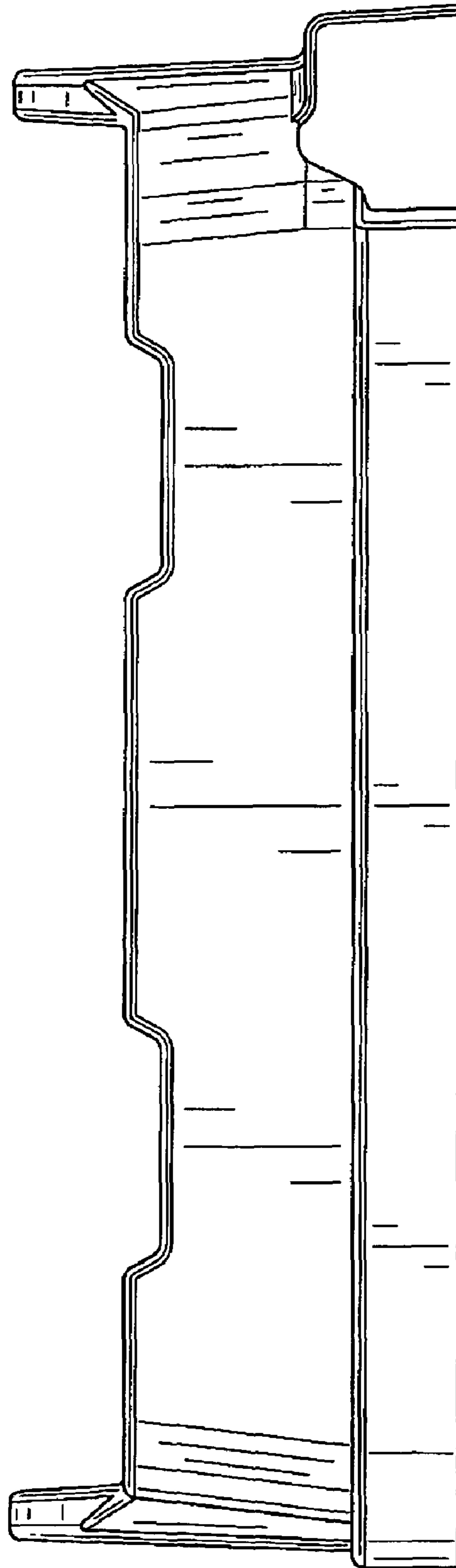


FIG. 5

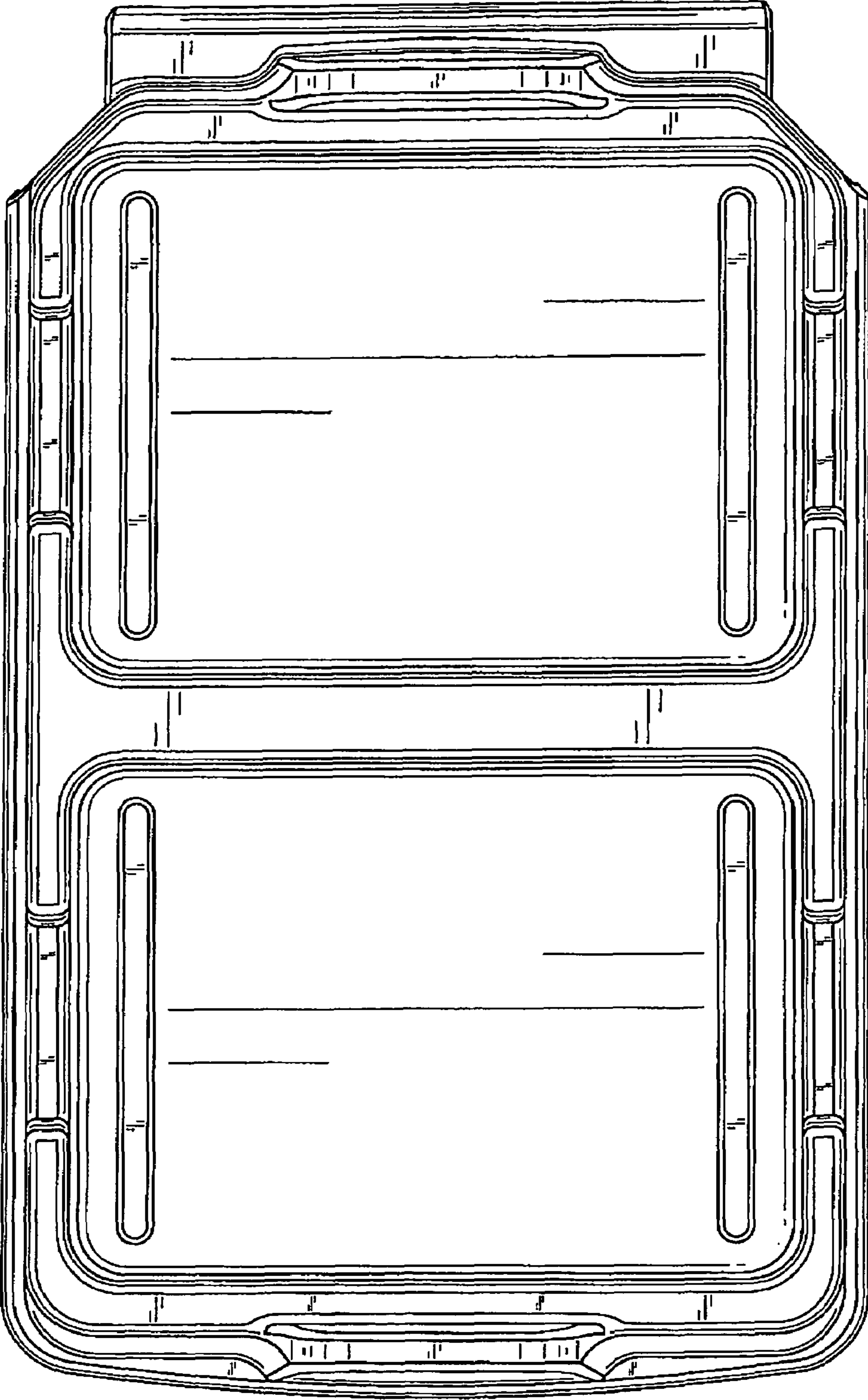


FIG. 6

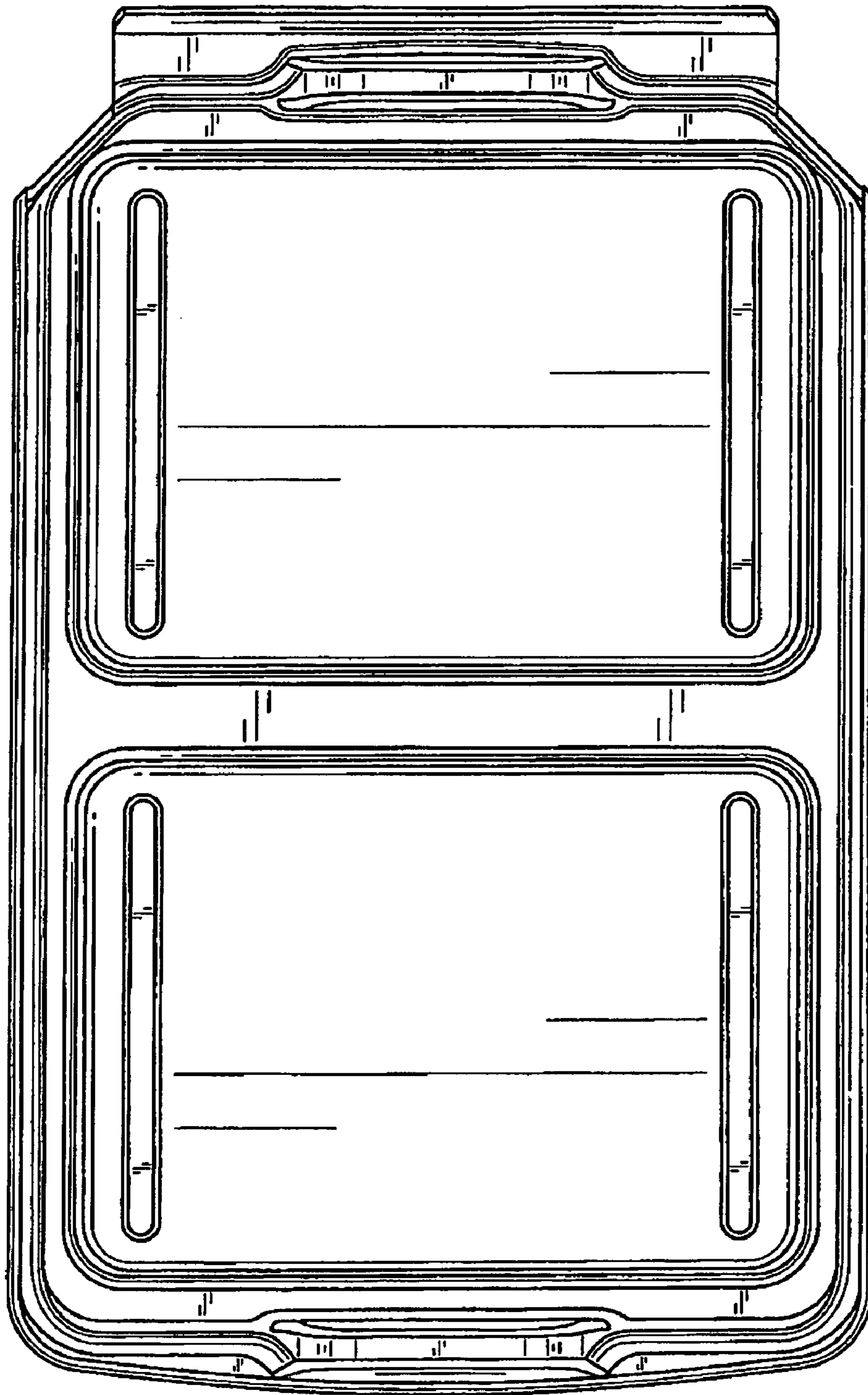


FIG. 7