



US00D599522S

(12) **United States Design Patent**  
**Wu**

(10) **Patent No.:** **US D599,522 S**  
(45) **Date of Patent:** **\*\* Sep. 1, 2009**

(54) **GOLF CART**

(75) Inventor: **Fang-Li Wu**, Tainan Hsien (TW)

(73) Assignee: **Sports World Enterprise Co., Ltd.**,  
Tainan Hsien (TW)

(\*\*) Term: **14 Years**

(21) Appl. No.: **29/309,870**

(22) Filed: **Oct. 30, 2008**

(51) **LOC (9) Cl.** ..... **12-13**

(52) **U.S. Cl.** ..... **D34/15**

(58) **Field of Classification Search** ..... D34/12-27;  
280/47.24, 47.26, 654, 79.3, 655, DIG. 5,  
280/DIG. 6

See application file for complete search history.

(56) **References Cited**

**U.S. PATENT DOCUMENTS**

D292,039 S *	9/1987	Moore	.....	D34/15
D448,906 S *	10/2001	Wu	.....	D34/15
D462,152 S *	8/2002	Liao	.....	D34/15
D488,279 S *	4/2004	Wu	.....	D34/15
7,219,920 B2 *	5/2007	Lin	.....	280/651

D574,571 S *	8/2008	Liao	.....	D34/15
D586,522 S *	2/2009	Liao	.....	D34/15
2008/0252027 A1 *	10/2008	Lin	.....	280/47.34

\* cited by examiner

*Primary Examiner*—Cynthia E Ramirez

(74) *Attorney, Agent, or Firm*—Rosenberg, Klein & Lee

(57) **CLAIM**

The ornamental design for a golf cart, as shown and described.

**DESCRIPTION**

FIG. 1 is a perspective view of a golf cart showing my new design;

FIG. 2 is a front elevational view thereof;

FIG. 3 is a rear elevational view thereof;

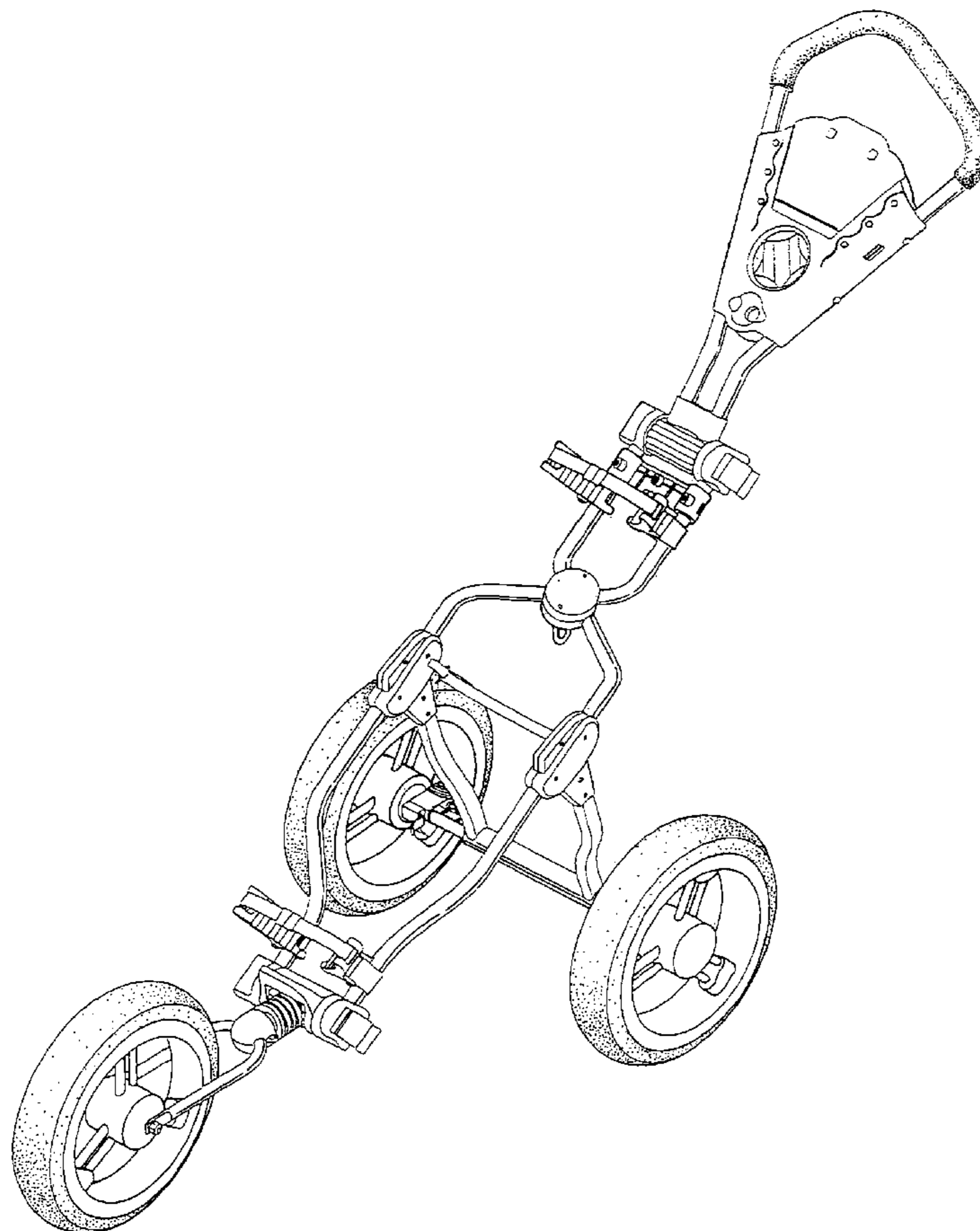
FIG. 4 is a left side elevational view thereof;

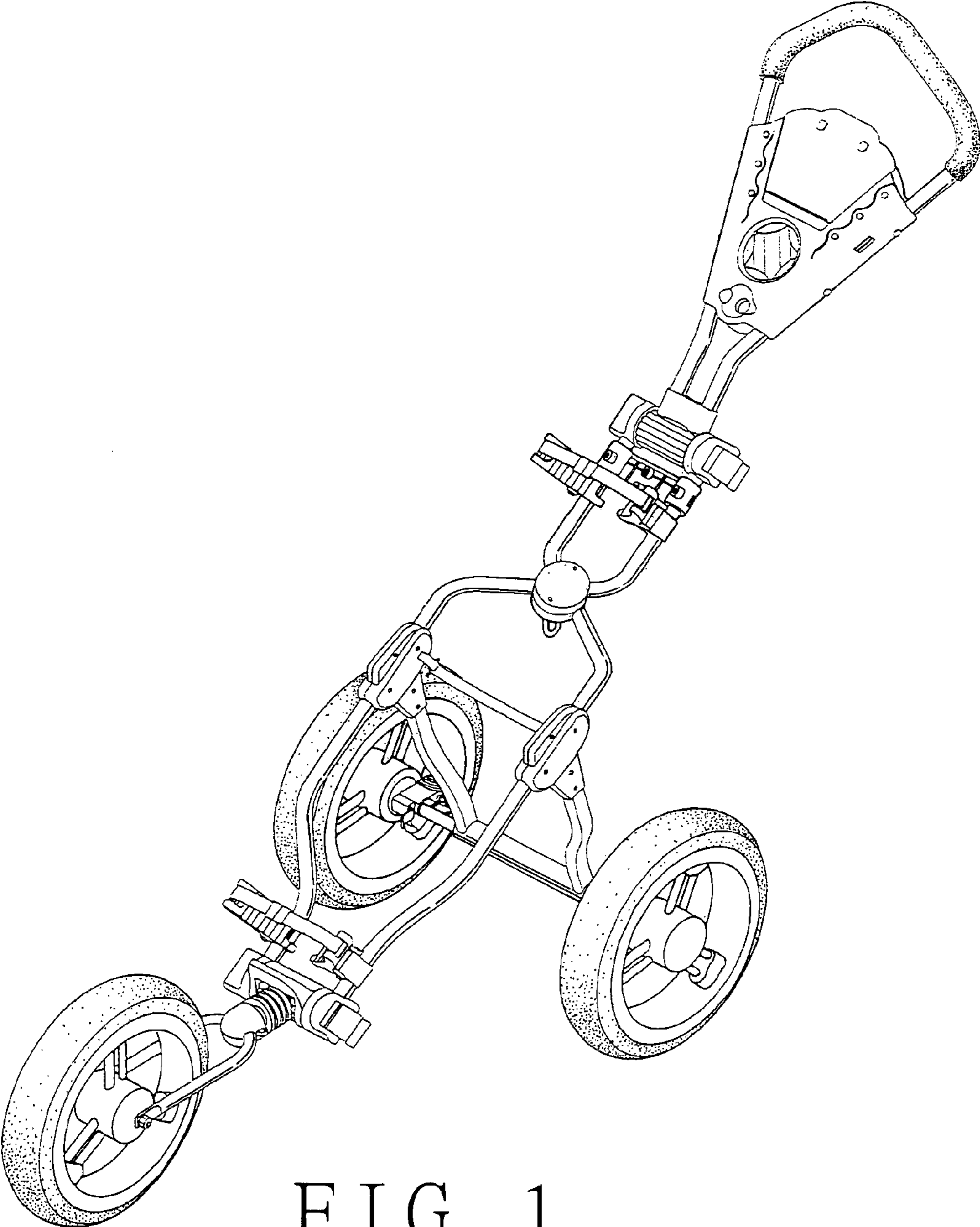
FIG. 5 is a right side elevational view thereof;

FIG. 6 is a top plan view thereof; and,

FIG. 7 is a bottom plan view thereof.

**1 Claim, 7 Drawing Sheets**





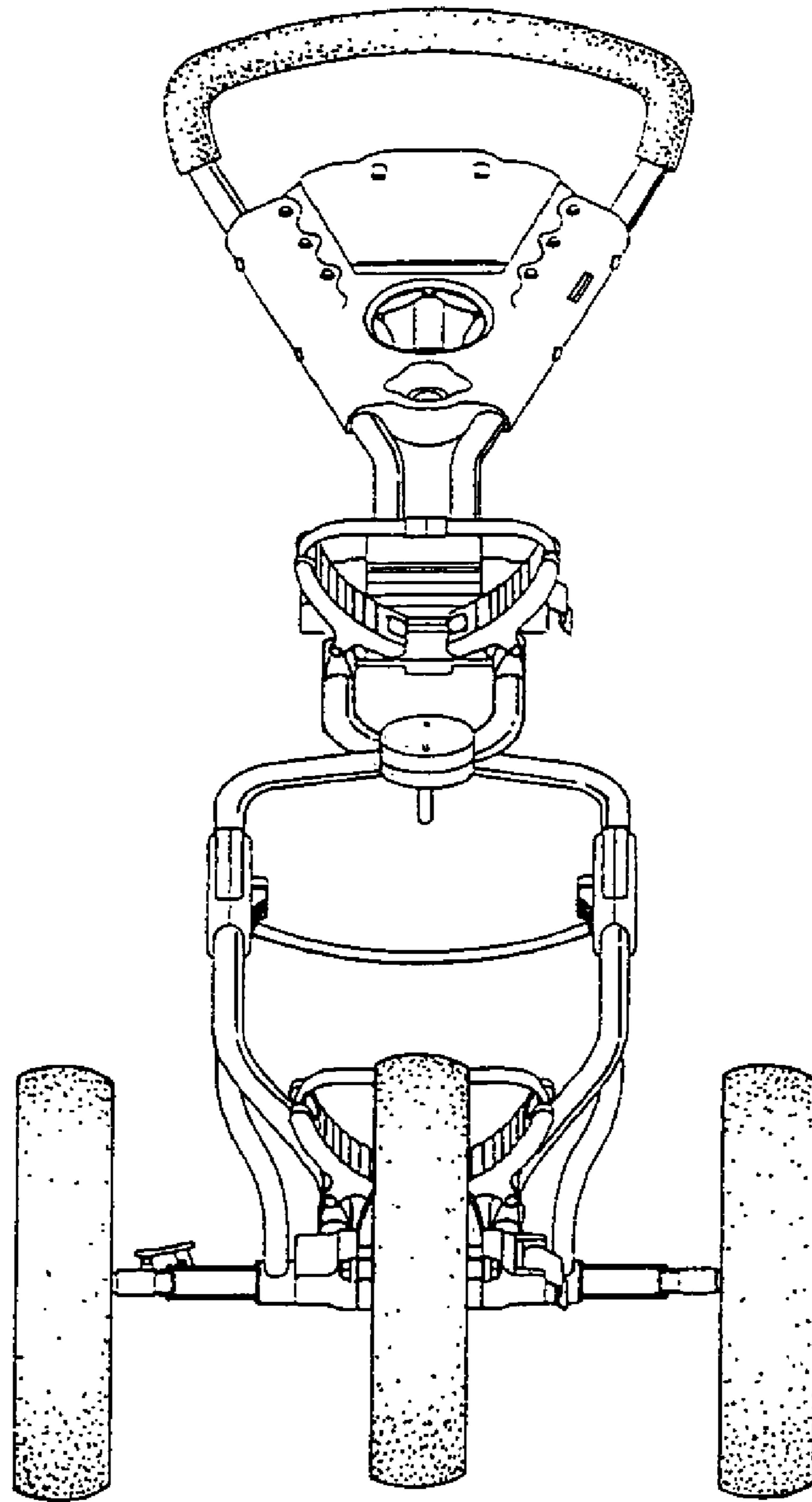


FIG. 2

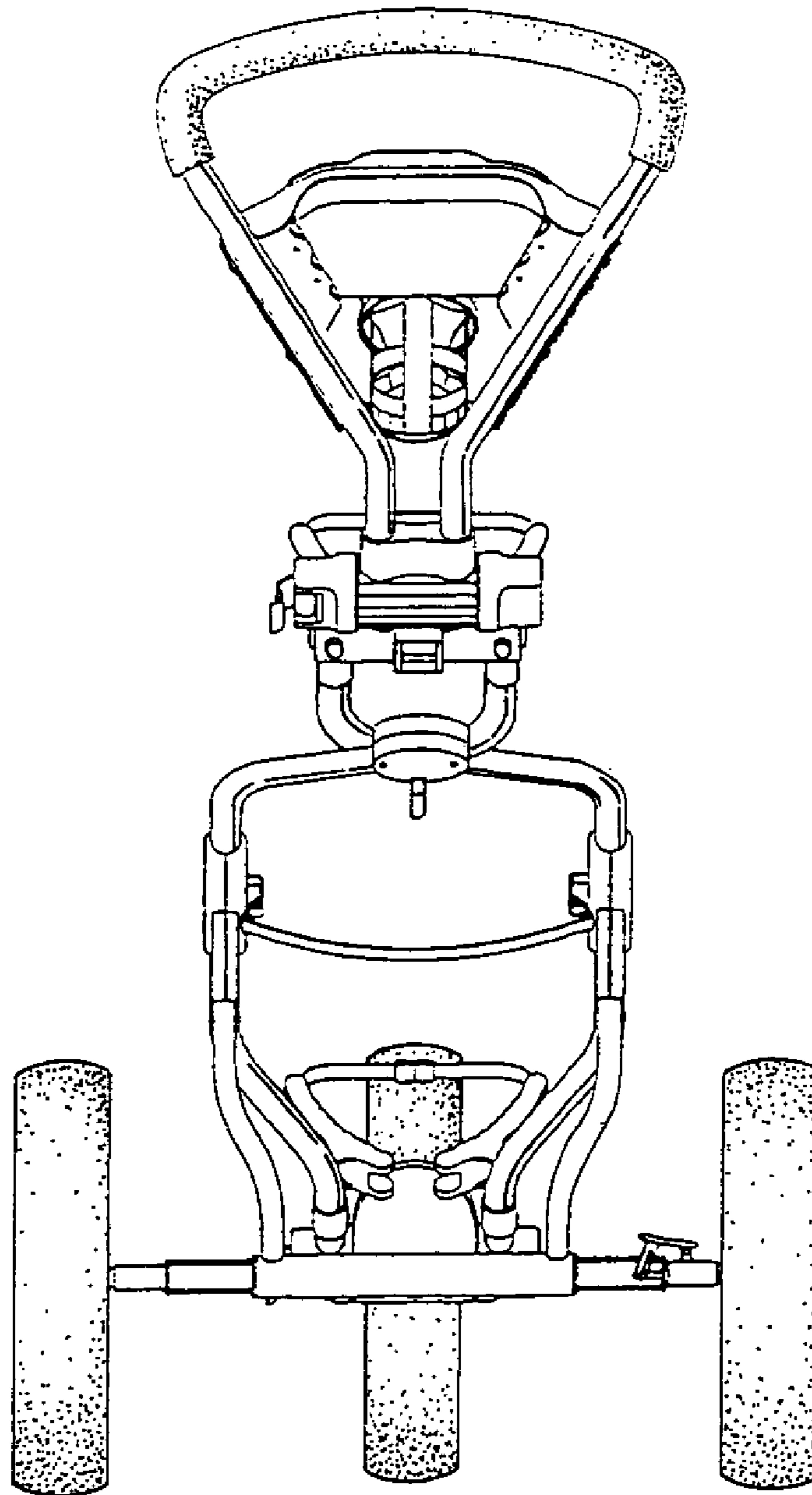


FIG. 3

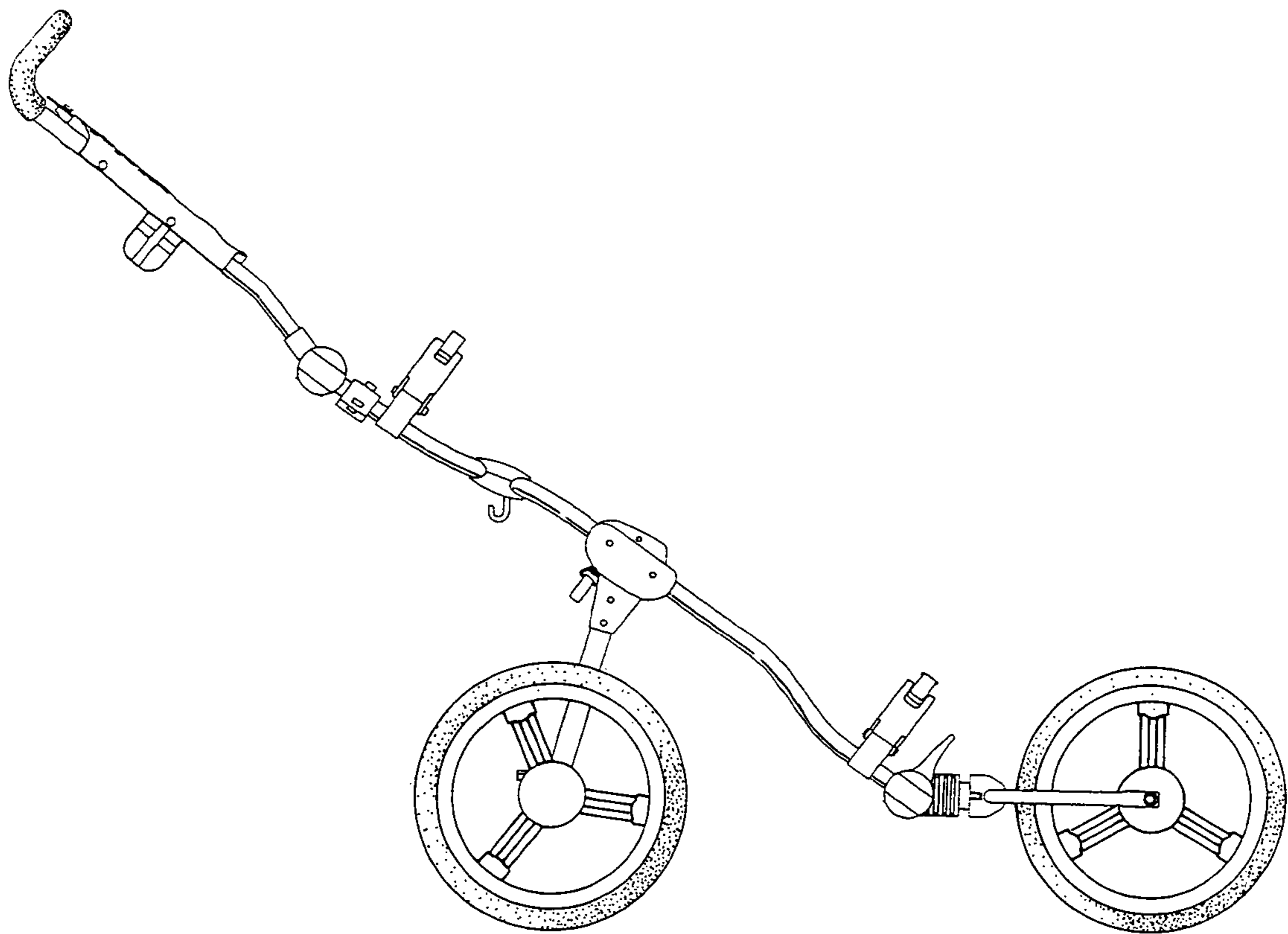


FIG. 4

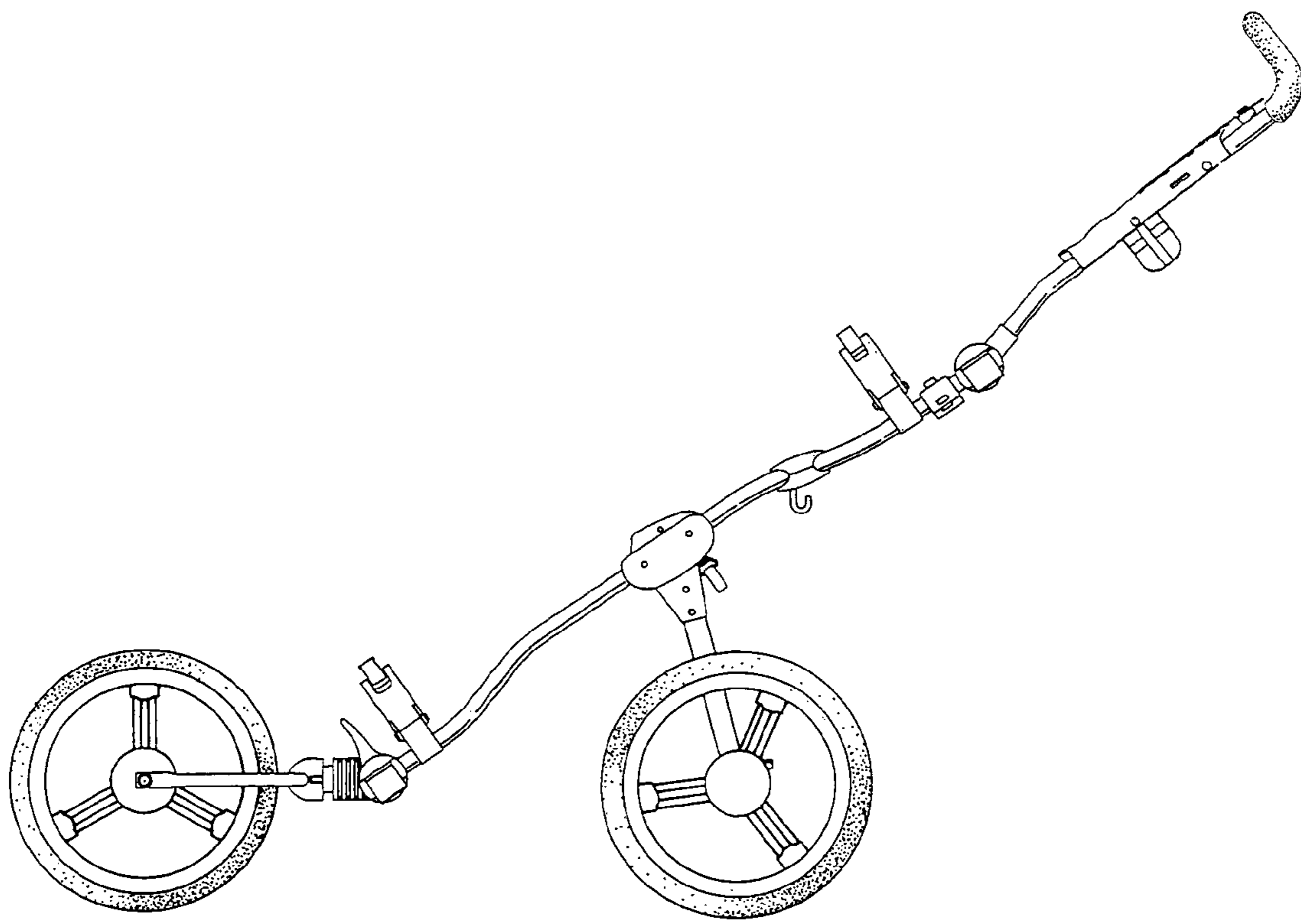


FIG. 5

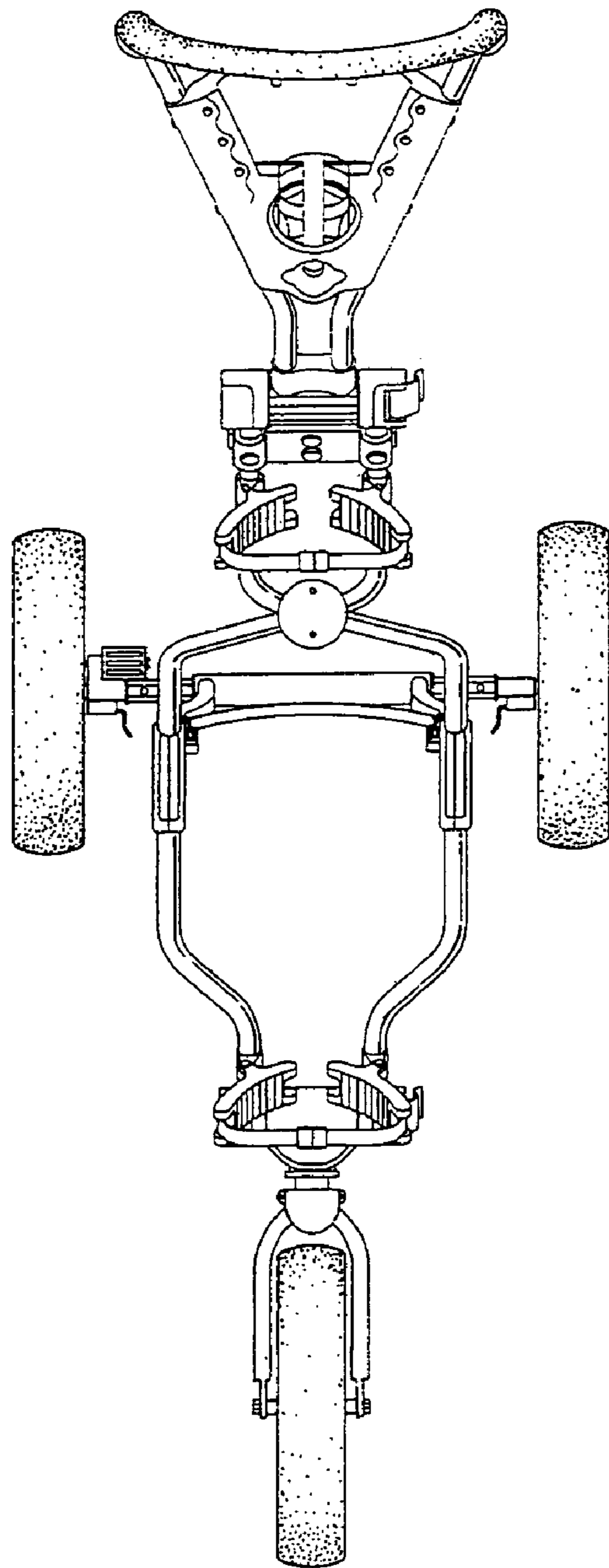


FIG. 6

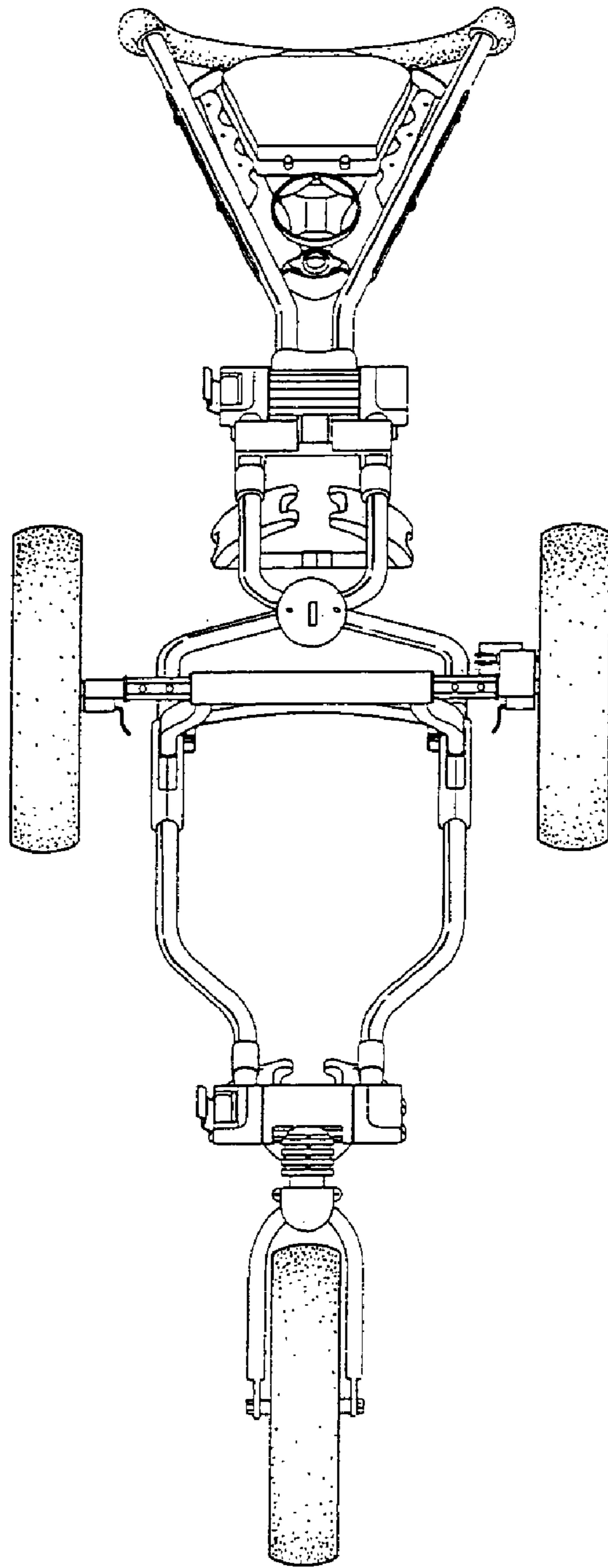


FIG. 7