



US00D599519S

(12) **United States Design Patent**
Cohen

(10) **Patent No.:** **US D599,519 S**
(45) **Date of Patent:** **** Sep. 1, 2009**

(54) **COMBINED DISH RACK AND CUTLERY HOLDER**

(75) Inventor: **Neil Cohen**, New York, NY (US)

(73) Assignee: **Better Houseware Corp.**, Long Island City, NY (US)

(**) Term: **14 Years**

(21) Appl. No.: **29/320,164**

(22) Filed: **Jun. 23, 2008**

(51) **LOC (9) Cl.** **07-05**

(52) **U.S. Cl.** **D32/55; D32/58**

(58) **Field of Classification Search** **D32/55-57;**
D6/411, 462, 553; D7/678; 4/656-657;
211/41.1-41.5, 12, 13.1, 71, 74, 85.25-85.26;
248/95, 97, 99-100

See application file for complete search history.

(56) **References Cited**

U.S. PATENT DOCUMENTS

3,025,967	A *	3/1962	Christophersen	211/41.5
4,327,448	A *	5/1982	Lunt	2/404
4,589,150	A *	5/1986	Sciabarassi	4/656
D321,771	S *	11/1991	Cavicchia	D32/55
5,109,990	A *	5/1992	Murphy et al.	211/41.3
5,188,244	A *	2/1993	Hollstegge	211/85.15
D347,717	S *	6/1994	Chapin	D32/55
D369,002	S *	4/1996	Pratt	D32/55
D408,603	S *	4/1999	Haley	D32/55
D413,034	S *	8/1999	Markson	D6/553
6,543,069	B1 *	4/2003	Nelson	4/656

OTHER PUBLICATIONS

Marc Newson, "Dish Doctor" Dish-Rack, 1998, at www.magisdesign.com/#/products/8/79/open.

* cited by examiner

Primary Examiner—Pamela J Burgess
(74) *Attorney, Agent, or Firm*—Brian Roffe

(57) **CLAIM**

The new, original and ornamental design for a combined dish rack and cutlery holder, as shown and described.

DESCRIPTION

FIG. 1 is a front, left side perspective view of a combined dish rack and cutlery holder showing my new design in which the cutlery holder is arranged on the dish rack;

FIG. 2 is a top plan view thereof;

FIG. 3 is a front elevational view thereof, the rear elevational view thereof being a substantial mirror image;

FIG. 4 is a left side elevational view thereof;

FIG. 5 is a right side elevational view thereof;

FIG. 6 is a bottom plan view thereof;

FIG. 7 is a front, left side perspective view of a second embodiment of a combined dish rack and cutlery holder showing my new design;

FIG. 8 is a top plan view thereof;

FIG. 9 is a front elevational view thereof, the rear elevational view thereof being a substantial mirror image;

FIG. 10 is a left side elevational view thereof;

FIG. 11 is a right side elevational view thereof;

FIG. 12 is a bottom plan view thereof; and

FIG. 13 is a front, left side perspective view of FIG. 1, with the cutlery holder removed for clarity of disclosure;

FIG. 14 is a top plan view thereof;

FIG. 15 is a front elevational view thereof, the rear elevational view thereof being a substantial mirror image;

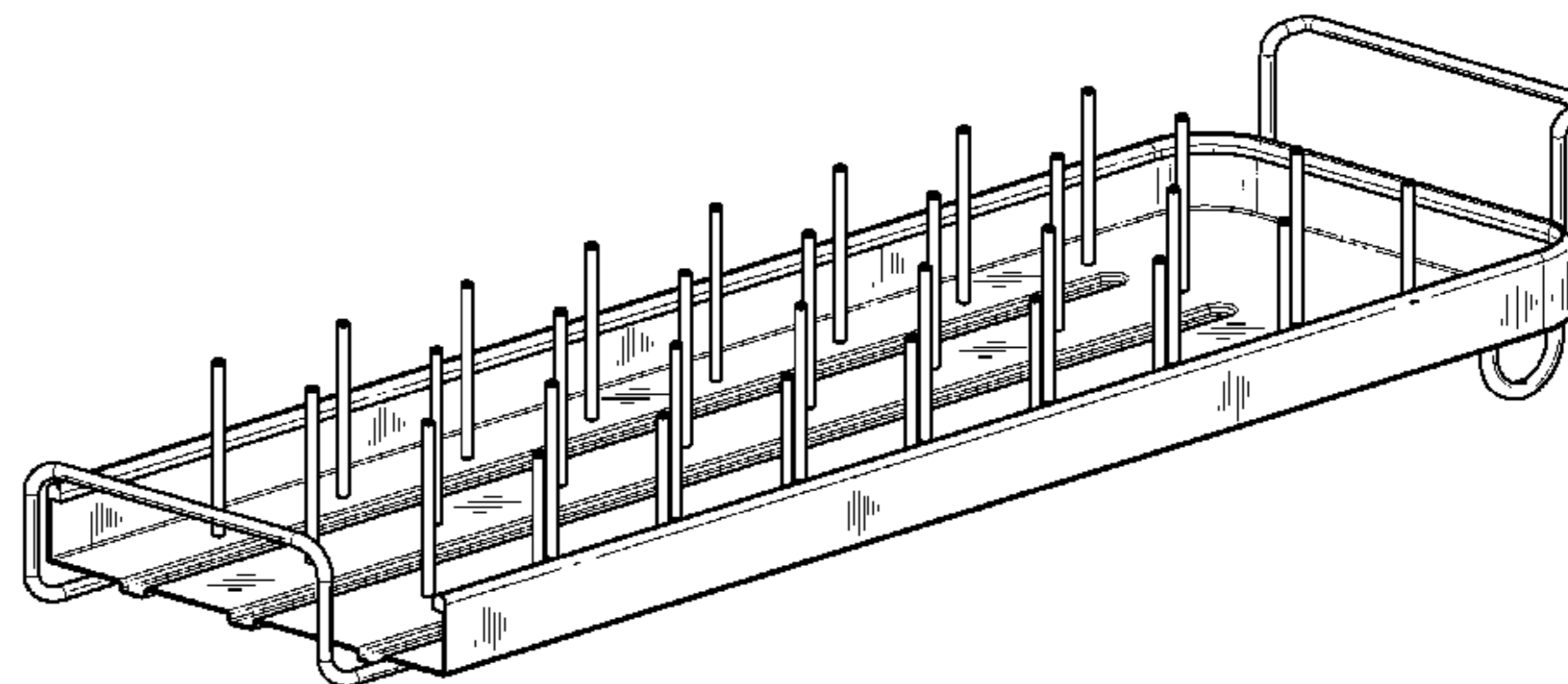
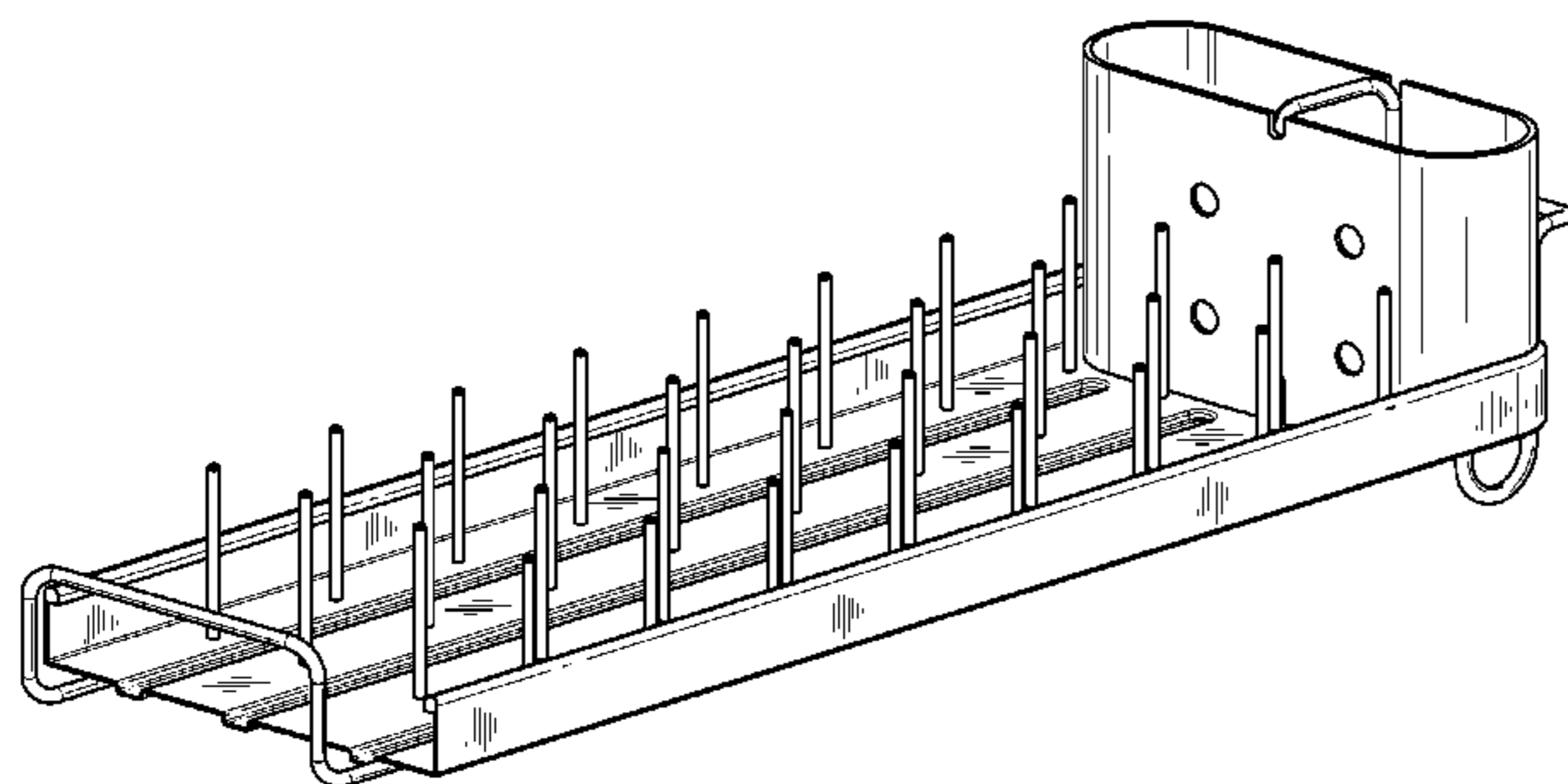
FIG. 16 is a left side elevational view thereof;

FIG. 17 is a right side elevational view thereof; and,

FIG. 18 is a bottom plan view thereof.

The broken lines shown in the drawings are for illustrative purposes and form no part of the claimed design.

1 Claim, 9 Drawing Sheets



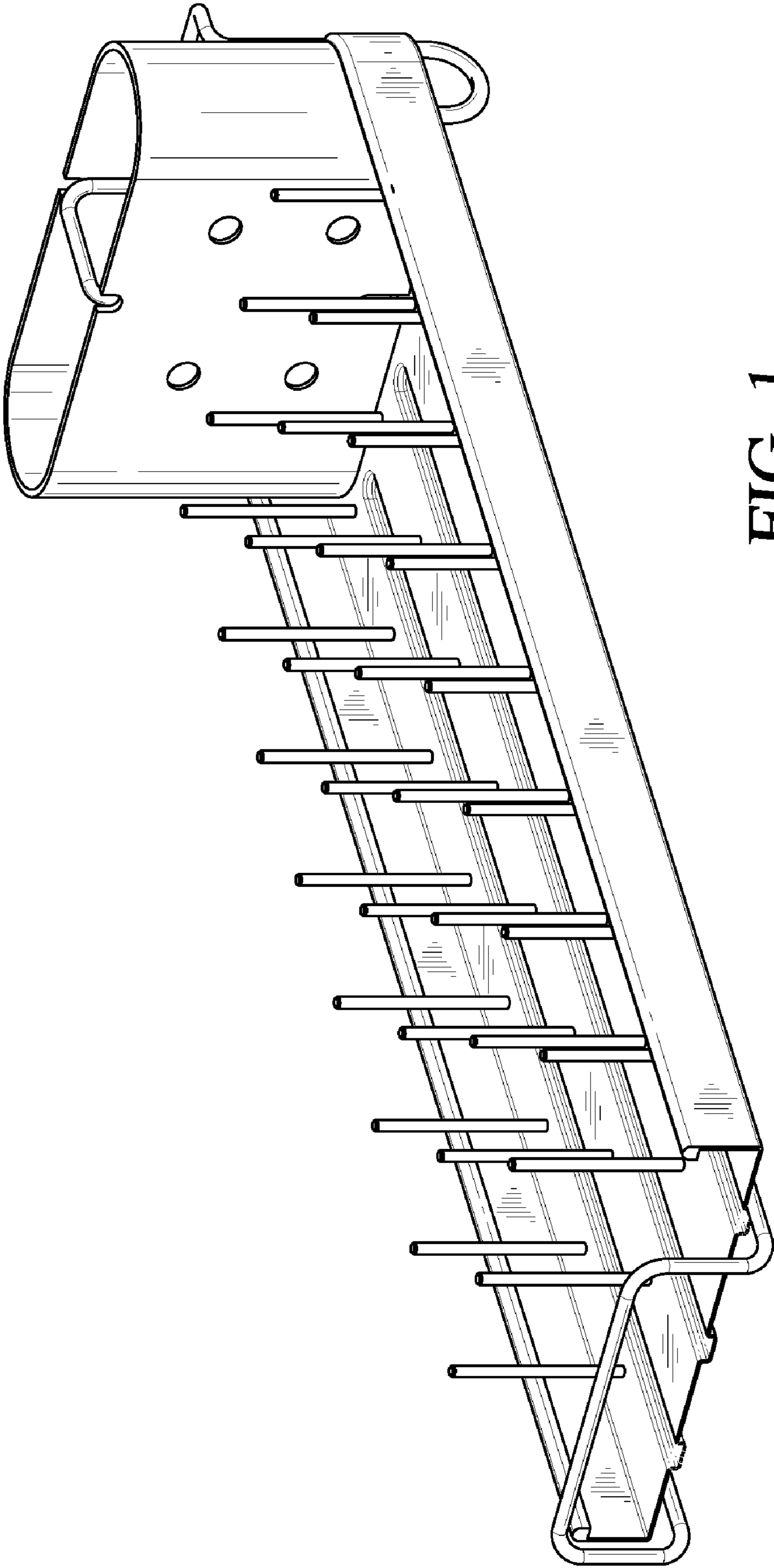


FIG. 1

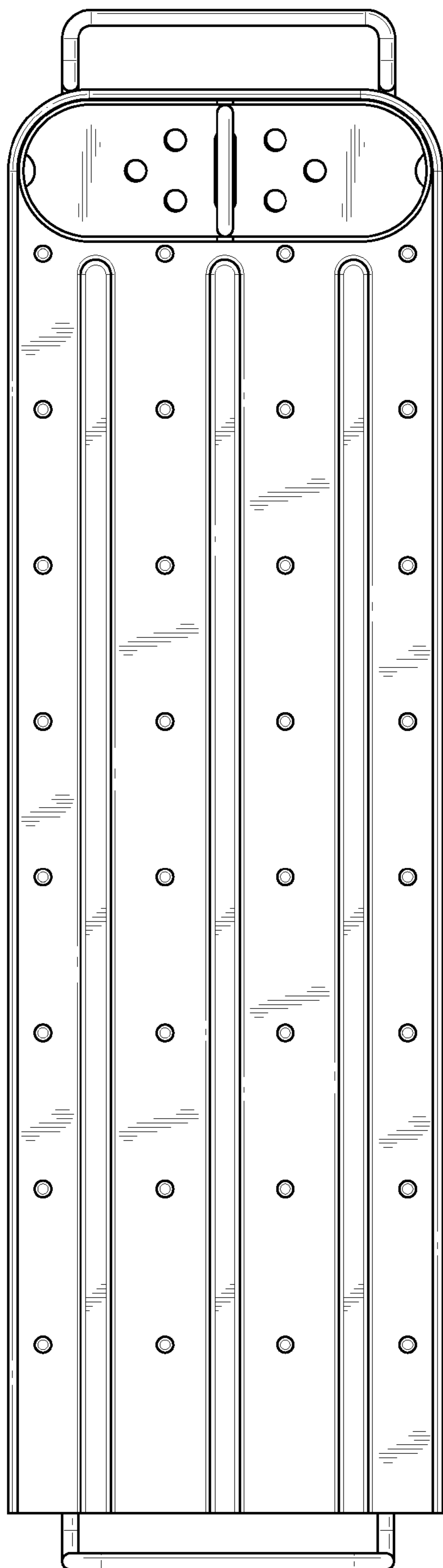


FIG. 2

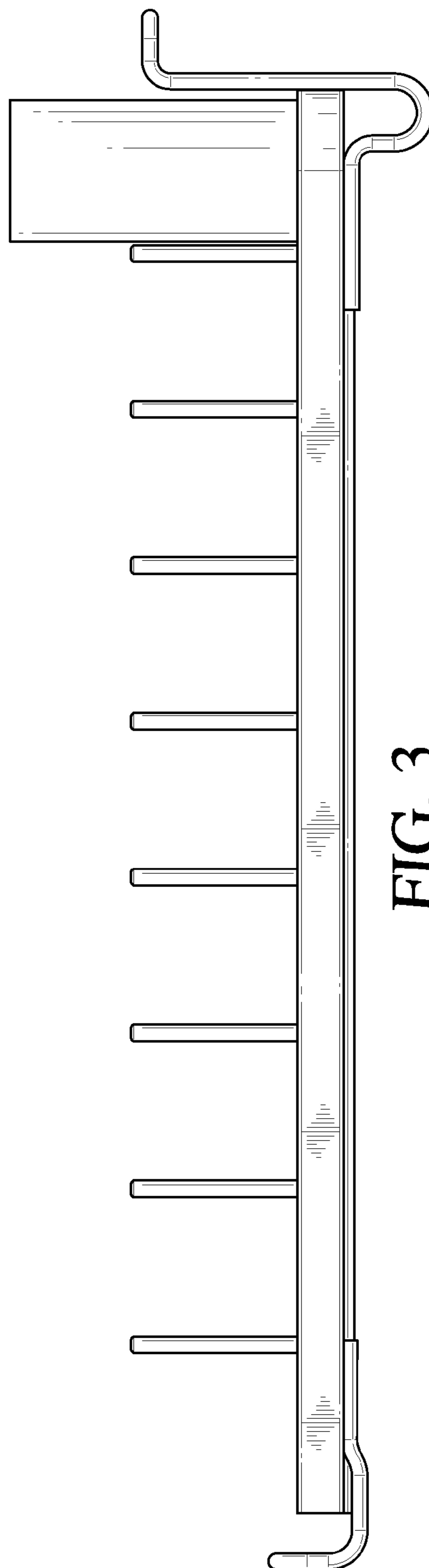


FIG. 3

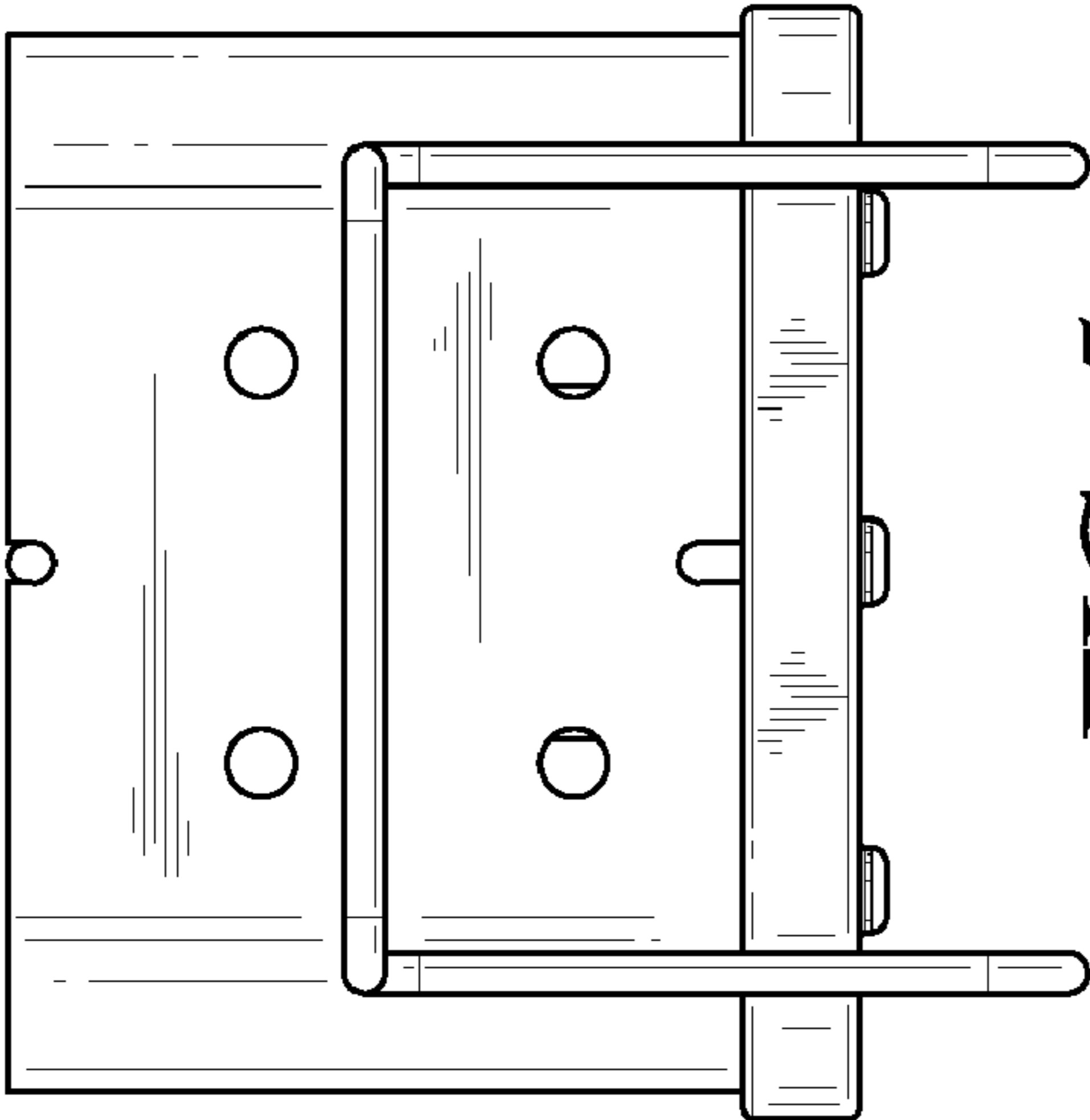


FIG. 4

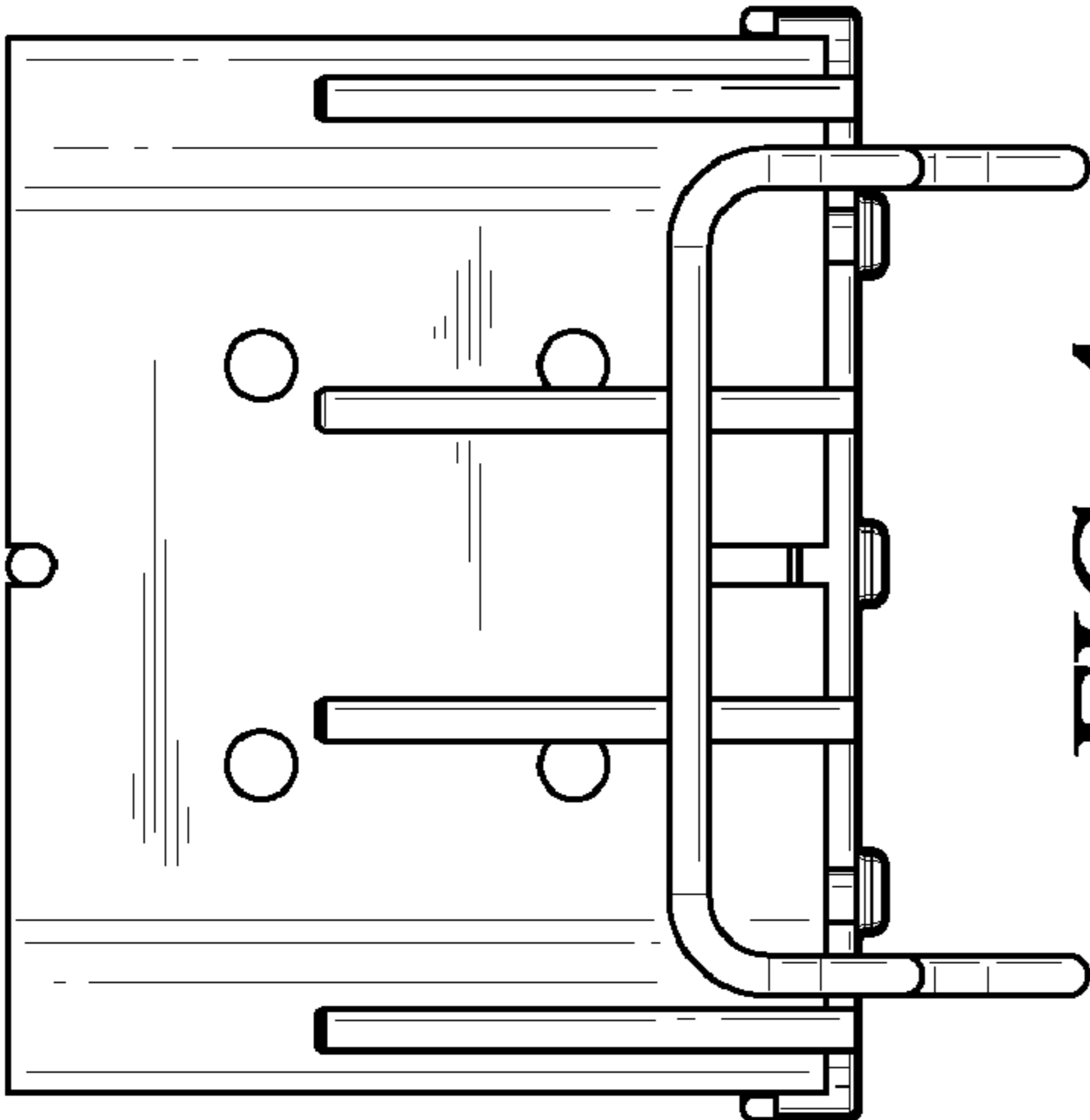


FIG. 5

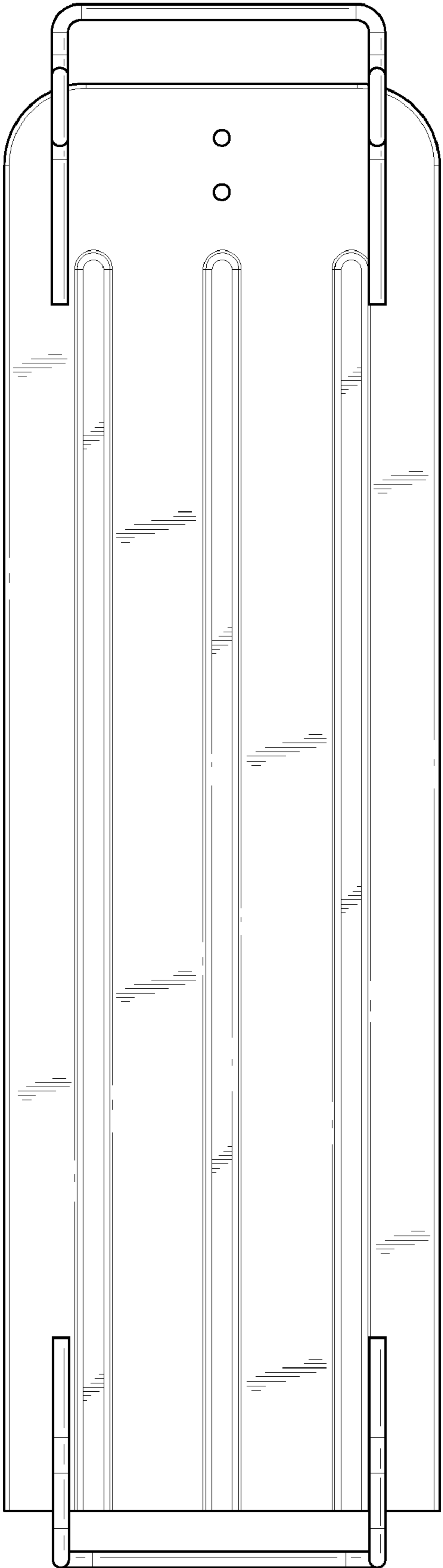


FIG. 6

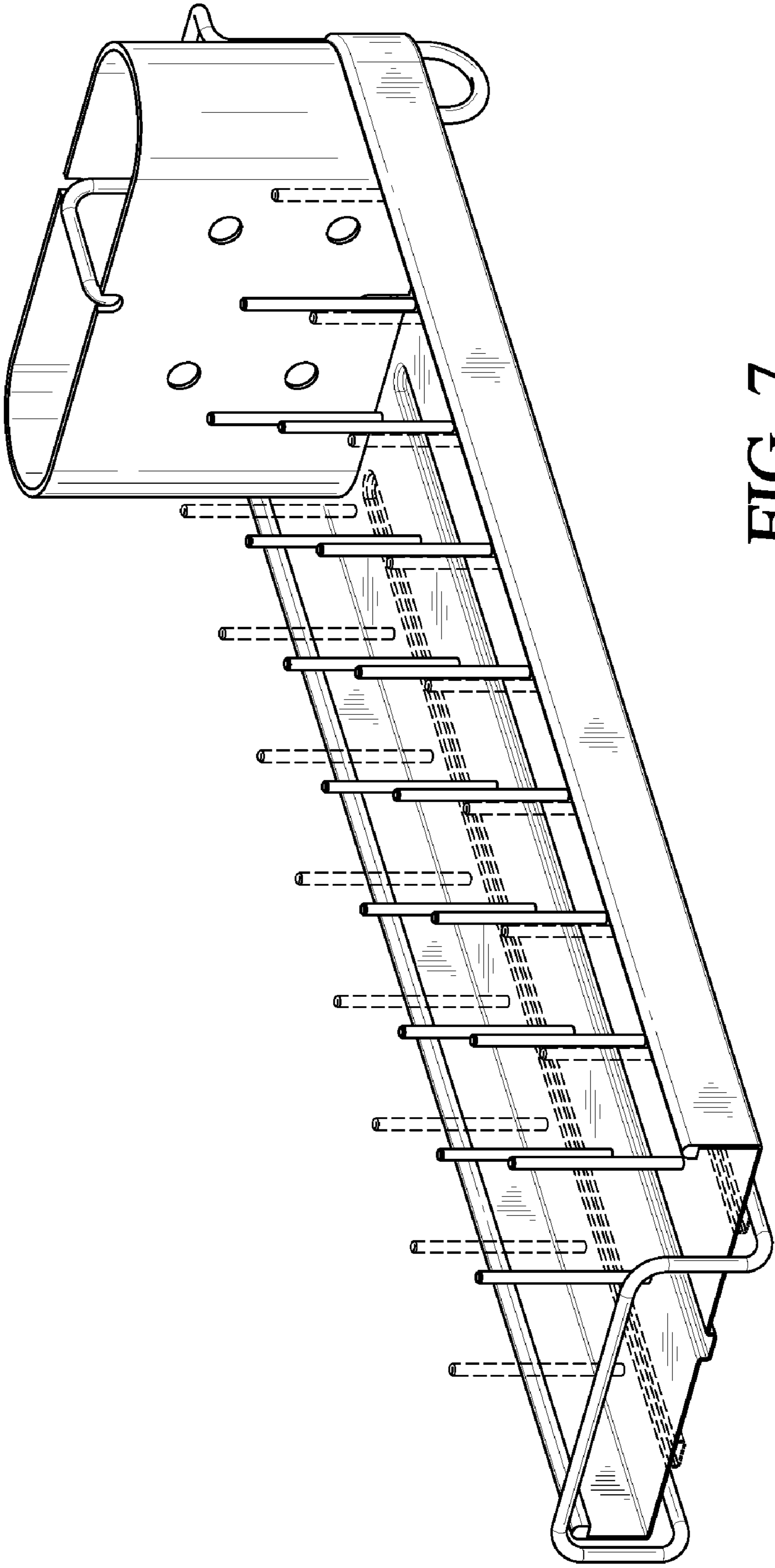


FIG. 7

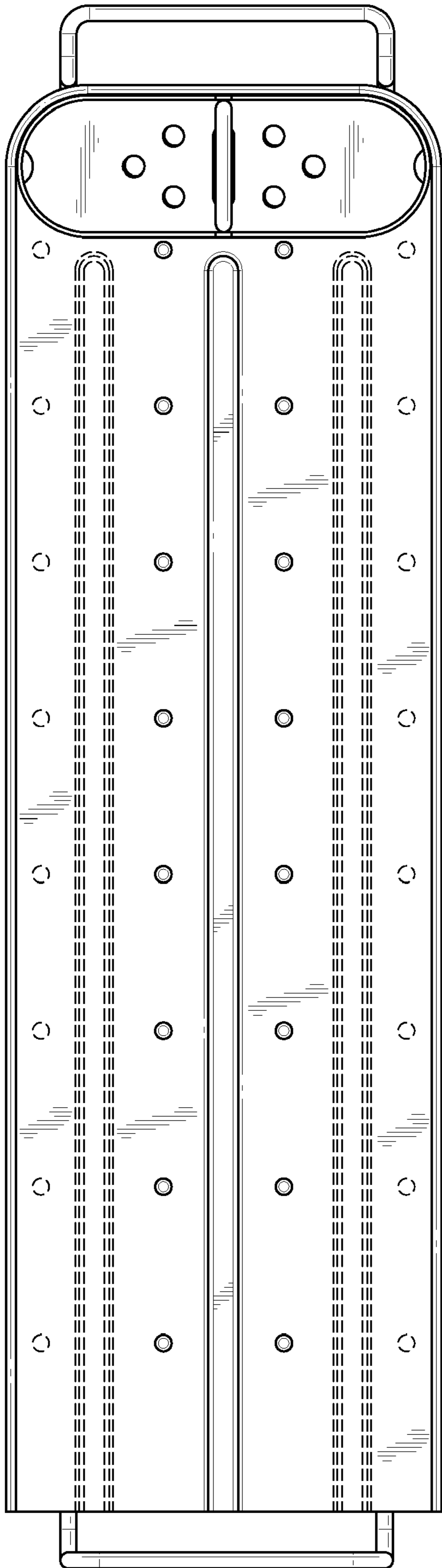


FIG. 8

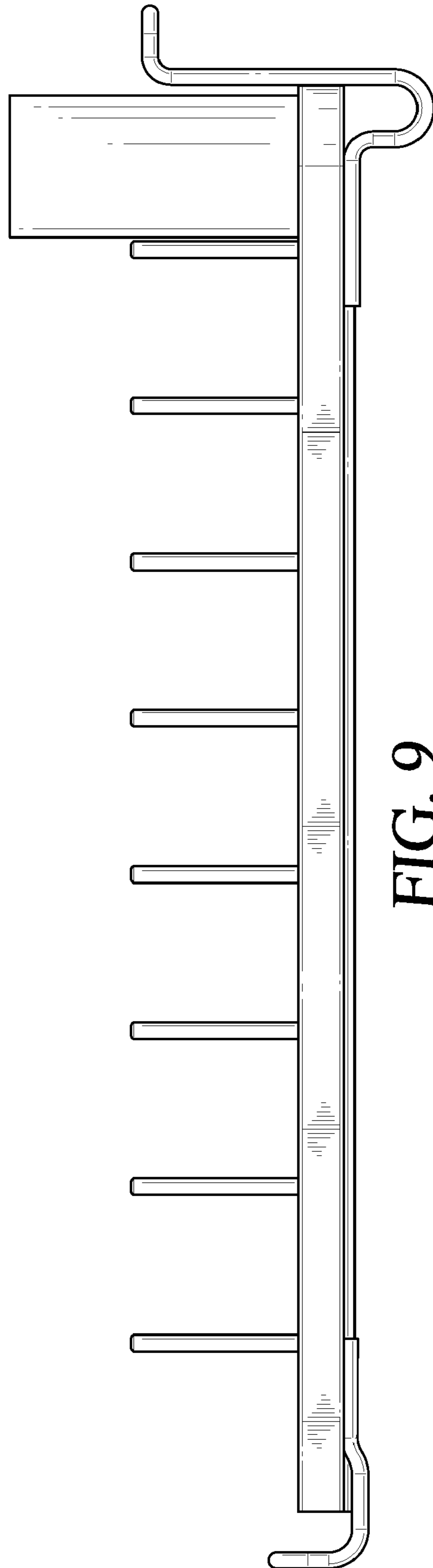


FIG. 9

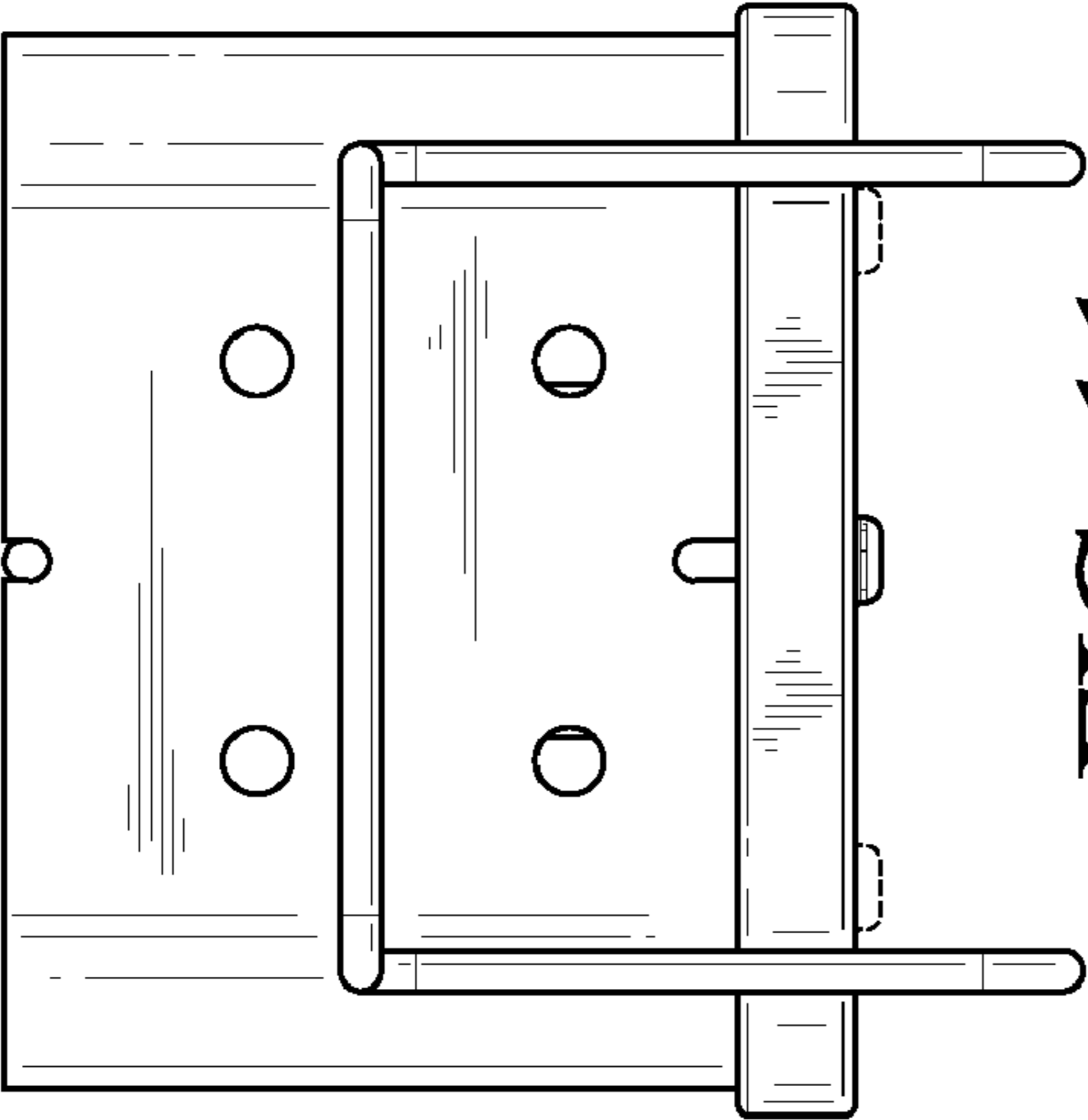


FIG. 10

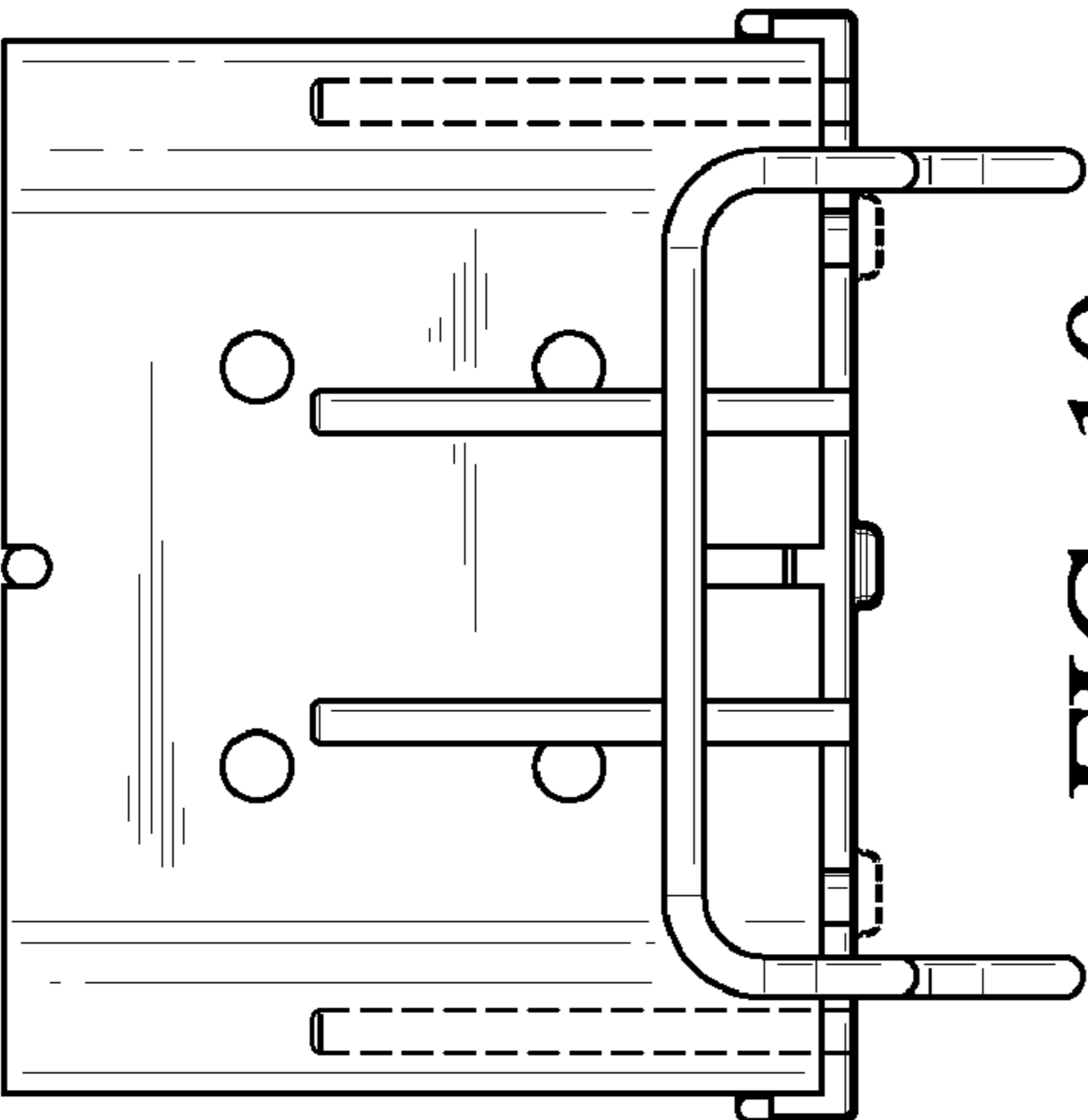


FIG. 11

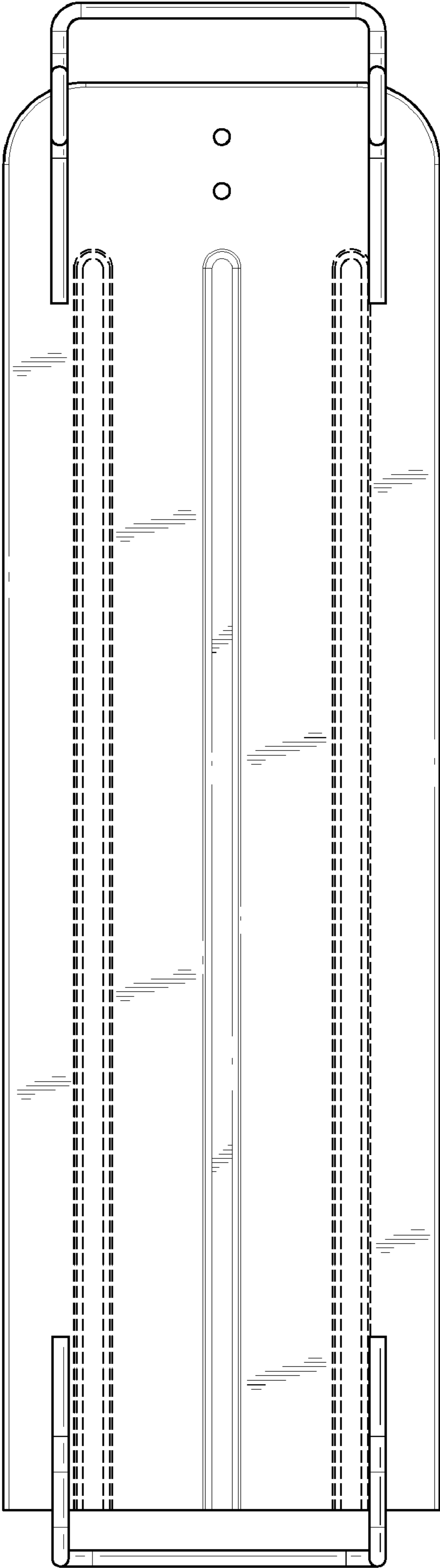


FIG. 12

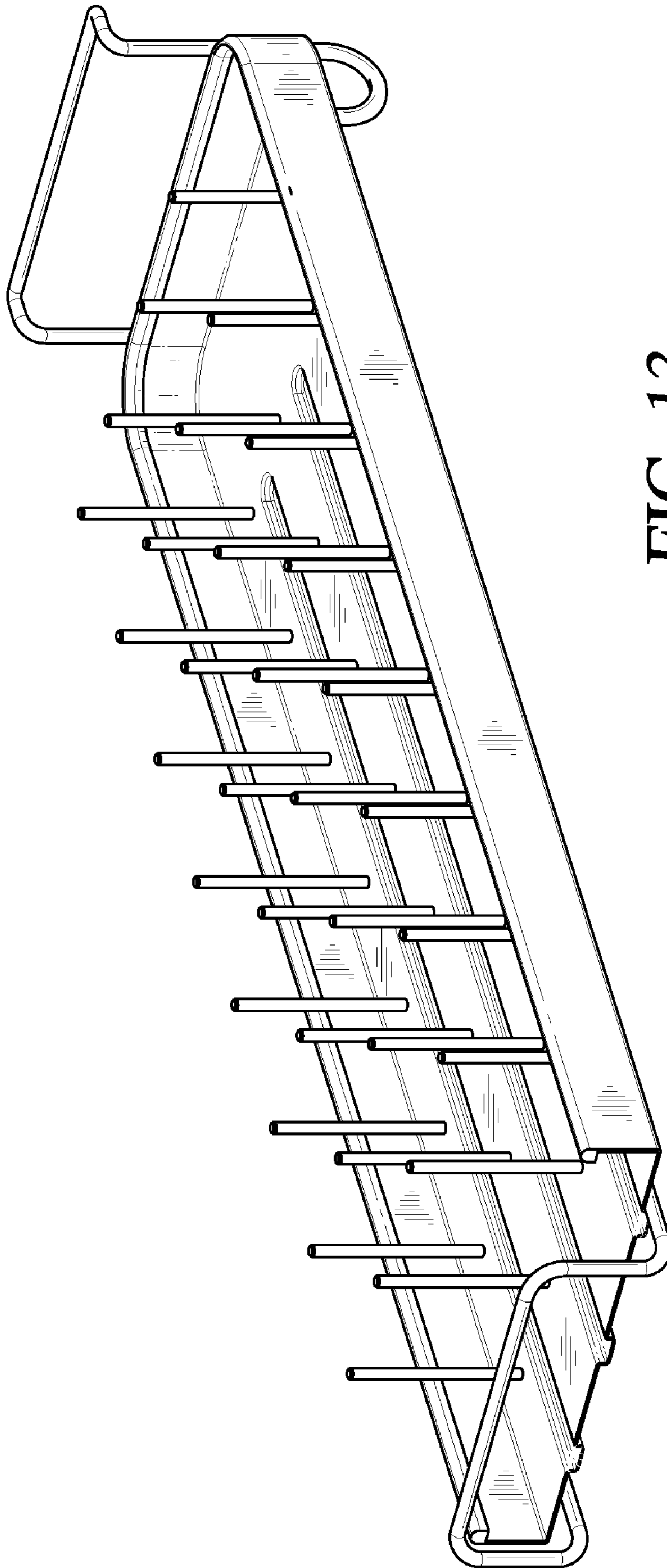


FIG. 13

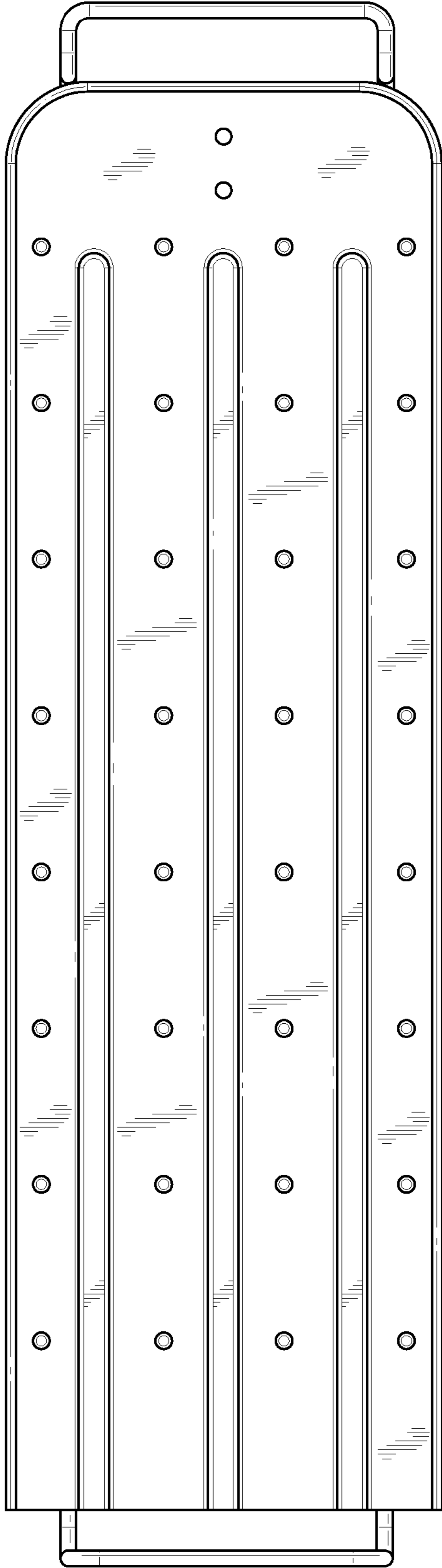


FIG. 14

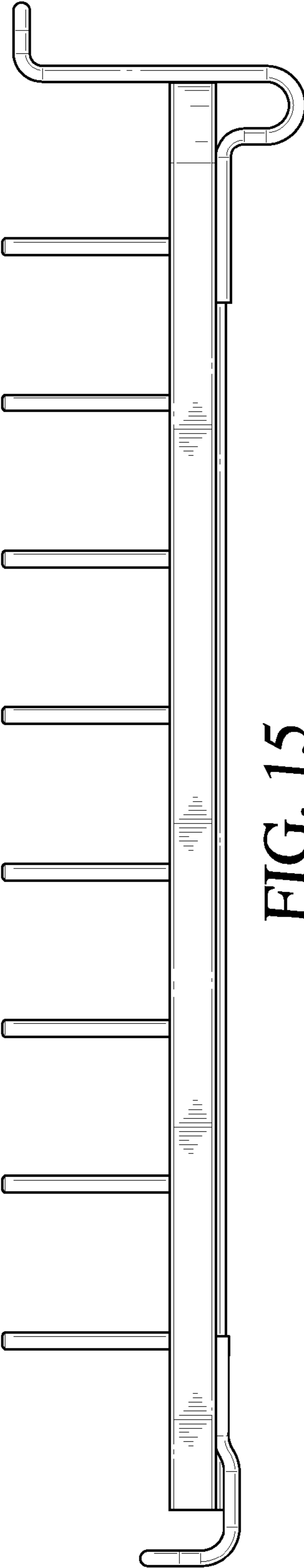


FIG. 15

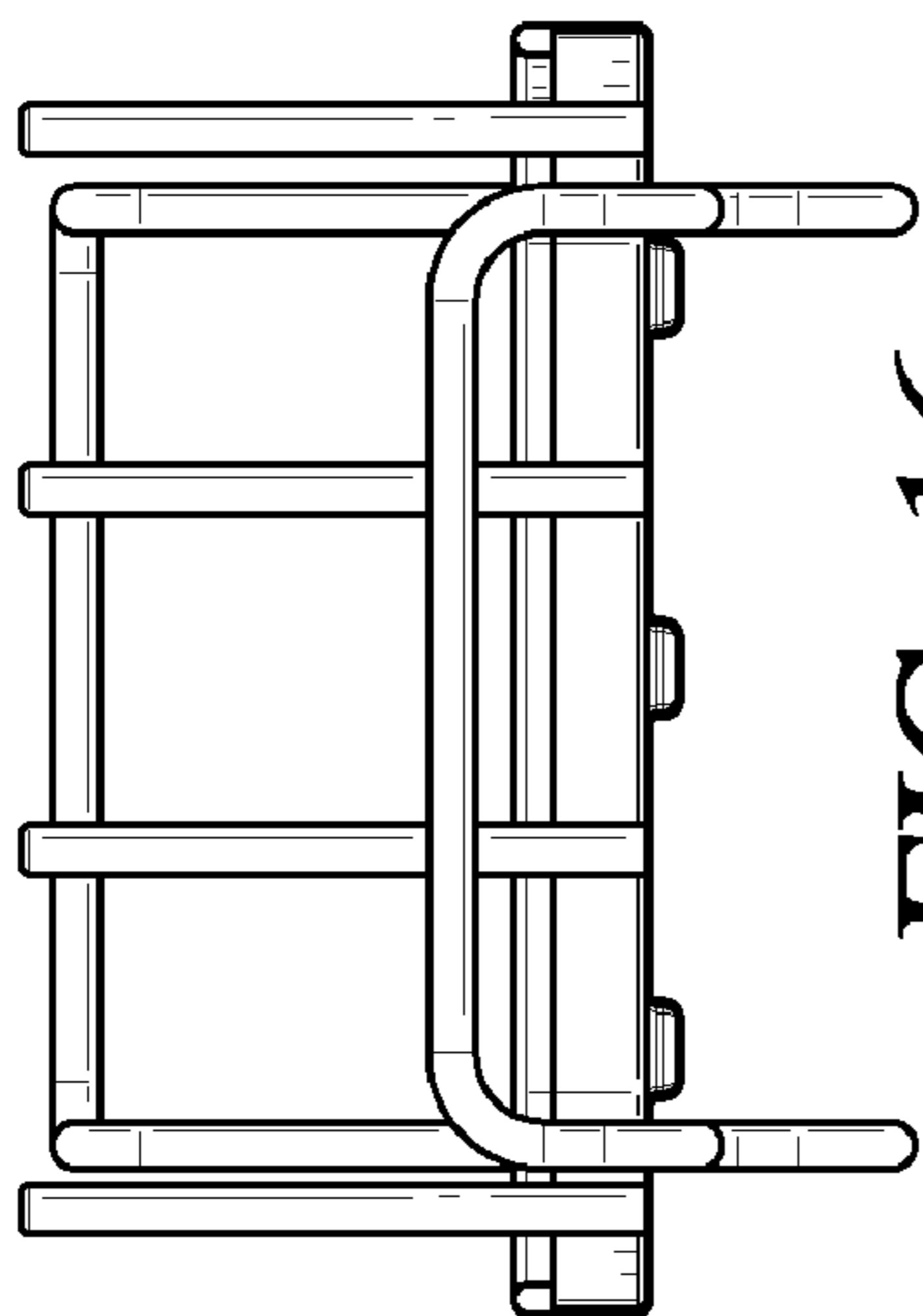


FIG. 16

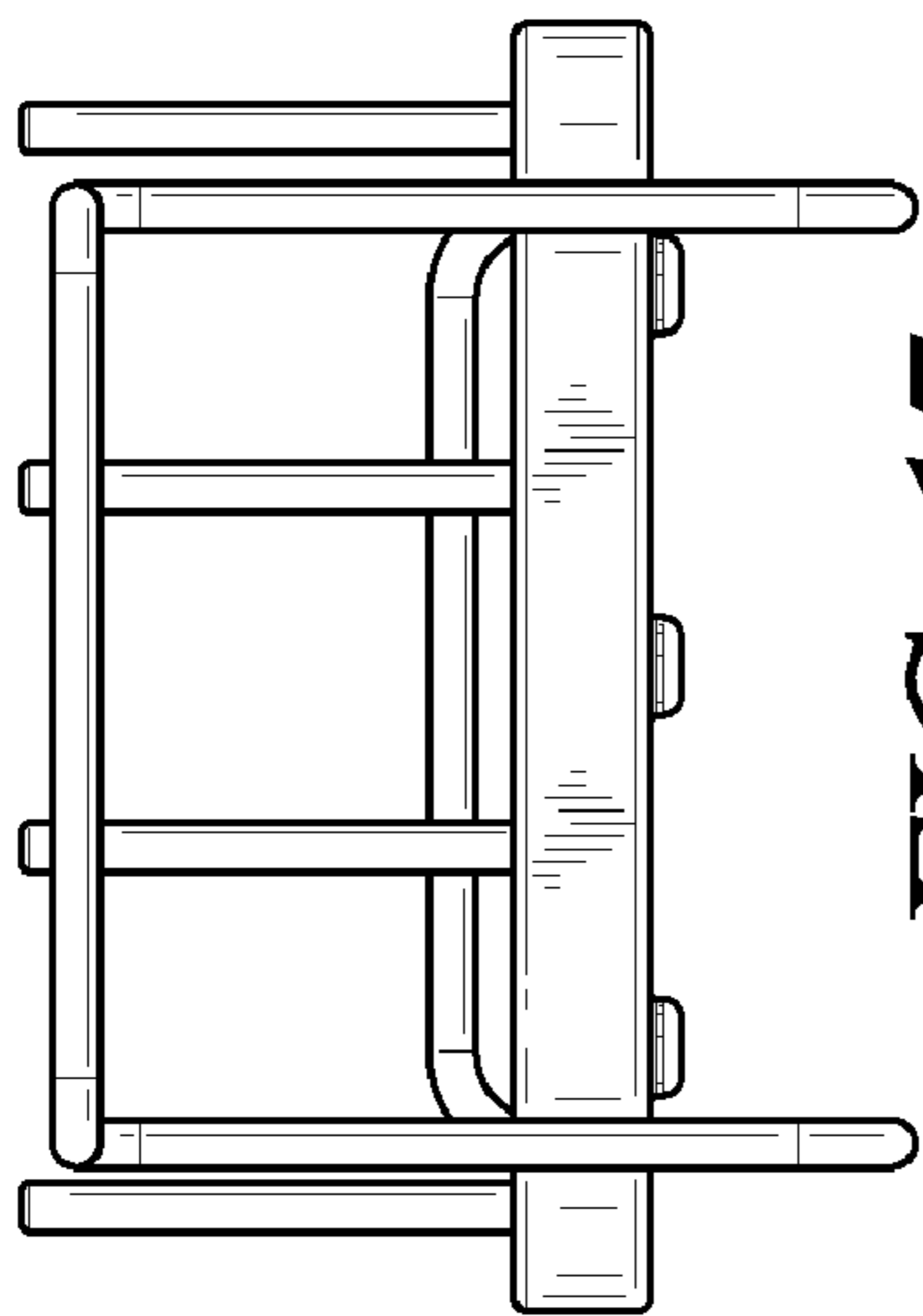


FIG. 17

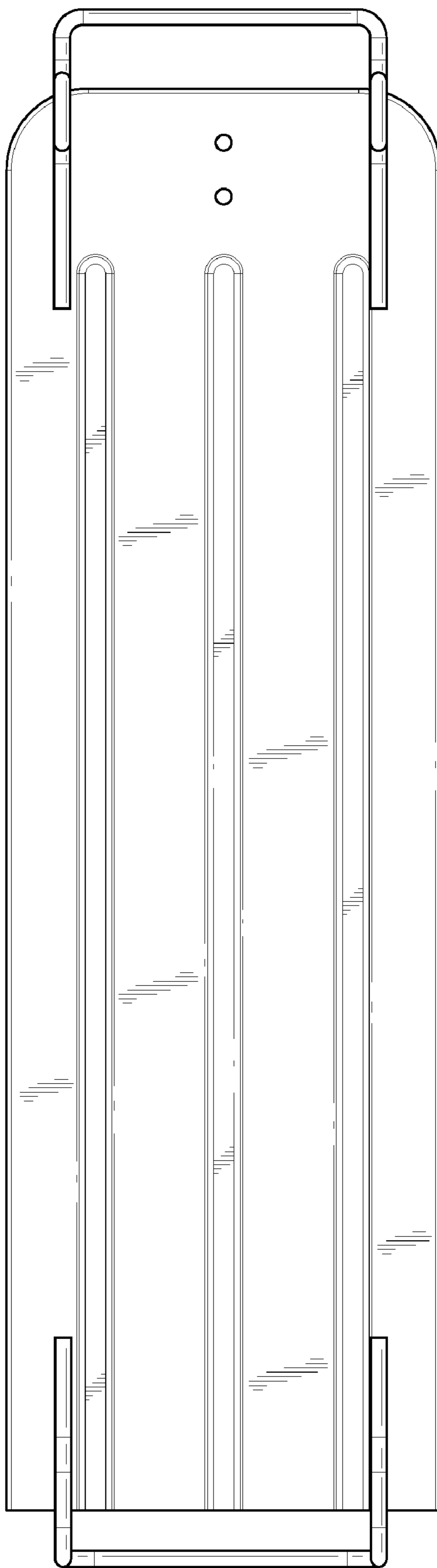


FIG. 18