



US00D599518S

(12) **United States Design Patent**
Vrdoljak

(10) **Patent No.:** **US D599,518 S**

(45) **Date of Patent:** **** Sep. 1, 2009**

(54) **TRIANGULAR STEAM MOP FRAME**

(75) Inventor: **Ognjen Vrdoljak**, Laval (CA)

(73) Assignee: **Euro-Pro Operating, LLC**, West
Newton, MA (US)

(**) Term: **14 Years**

(21) Appl. No.: **29/330,985**

(22) Filed: **Jan. 16, 2009**

(51) **LOC (9) Cl.** **07-05**

(52) **U.S. Cl.** **D32/40; D32/50**

(58) **Field of Classification Search** D32/25,
D32/15, 35, 38, 40, 50-52; D4/137; 15/87,
15/179-180, 183, 202, 230, 49.1, 145, 147.1-147.2,
15/144.2, 228, 261; 451/41
See application file for complete search history.

(56) **References Cited**

U.S. PATENT DOCUMENTS

4,503,579	A *	3/1985	Nicely	15/244.2
4,580,307	A *	4/1986	Moss	15/147.1
4,680,826	A *	7/1987	Schunter	15/147.1
4,731,897	A *	3/1988	Griffin	15/147.1
5,243,729	A *	9/1993	Tomm	15/147.1
5,313,746	A *	5/1994	Zarriello	451/522
D349,375	S *	8/1994	Berti	D32/50

D368,561	S *	4/1996	Hodges et al.	D32/50
D423,157	S *	4/2000	Hodges	D32/40
D460,232	S *	7/2002	Weihrauch	D32/50
D547,069	S *	7/2007	Braithwaite et al.	D4/137
D553,317	S *	10/2007	Dotterman et al.	D32/40
D589,668	S *	3/2009	Byrne	D32/50

* cited by examiner

Primary Examiner—Pamela J Burgess

(74) *Attorney, Agent, or Firm*—McCarter & English LLP;
Michael I. Wolfson

(57) **CLAIM**

The ornamental design for a triangular steam mop frame, as shown and described.

DESCRIPTION

FIG. 1 is a top, rear and right side perspective view of a triangular steam mop frame showing our new design;

FIG. 2 is a rear elevational view thereof;

FIG. 3 is a left side elevational view thereof;

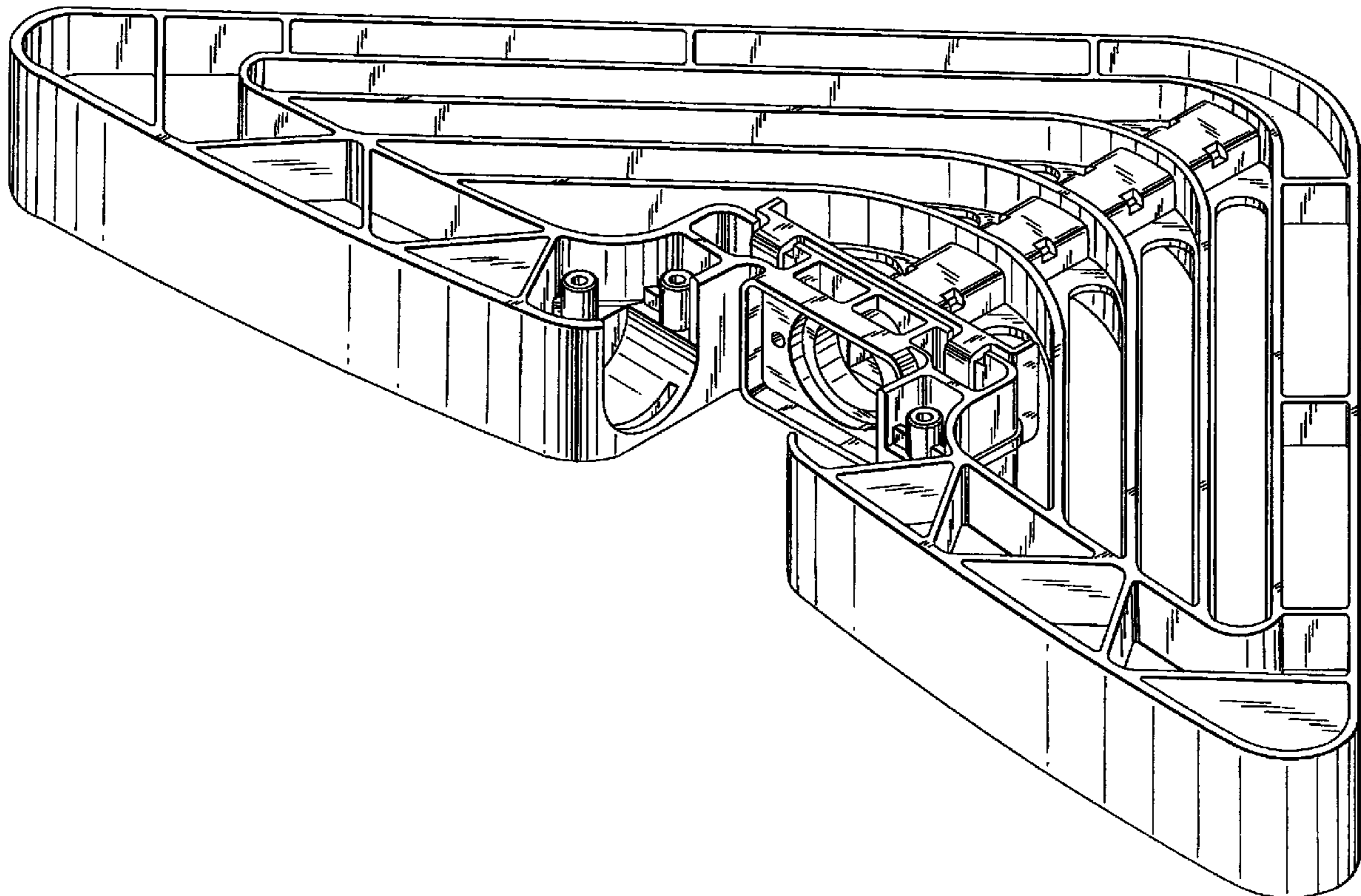
FIG. 4 is a right side elevational view thereof;

FIG. 5 is a top plan view thereof;

FIG. 6 is a bottom plan view thereof; and,

FIG. 7 is a front elevational view thereof.

1 Claim, 6 Drawing Sheets



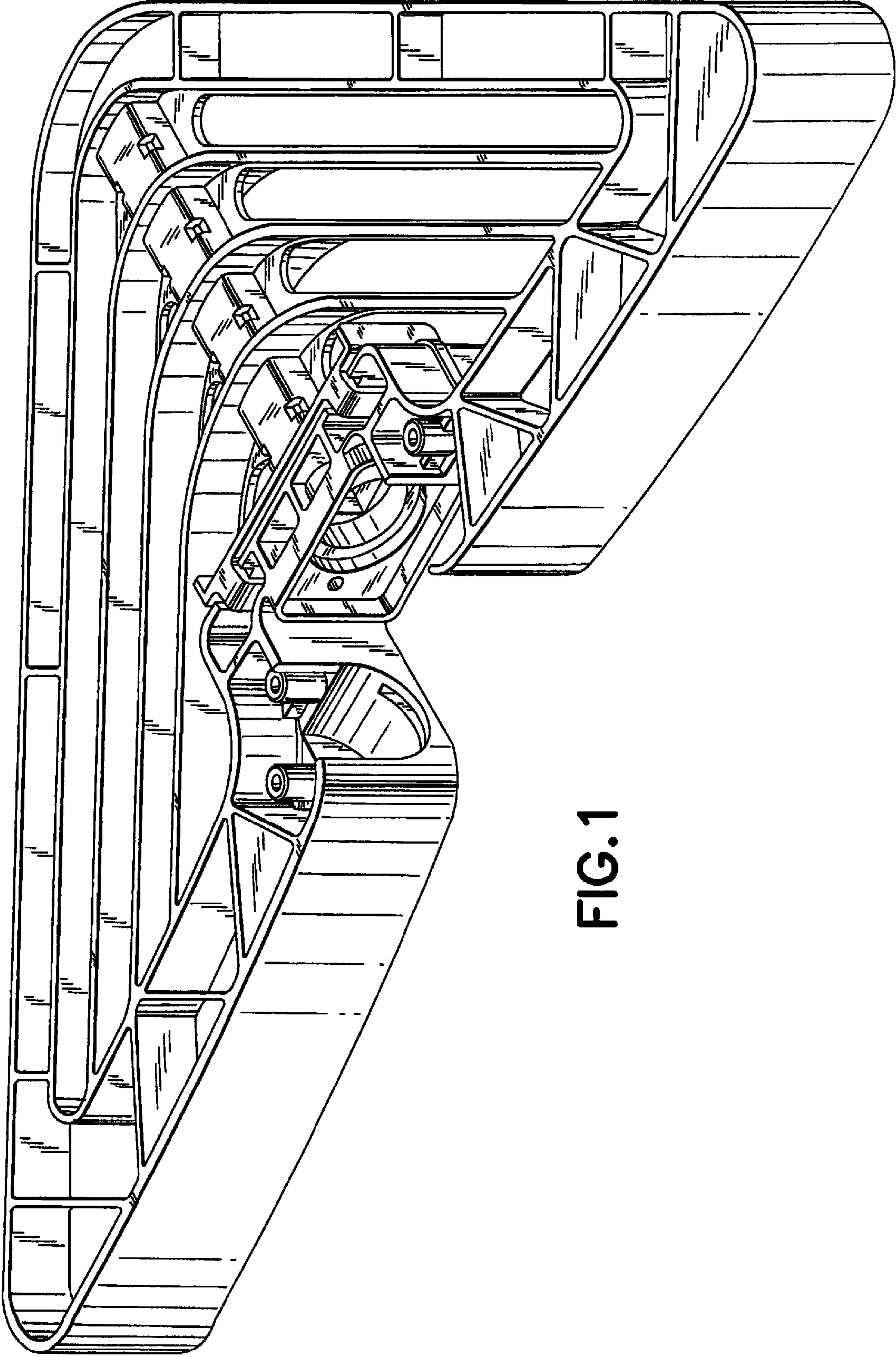


FIG. 1

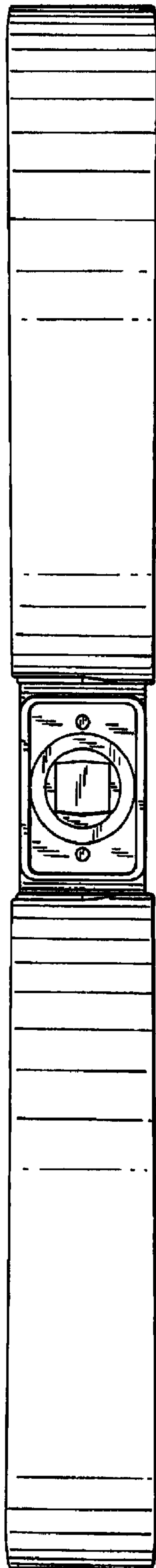


FIG.2

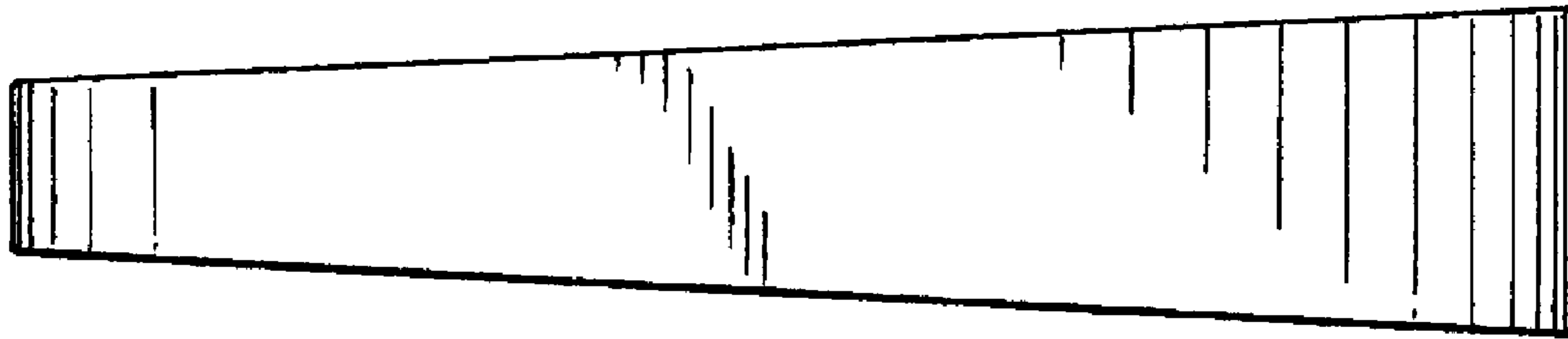


FIG. 3

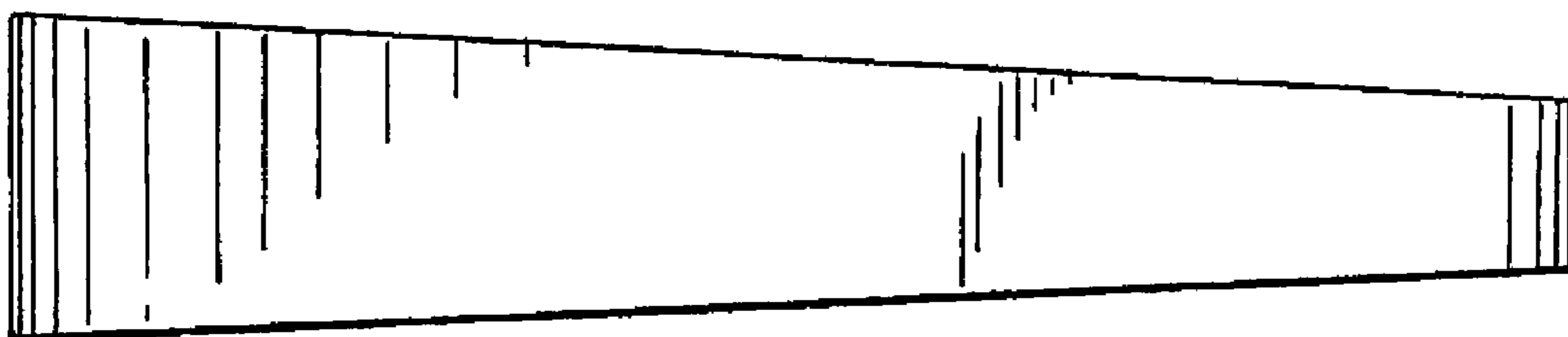


FIG. 4

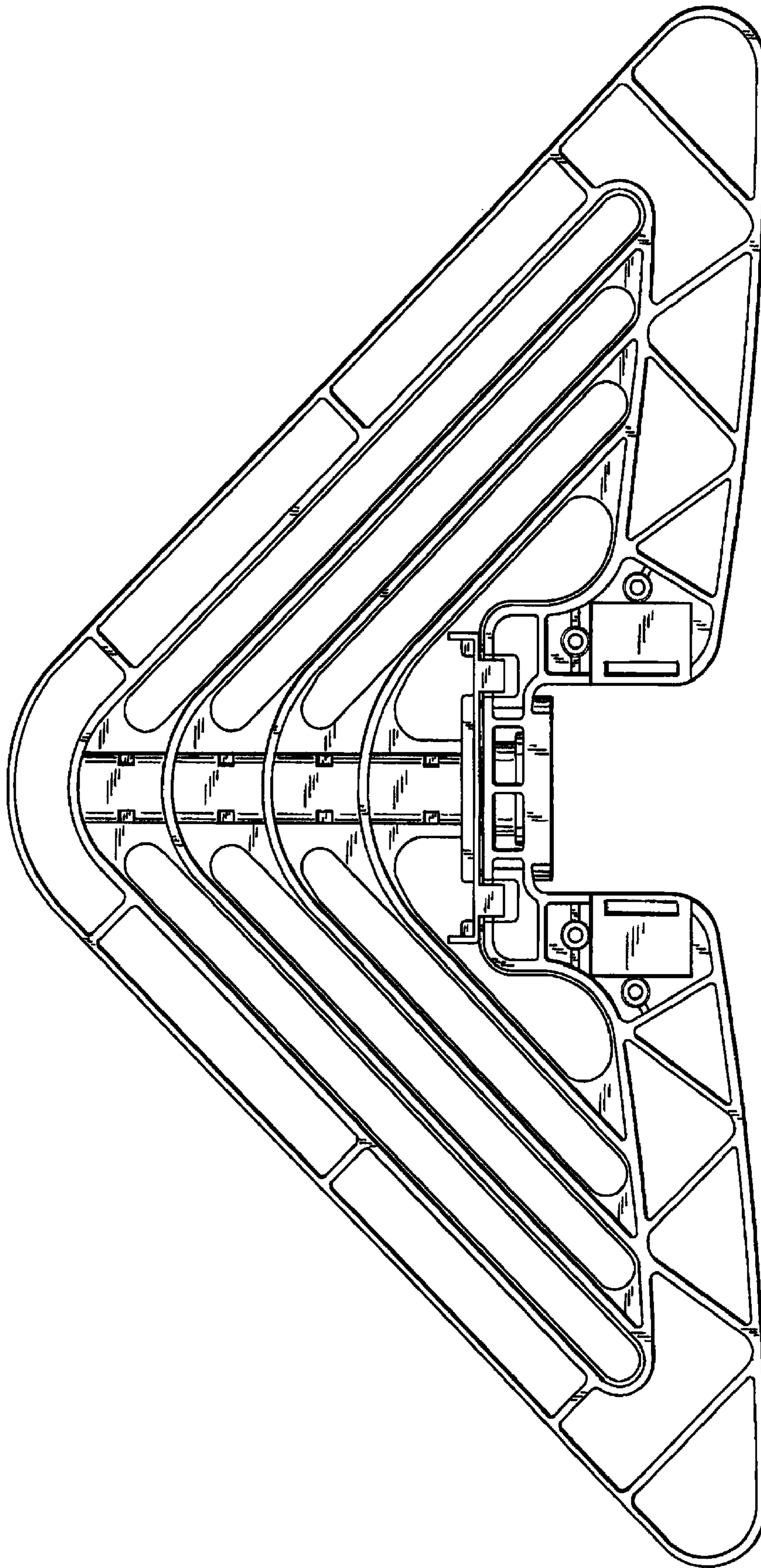


FIG. 5

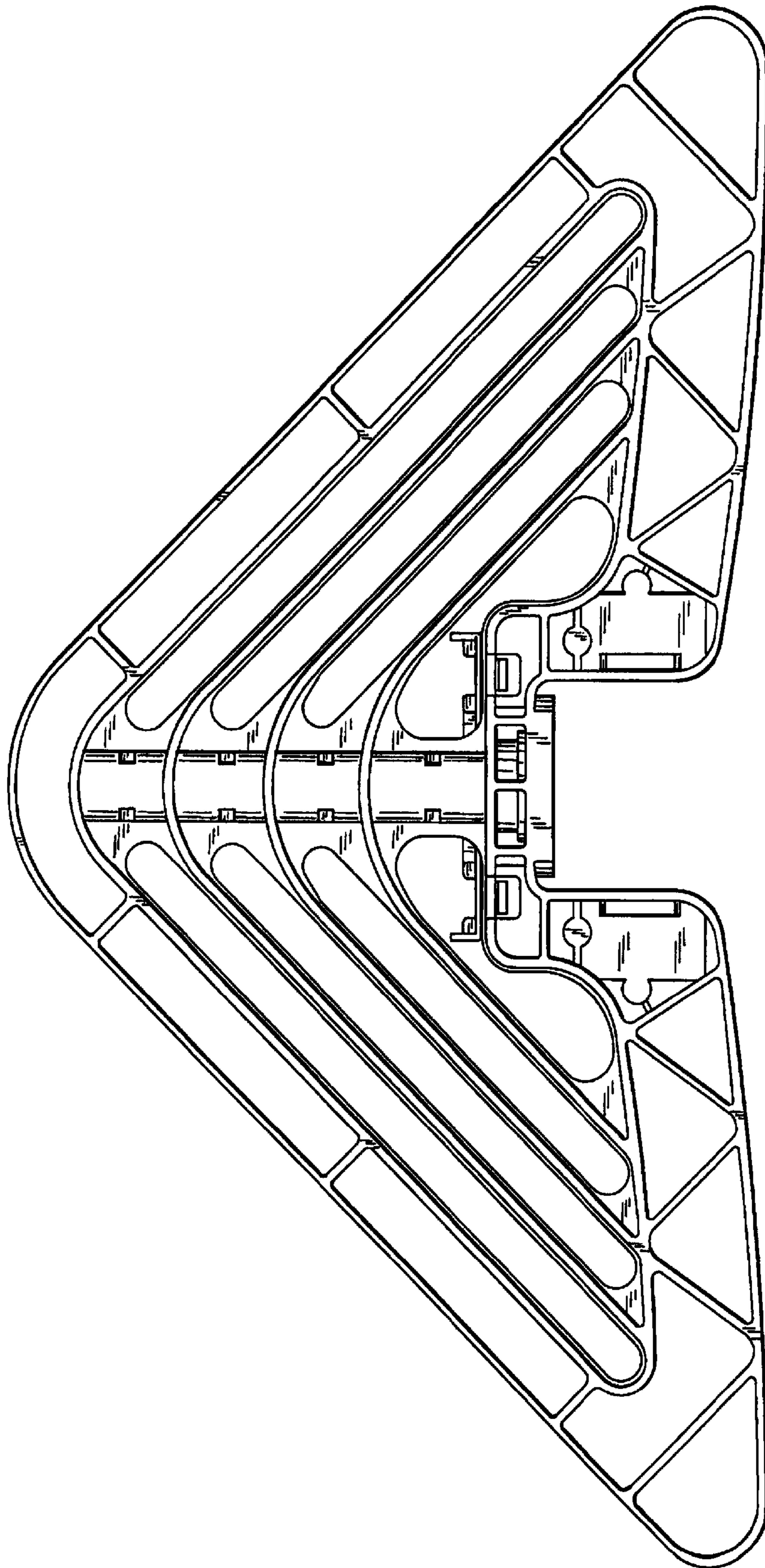


FIG. 6

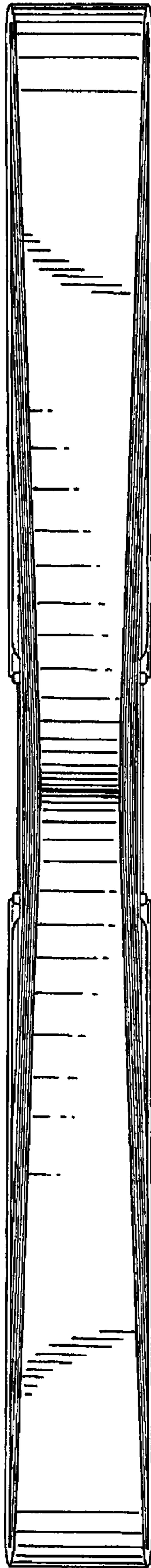


FIG.7