



US00D599515S

(12) **United States Design Patent**
Davies et al.

(10) **Patent No.:** **US D599,515 S**

(45) **Date of Patent:** **** Sep. 1, 2009**

(54) **VACUUM CLEANER PART**

(75) Inventors: **William Jeremy Davies**, Malmesbury (GB); **James John Bryden**, Malmesbury (GB); **Alexander Stuart Knox**, Malmesbury (GB); **Ross Pascoe**, Malmesbury (GB)

(73) Assignee: **Dyson Limited**, Wiltshire (GB)

(**) Term: **14 Years**

(21) Appl. No.: **29/319,411**

(22) Filed: **Jun. 9, 2008**

(30) **Foreign Application Priority Data**

Dec. 7, 2007 (GB) 4005550

(51) **LOC (9) Cl.** **15-05**

(52) **U.S. Cl.** **D32/32**

(58) **Field of Classification Search** D32/22,
D32/31-33, 38; 15/349, 329, 338, 363, 366,
15/375, 378, 394, 399, 400, 246.2, 327.1,
15/327.6-327.7, 334, 415.1-422, 422.1,
15/412, 414, 393, 398, 350, 353-359; 55/DIG. 3
See application file for complete search history.

(56) **References Cited**

U.S. PATENT DOCUMENTS

5,564,161 A * 10/1996 Glatz 15/415.1

D427,737 S *	7/2000	Dyson et al.	D32/32
D449,724 S *	10/2001	Nighy et al.	D32/32
D460,231 S *	7/2002	Bagwell et al.	D32/32
D511,231 S *	11/2005	Langham et al.	D32/33
D518,933 S *	4/2006	Courtney	D32/32
D564,720 S *	3/2008	Dyson et al.	D32/32
D565,265 S *	3/2008	Quance et al.	D32/32
D567,459 S *	4/2008	Dyson et al.	D32/32
D570,561 S *	6/2008	Dyson et al.	D32/22
D591,016 S *	4/2009	Dyson et al.	D32/22

* cited by examiner

Primary Examiner—Ruth McInroy

(74) *Attorney, Agent, or Firm*—Morrison and Foerster LLP

(57) **CLAIM**

We claim the ornamental design for a vacuum cleaner part, as shown and described.

DESCRIPTION

FIG. 1 is a perspective view of a vacuum cleaner part showing our new design;

FIG. 2 is a plan view thereof from above;

FIG. 3 is a bottom view thereof;

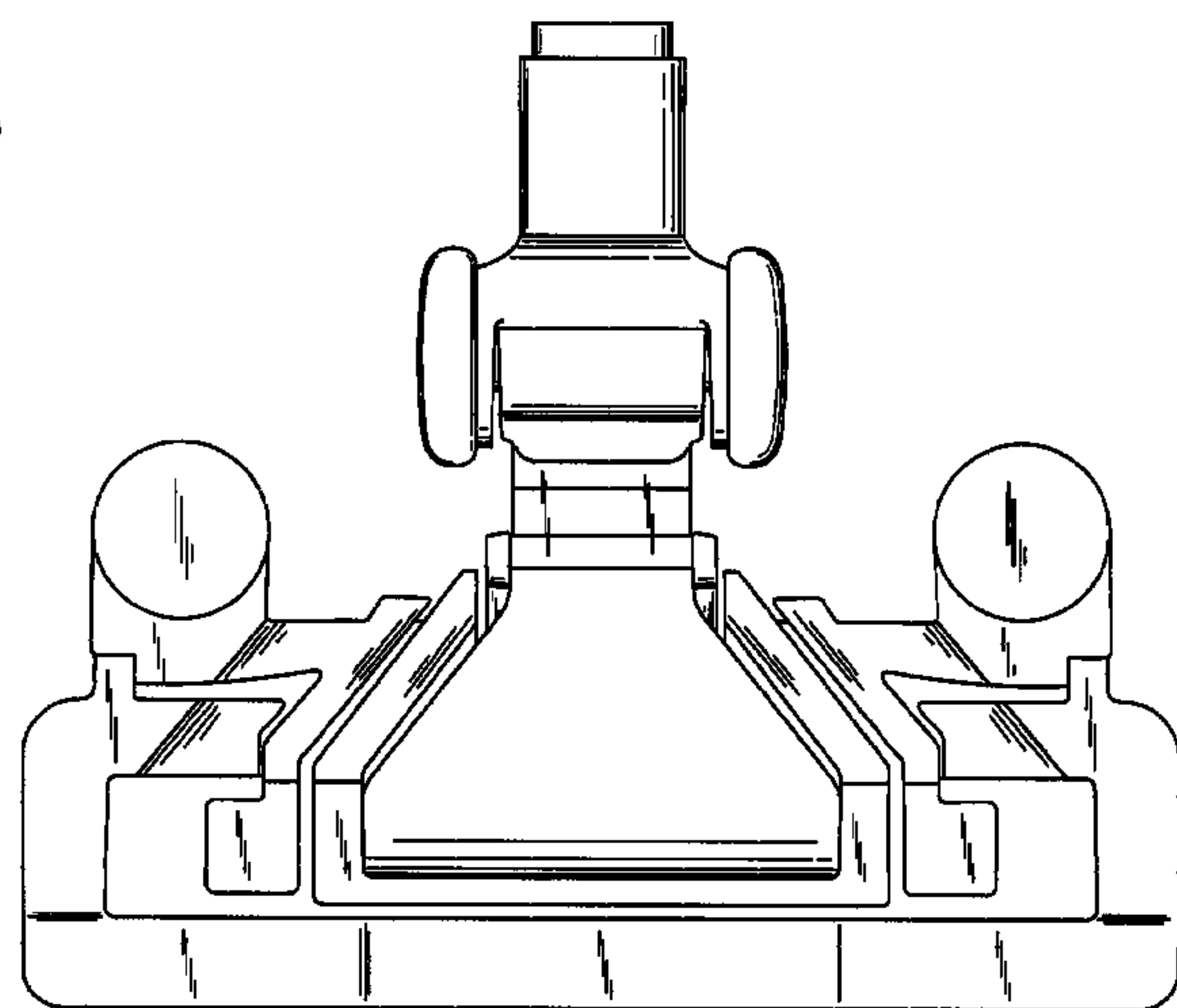
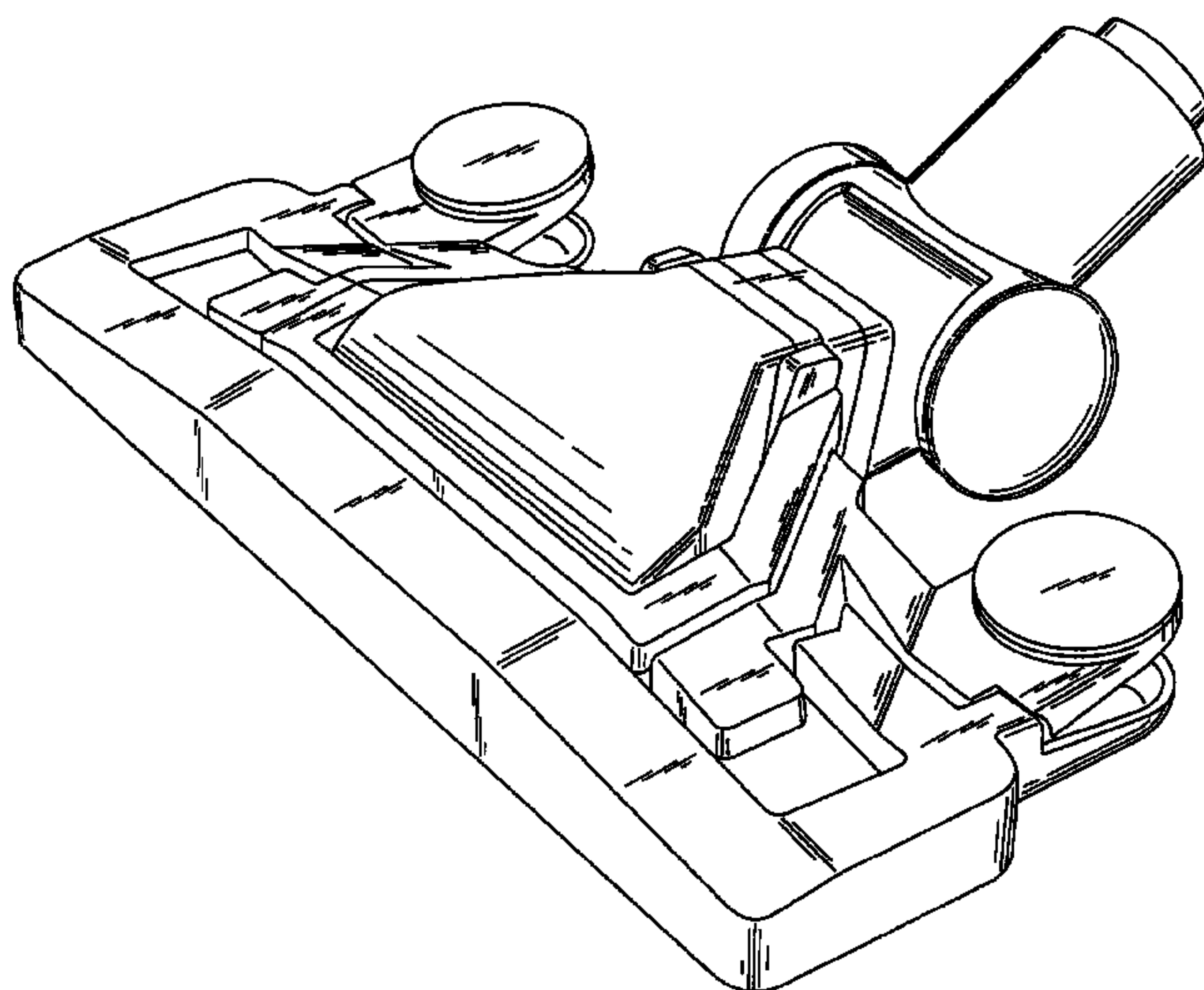
FIG. 4 is a side view thereof;

FIG. 5 is a side view of the opposite side of FIG. 4;

FIG. 6 is a front view thereof; and,

FIG. 7 is a rear view thereof.

1 Claim, 5 Drawing Sheets



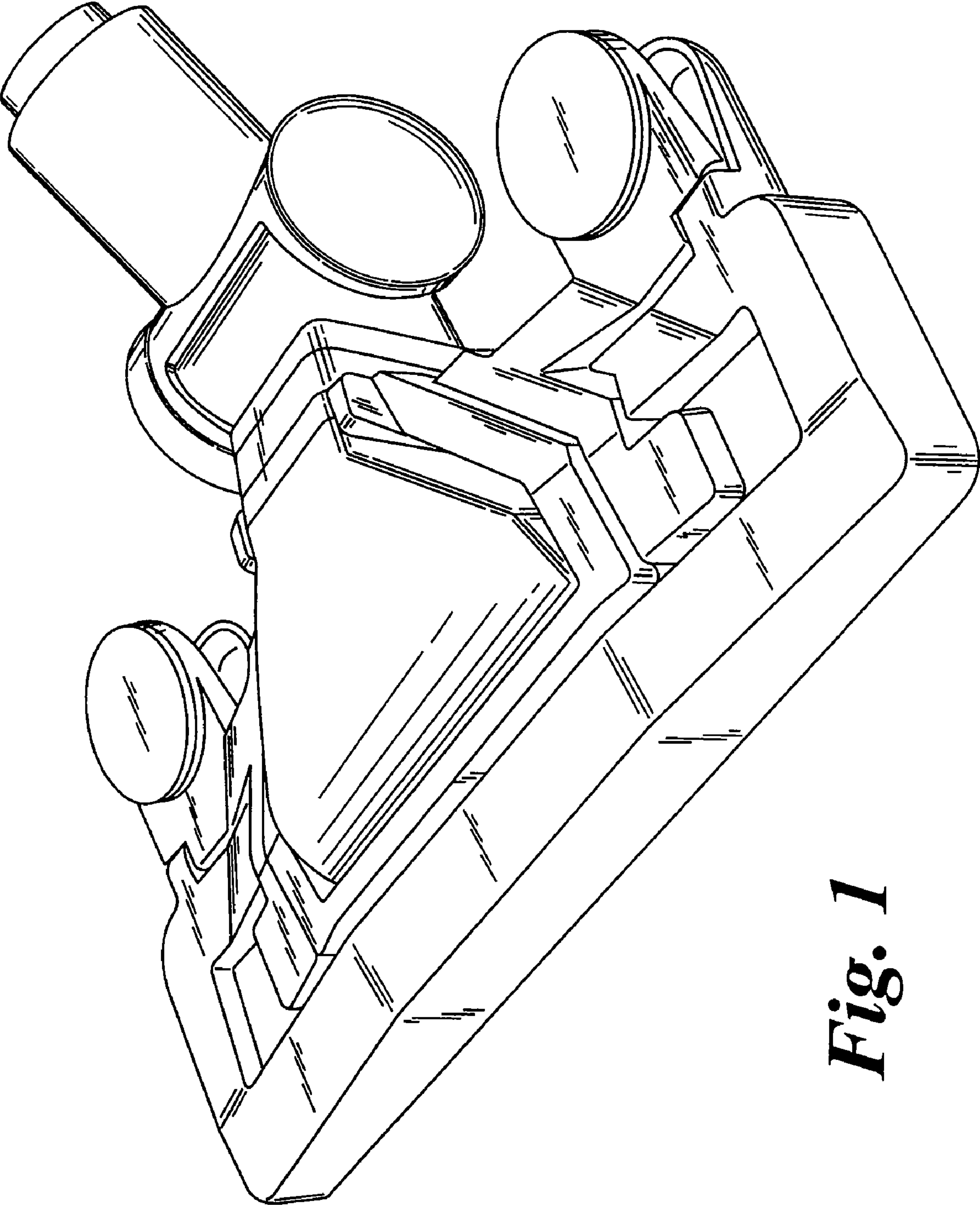


Fig. 1

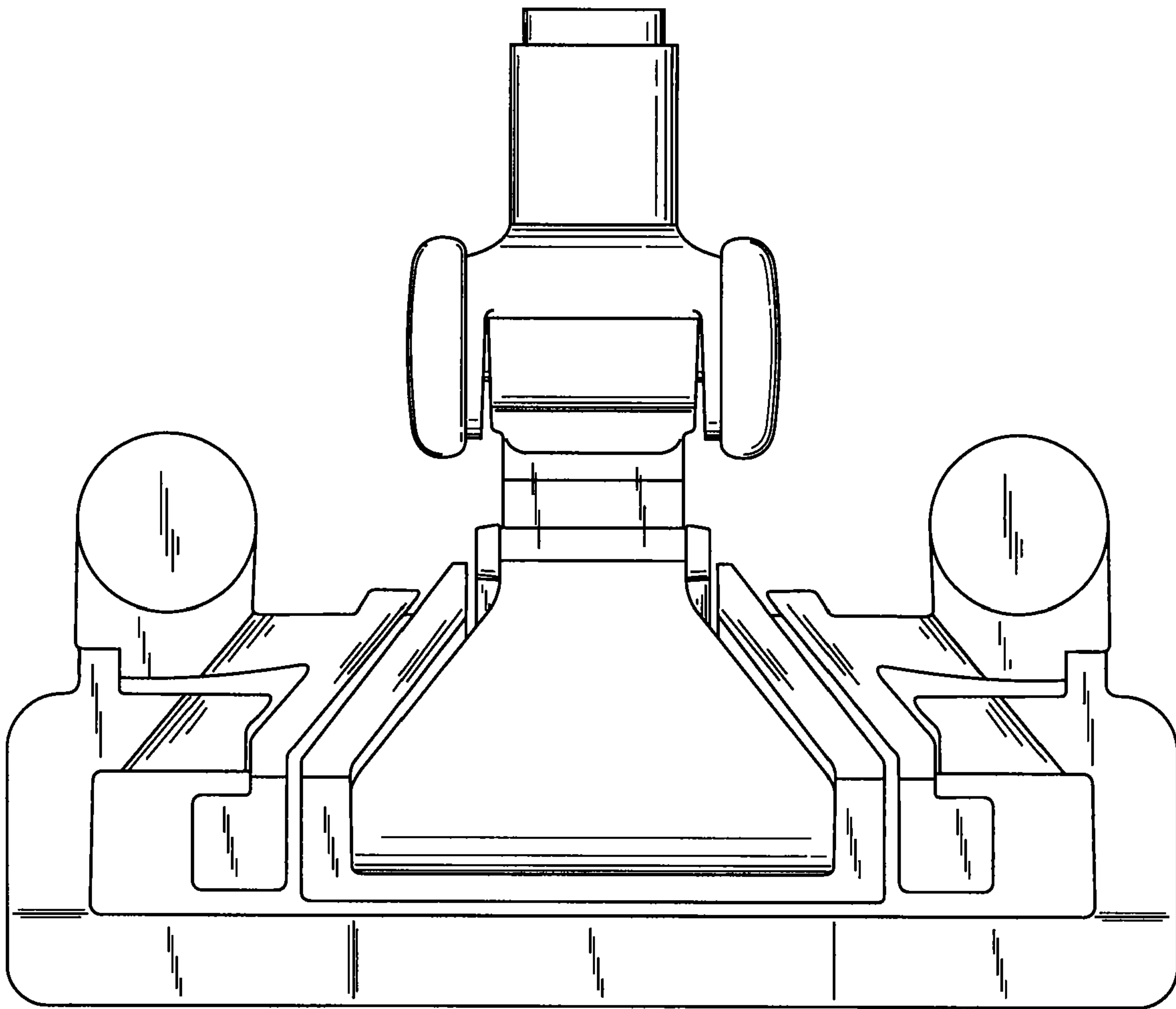


Fig. 2

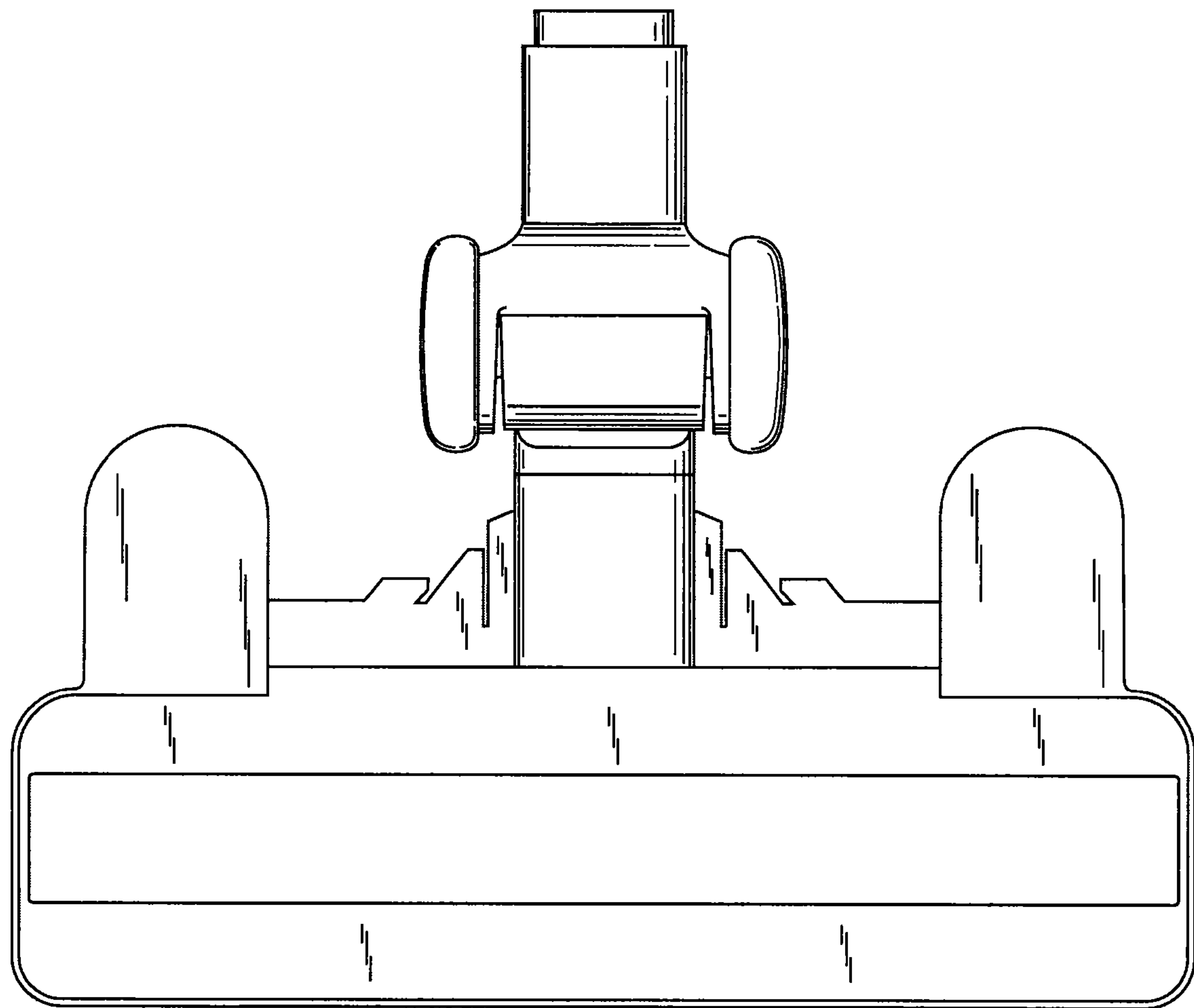


Fig. 3

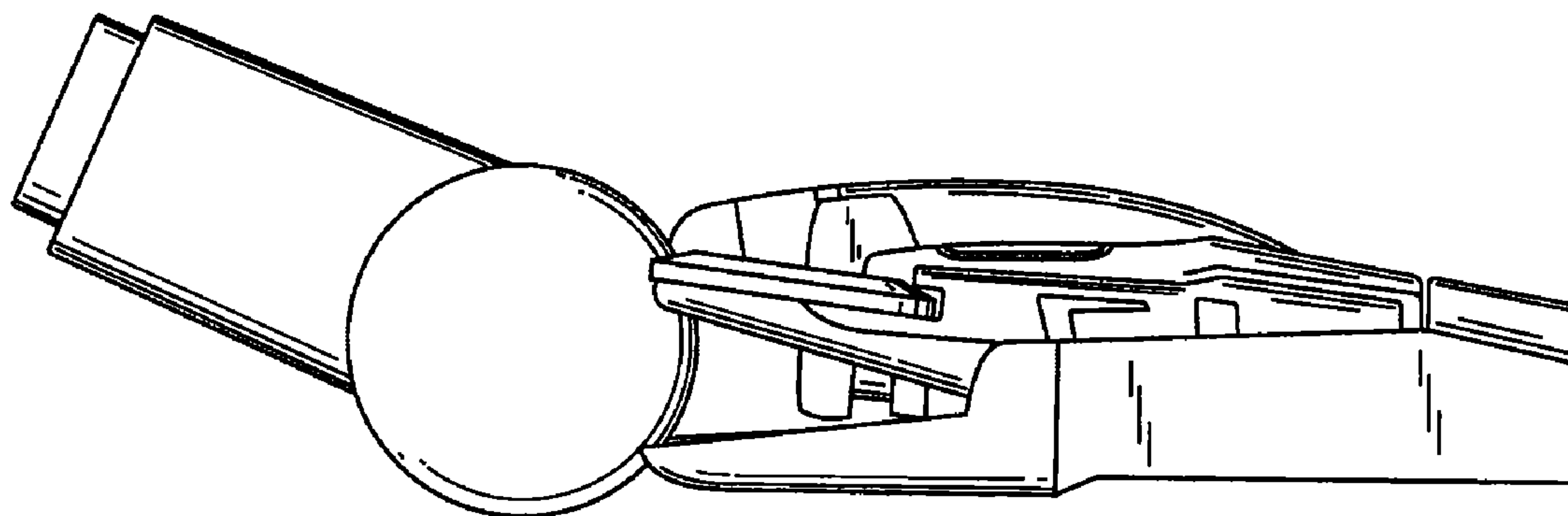


Fig. 4

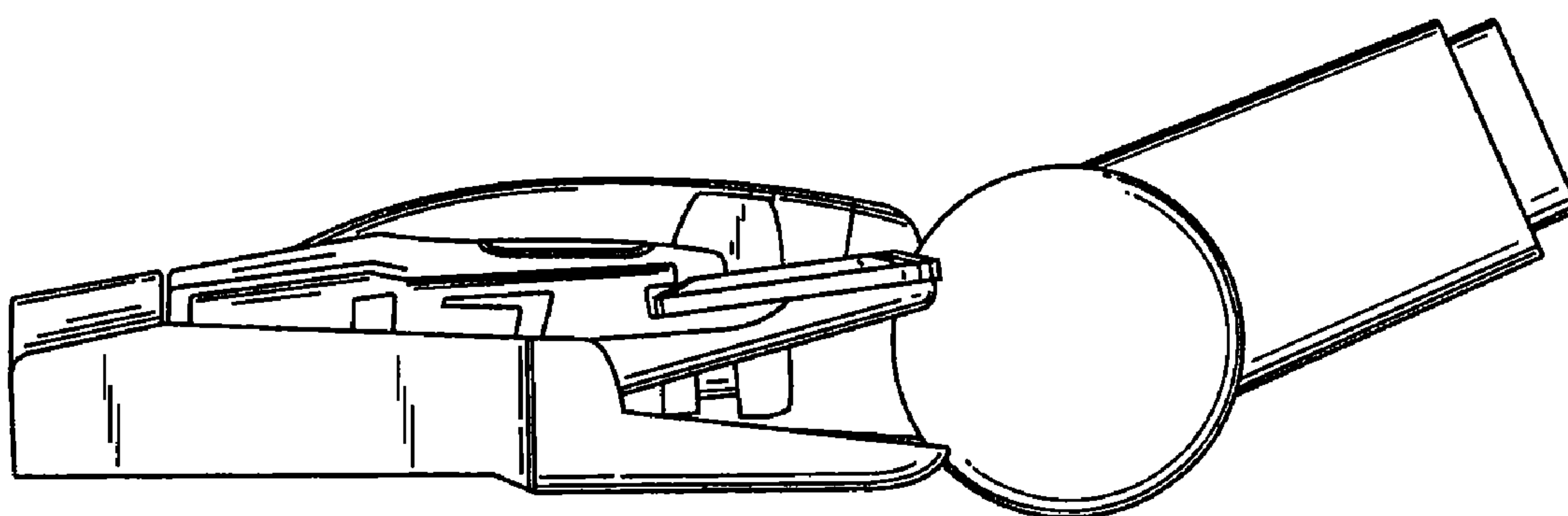


Fig. 5

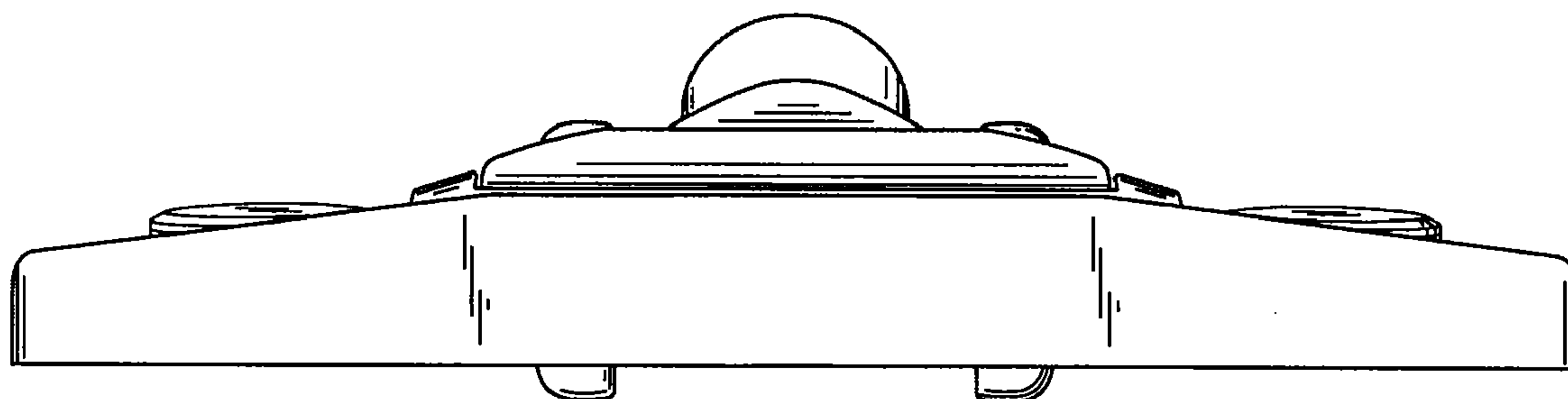


Fig. 6

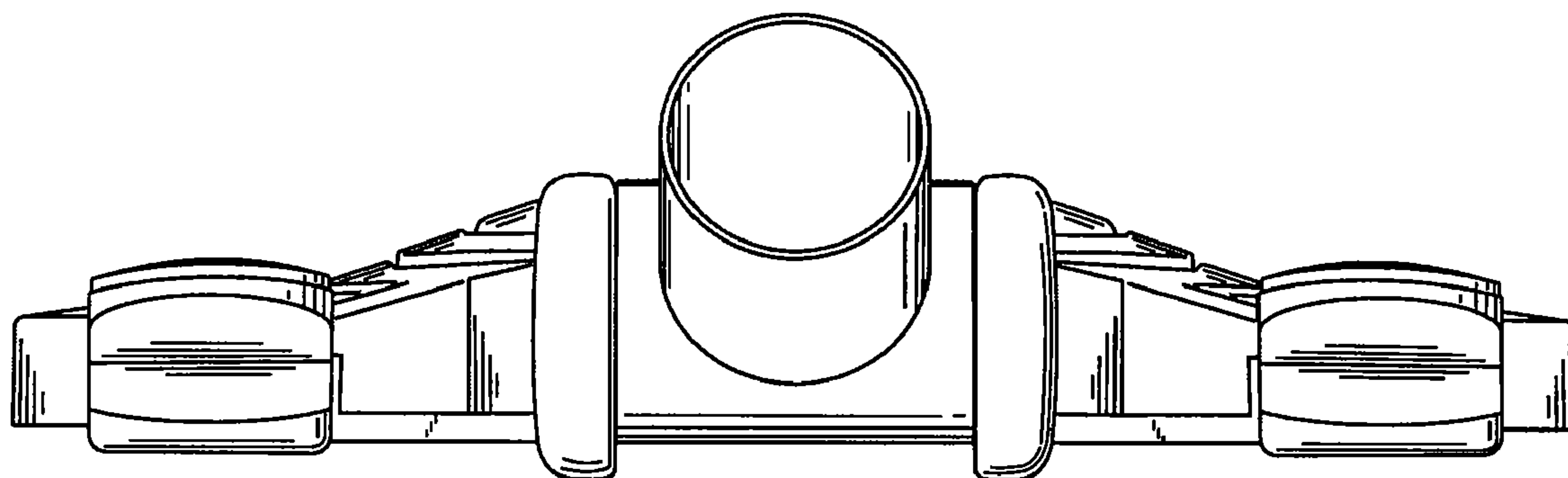


Fig. 7