



US00D599514S

(12) **United States Design Patent**  
**Knox et al.**

(10) **Patent No.:** **US D599,514 S**  
(45) **Date of Patent:** **\*\* Sep. 1, 2009**

(54) **TOOL FOR A DOMESTIC APPLIANCE**

(75) Inventors: **Alexander Stuart Knox**, Wiltshire (GB); **James Dyson**, Gloucestershire (GB); **William Laurence Hitchcock**, Wiltshire (GB); **Michael Vernon Sheen**, Bristol (GB)

(73) Assignee: **Dyson Limited**, Wiltshire (GB)

(\*\*) Term: **14 Years**

(21) Appl. No.: **29/306,283**

(22) Filed: **Apr. 4, 2008**

(30) **Foreign Application Priority Data**

Oct. 4, 2007 (GB) ..... 4004605

(51) **LOC (9) Cl.** ..... **15-05**

(52) **U.S. Cl.** ..... **D32/32**

(58) **Field of Classification Search** ..... D32/22, D32/31-33, 38; 15/349, 329, 338, 363, 366, 15/375, 378, 394, 399, 400, 246.2, 327.1, 15/327.6-327.7, 334, 415.1-422, 422.1, 15/412, 414, 393, 398, 350, 353-359; 55/DIG. 3  
See application file for complete search history.

(56) **References Cited**

**U.S. PATENT DOCUMENTS**

D419,733 S \* 1/2000 Medema ..... D32/32  
D508,154 S \* 8/2005 Carr ..... D32/32

D515,756 S \* 2/2006 Allard et al. .... D32/32  
D520,695 S \* 5/2006 Dyson et al. .... D32/33  
7,296,324 B2 \* 11/2007 Lee ..... 15/415.1  
D585,167 S \* 1/2009 Wishney ..... D32/32  
D590,112 S \* 4/2009 Sun ..... D32/32

\* cited by examiner

*Primary Examiner*—Ruth McInroy

(74) *Attorney, Agent, or Firm*—Morrison & Foerster LLP

(57) **CLAIM**

We claim the ornamental design for a tool for a domestic appliance, as shown and described.

**DESCRIPTION**

FIG. 1 is a perspective view of a tool for a domestic appliance showing our new design;

FIG. 2 is a bottom perspective view thereof;

FIG. 3 is a plan view thereof from above;

FIG. 4 is a bottom view thereof;

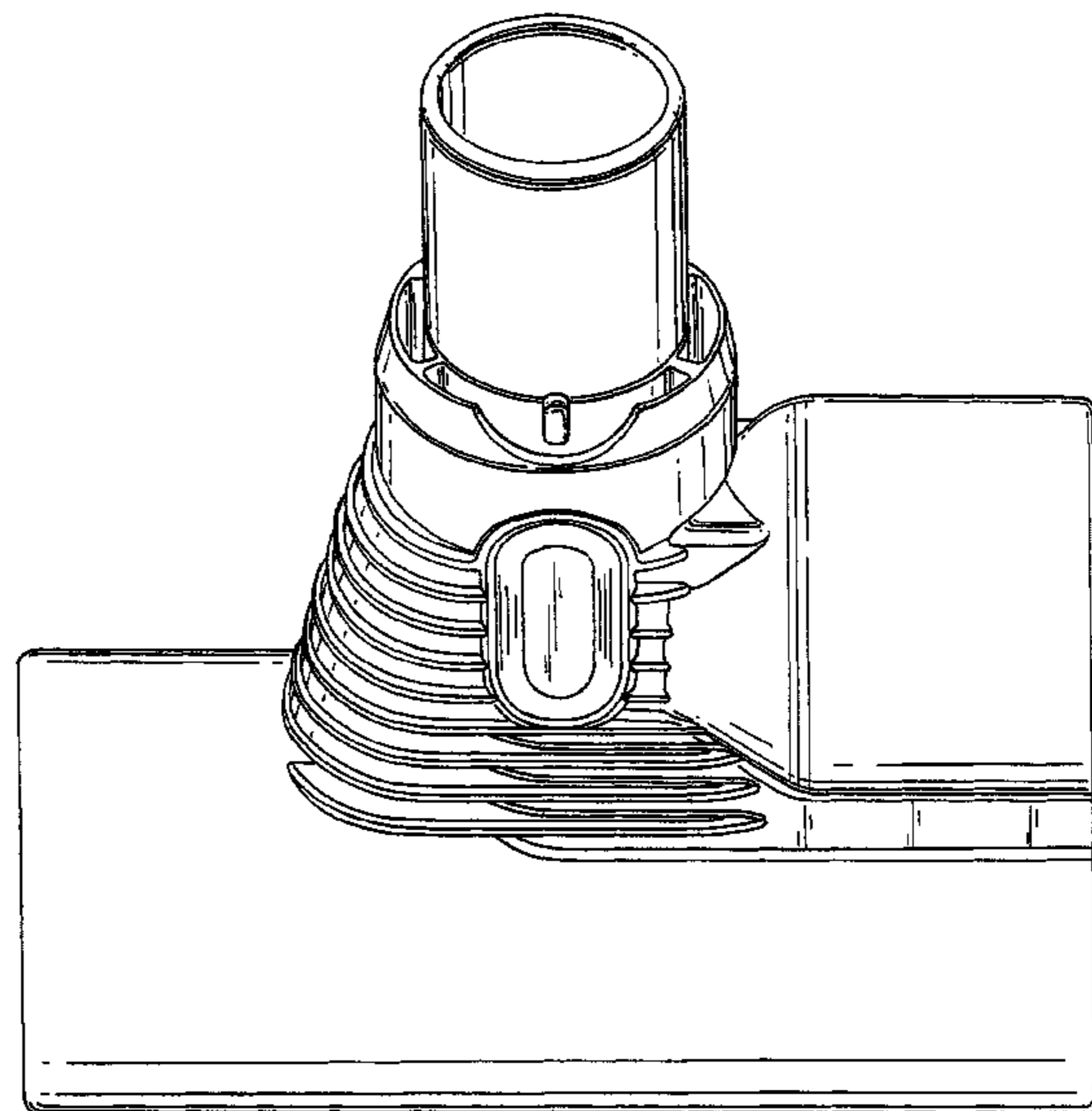
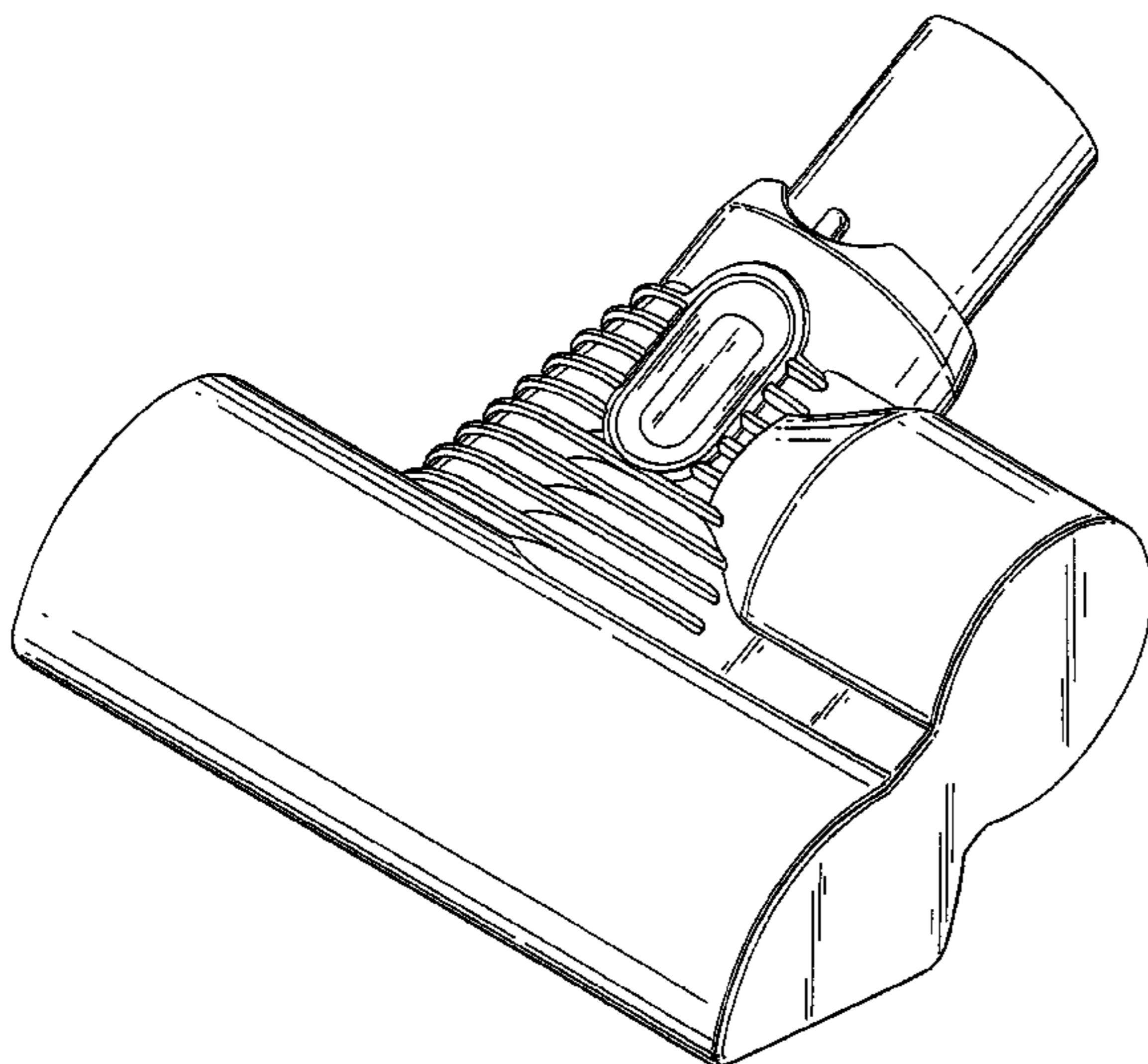
FIG. 5 is a side view thereof;

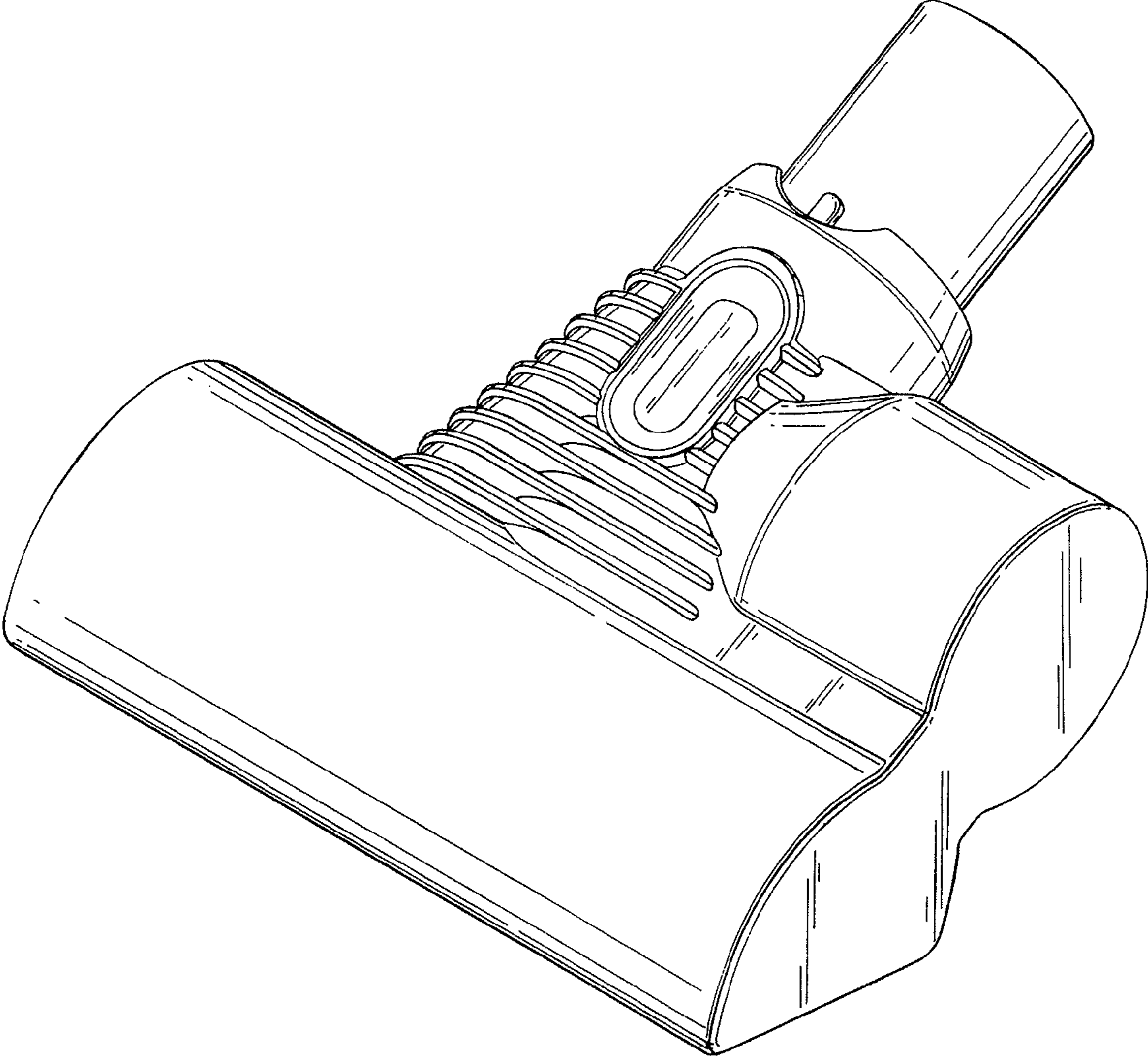
FIG. 6 is a side view of the opposite side of FIG. 5;

FIG. 7 is a front view thereof; and,

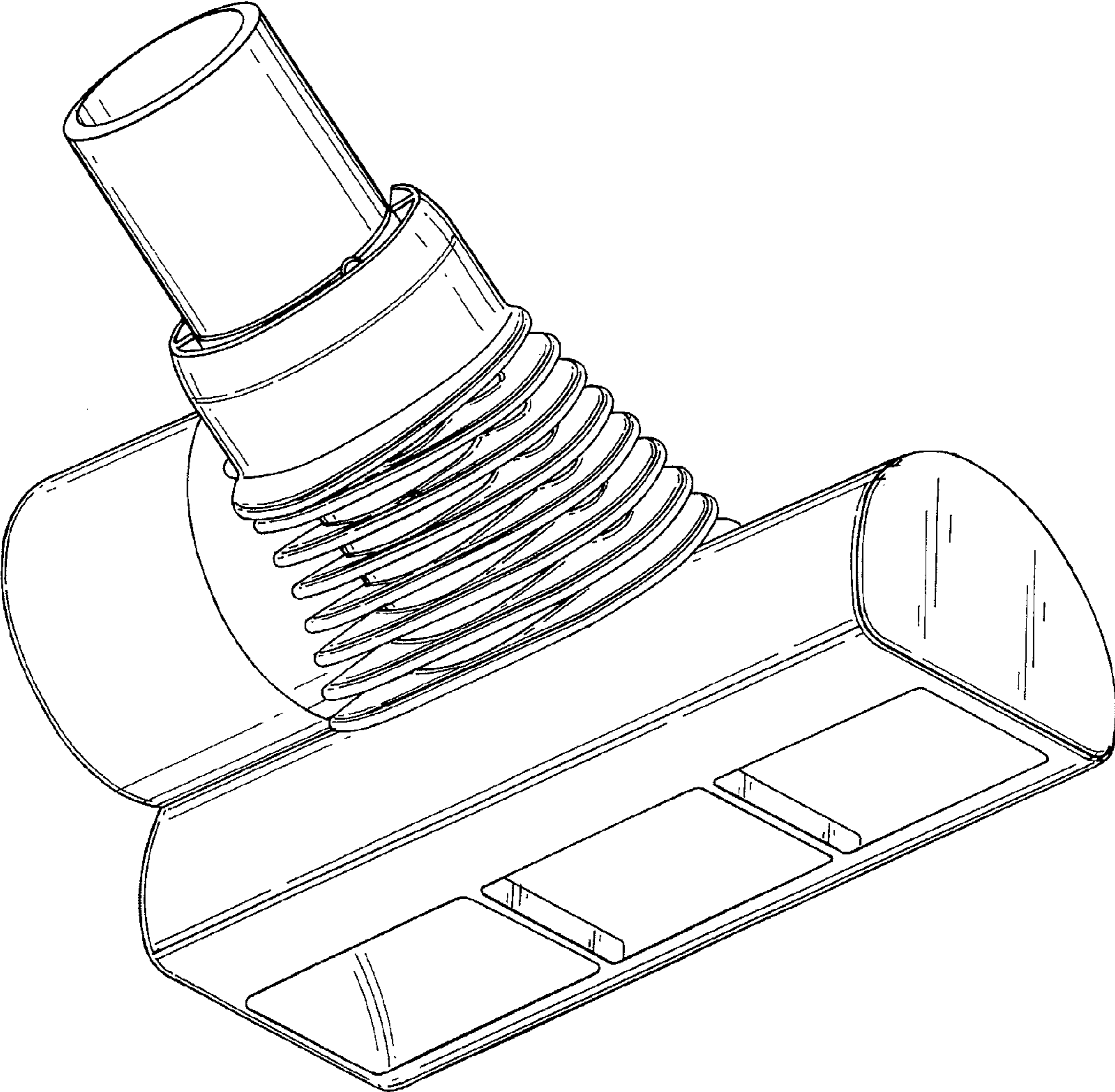
FIG. 8 is a rear view thereof.

**1 Claim, 8 Drawing Sheets**

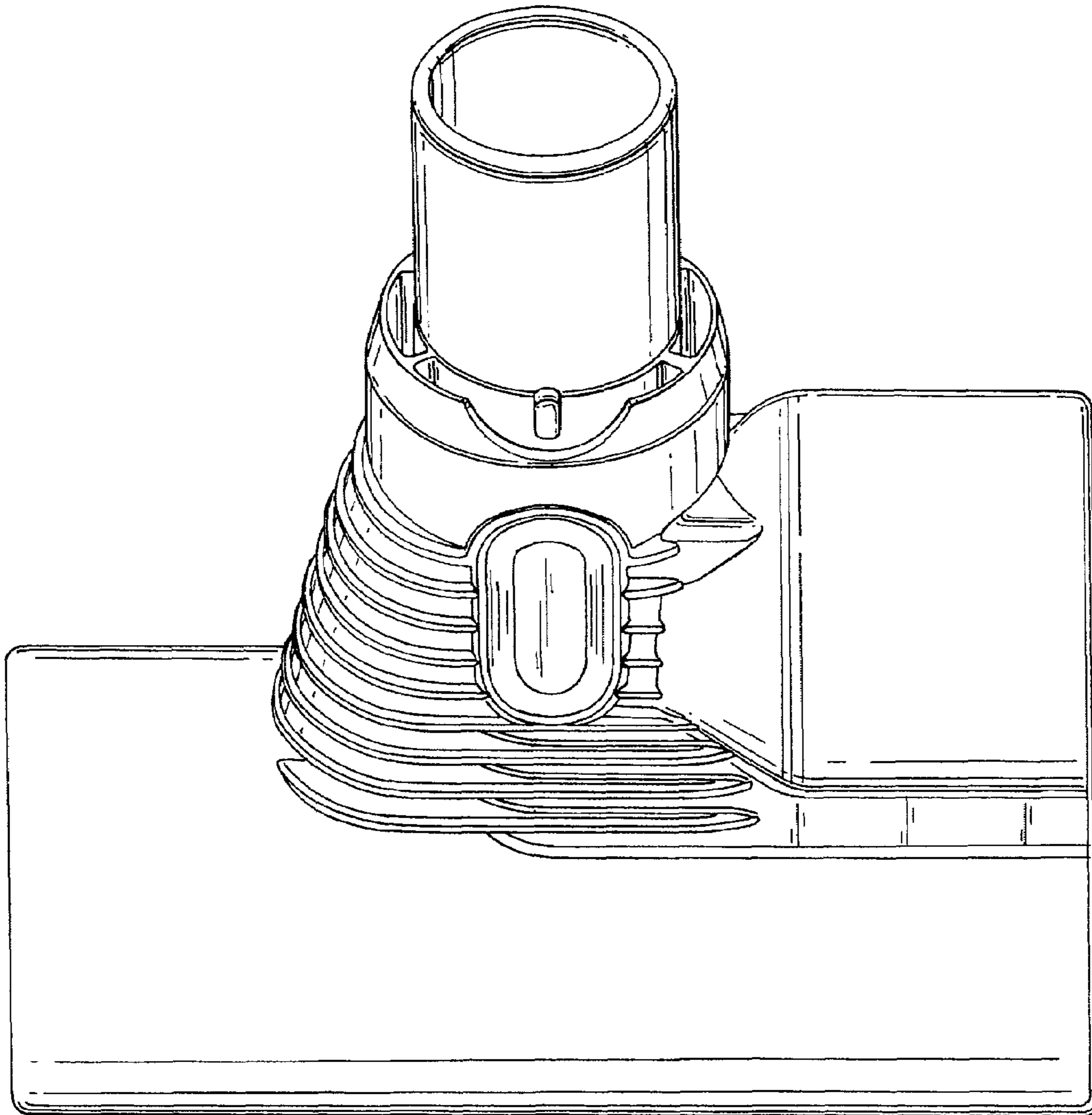




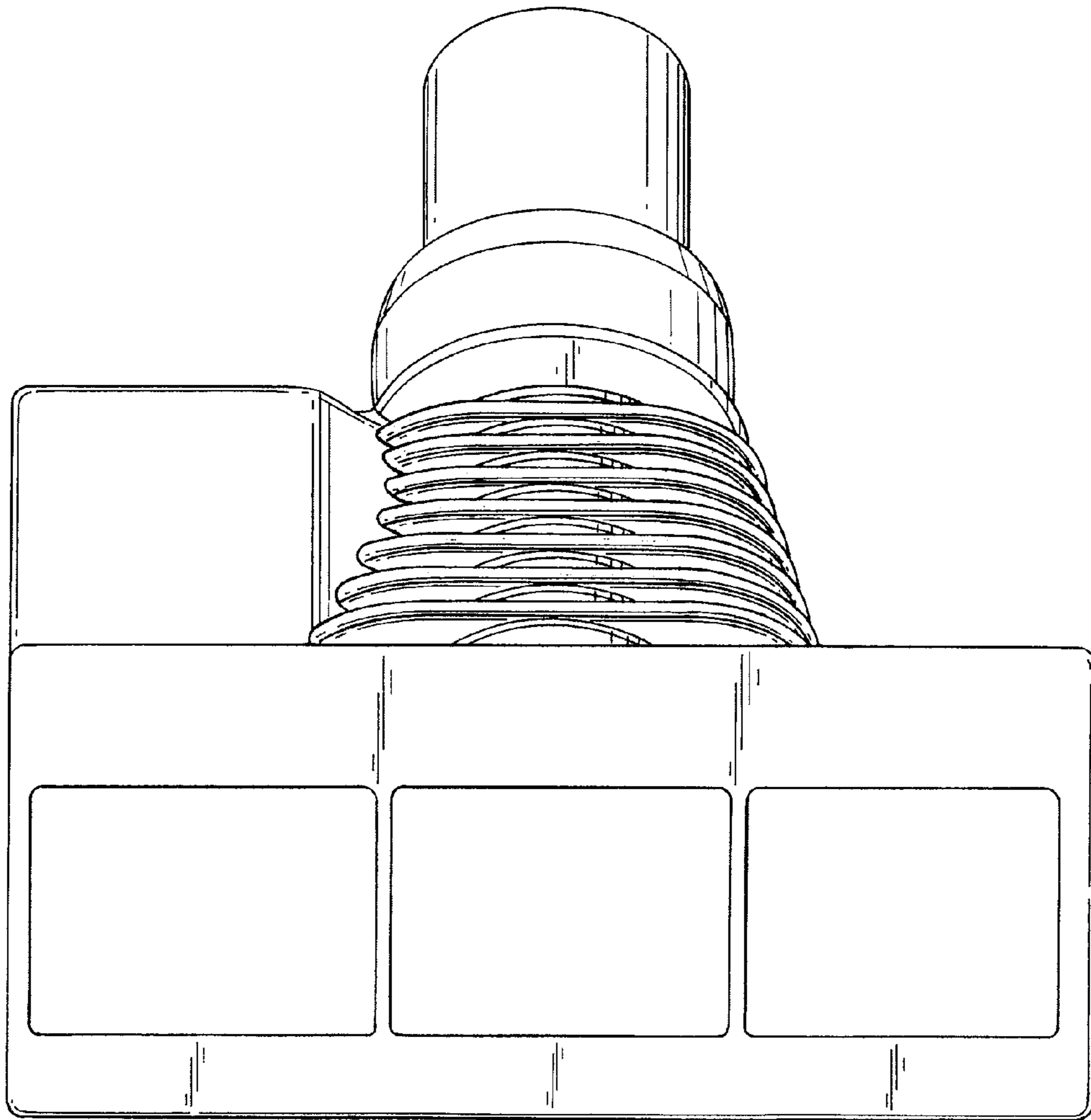
*Fig. 1*



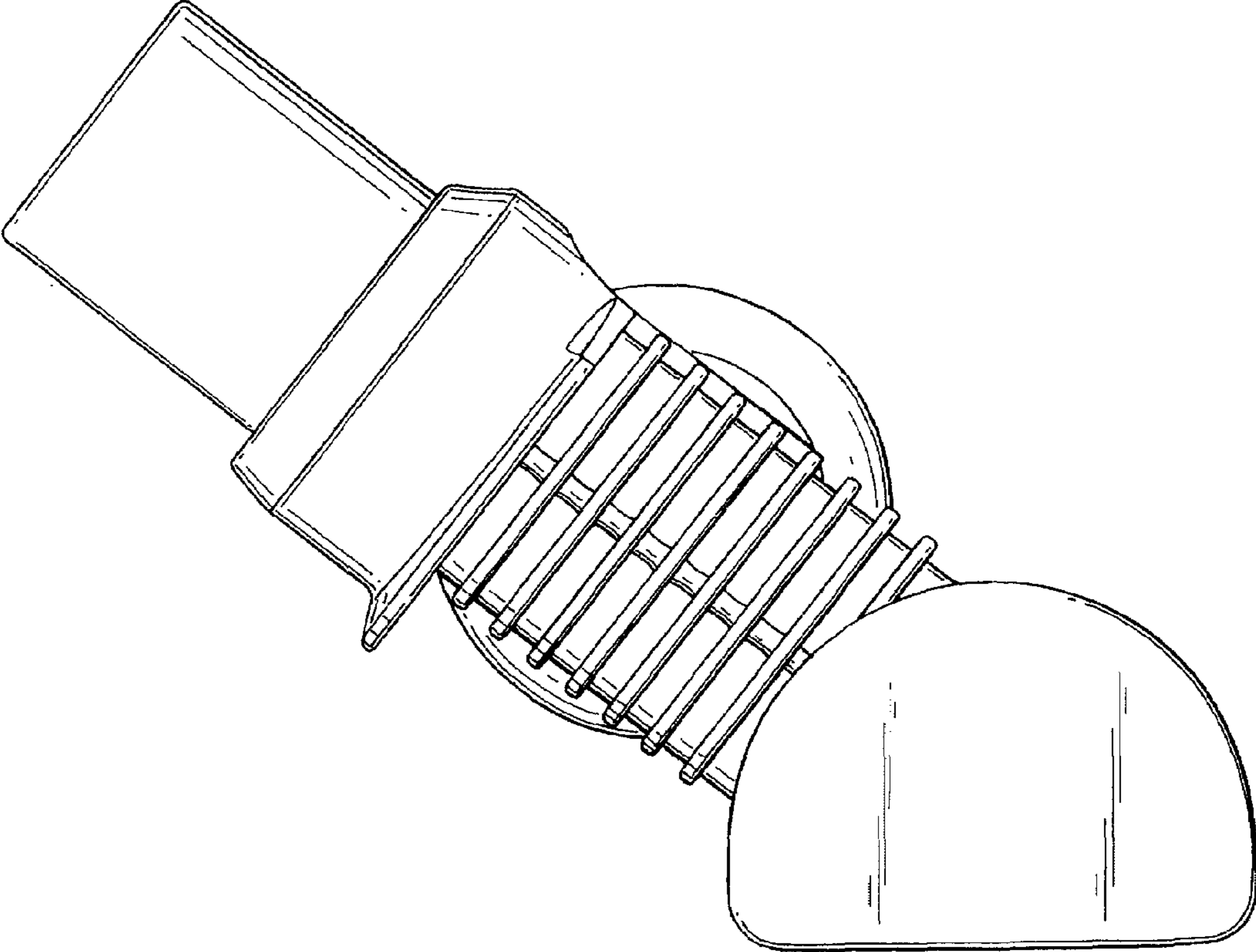
*Fig. 2*



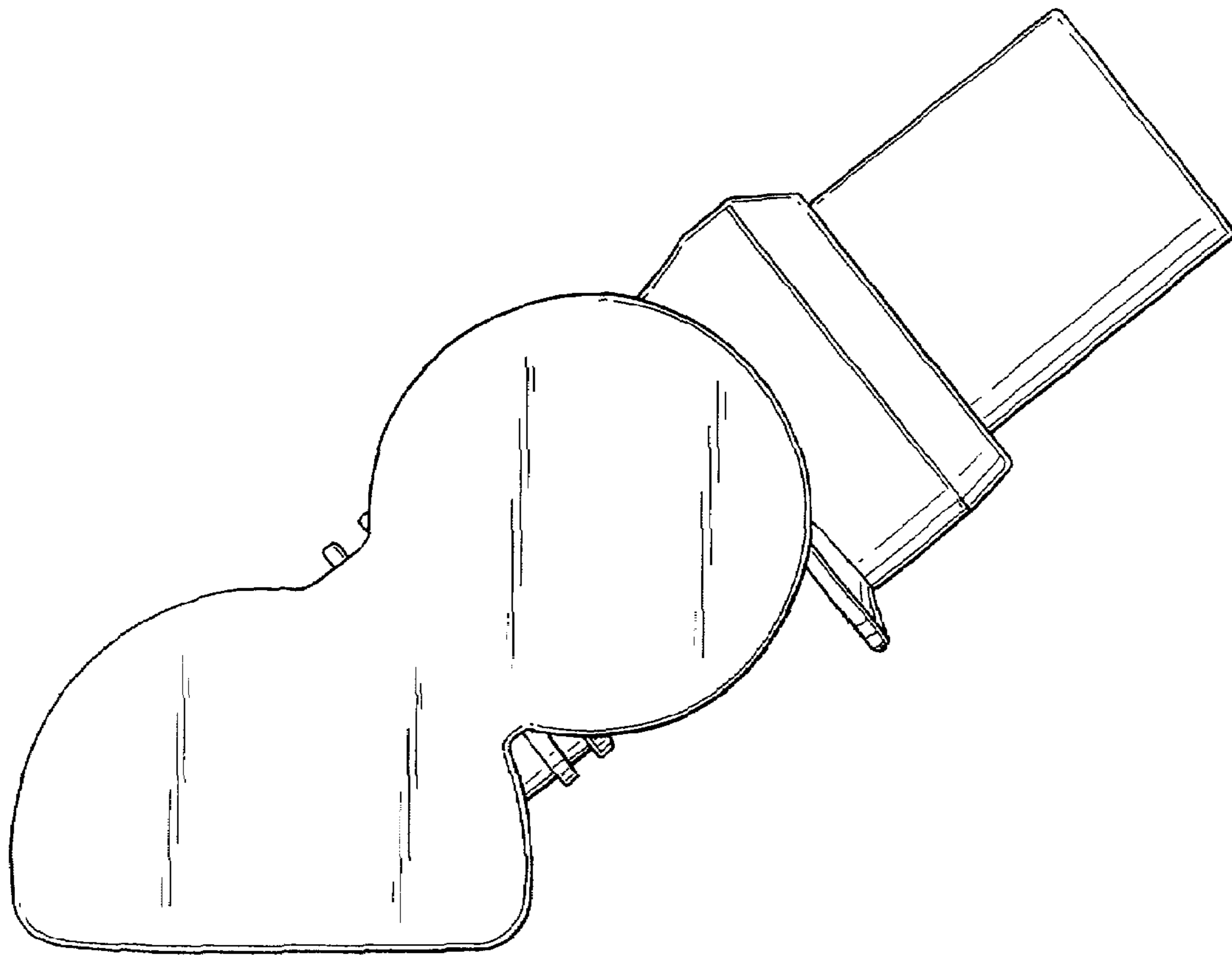
*Fig. 3*



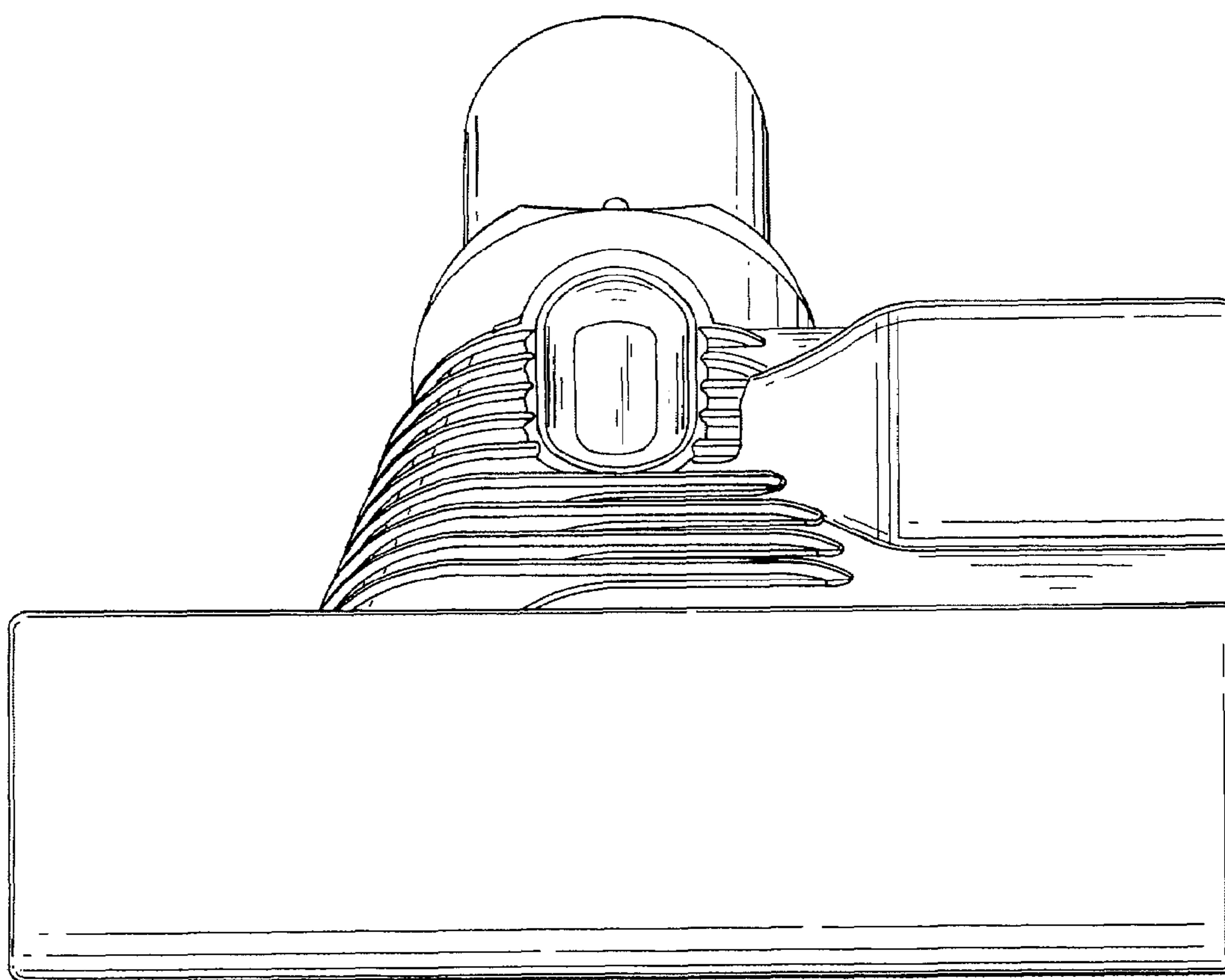
*Fig. 4*



*Fig. 5*

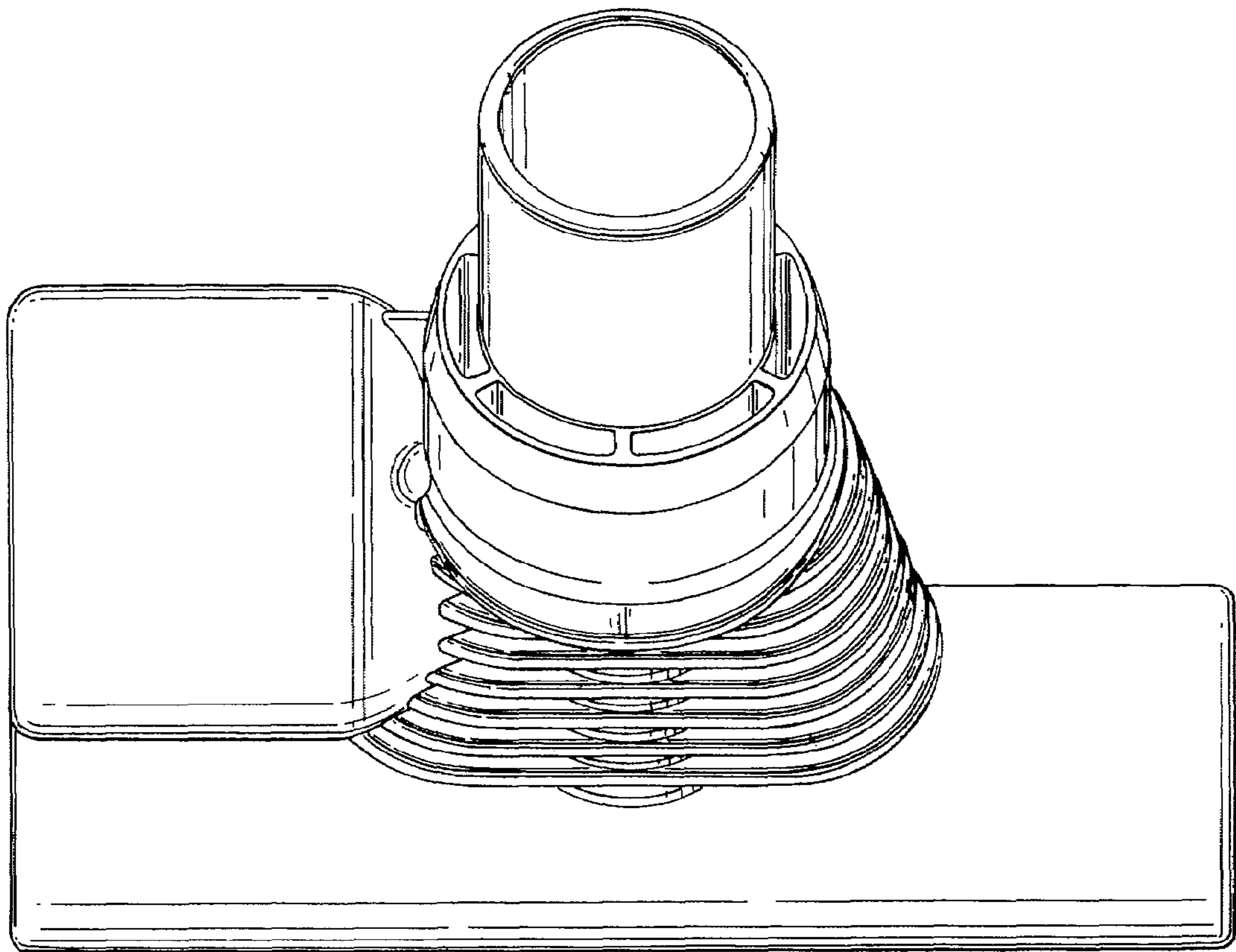


*Fig. 6*



*Fig. 7*





*Fig. 8*