



US00D599513S

(12) **United States Design Patent**
Dyson et al.

(10) **Patent No.:** **US D599,513 S**
(45) **Date of Patent:** **** Sep. 1, 2009**

(54) **TOOL FOR A DOMESTIC APPLIANCE**
(75) Inventors: **James Dyson**, Gloucestershire (GB);
Alexander Stuart Knox, Wiltshire (GB)
(73) Assignee: **Dyson Limited**, Malmesbury (GB)
(**) Term: **14 Years**
(21) Appl. No.: **29/300,652**
(22) Filed: **Apr. 23, 2008**

(30) **Foreign Application Priority Data**
Oct. 24, 2007 (GB) 4005030

(51) **LOC (9) Cl.** **15-05**
(52) **U.S. Cl.** **D32/32**
(58) **Field of Classification Search** D32/22,
D32/31-33, 38; 15/349, 329, 338, 357, 363,
15/366, 375, 378, 394, 399, 400, 246.2, 327.1,
15/327.6-327.7, 334, 415.1-422, 422.1,
15/412, 414, 393, 398, 350, 353-359; 55/DIG. 3
See application file for complete search history.

(56) **References Cited**
U.S. PATENT DOCUMENTS
5,564,161 A * 10/1996 Glatz 15/415.1
D427,737 S * 7/2000 Dyson et al. D32/32
D449,724 S * 10/2001 Nighy et al. D32/32
D460,231 S * 7/2002 Bagwell et al. D32/32
D511,231 S * 11/2005 Langham et al. D32/33

D518,933 S * 4/2006 Courtney D32/32
D564,720 S * 3/2008 Dyson et al. D32/32
D565,265 S * 3/2008 Quance et al. D32/32
D567,459 S * 4/2008 Dyson et al. D32/32
D570,561 S * 6/2008 Dyson et al. D32/22
D591,016 S * 4/2009 Dyson et al. D32/22

* cited by examiner

Primary Examiner—Ruth McInroy

(74) *Attorney, Agent, or Firm*—Morrison & Foerster LLP

(57) **CLAIM**

We claim the ornamental design for a tool for a domestic appliance, as shown and described.

DESCRIPTION

FIG. 1 is a perspective view of a tool for a domestic appliance showing our new design;

FIG. 2 is a bottom perspective view thereof;

FIG. 3 is a plan view thereof from above;

FIG. 4 is a bottom view thereof;

FIG. 5 is a side view thereof;

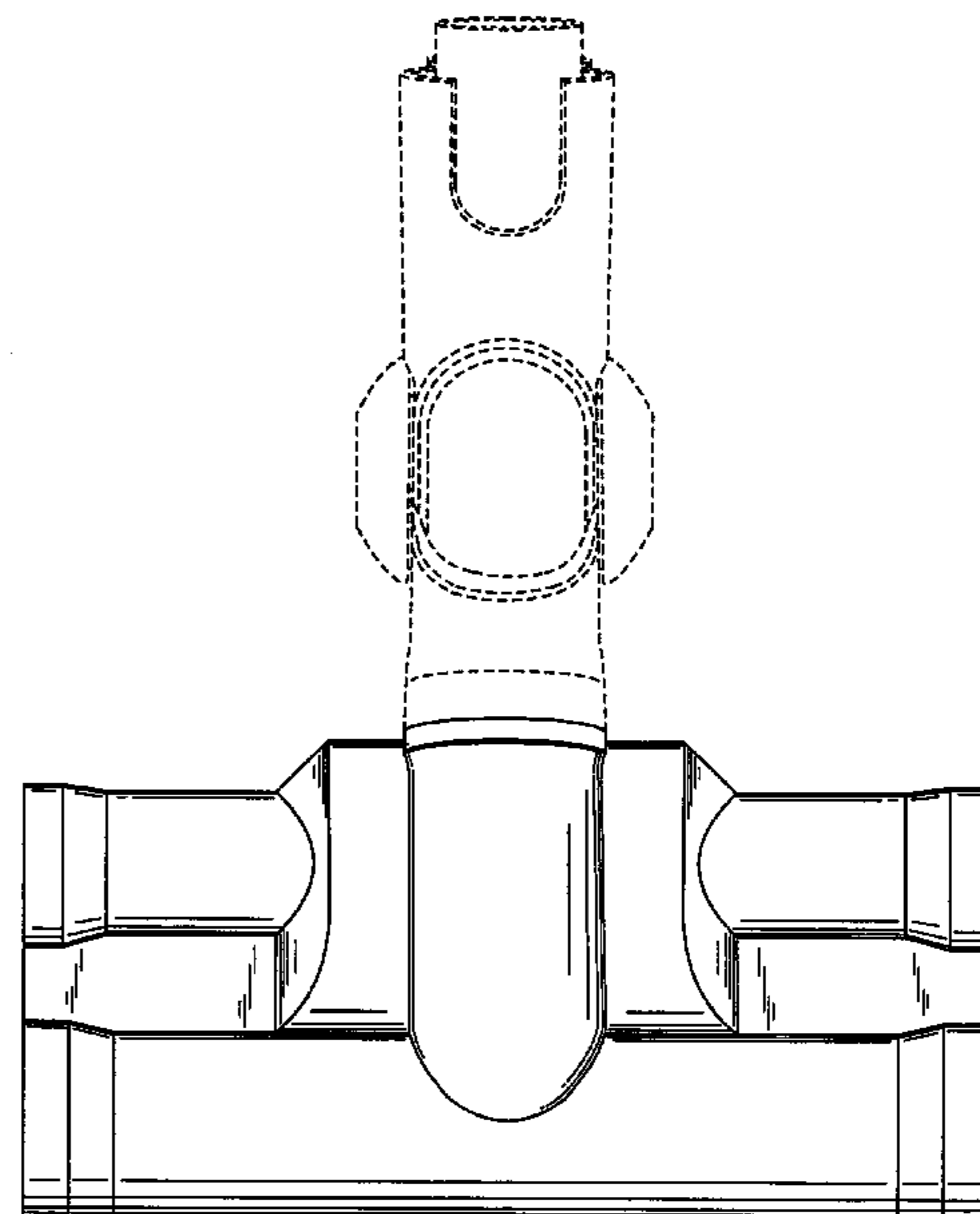
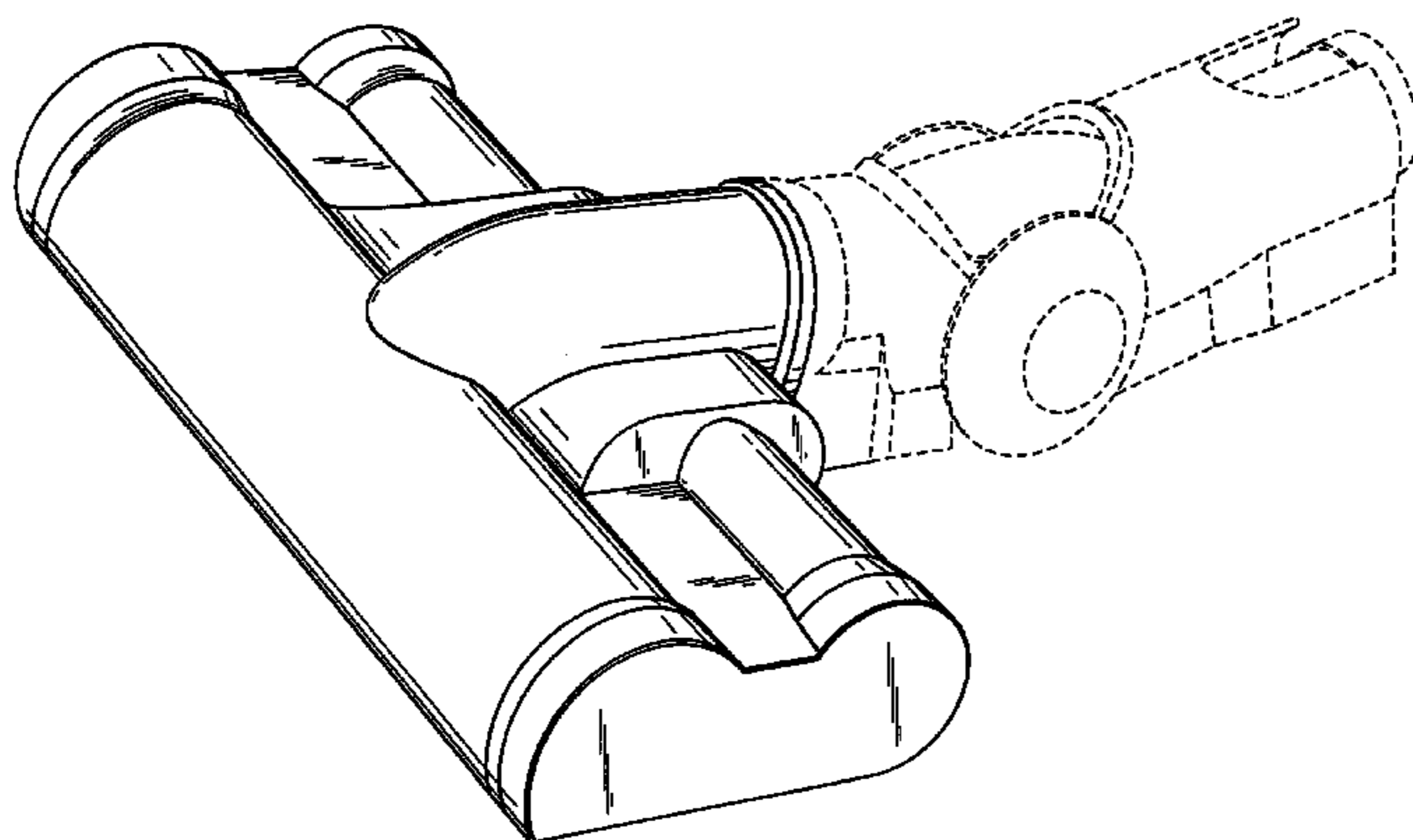
FIG. 6 is a side view of the opposite side of FIG. 5;

FIG. 7 is a front view thereof; and,

FIG. 8 is a rear view thereof.

The features of the design as claimed by applicants are shown in bold lines. The features shown in dotted lines are not claimed and are provided to indicate the context of the design.

1 Claim, 6 Drawing Sheets



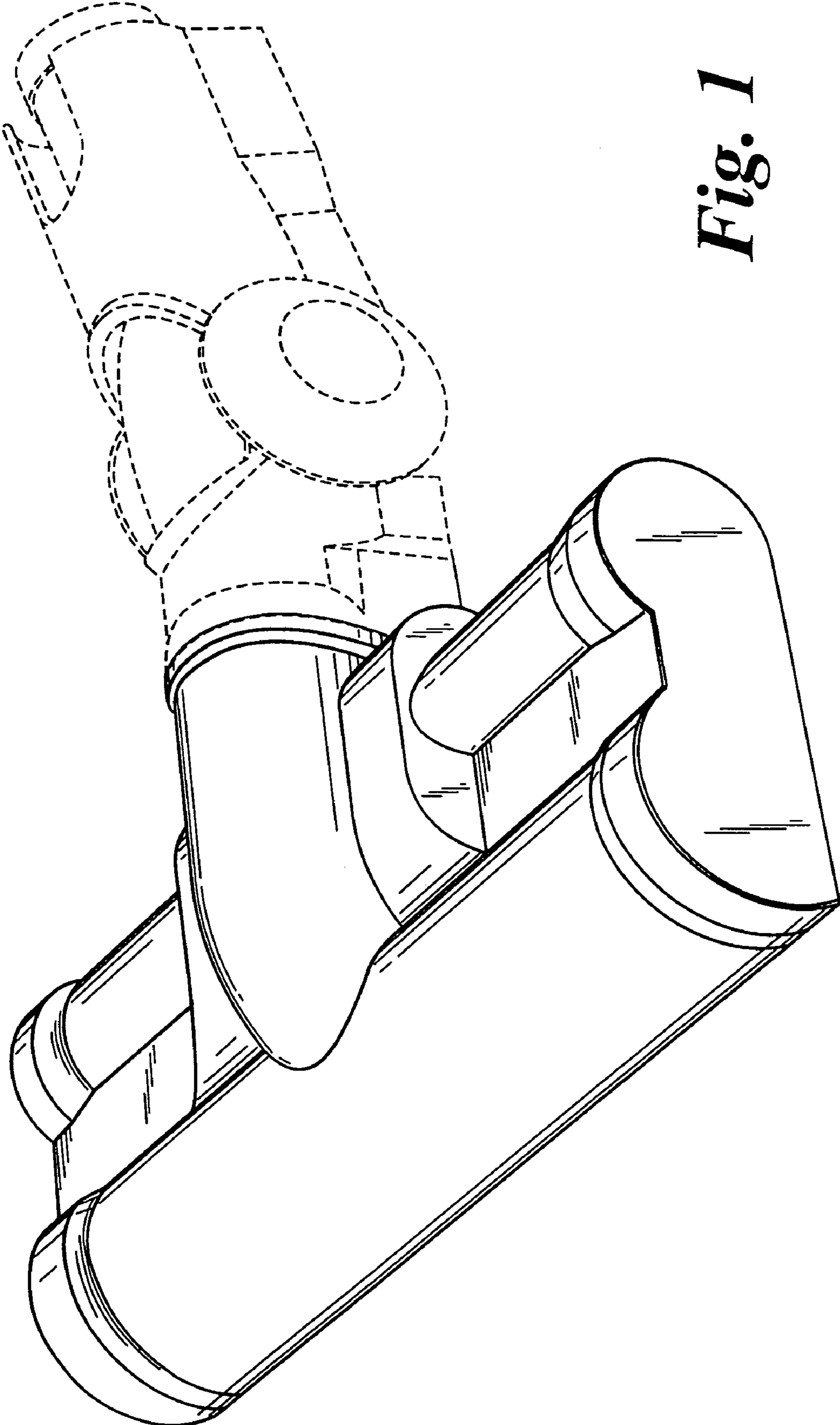


Fig. 1

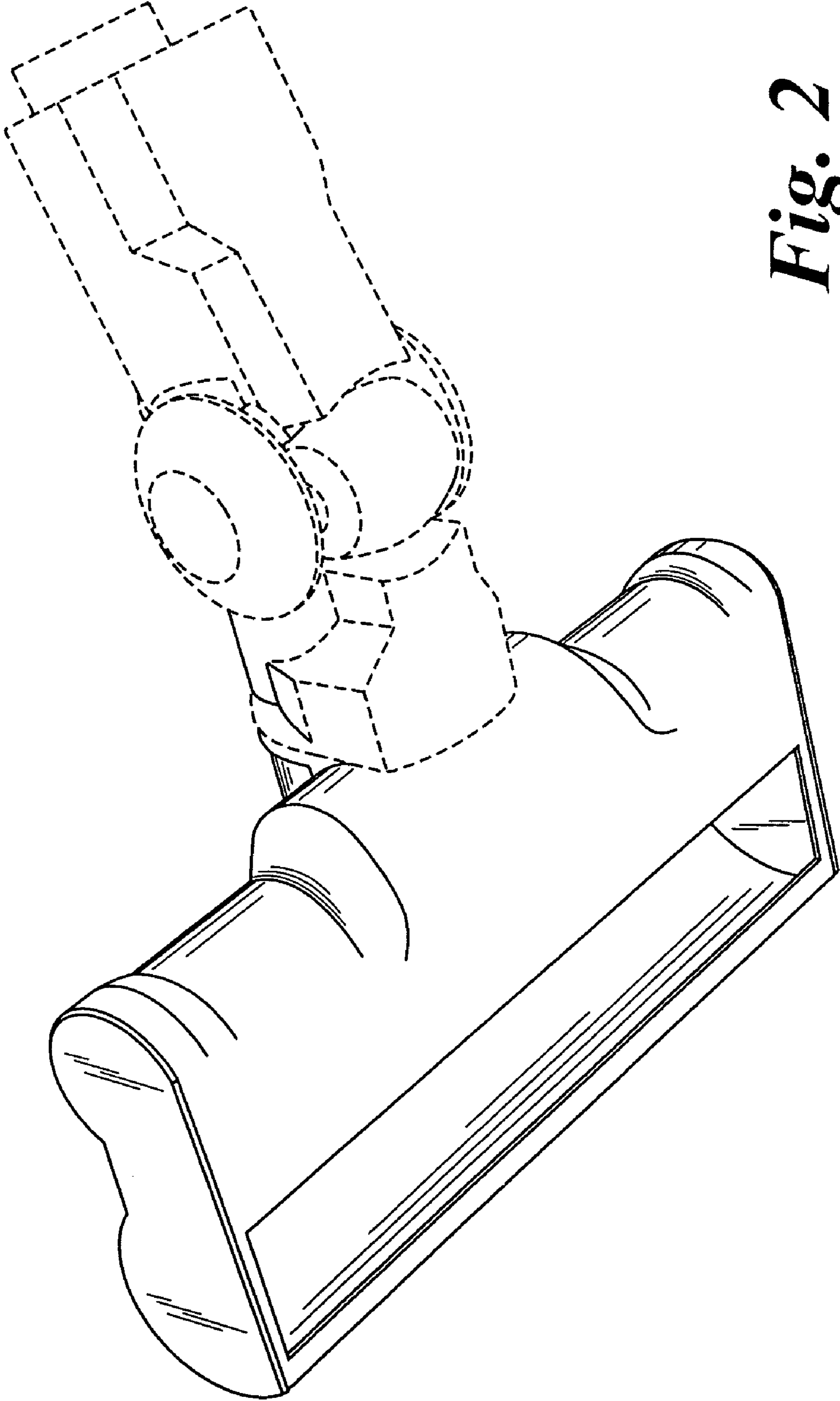


Fig. 2

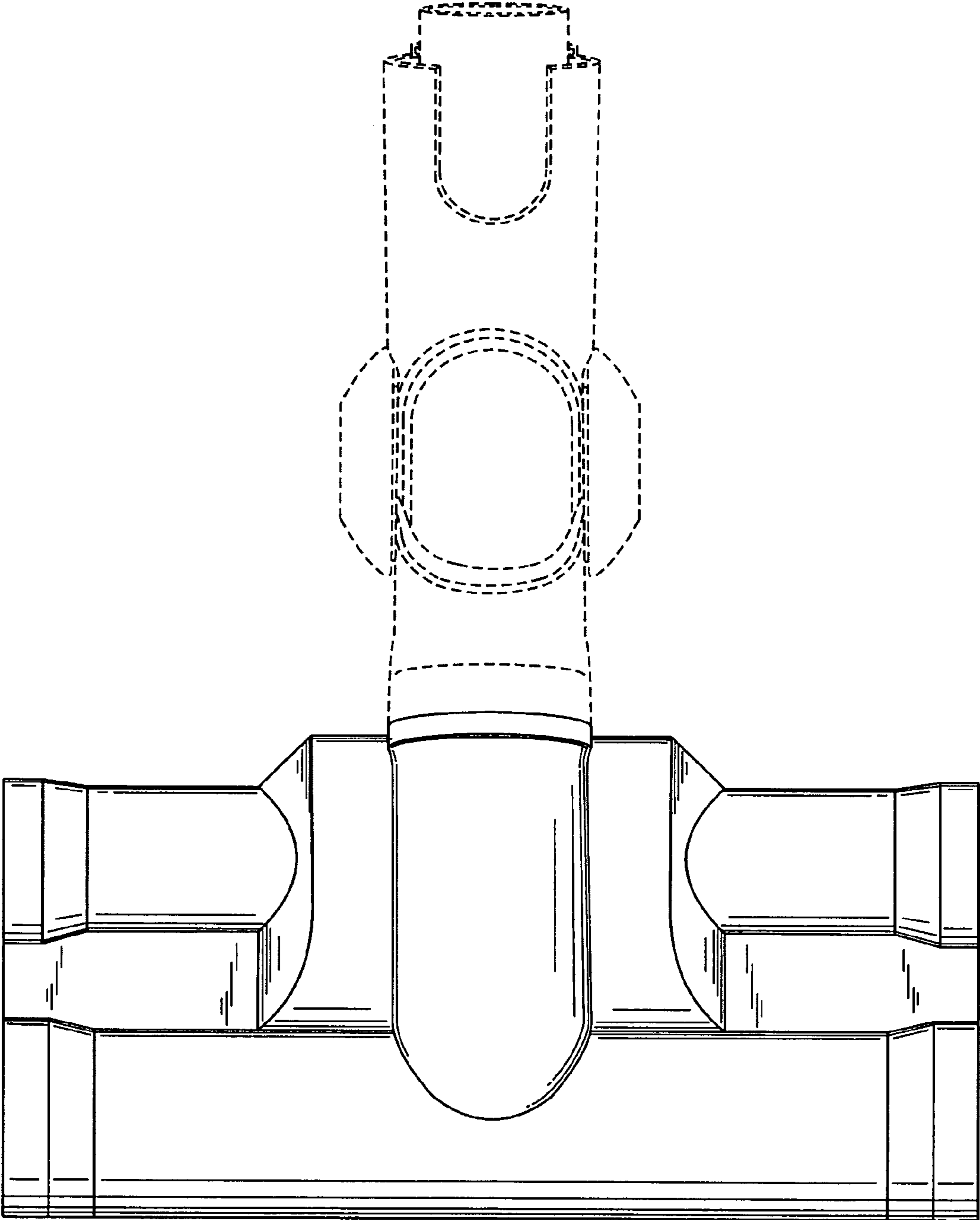


Fig. 3

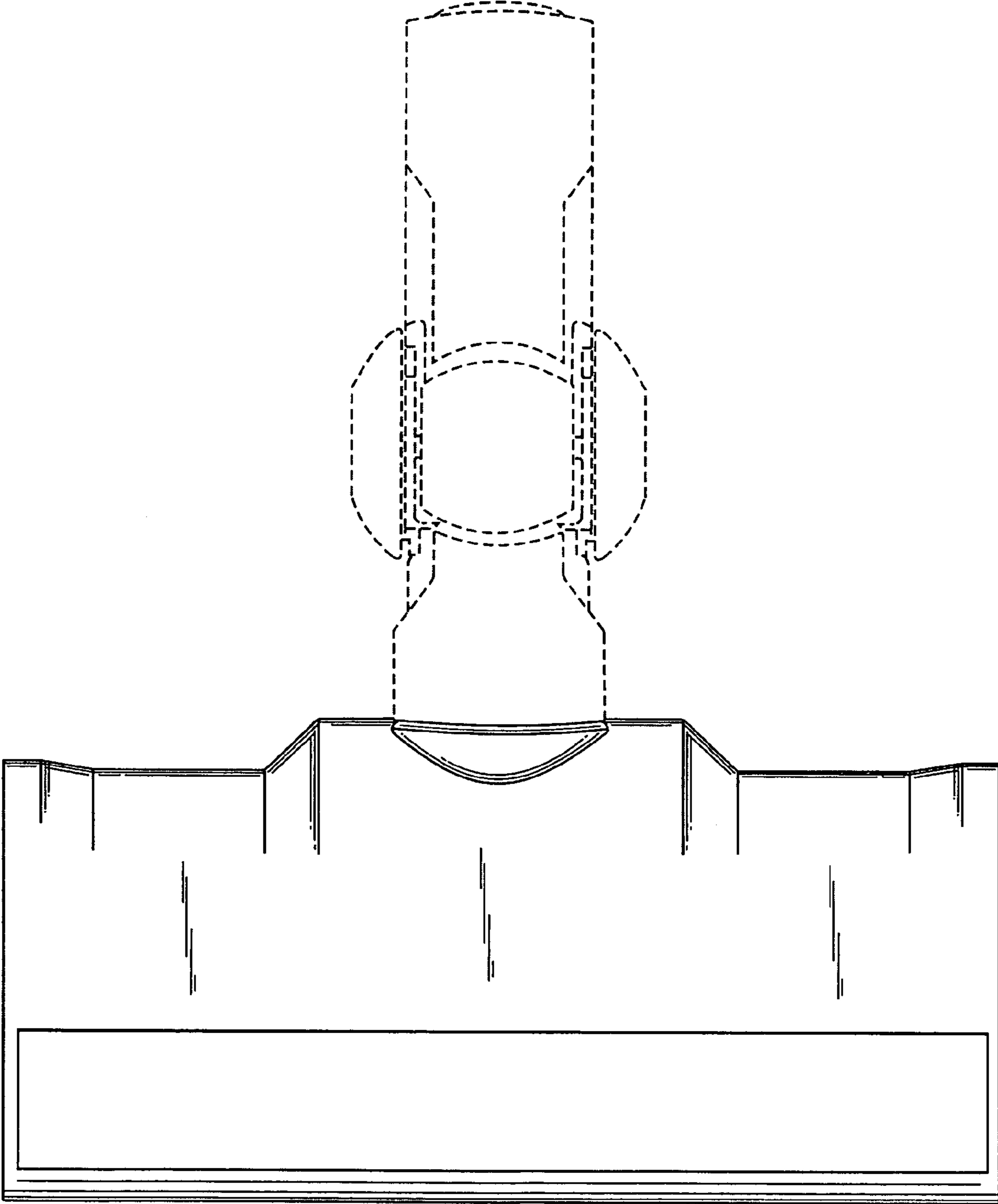


Fig. 4

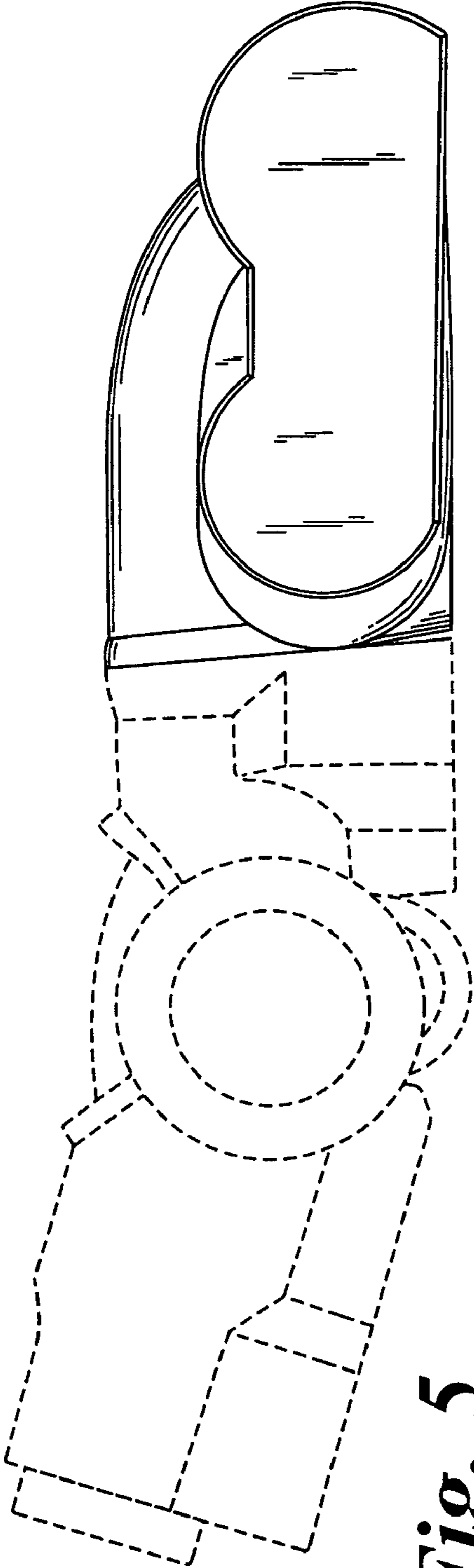


Fig. 5

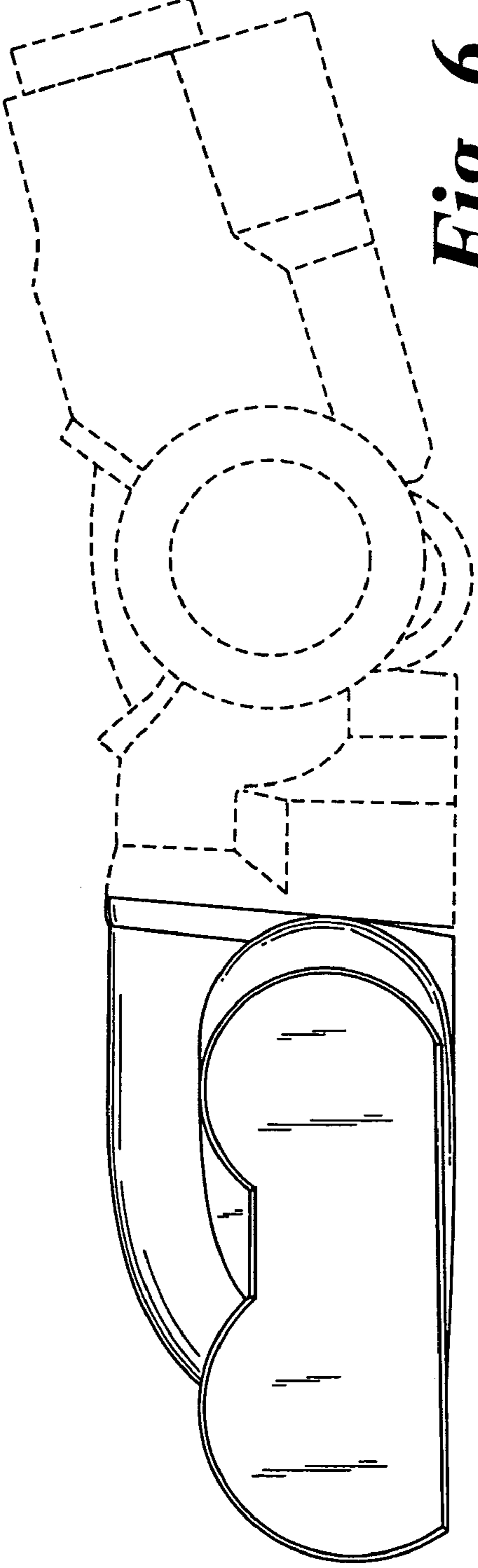


Fig. 6

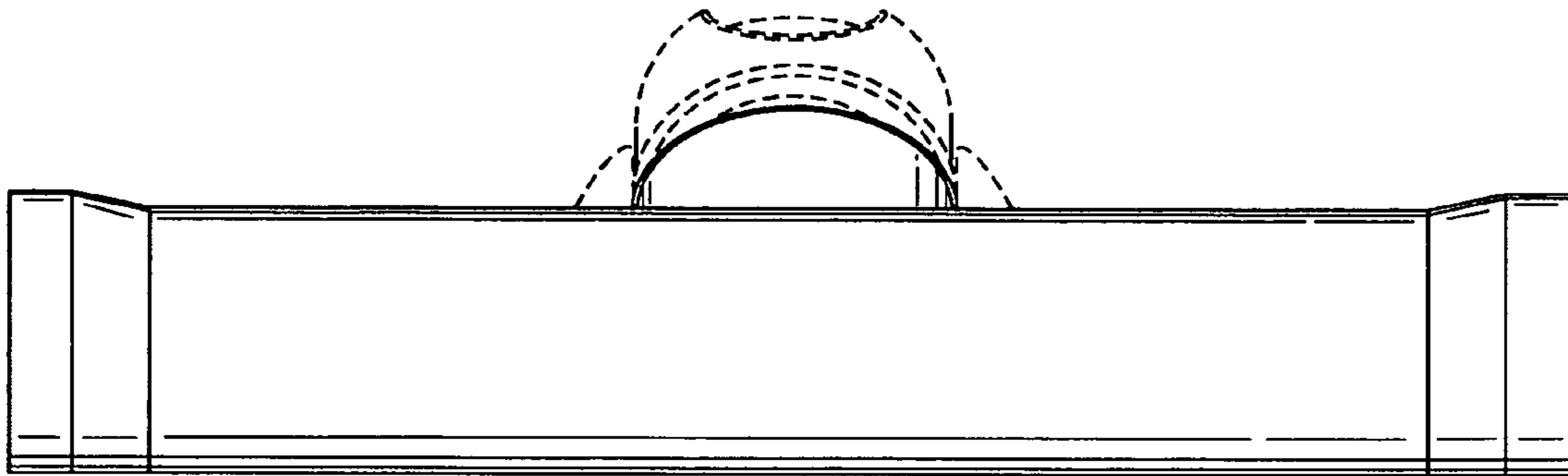


Fig. 7

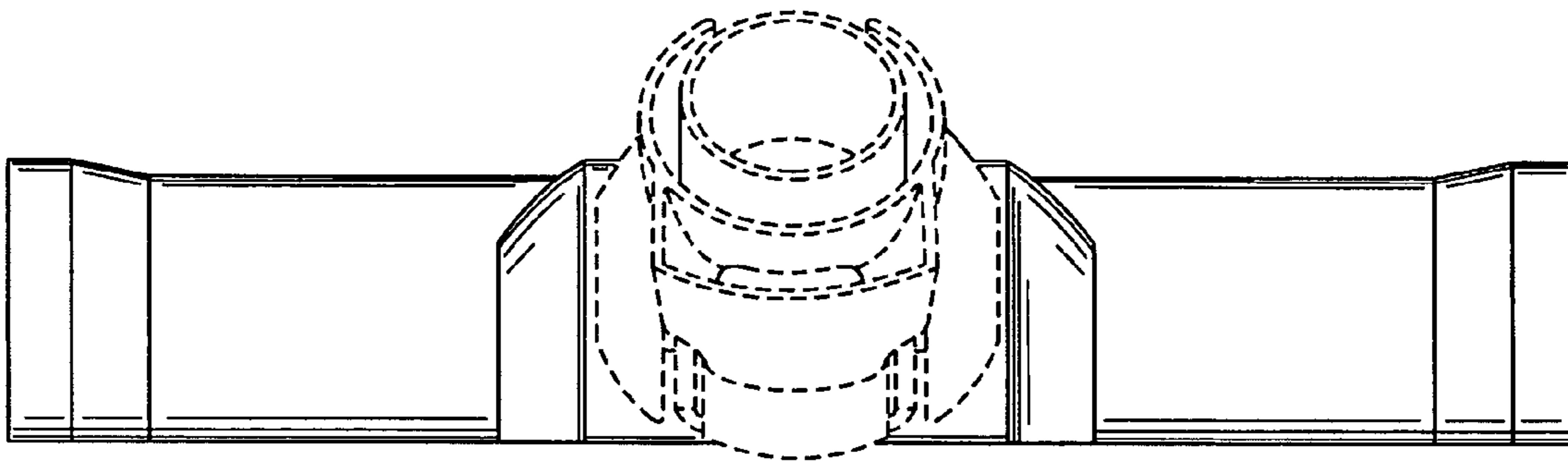


Fig. 8