



US00D599510S

(12) **United States Design Patent**
Monson

(10) **Patent No.:** **US D599,510 S**

(45) **Date of Patent:** **** Sep. 1, 2009**

(54) **EXTRACTOR**

(76) **Inventor:** **Clifford L. Monson**, 6115 130th Ave.,
NE., Kirkland, WA (US) 98033

(**) **Term:** **14 Years**

(21) **Appl. No.:** **29/307,687**

(22) **Filed:** **May 6, 2008**

(51) **LOC (9) Cl.** **15-05**

(52) **U.S. Cl.** **D32/8**

(58) **Field of Classification Search** D32/1,
D32/8, 15-16, 21; 15/49.1, 98, 320-321,
15/353

See application file for complete search history.

(56) **References Cited**

U.S. PATENT DOCUMENTS

D213,639 S *	3/1969	Fegan	D32/21
D213,642 S *	3/1969	Fegan	D32/21
D247,039 S *	1/1978	Lawson	D32/21
D293,950 S *	1/1988	Ogden et al.	D32/21
D297,060 S *	8/1988	Kent	D32/21
D297,061 S *	8/1988	Kent	D32/21

D304,251 S *	10/1989	Purkapile	D32/21
D324,280 S *	2/1992	Goodrich	D32/21
D343,706 S *	1/1994	Gurstein	D32/21

* cited by examiner

Primary Examiner—T. Chase Nelson

Assistant Examiner—Kathleen M Sims

(74) *Attorney, Agent, or Firm*—Gregory W. Moravan

(57) **CLAIM**

The ornamental design for an extractor, as shown.

DESCRIPTION

FIG. 1 is a front perspective view of an extractor showing my new design;

FIG. 2 is a front elevational view thereof;

FIG. 3 is a back elevational view thereof;

FIG. 4 is a left side elevational view thereof;

FIG. 5 is a right side elevational view thereof;

FIG. 6 is a top plan view thereof; and,

FIG. 7 is a bottom plan view thereof.

1 Claim, 3 Drawing Sheets

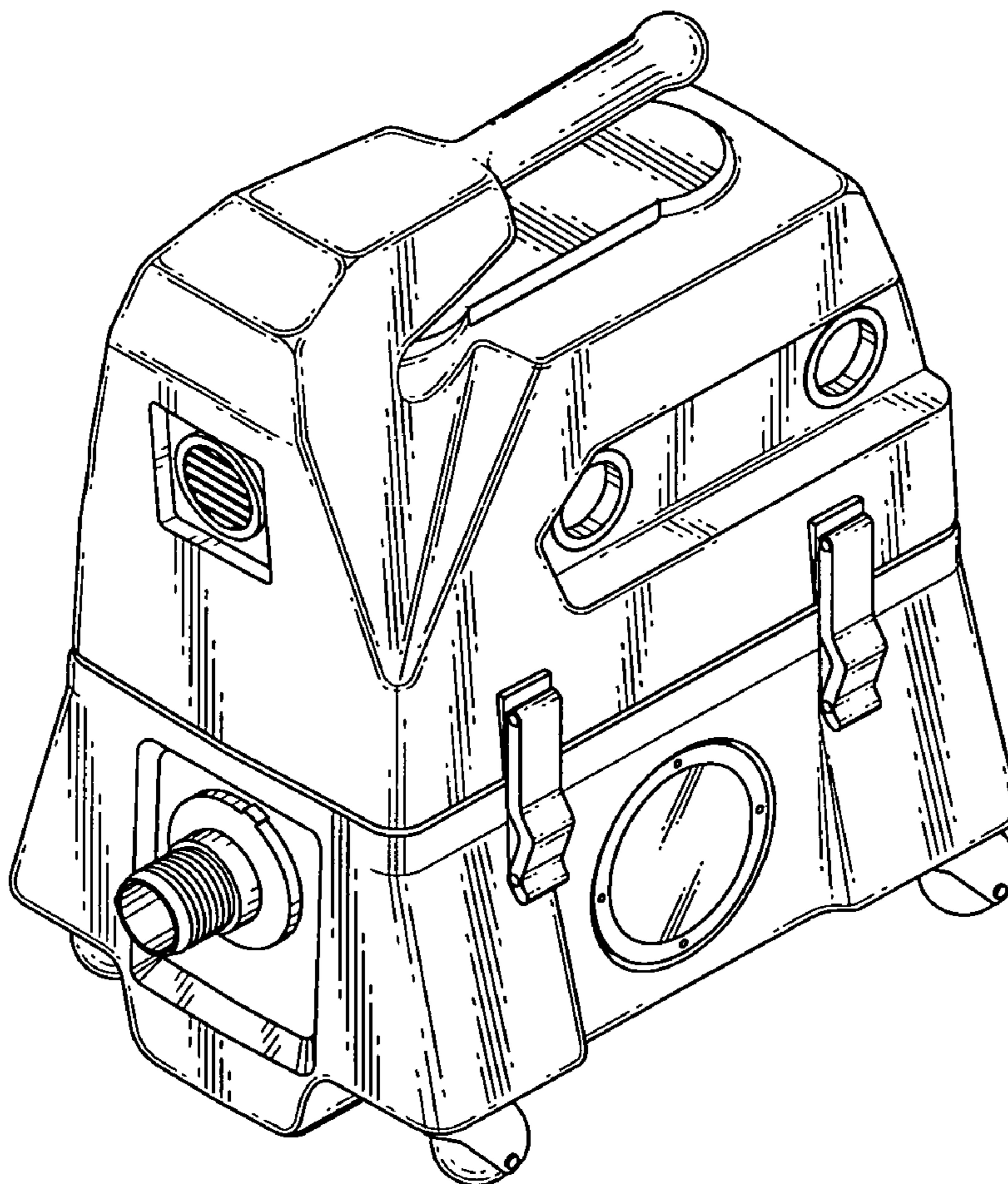


FIG. 1

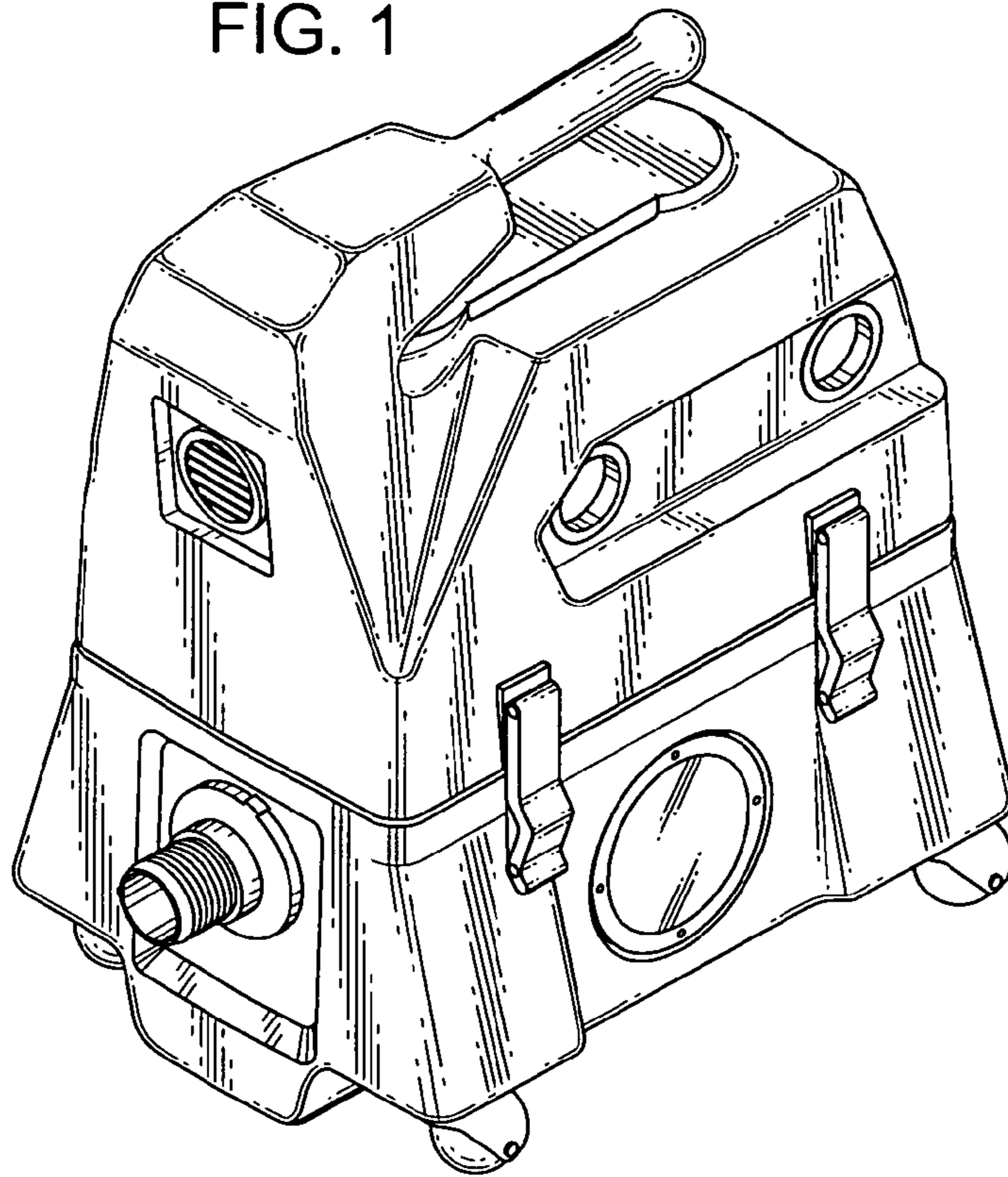


FIG. 2

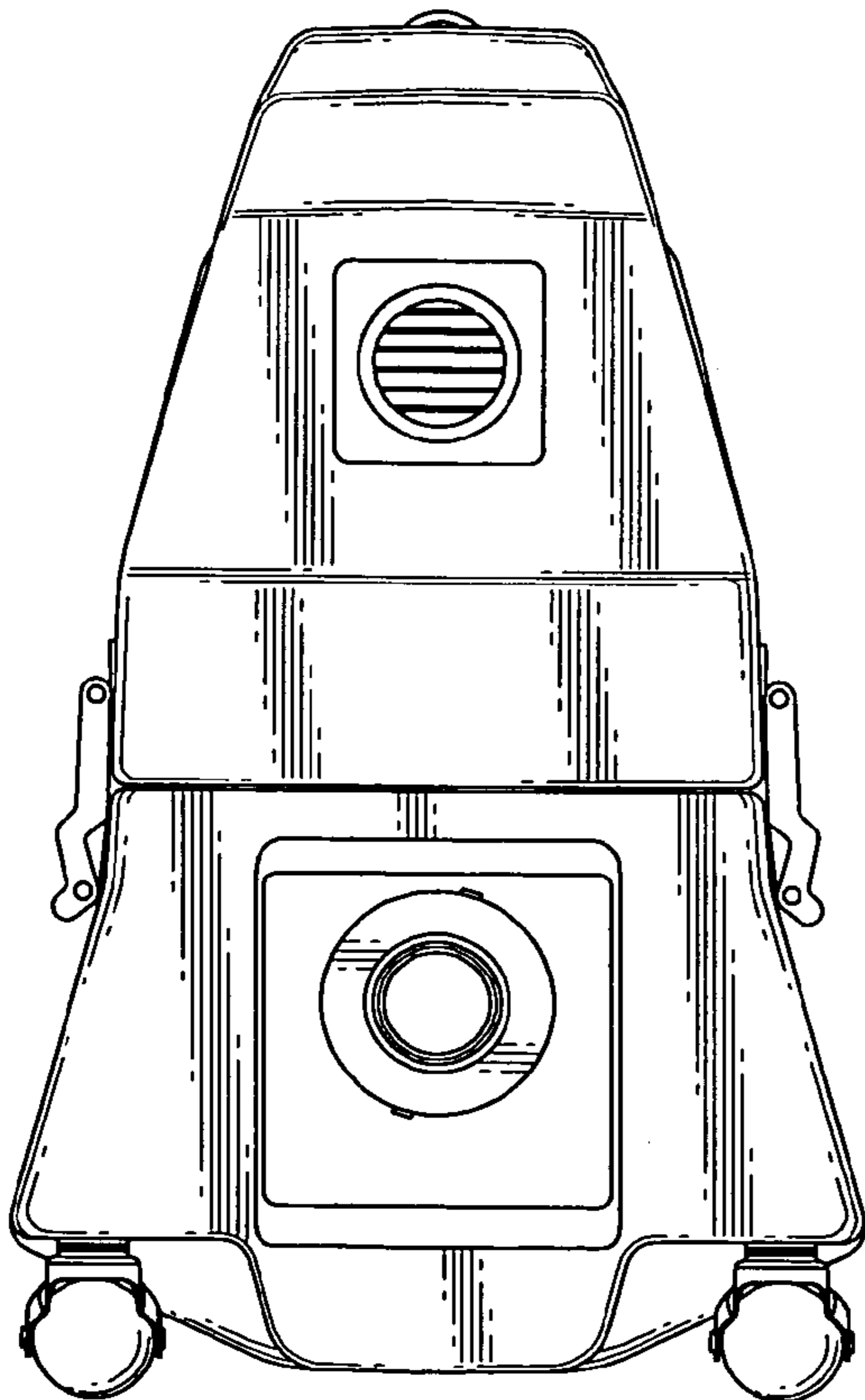


FIG. 3

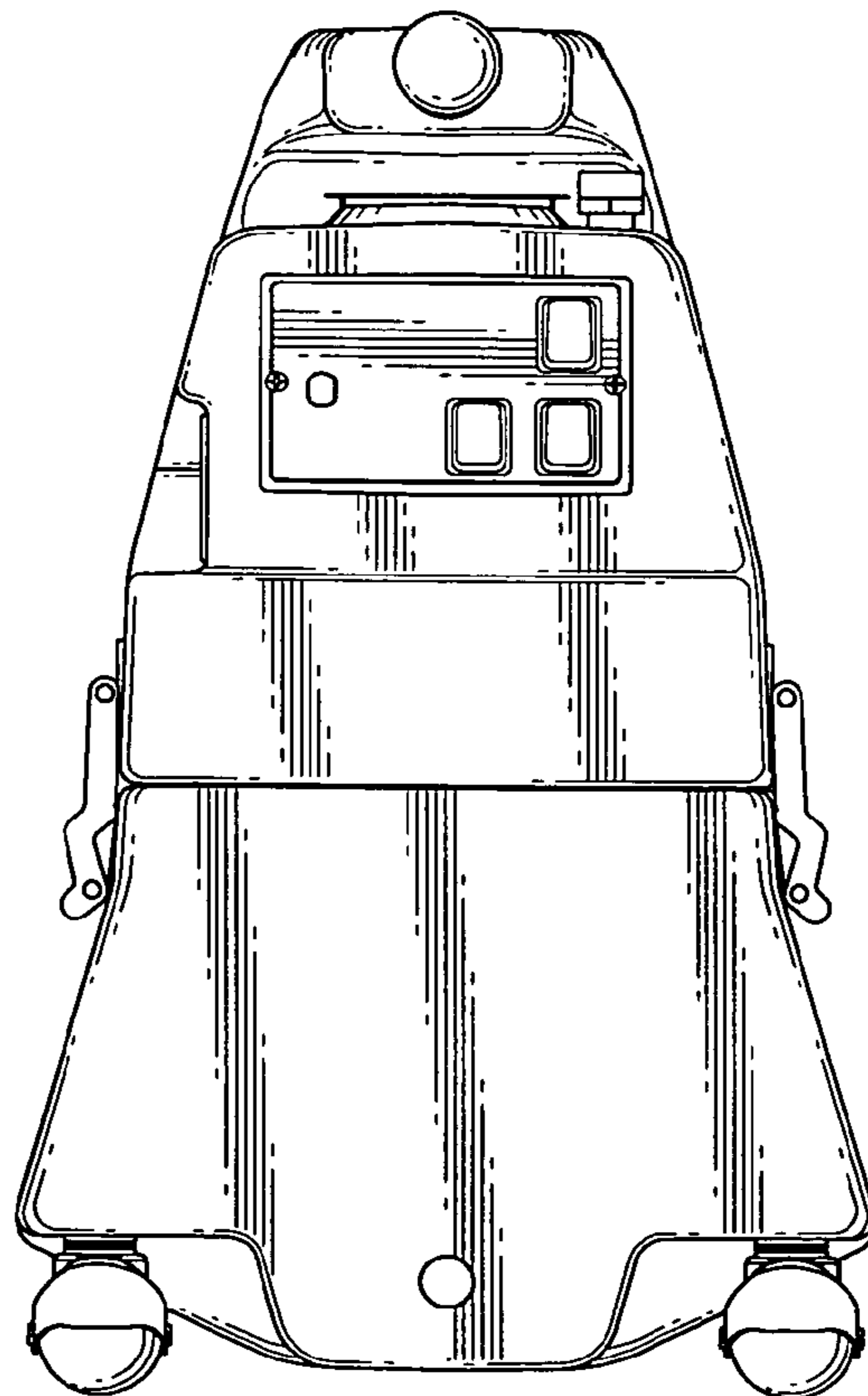


FIG. 4

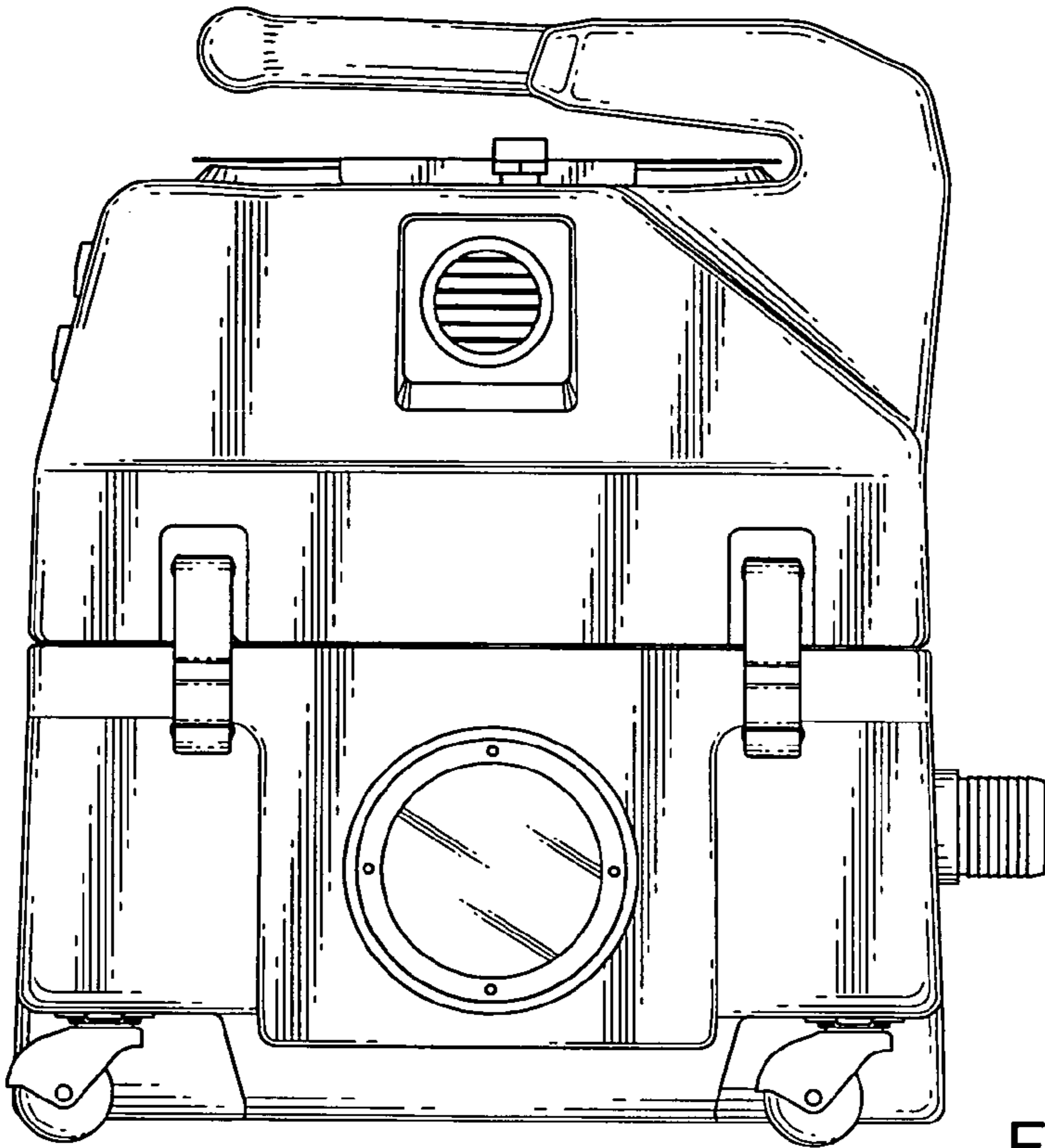


FIG. 5

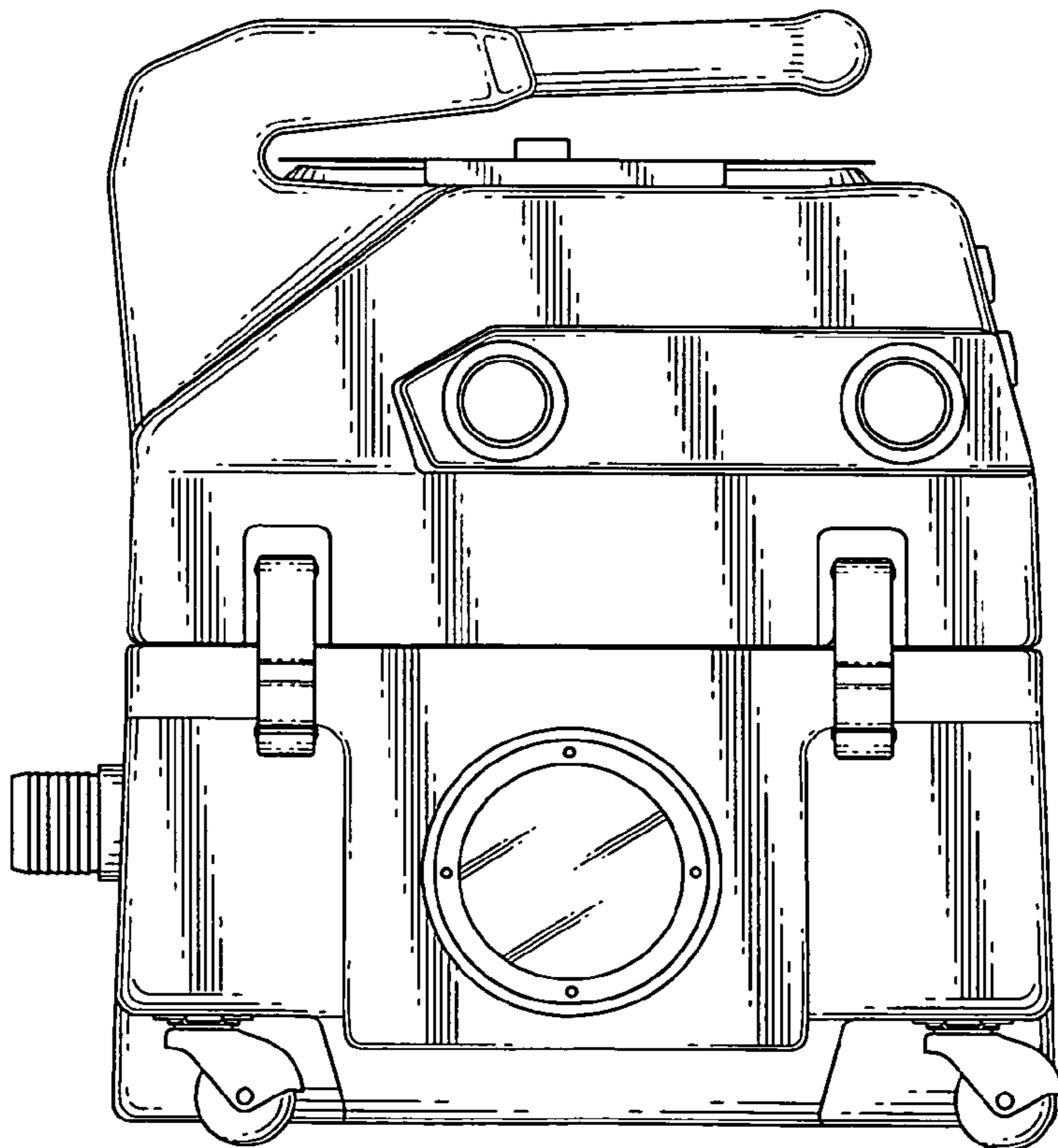


FIG. 6

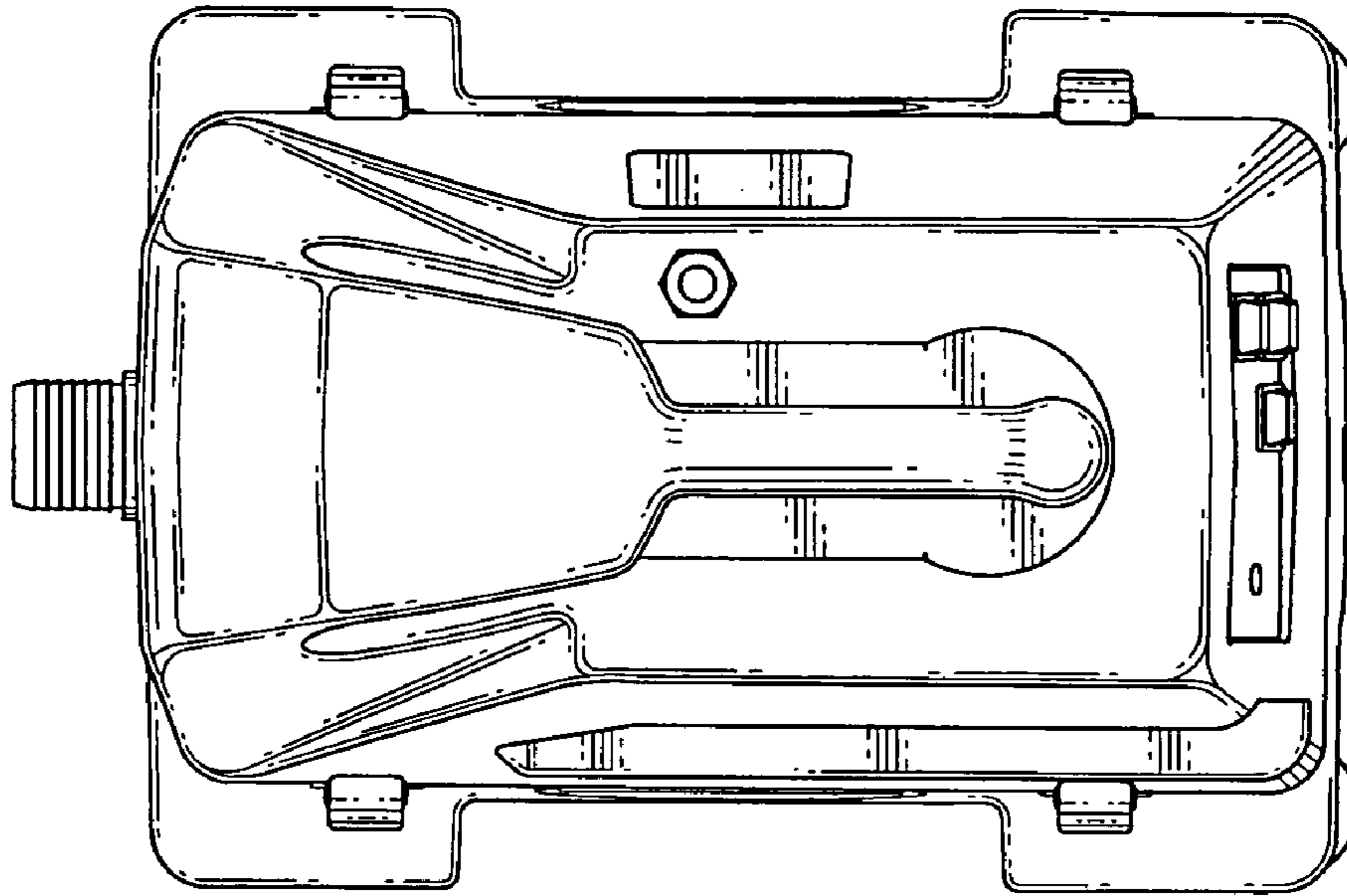


FIG. 7

