



US00D599504S

(12) **United States Design Patent**  
**Halip et al.**

(10) **Patent No.:** **US D599,504 S**

(45) **Date of Patent:** **\*\* Sep. 1, 2009**

(54) **HARNESS FOR DOG**

(76) Inventors: **Jack Halip**, 41 Adelaide Street North,  
London, ON (CA) N6B 3P4; **Donal**  
**McKeown**, 41 Adelaide Street North,  
London, ON (CA) N6B 3P4

(\*\*) Term: **14 Years**

(21) Appl. No.: **29/300,015**

(22) Filed: **Feb. 8, 2008**

(51) **LOC (9) Cl.** ..... **30-04**

(52) **U.S. Cl.** ..... **D30/152**

(58) **Field of Classification Search** ..... D30/152,  
D30/144, 151, 153, 154; 119/702, 712, 792-798,  
119/758, 760, 769, 770, 784, 815, 818, 856,  
119/863, 864, 905, 907, 802, 857, 865, 725,  
119/771; D21/805, 804; D3/217, 327, 271.2;  
D29/101.1, 101.5, 101.3; D24/190; D34/28;  
54/71

See application file for complete search history.

(56) **References Cited**

U.S. PATENT DOCUMENTS

2,026,383 A \* 12/1935 Gyulay ..... 119/863  
2,826,172 A \* 3/1958 Buckle et al. .... 119/792  
5,167,203 A \* 12/1992 Scott et al. .... 119/771

5,247,905 A \* 9/1993 Arakawa ..... 119/863  
6,450,130 B1 \* 9/2002 Goldberg ..... 119/792  
D511,596 S \* 11/2005 Mugford ..... D30/152  
2003/0066494 A1 \* 4/2003 Hippensteel ..... 119/792

\* cited by examiner

*Primary Examiner*—Susan Moon Lee

(57) **CLAIM**

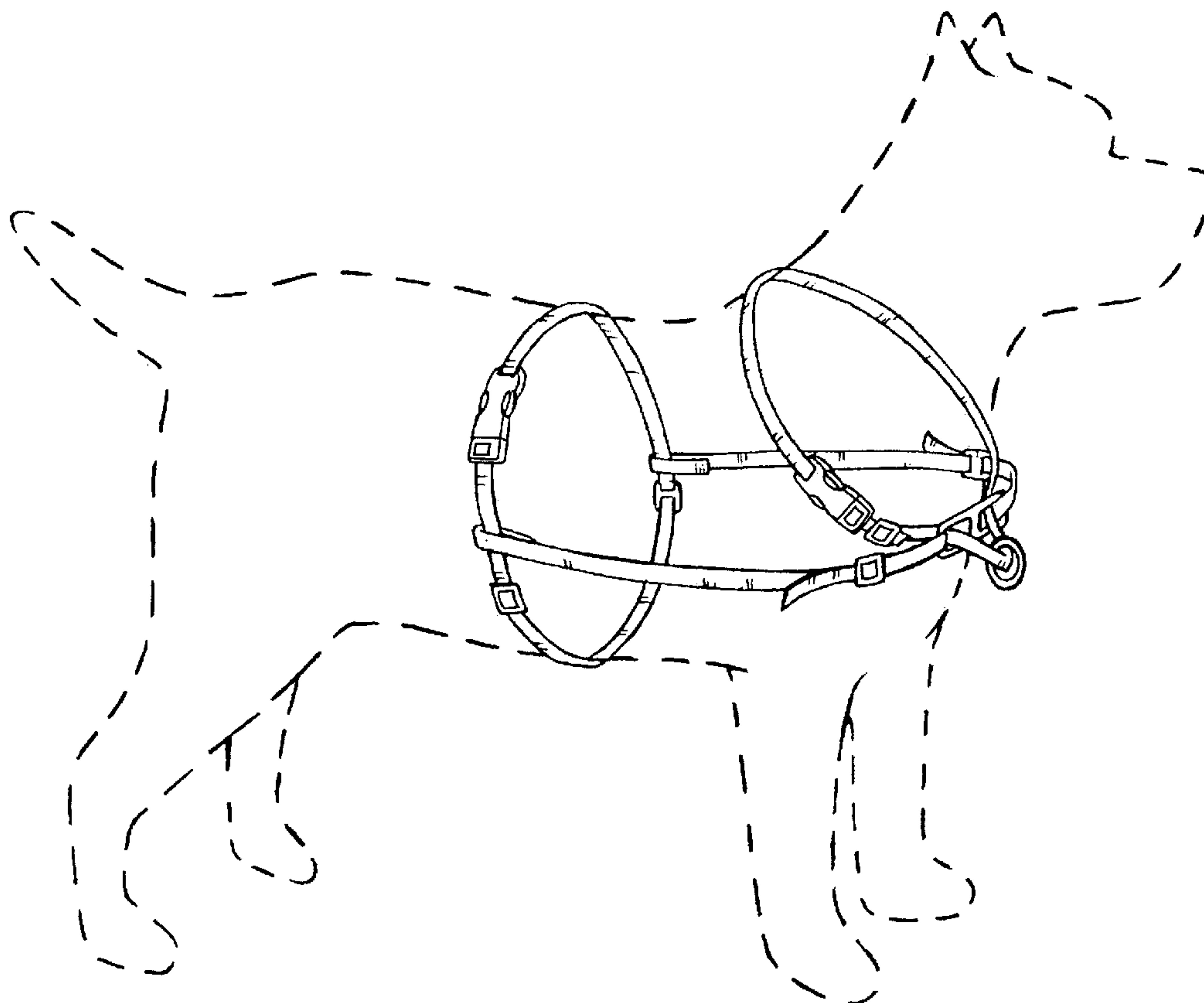
The ornamental design for a harness for dog, as shown and described above.

**DESCRIPTION**

FIG. 1 is a right plan view of the harness  
FIG. 2 is a left plan view of the harness.  
FIG. 3 is a front plan view of the harness;  
FIG. 4 is a rear plan view of the harness;  
FIG. 5 is a top plan view of the harness;  
FIG. 6 is a bottom plan view of the harness; and,  
FIG. 7 is a reduced perspective view of the harness in use on  
a dog, wherein the dog is depicted in solid lines and is not  
claimed.

The broken line showing of a quadruped is for illustrative  
purposes only and not claimed.

**1 Claim, 7 Drawing Sheets**



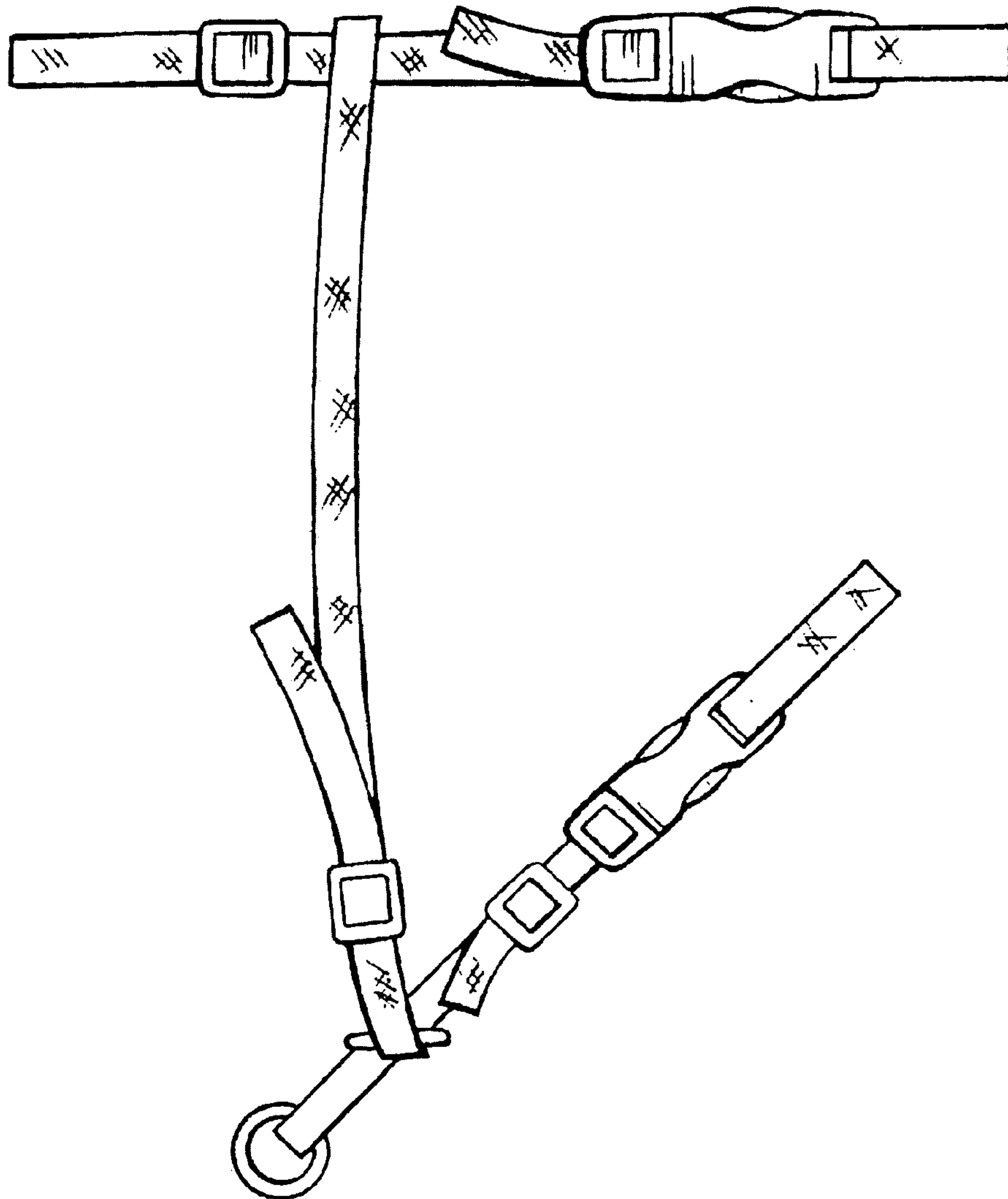


FIGURE 1

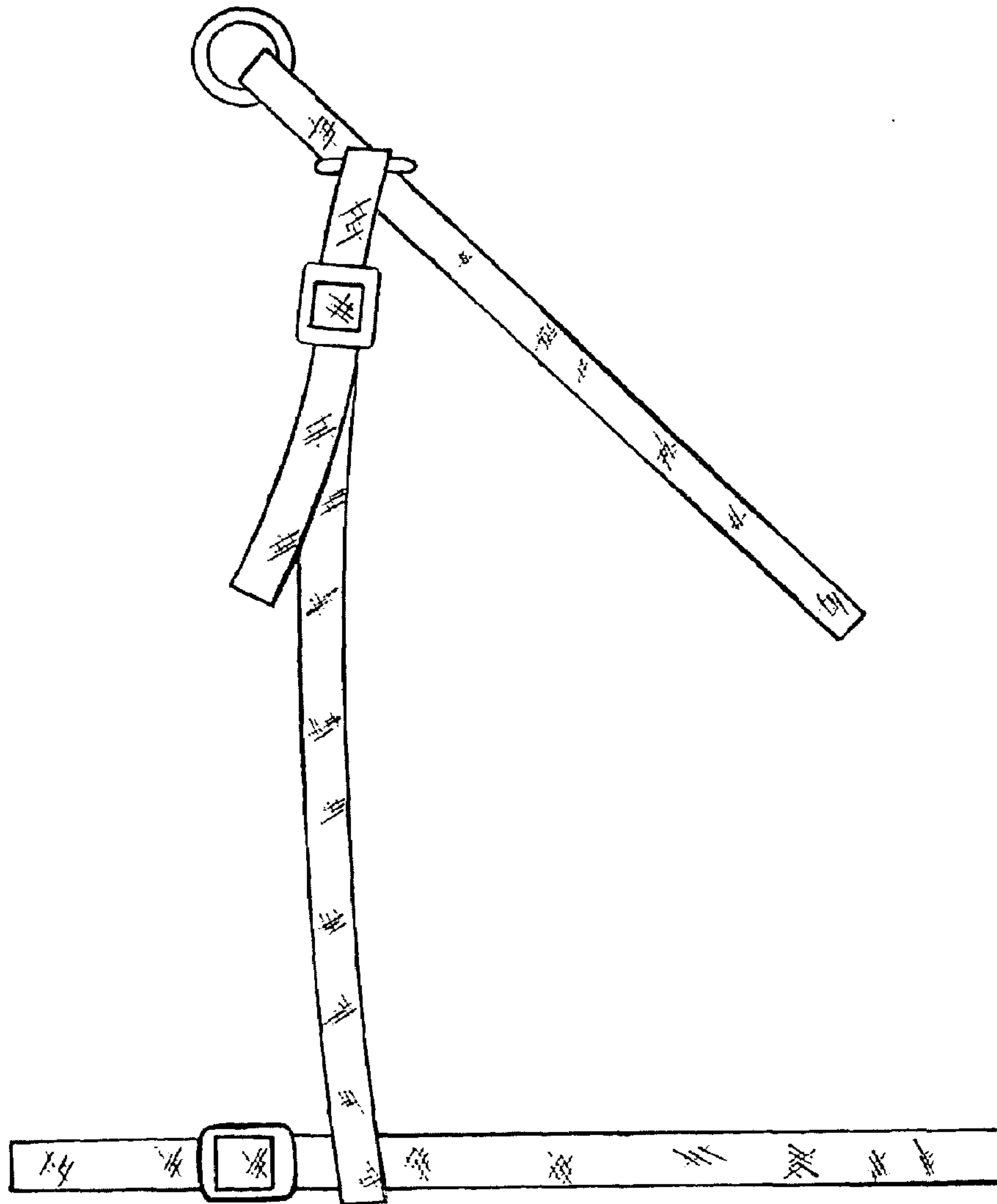


FIGURE 2

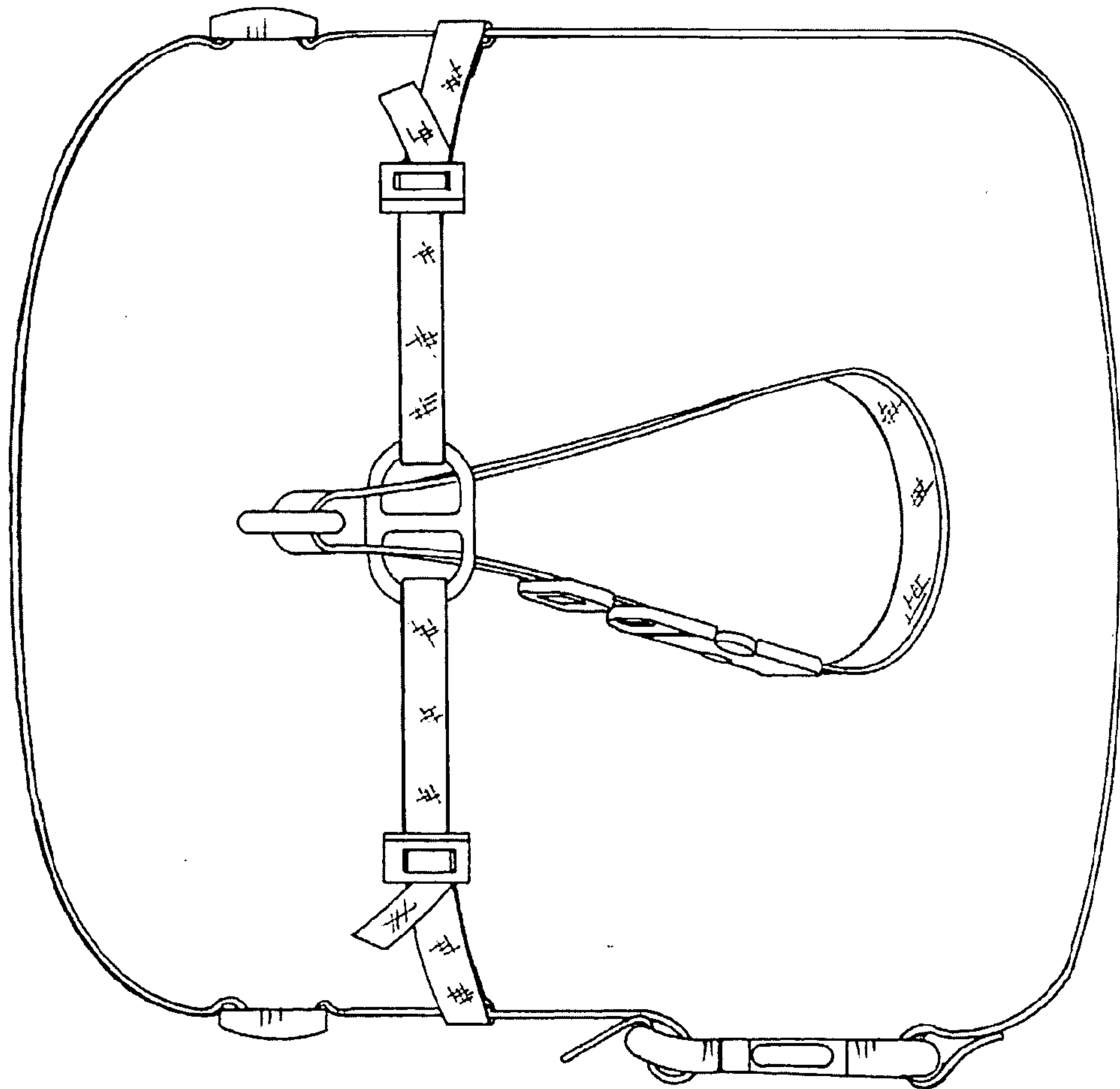


FIGURE 3

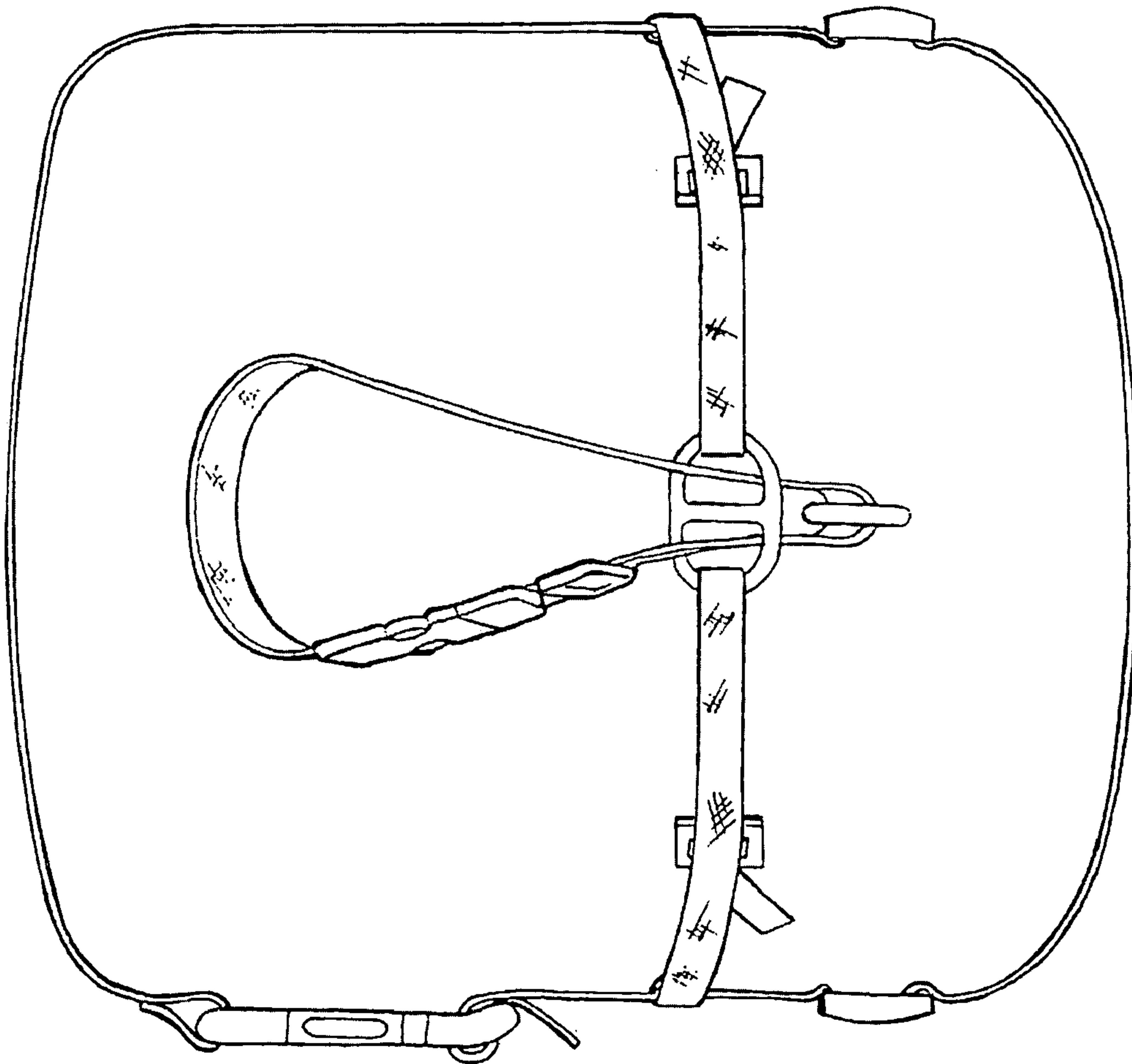


FIGURE 4

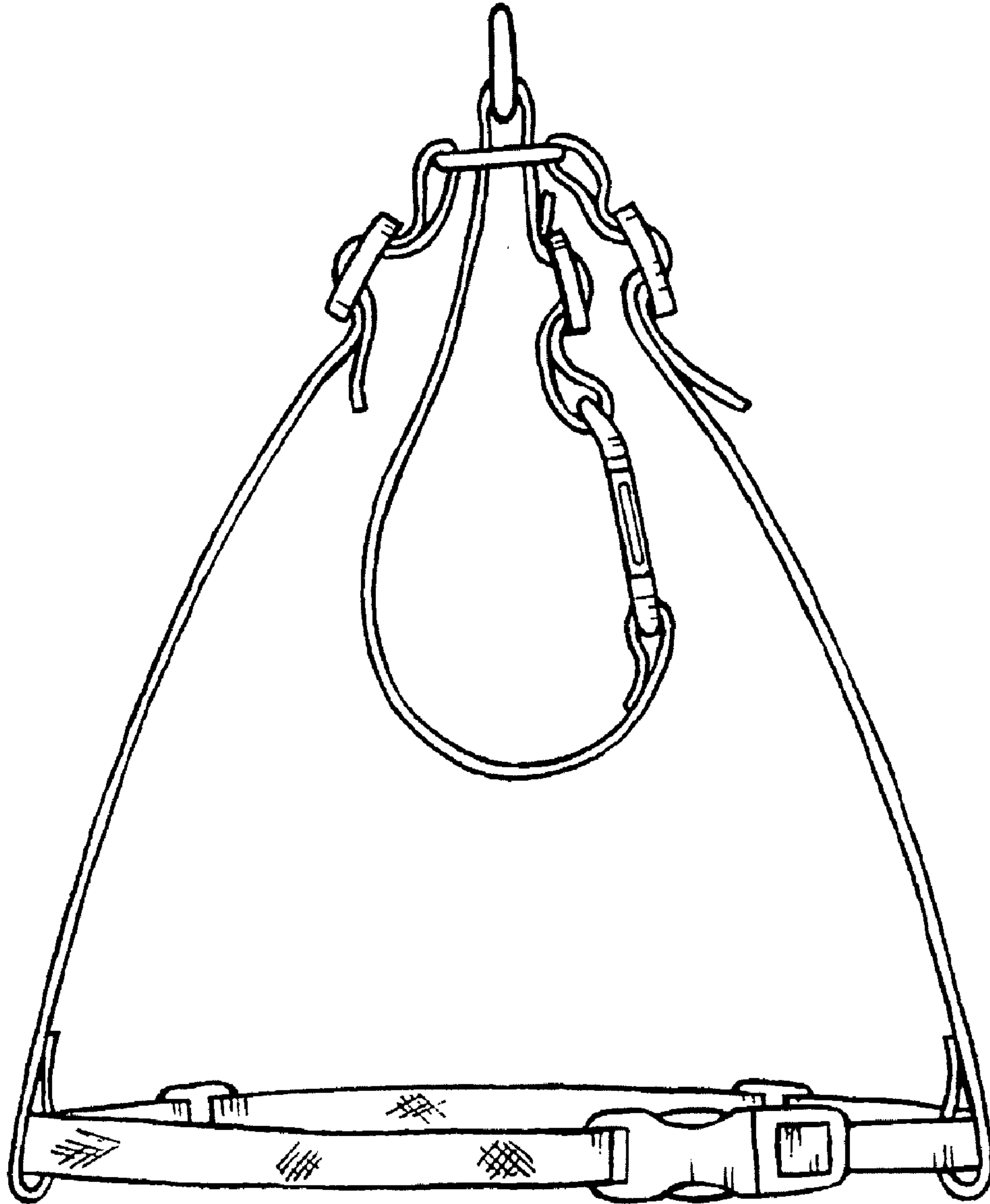


FIGURE 5

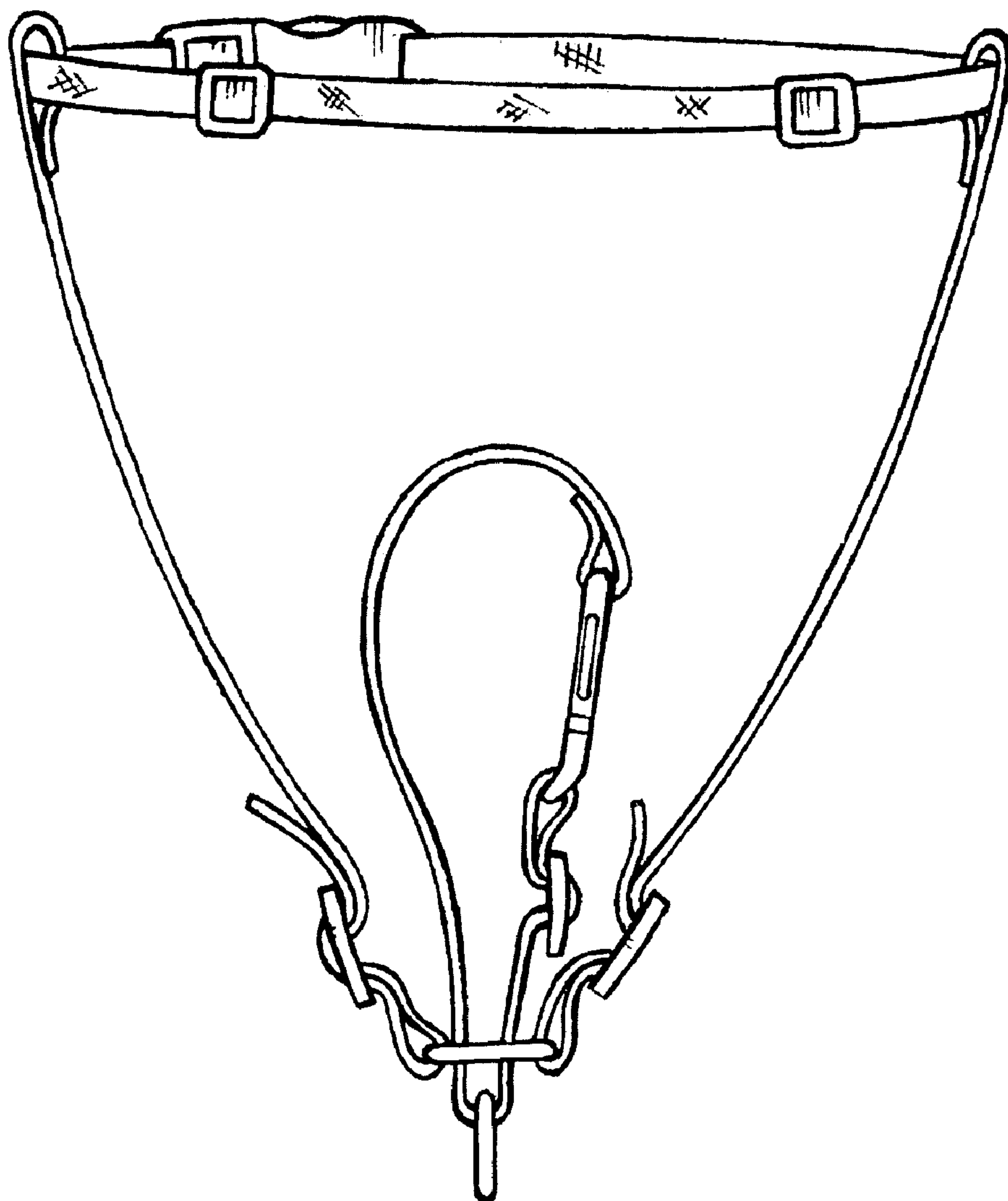


FIGURE 6



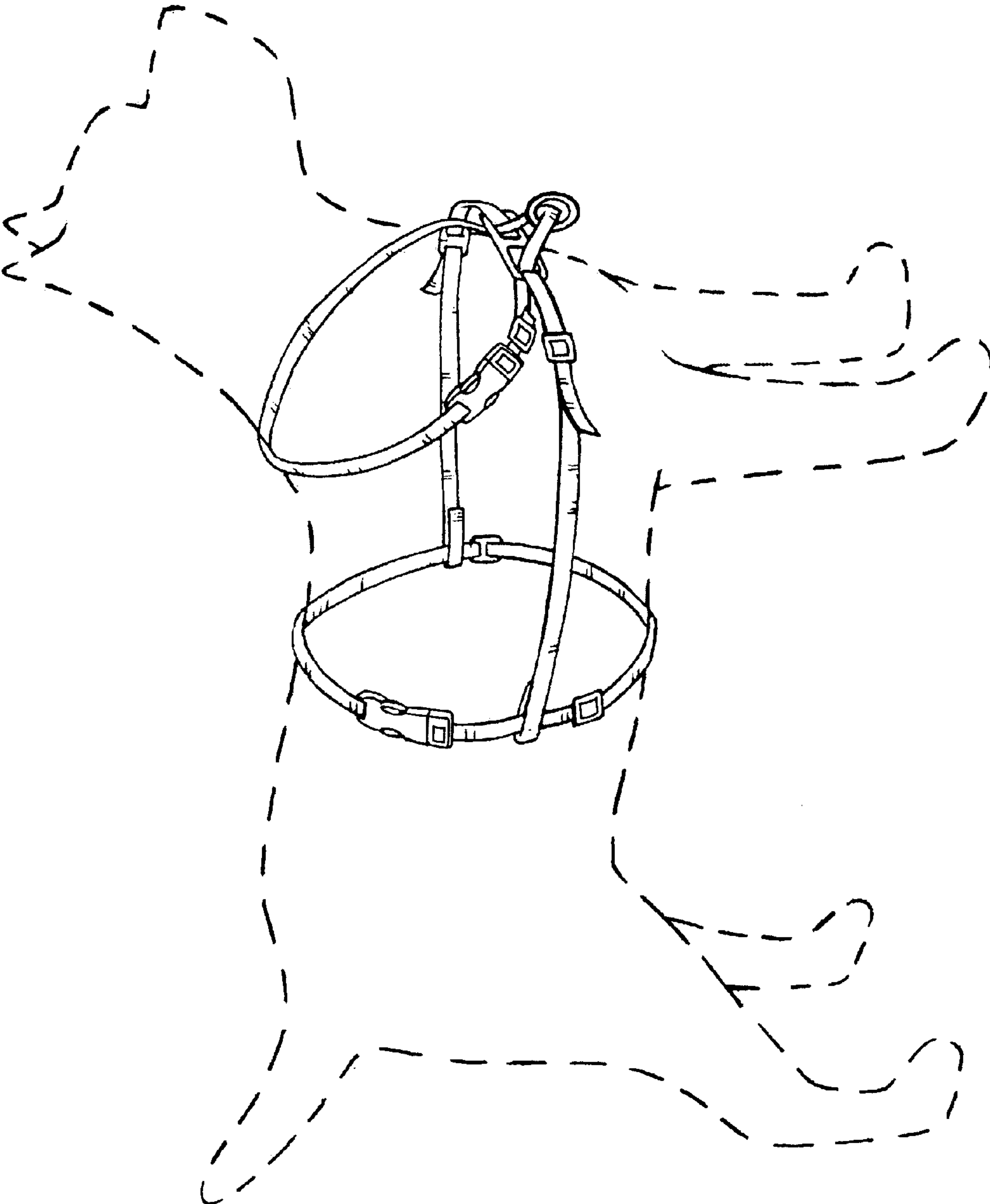


FIGURE 7