

US00D599503S

(12) **United States Design Patent**
Meritt

(10) **Patent No.:** **US D599,503 S**
(45) **Date of Patent:** **** Sep. 1, 2009**

(54) **FEEDING TUBE**

2,638,871 A 5/1953 Ruedemann 119/53

(75) Inventor: **Rick Meritt**, Gilmer, TX (US)

(Continued)

(73) Assignee: **Rick Meritt Investments, Ltd.**, Gilmer, TX (US)

FOREIGN PATENT DOCUMENTS

GB 2129266 A 5/1984

(**) Term: **14 Years**

OTHER PUBLICATIONS

(21) Appl. No.: **29/296,700**

Advertisement (Mumme's Inc.) (1 page), Texas Deer Association Tracks, vol. 6, Issue 3 (May/Jun. 2005), p. 51.

(22) Filed: **Oct. 25, 2007**

(Continued)

Related U.S. Application Data

Primary Examiner—Susan Moon Lee

(63) Continuation-in-part of application No. 11/160,611, filed on Jun. 30, 2005, which is a continuation-in-part of application No. 09/920,231, filed on Aug. 1, 2001, now Pat. No. 6,920,841.

(74) *Attorney, Agent, or Firm*—Gardere Wynne Sewell, LLP

(57) **CLAIM**

The ornamental design for a feeding tube, as shown and described.

(51) **LOC (9) Cl.** **30-03**

DESCRIPTION

(52) **U.S. Cl.** **D30/133**

FIG. 1 is a perspective view of a feeding tube according to my new design;

(58) **Field of Classification Search** D30/133,

FIG. 2 is a front elevation view of the feeding tube shown in FIG. 1;

D30/121, 122, 124, 127, 128, 132; 119/51.01, 119/61, 51.04, 53, 57.91, 54, 53.5, 52.4, 119/51.11, 63, 61.2, 52.1, 57.5, 57.6, 51.13, 119/62, 75, 500, 501; 239/7, 687, 379, 397.5; 222/199, 181.1, 181.2, 185.1, 557, 156, 485, 222/486, 548, 555; 220/200, 227, 247, 262; 221/174, 185.1, 289, 295, 296, 559; 454/35; 209/270, 283, 244; 52/194, 192; 49/279, 49/344, 357; D34/28

FIG. 3 is a rear elevation view of the feeding tube shown in FIG. 1;

See application file for complete search history.

FIG. 4 is a left side elevation view of the feeding tube shown in FIG. 1;

(56) **References Cited**

FIG. 5 is a right side elevation view of the feeding tube shown in FIG. 1;

U.S. PATENT DOCUMENTS

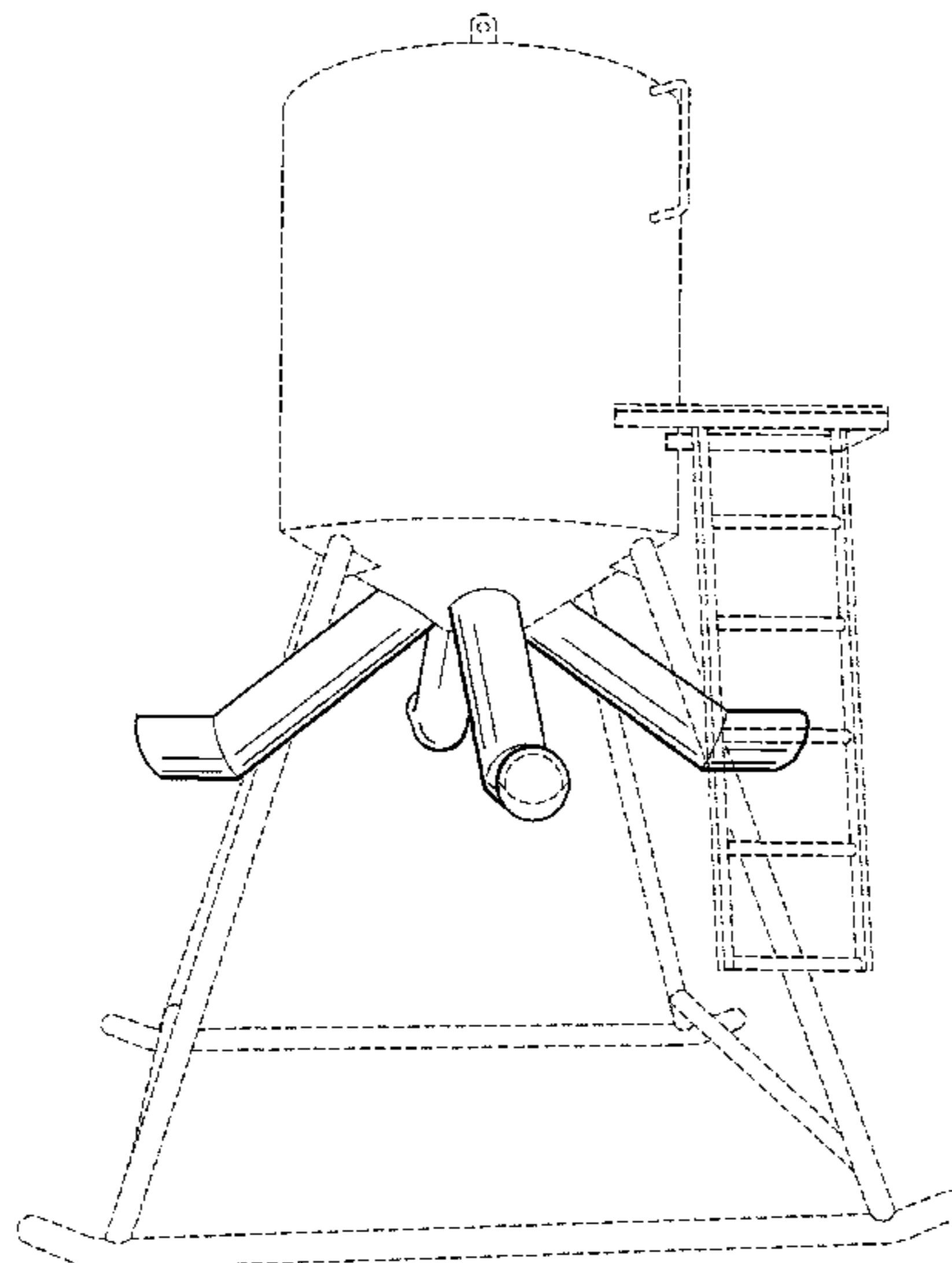
485,142 A 10/1892 Stephens
1,214,881 A 2/1917 Berntzen 239/66
1,355,399 A 10/1920 Kelley 119/57.91
2,454,721 A 11/1948 Severance et al 119/52
2,619,252 A 11/1952 De Hoffmann 220/26

FIG. 6 is a top plan view of the feeding tube shown in FIG. 1; and,

FIG. 7 is a bottom plan view of the feeding tube shown in FIG. 1.

The broken lines are for illustrative purposes only and form no part of the claimed design.

1 Claim, 7 Drawing Sheets



U.S. PATENT DOCUMENTS

2,654,346	A *	10/1953	Goff	119/81
2,808,029	A	10/1957	Geerling	119/53.5
2,886,002	A	5/1959	O'Malley et al.	119/77
2,988,047	A	6/1961	Hurdle	119/52
3,034,480	A	5/1962	French	119/56
D194,594	S	2/1963	Juculano	D15/8
3,515,098	A	6/1970	Thurmond	119/51
3,730,142	A	5/1973	Kahrs et al.	119/54
3,780,701	A	12/1973	Wentworth, Sr.	119/51 R
4,328,880	A	5/1982	Lapeyre	182/93
4,337,728	A	7/1982	Van Gilst et al.	119/51 R
4,538,548	A	9/1985	Page	119/52 R
4,580,528	A	4/1986	Kendall	119/53
4,601,414	A	7/1986	Lawson	222/564
4,719,875	A	1/1988	Van Gilst	119/53.5
D295,091	S *	4/1988	Swartzendruber	D30/132
4,815,621	A	3/1989	Bartis	220/1 B
4,986,220	A	1/1991	Reneau et al.	119/57.91
5,069,164	A	12/1991	Wiwi	119/53
5,086,730	A	2/1992	Figley	119/52.3
5,195,459	A	3/1993	Ancketill	119/57.9
5,275,131	A	1/1994	Brake et al.	119/63
5,339,996	A	8/1994	Dubbert et al.	222/185
5,435,267	A	7/1995	Patterson	119/52.4
5,503,090	A	4/1996	Guzan	111/72
D371,228	S	6/1996	Monin	D30/121
5,570,547	A	11/1996	Webb et al.	52/194
5,740,757	A	4/1998	Smeester	119/51.02
D397,527	S	8/1998	Bruder et al.	D30/121
5,794,561	A	8/1998	Schulz	119/52.1
5,862,777	A	1/1999	Sweeney	119/57.91
5,901,886	A	5/1999	Grindstaff et al.	22/557
5,906,174	A	5/1999	Muldoon	119/54
6,073,587	A	6/2000	Hill et al.	119/474
6,082,300	A	7/2000	Futch	119/51.11
6,199,509	B1	3/2001	Mostyn et al.	119/51.01
6,510,813	B1	1/2003	Boone, Jr.	119/57.91
6,622,653	B1	9/2003	Starnes, Jr.	119/51.01
D486,946	S	2/2004	Castro	D30/121
6,691,640	B1	2/2004	Huckabee	119/51.01
6,920,841	B2	7/2005	Meritt	119/51.01
7,302,912	B2 *	12/2007	Boyer	119/57.91
2005/0229860	A1	10/2005	Meritt	119/53
2005/0269367	A1	12/2005	Post	22/185.1

2006/0048712 A1 3/2006 Boyer 119/57.91

OTHER PUBLICATIONS

Advertisement (Mumme's Inc.) (1 page), The Journal of the Texas Trophy Hunters Association, Jan./Feb. 2005, on reverse side of p. 74.
 Advertisement (Sweeney Automated Feeding Systems) (2 pages, front and back) (date referenced Jan. 1-Feb. 28, 2005).
 Internet web site (Atascosa Wildlife Supply) (2 pages); <http://www.atascosawildlifesupply.com/feeders.html> (Mar. 8, 2005).
 Advertisement (Atascosa Wildlife Supply) (2 pages); The Journal of the Texas Trophy Hunters Association, May/Jun. 2005 (reverse sides of pp. 23 and 26).
 Advertisement (Texas Wildlife Supply) (1 page), The Journal of the Texas Trophy Hunters Association, May/Jun. 2005 (reverse side of p. 174).
 Internet web site (American Hunter Outdoor Products) (15 pages); <http://www.americanhunterfeeders.com> (Feb. 24, 2005).
 Internet web site (Mumme's Inc.) (1 page); <http://www.mummesinc.com> (Feb. 24, 2005).
 Internet web site (Boss Game Systems) (3 pages); <http://www.bossgamesystems.com> (Oct. 6, 2005).
 Advertisement (American Hunter Outdoor Products) (1 page), The Journal of the Texas Trophy Hunters Association, May/Jun. 2005, on reverse side of p. 155.
 "Introduction to Welding." Materials Engineering Group.; Copyright 1997 Materials Engineering (UK) Ltd.; <http://www.meg.co.uk/meg/app01.htm>.
 "Welding," Microsoft Encarta Online Encyclopedia 2002; <http://encarta.msn.com> (1997-2002) Microsoft Corporation.
 "Fair Special, 2000# Capacity Gravity Flow Protein Feeder," and Photo, Sycamore Springs Ranch, Approximately Oct. 2005.
 Advertisement (Mumme's Inc.) (1 page), The Journal of the Texas Trophy Hunters Association, Jan./Feb. 2005, on reverse side of p. 74.
 Advertisement (Rick Meritt, Outback Wildlife Feeders); The Journal of the Texas Trophy Hunters, Sep./Oct. 2007, vol. 32, No. 5, (3pp).
 Advertisement (Rick Meritt, Outback Wildlife Feeders); The Journal of the Texas Trophy Hunters, Jul./Aug. 2006, vol. 31, No. 4 (3pp).
 Advertisement (Rick Meritt, Outback Wildlife Feeders); The Journal of the Texas Trophy Hunters, Sep./Oct. 2005, vol. 30, No. 5 (3pp).
 Advertisement (Rick Meritt, Outback Wildlife Feeders); The Journal of the Texas Trophy Hunters, Sep./Oct. 2001, vol. 26, No. 5 (2pp).
 Advertisement (Rick Meritt, Outback Wildlife Feeders); The Journal of the Texas Trophy Hunters, Sep./Oct. 2002, vol. 27, No. 5 (2pp).
 Advertisement (Rick Meritt, Outback Wildlife Feeders); The Journal of the Texas Trophy Hunters, Sep./Oct. 2003, vol. 28, No. 5 (2pp).
 Advertisement (Rick Meritt, Outback Wildlife Feeders); The Journal of the Texas Trophy Hunters, Sep./Oct. 2004, vol. 29, No. 5 (2pp).

* cited by examiner

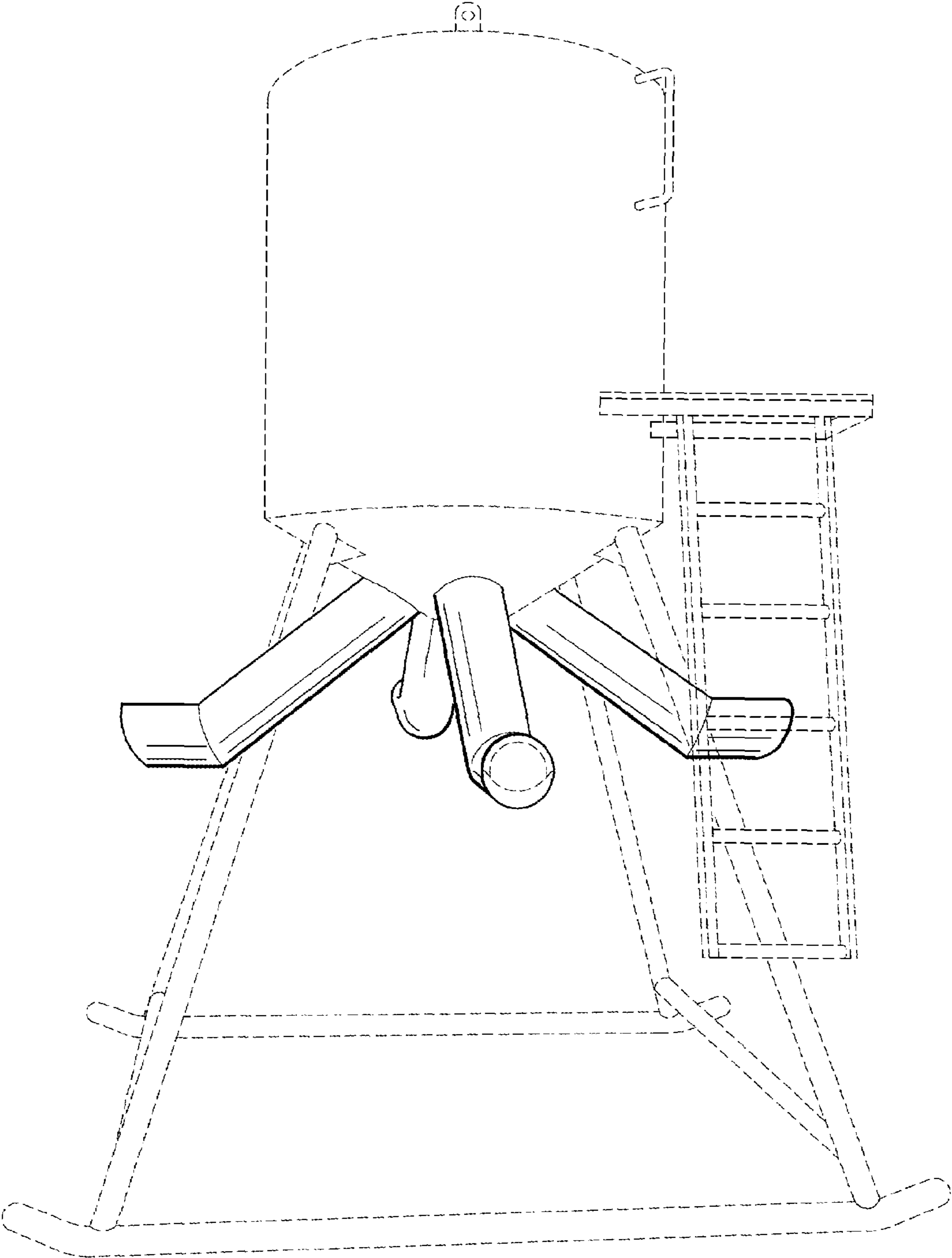


FIG. 1

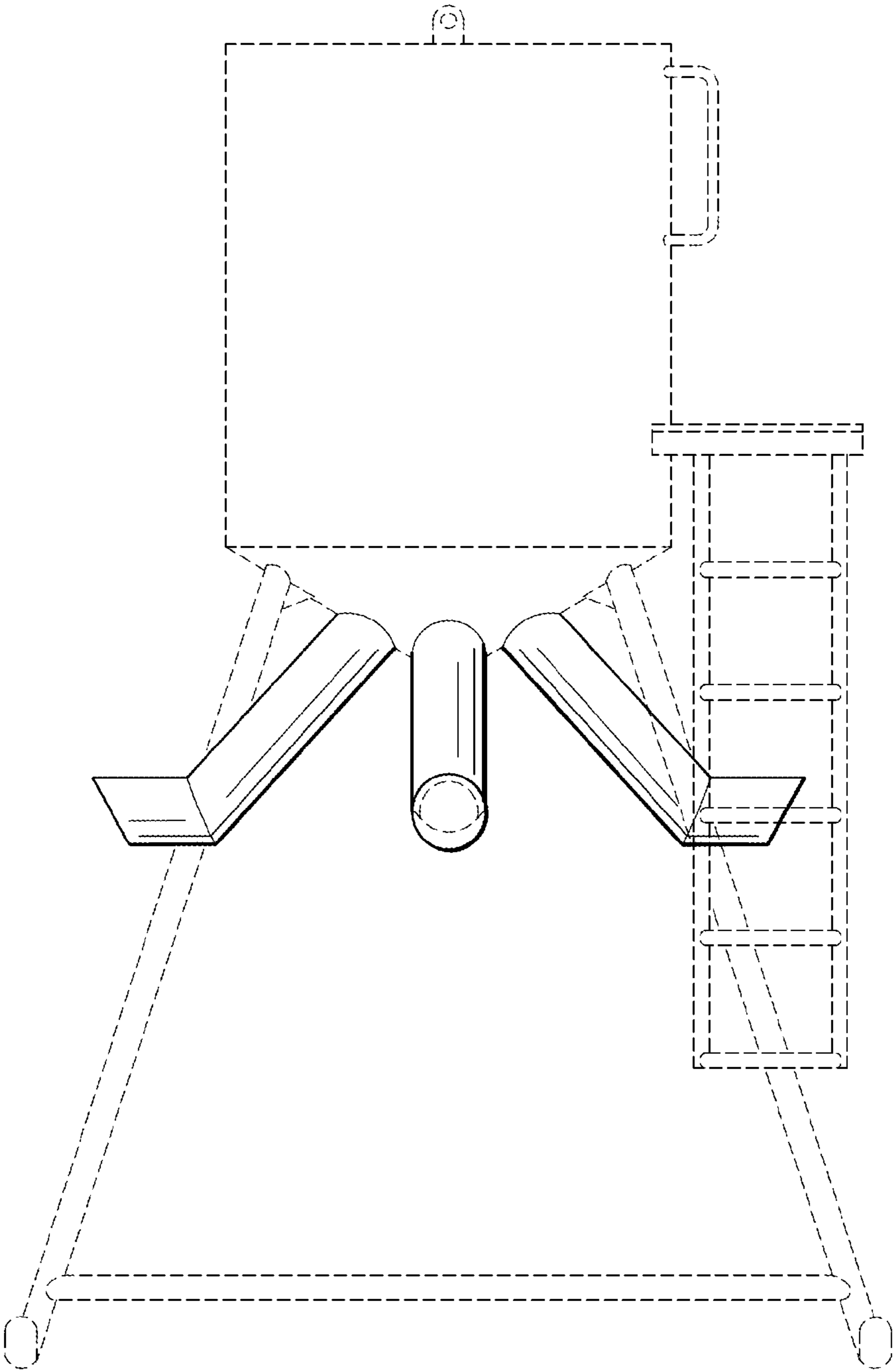


FIG. 2

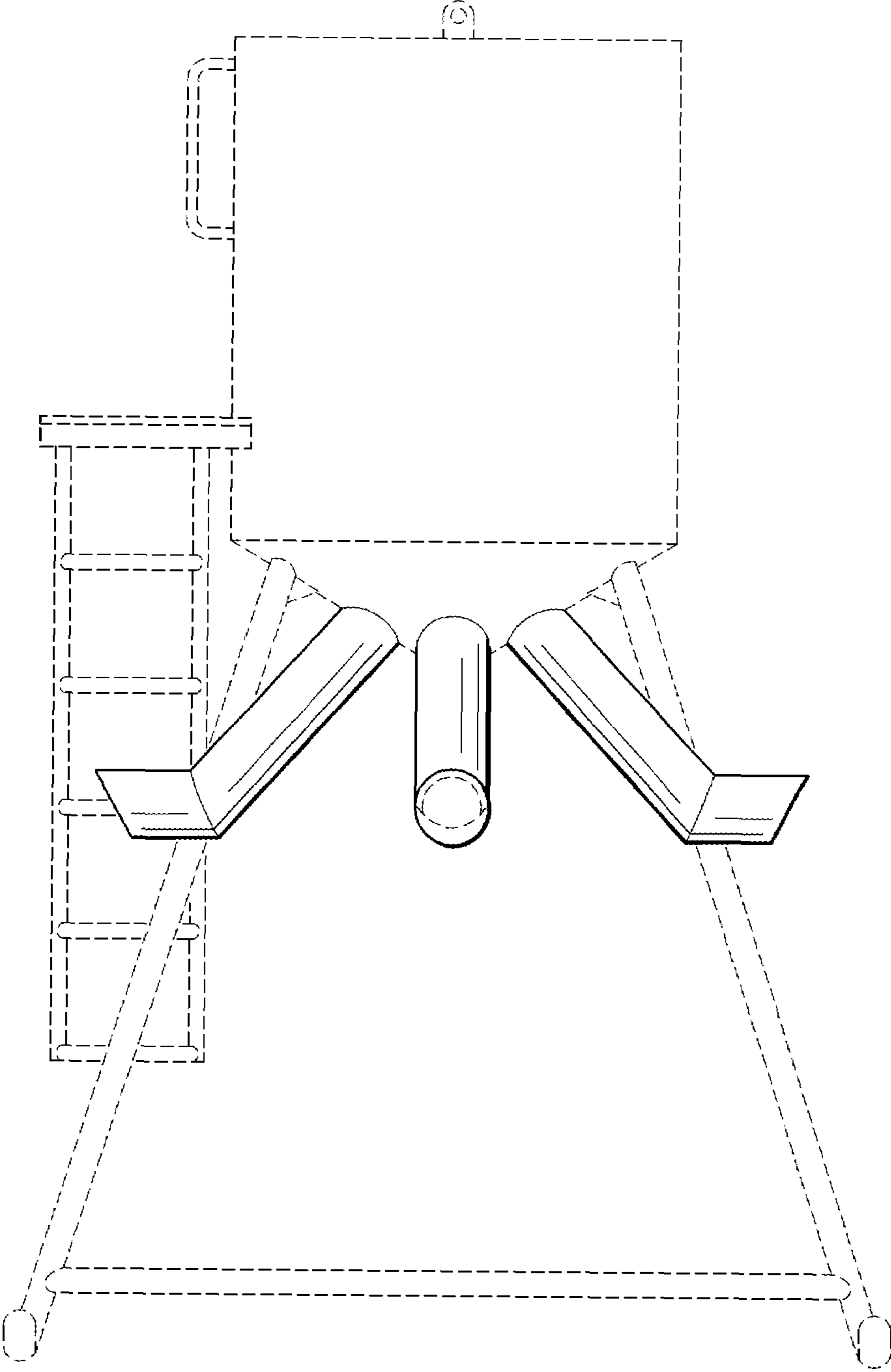


FIG. 3

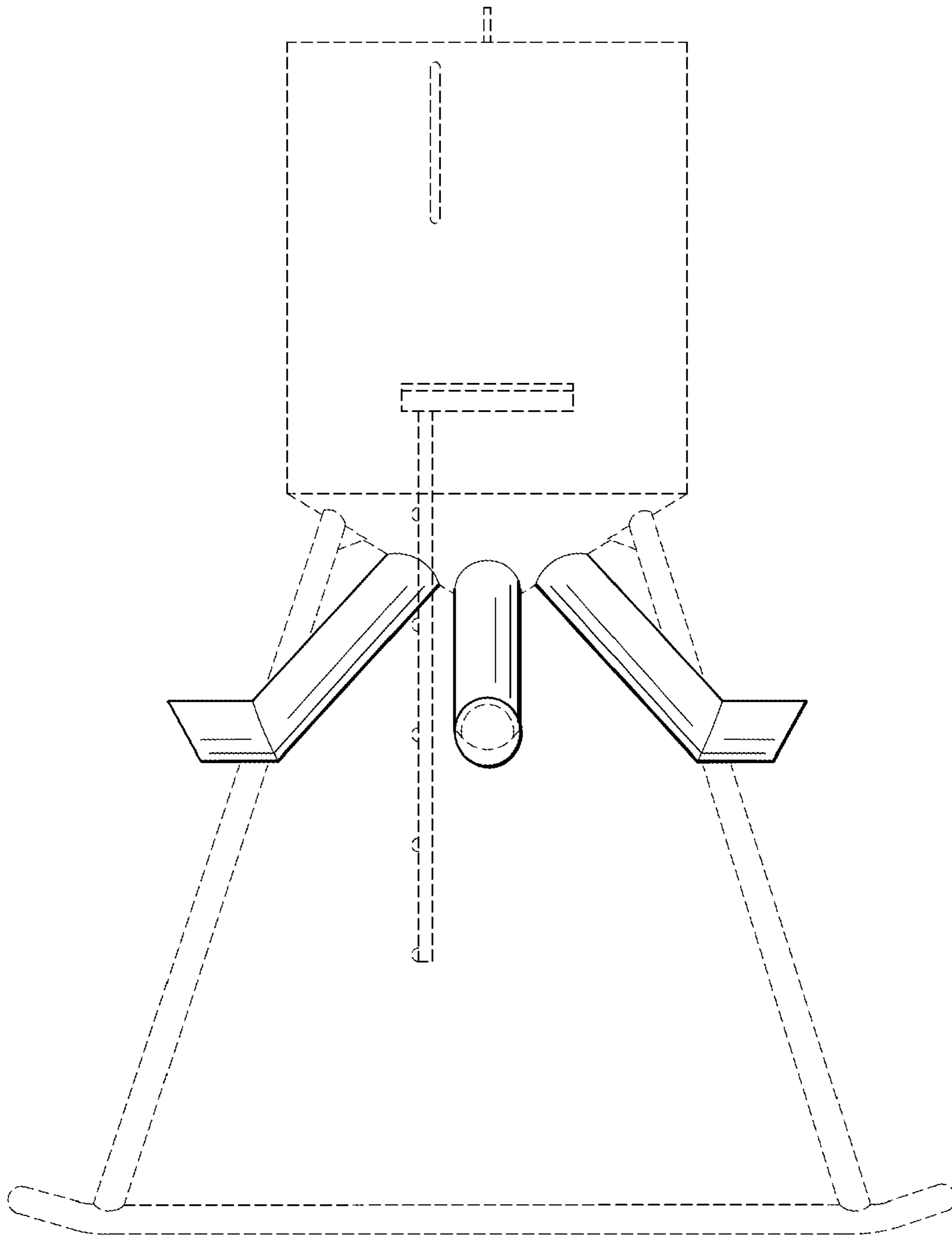


FIG. 4

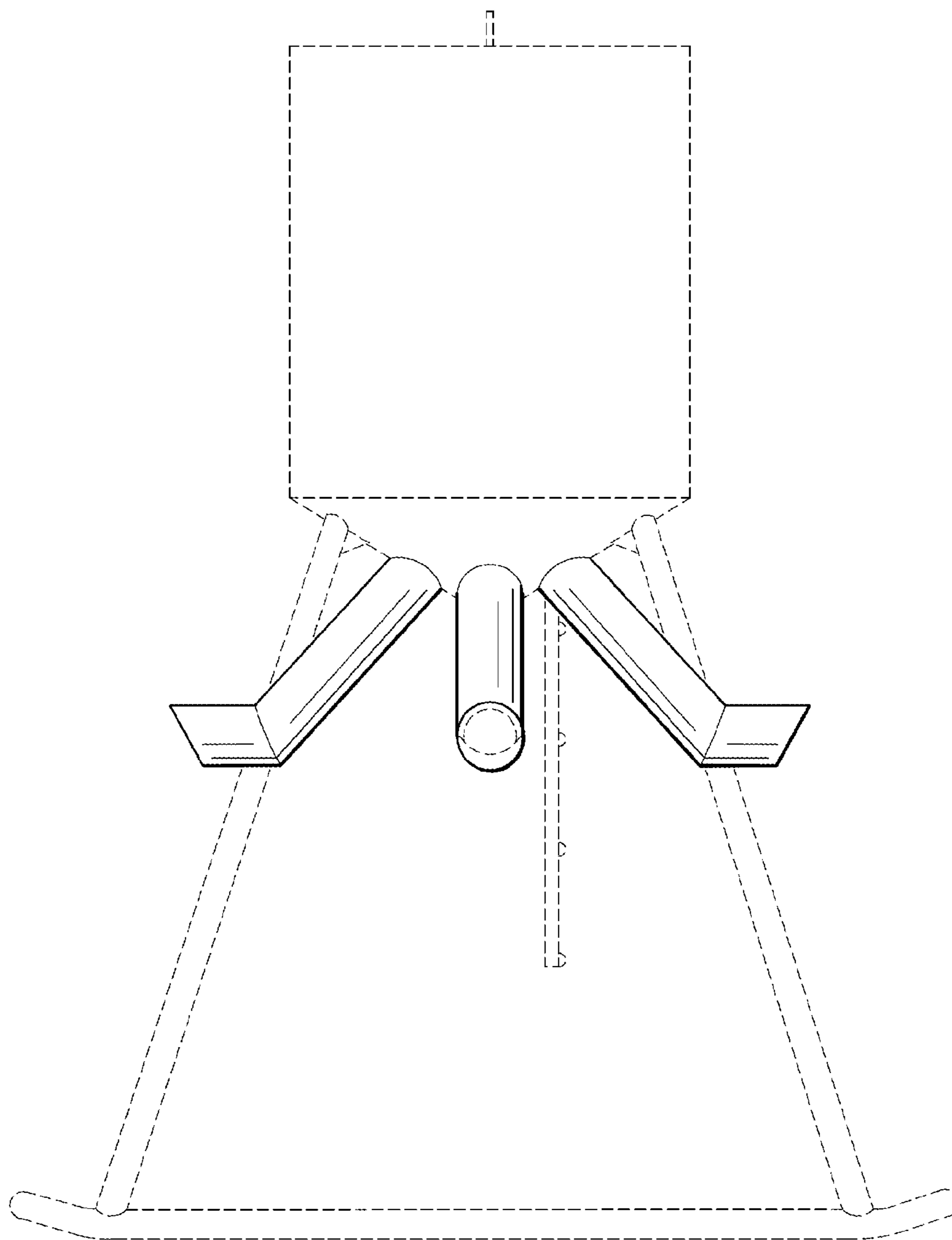


FIG. 5

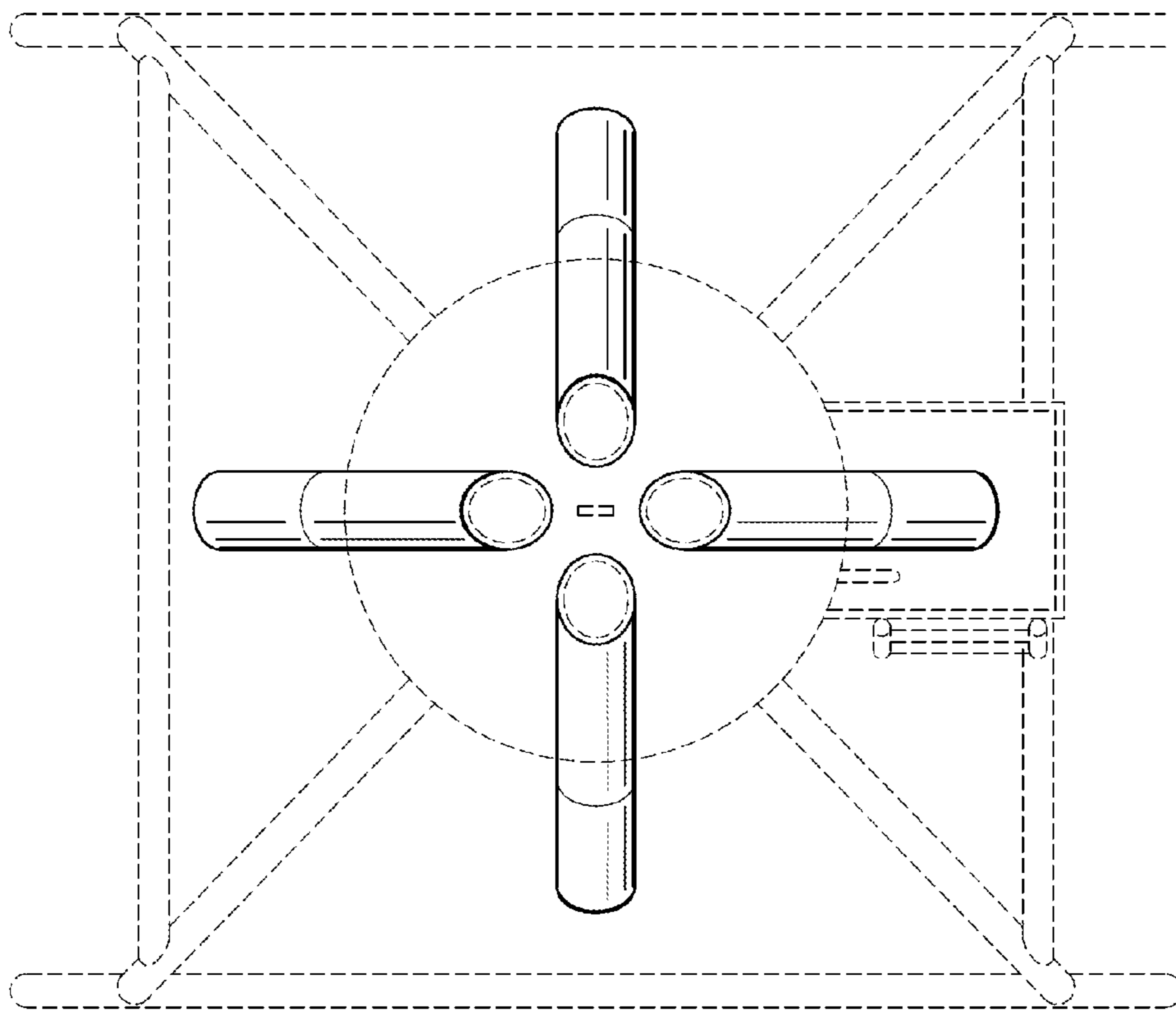


FIG. 6

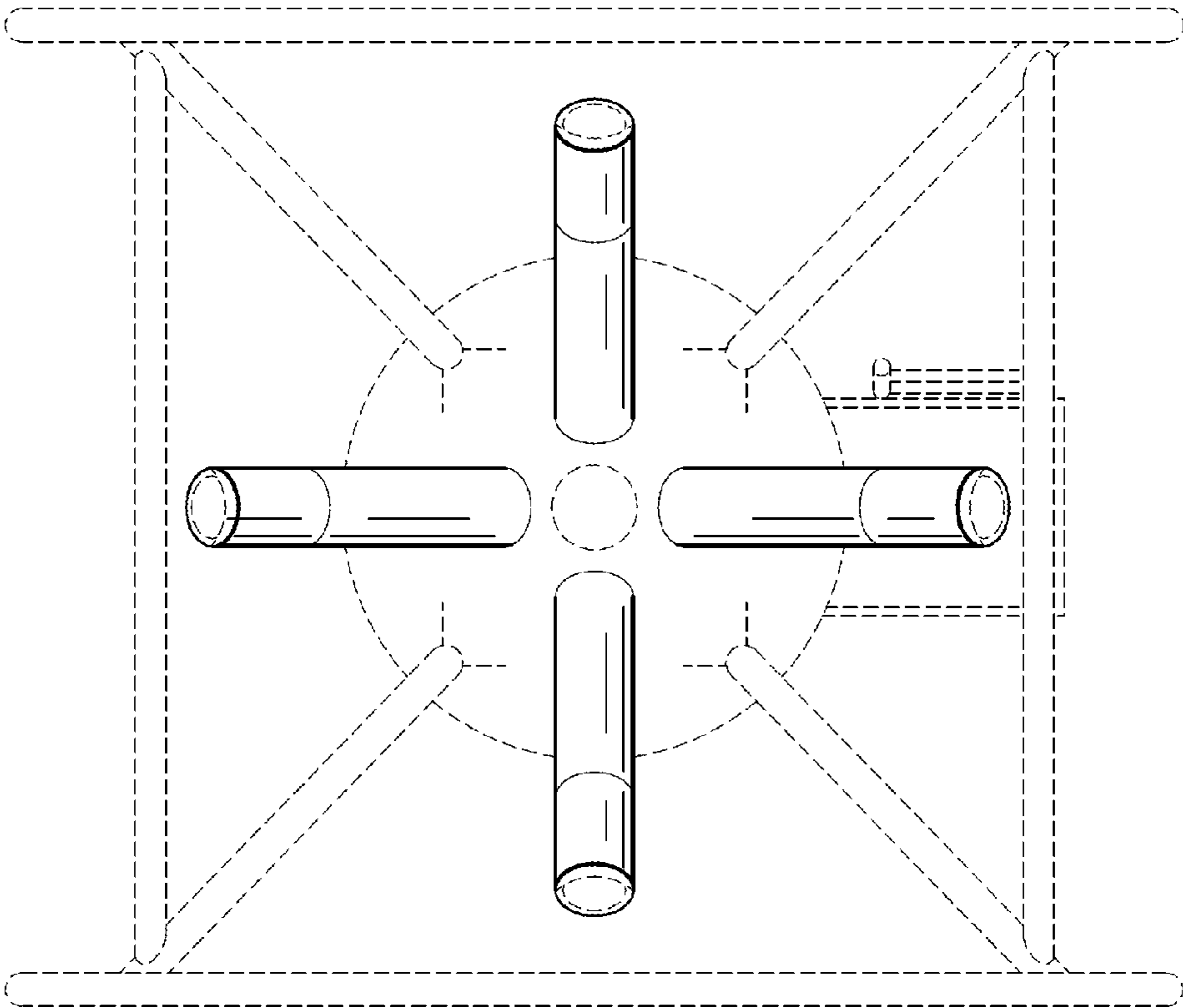


FIG. 7

UNITED STATES PATENT AND TRADEMARK OFFICE
CERTIFICATE OF CORRECTION

PATENT NO. : Des. 599,503 S
APPLICATION NO. : 29/296700
DATED : September 1, 2009
INVENTOR(S) : Rick Meritt

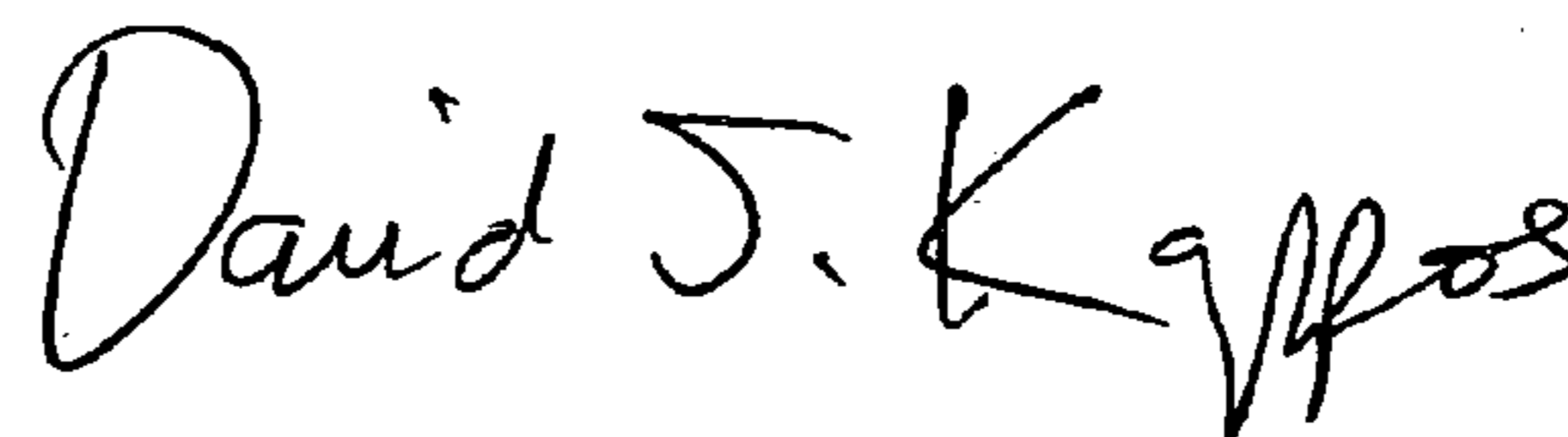
Page 1 of 1

It is certified that error appears in the above-identified patent and that said Letters Patent is hereby corrected as shown below:

On the Title Page, Item (63), under the section entitled, "Related U.S. Application Data", line 1, the reference to the application as a "continuation-in-part" should read --Continuation--.

Signed and Sealed this

Fifteenth Day of December, 2009

A handwritten signature in black ink that reads "David J. Kappos". The signature is written in a cursive style with a large initial 'D' and 'K'.

David J. Kappos
Director of the United States Patent and Trademark Office