



US00D599500S

(12) **United States Design Patent**
Strickland

(10) **Patent No.:** **US D599,500 S**

(45) **Date of Patent:** **** Sep. 1, 2009**

(54) **FLOSS CONTAINER**

D424,243 S * 5/2000 Potter D28/66
D460,838 S 7/2002 Scarpelli
6,715,603 B1 4/2004 Uribe

(76) Inventor: **Deborah Strickland**, 3542 CR 268,
Baird, TX (US) 79504

* cited by examiner

(**) Term: **14 Years**

Primary Examiner—Janice E Seeger

Assistant Examiner—Zenia I Bennett

(21) Appl. No.: **29/304,675**

(74) *Attorney, Agent, or Firm*—Paul R. Martin

(22) Filed: **Mar. 6, 2008**

(57) **CLAIM**

(51) **LOC (9) Cl.** **28-03**

The ornamental design for a floss container, as shown and described.

(52) **U.S. Cl.** **D28/66**

(58) **Field of Classification Search** D28/31,
D28/56, 65–68, 73; D24/152, 154; 433/141,
433/146–147; 132/322–329

See application file for complete search history.

DESCRIPTION

FIG. 1 is a perspective view of my design;

FIG. 2 is a front elevational view of my design;

FIG. 3 is a top view of my design;

FIG. 4 is a bottom view of my design;

FIG. 5 is a right side elevational view of my design;

FIG. 6 is a rear elevational view of my design;

FIG. 7 is a left side elevational view of my design; and,

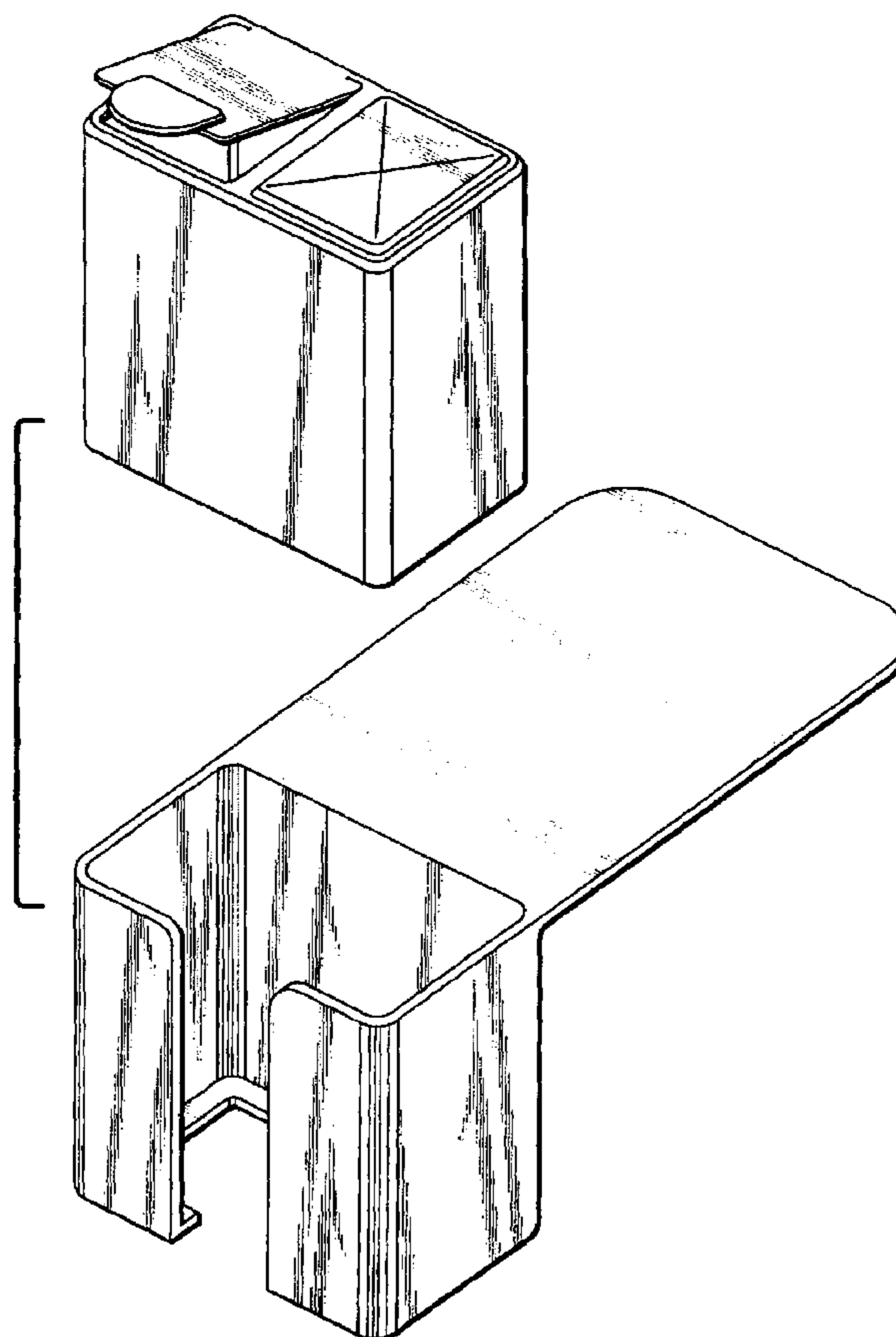
FIG. 8 is an exploded perspective view of my design with the two components shown separately for convenience of illustration.

(56) **References Cited**

U.S. PATENT DOCUMENTS

4,518,000	A	5/1985	Leverette	
4,637,412	A	1/1987	Martinez	
D341,909	S	* 11/1993	Schneider D28/66
D366,537	S	* 1/1996	Johnsen et al. D28/66
D389,053	S	* 1/1998	Sherman et al. D28/66
D396,132	S	* 7/1998	Powell D28/66
D408,588	S	* 4/1999	Zorovich D28/66
D413,694	S	* 9/1999	Bennett D28/66
D423,721	S	* 4/2000	Tolentino et al. D28/66

1 Claim, 4 Drawing Sheets



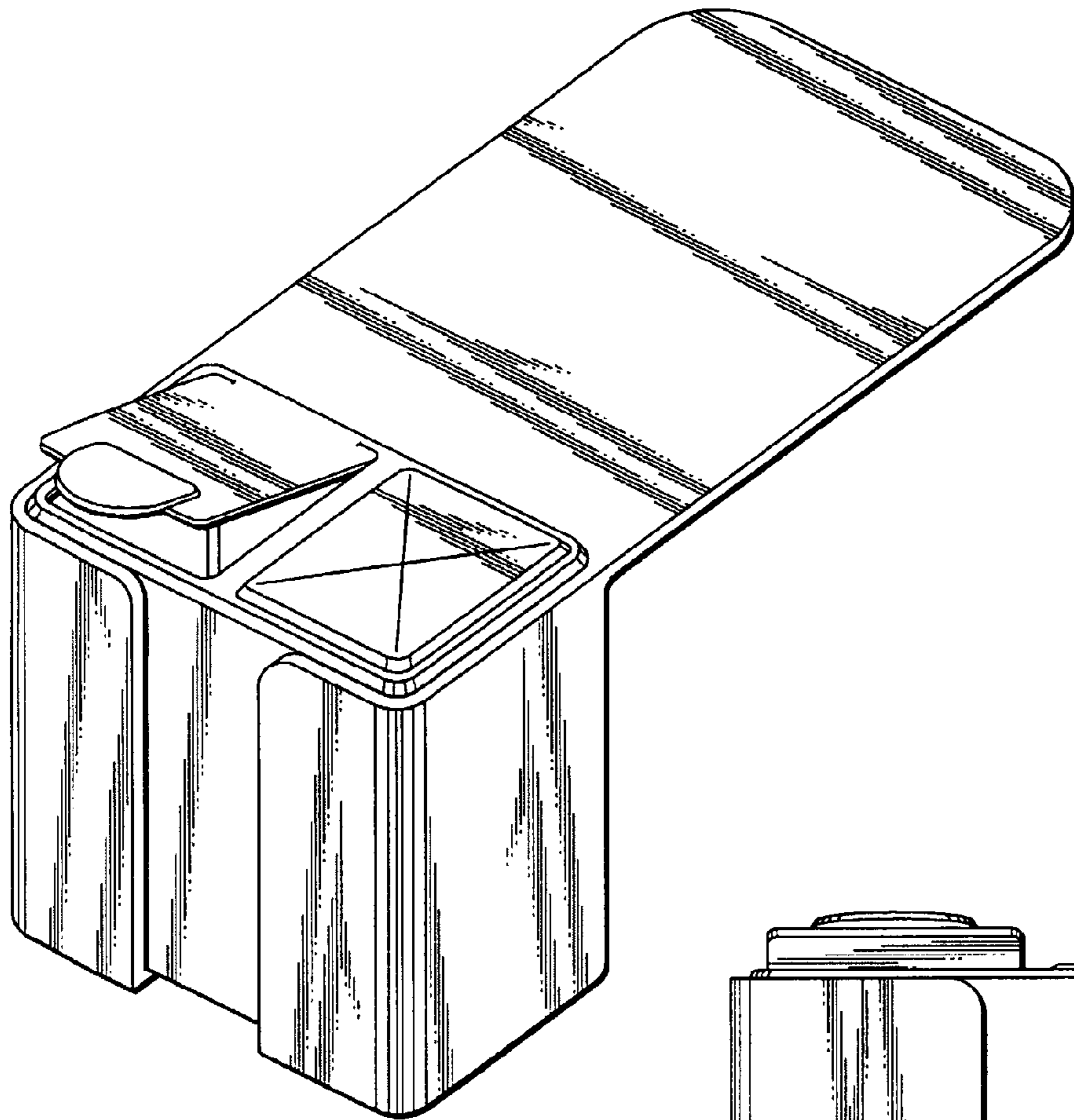


FIG. 1

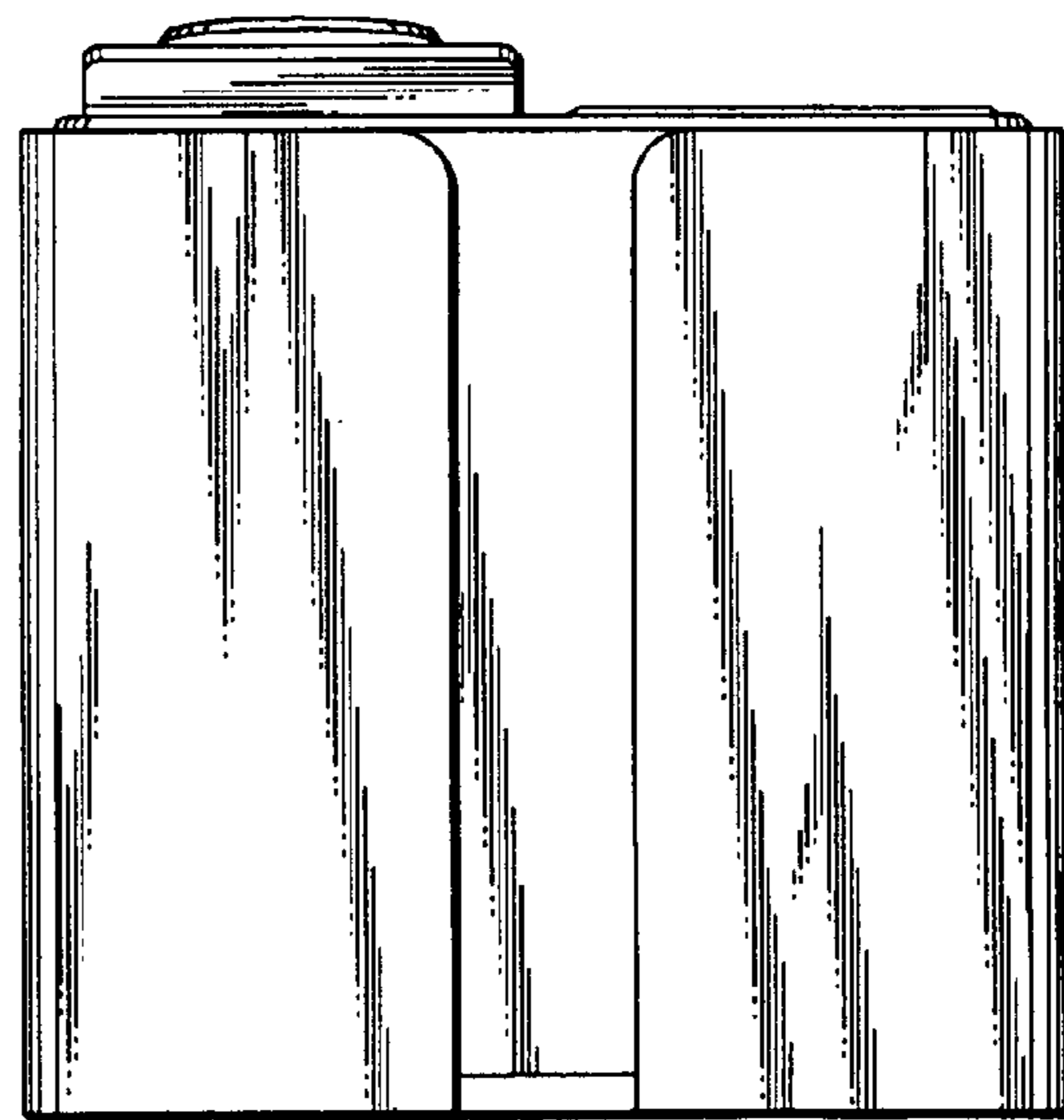


FIG. 2

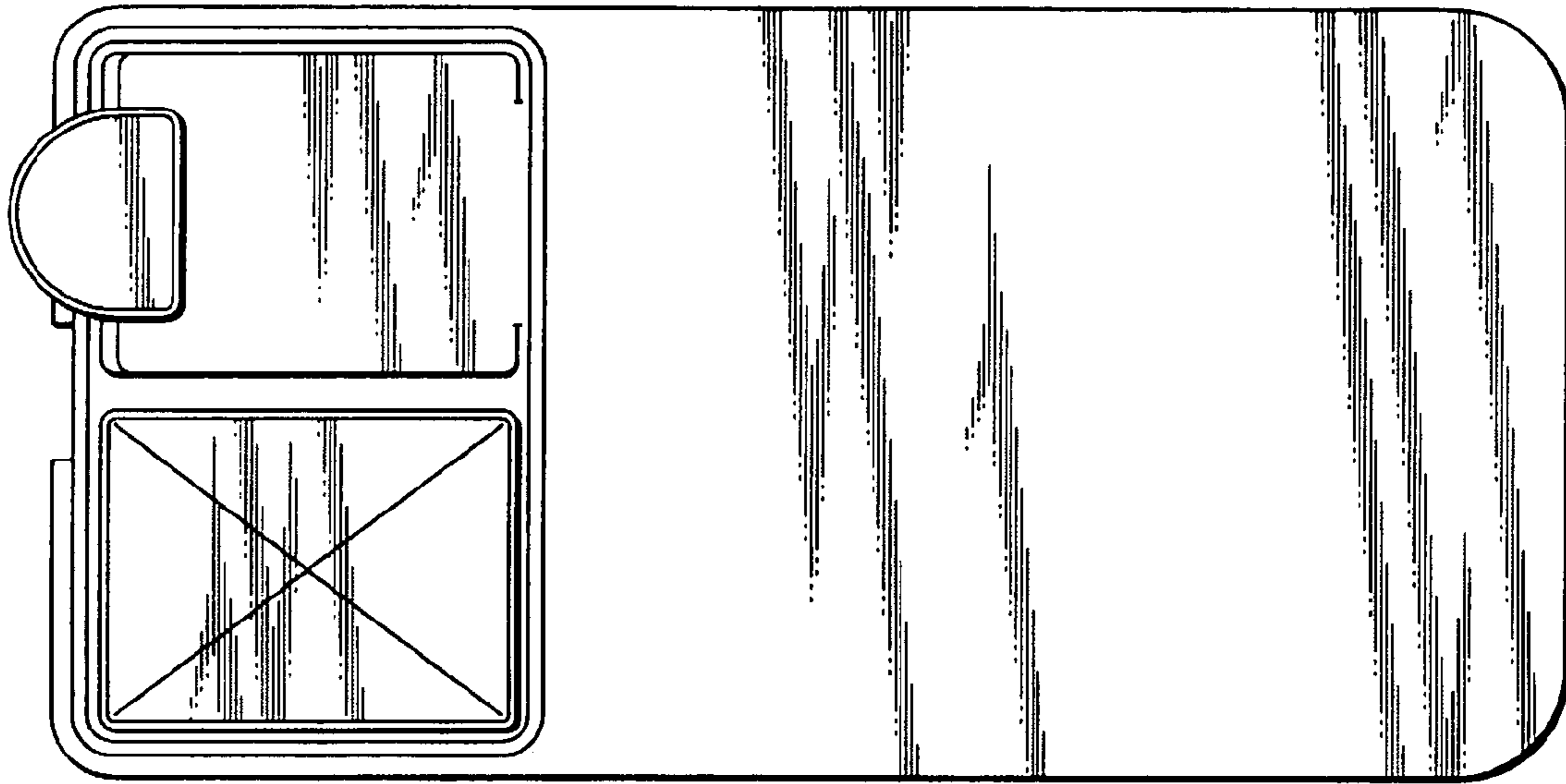


FIG. 3

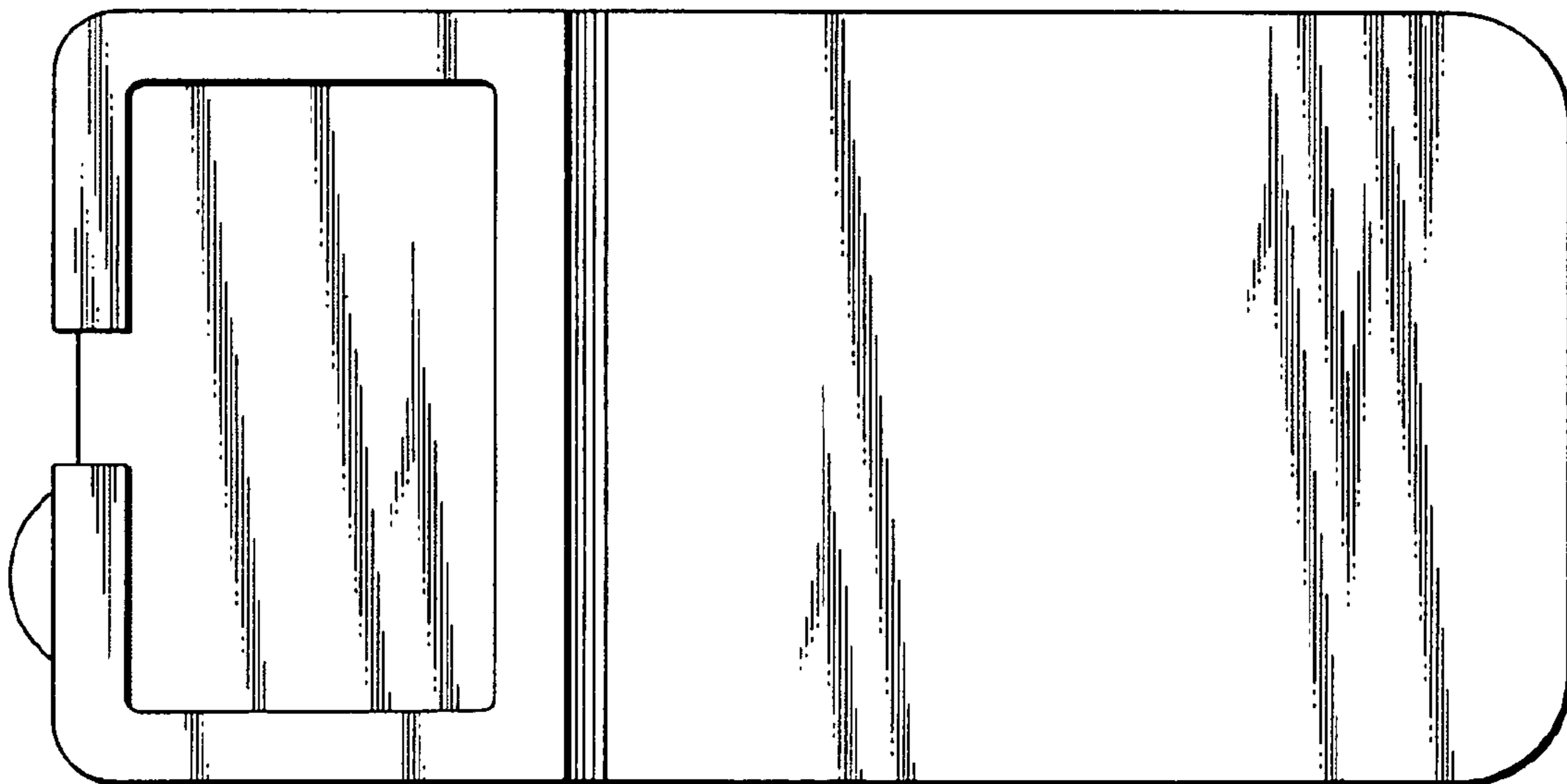


FIG. 4

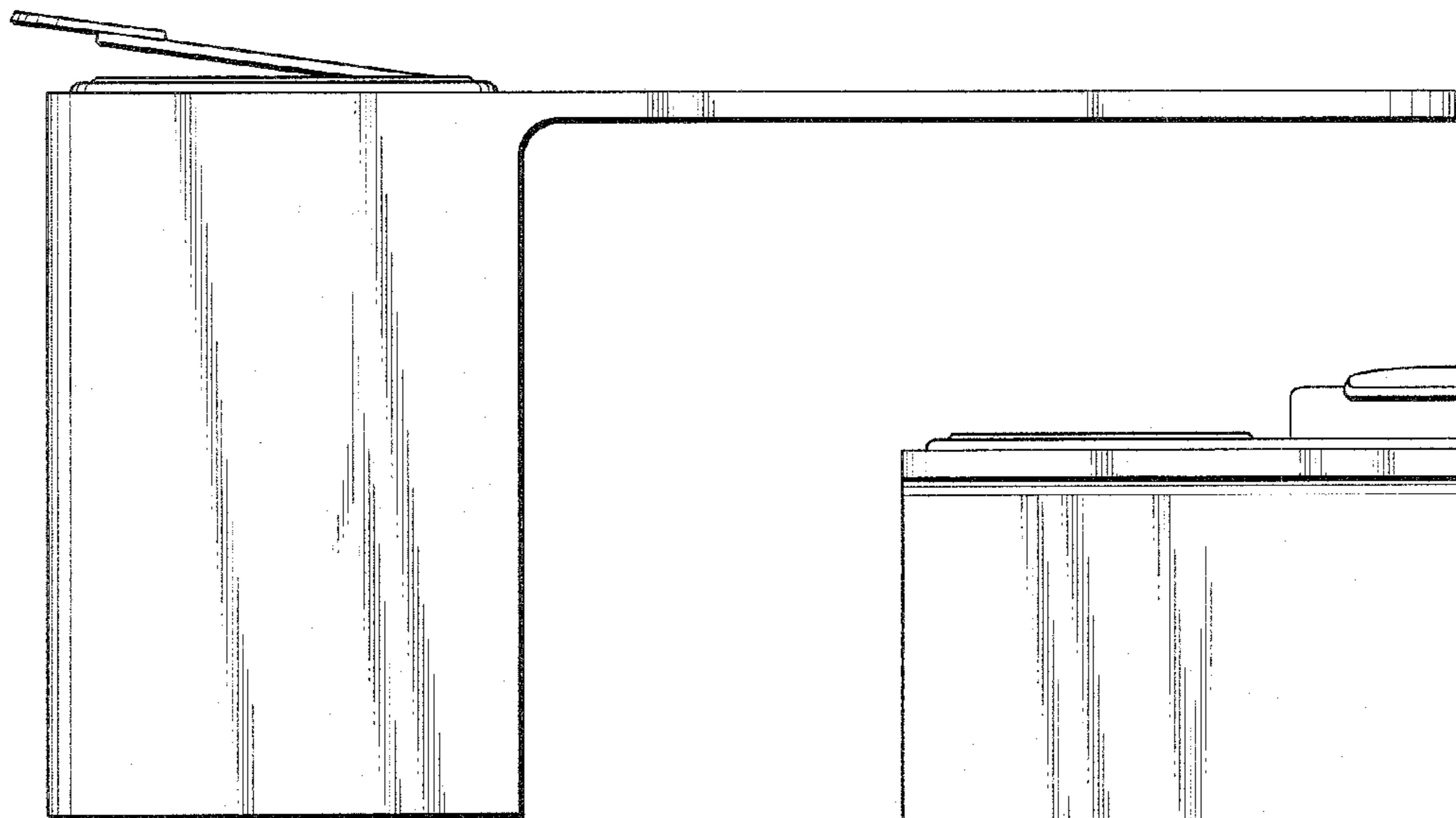


FIG. 5

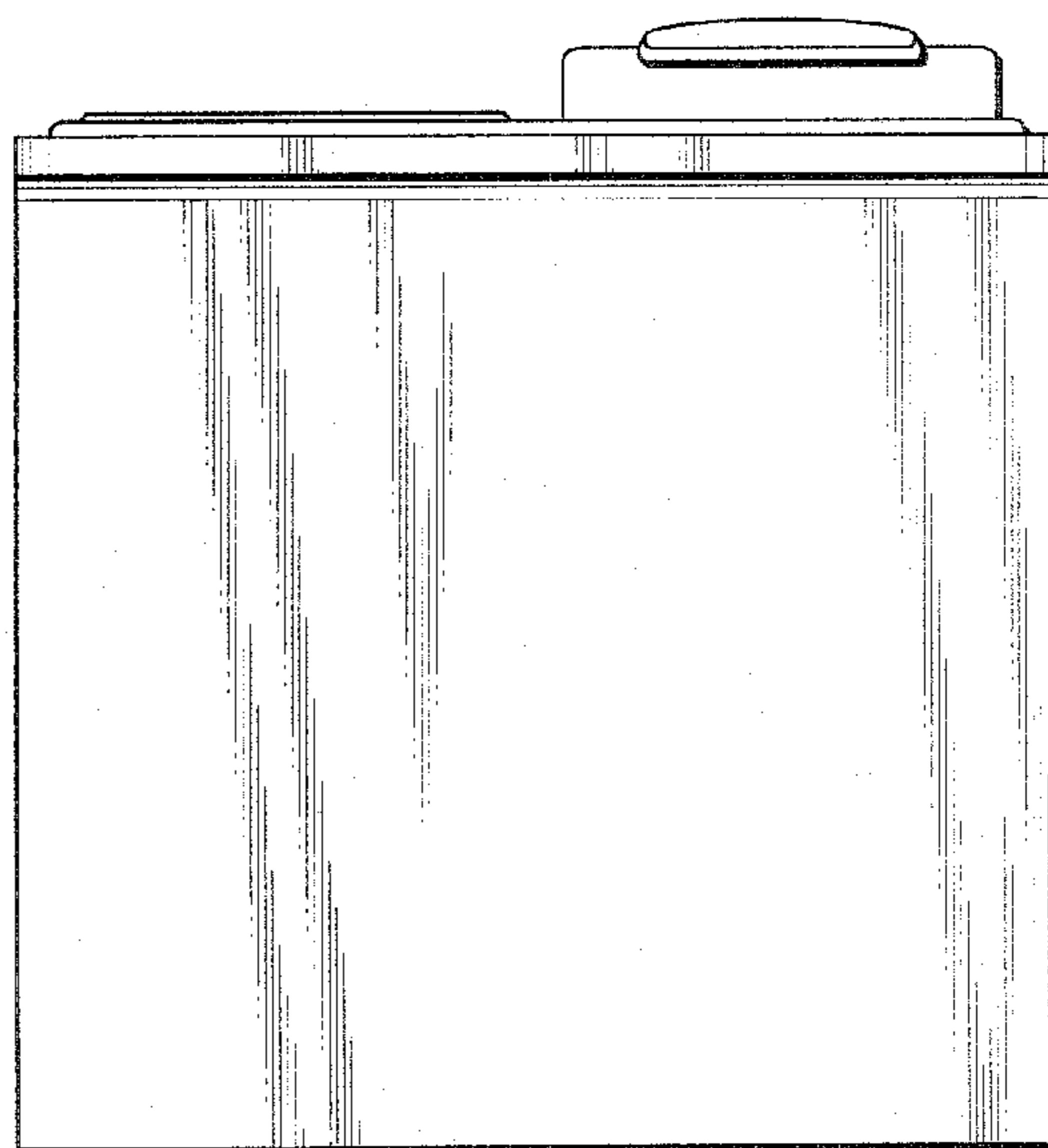


FIG. 6

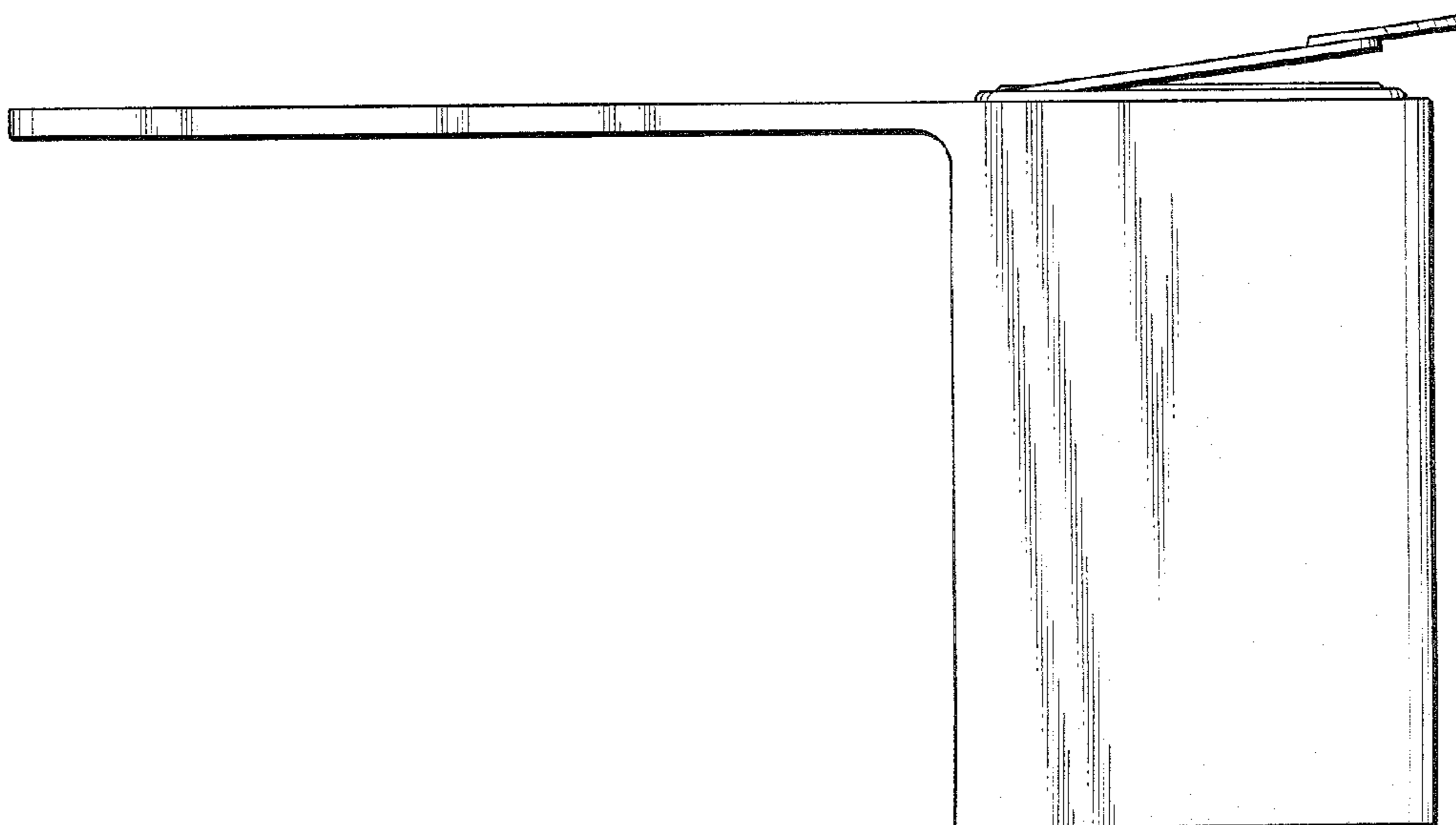


FIG. 7

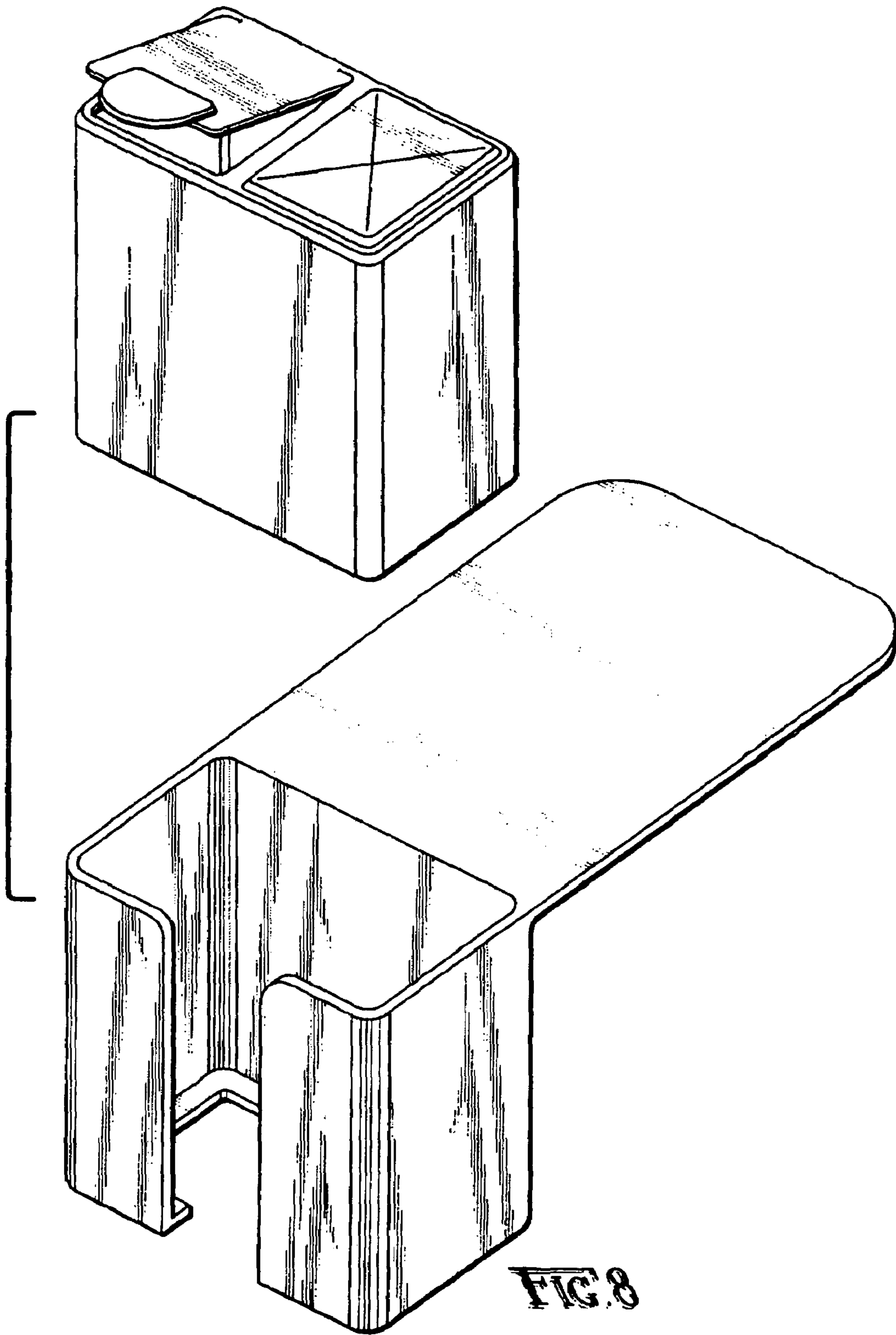


FIG. 8