

US00D599498S

(12) **United States Design Patent**
Snider

(10) **Patent No.:** **US D599,498 S**
(45) **Date of Patent:** **** Sep. 1, 2009**

(54) **SUPPORT FOR A LIGHT LINE GENERATING DEVICE**

1,283,968 A 11/1918 Taylor
D75,012 S 5/1928 Johnson
D85,144 S 9/1931 Adrian
D98,683 S * 2/1936 Langsner D10/74

(75) Inventor: **Gregory S. Snider**, Bel Air, MD (US)

(Continued)

(73) Assignee: **Black & Decker**, Newark, DE (US)

Primary Examiner—Cathron C Brooks

(**) Term: **14 Years**

Assistant Examiner—Kevin K Rudzinski

(21) Appl. No.: **29/323,231**

(74) *Attorney, Agent, or Firm*—Edell, Shapiro & Finnan, LLC

(22) Filed: **Aug. 21, 2008**

(57) **CLAIM**

Related U.S. Application Data

The ornamental design for a support for a light line generating device, as shown and described.

(62) Division of application No. 29/276,790, filed on Feb. 6, 2007, now Pat. No. Des. 577,148.

DESCRIPTION

(51) **LOC (9) Cl.** **26-99**

FIG. 1 is a top perspective view of a support for a light line generating device according to the present invention;

(52) **U.S. Cl.** **D26/138**

FIG. 2 is a bottom perspective view of the support for a light line generating device shown in FIG. 1;

(58) **Field of Classification Search** D26/154, D26/86, 155, 128, 88, 144, 113, 118, 152, D26/141, 149, 138, 68, 107, 129, 24, 25, D26/37, 38, 45, 56, 48, 50, 51, 60, 61, 67, D26/69, 70, 71, 72, 73, 79, 80, 81, 83, 85, D26/90, 91, 93, 101, 102, 104, 108, 119, D26/120, 121, 124, 130, 135, 137, 140, 142, D26/145, 153; D11/90, 79, 43; D3/306, D3/271.1, 277, 309; 362/102, 202, 606, 362/607, 615, 616, 576, 577, 145, 147, 148, 362/151, 152, 153, 248, 236, 257, 268, 317, 362/329, 331, 341, 350, 351, 356, 358, 391, 362/395, 401, 403, 404, 405, 406, 407, 410, 362/416; 33/290, 286, 291, 227; D10/69, D10/70, 74

FIG. 3 is a front view in elevation of the support for a light line generating device shown in FIG. 1;

FIG. 4 is a rear view in elevation of the support for a light line generating device shown in FIG. 1;

FIG. 5 is a left side view in elevation of the support for a light line generating device shown in FIG. 1;

FIG. 6 is a right side view in elevation of the support for a light line generating device shown in FIG. 1;

FIG. 7 is a top view in plan of the support for a light line generating device shown in FIG. 1; and,

FIG. 8 is a bottom view in plan of the support for a light line generating device shown in FIG. 1.

See application file for complete search history.

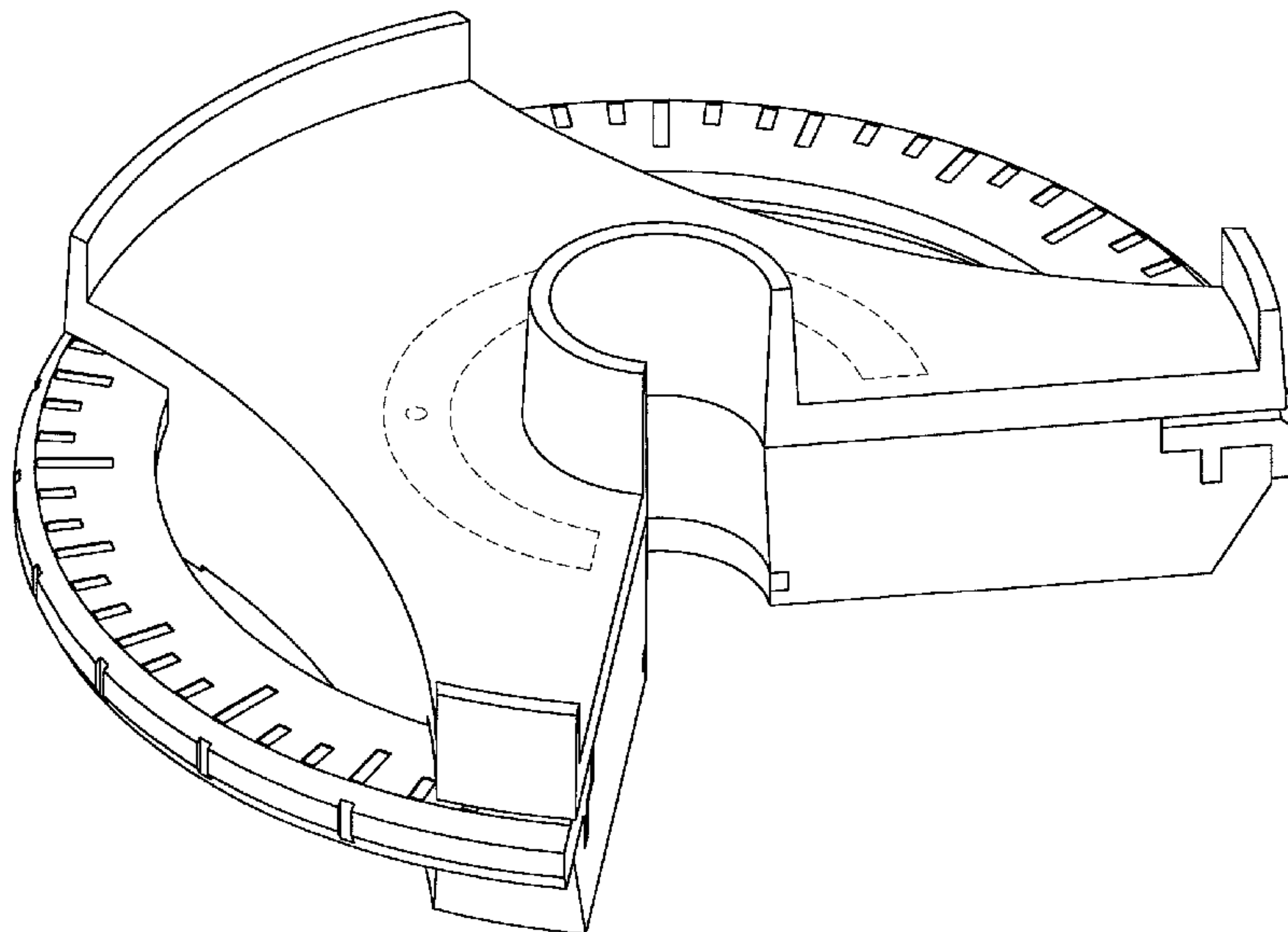
The broken lines showing environmental structure in the figures form no part of the claimed design.

(56) **References Cited**

U.S. PATENT DOCUMENTS

1,137,906 A 5/1915 Rosenberg

1 Claim, 5 Drawing Sheets



US D599,498 S

Page 2

U.S. PATENT DOCUMENTS							
				6,453,568	B1 *	9/2002	Hymer 33/276
D111,214	S	9/1938	Petzold	D505,630	S	5/2005	Snider
D142,959	S	11/1945	Lee	6,922,901	B1	8/2005	Chou
4,035,084	A *	7/1977	Ramsay 356/139.08	D509,761	S	9/2005	Kallabis
D261,057	S	9/1981	Wotowiec et al.	7,065,890	B1 *	6/2006	Chang 33/286
D311,145	S *	10/1990	Hayashi D10/66	7,076,879	B2 *	7/2006	Murphy 33/284
5,208,438	A	5/1993	Underberg	D528,022	S *	9/2006	Kallabis D10/69
D396,817	S	8/1998	Webb	D533,093	S *	12/2006	Reznor D10/69
5,842,282	A *	12/1998	Ting 33/227	2005/0246912	A1	11/2005	Marshall et al.
6,088,623	A	7/2000	Yowler et al.	2005/0274030	A1	12/2005	Spanski et al.
6,427,347	B1	8/2002	Butler, Sr.				

* cited by examiner

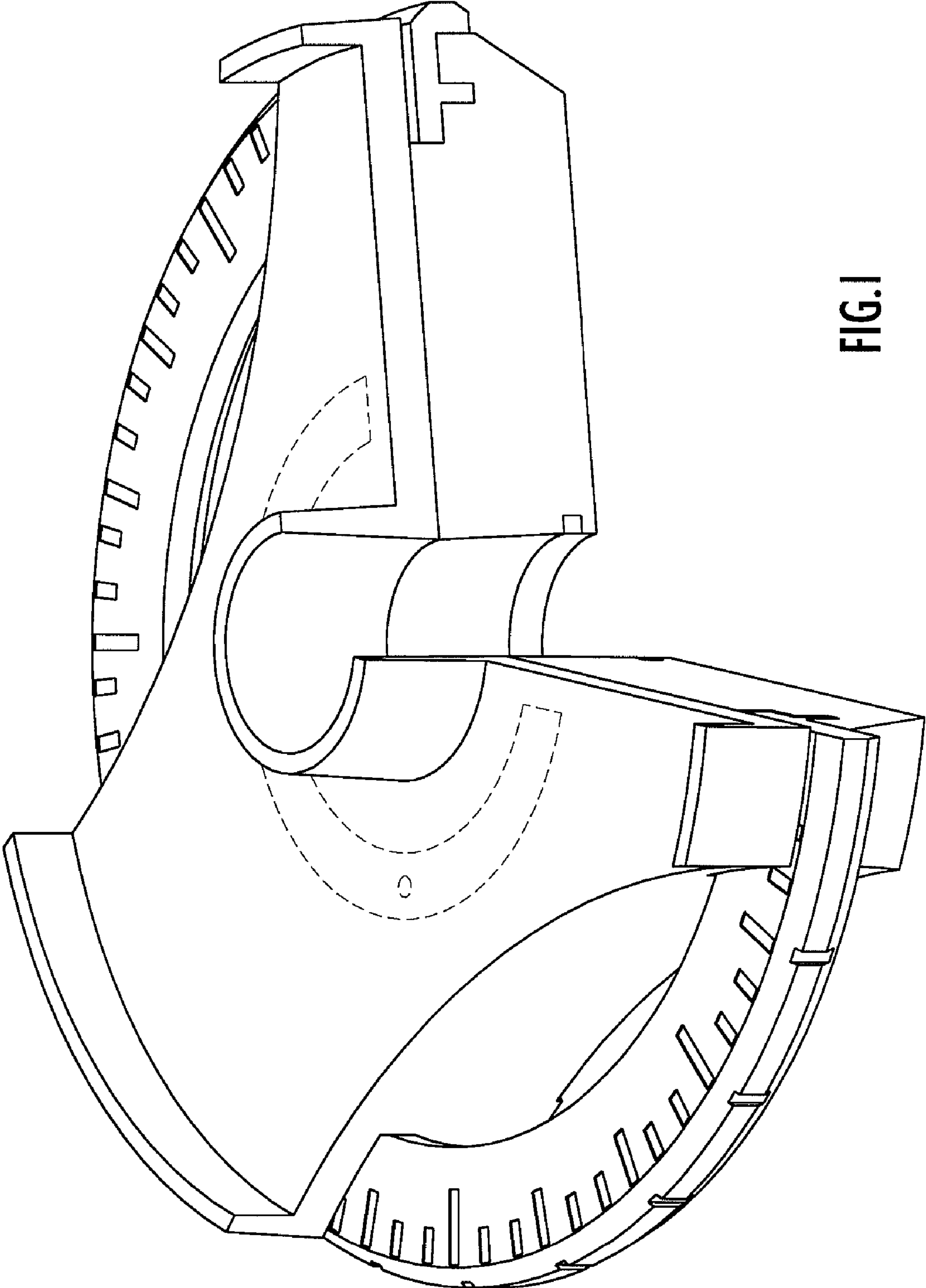
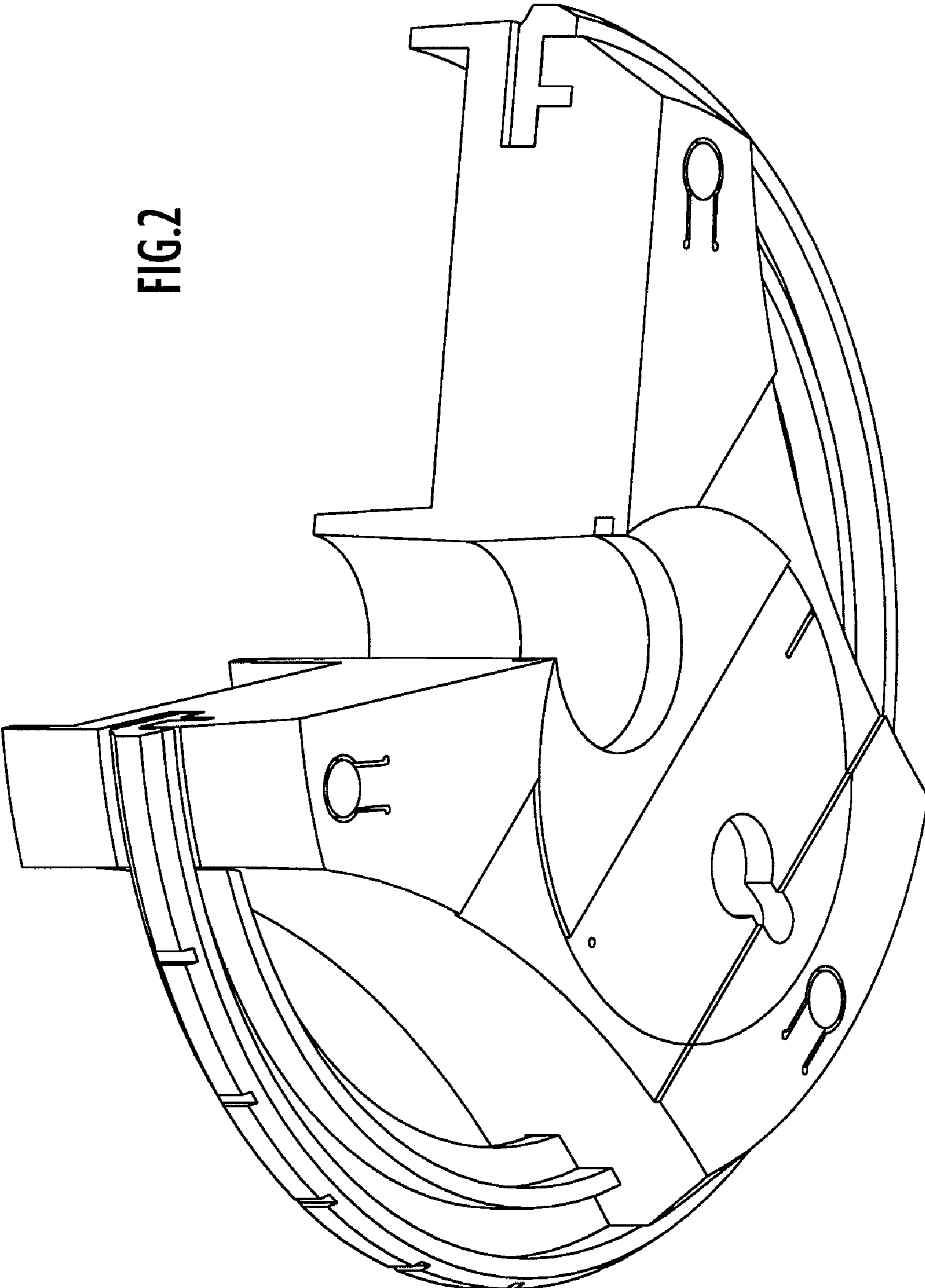


FIG. 1

FIG.2



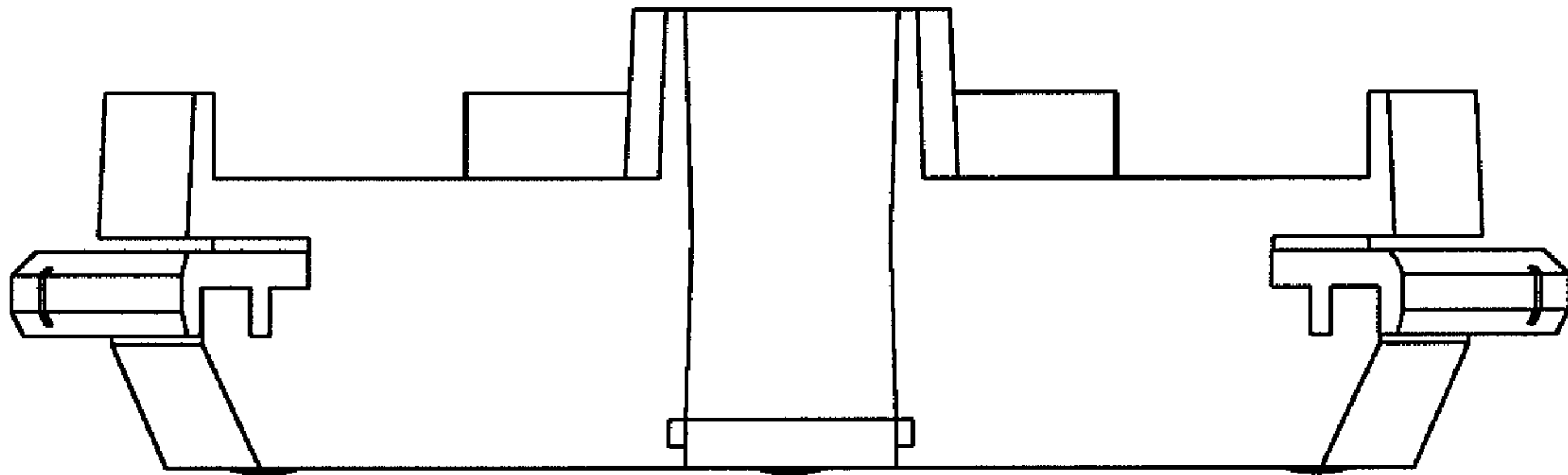


FIG.3

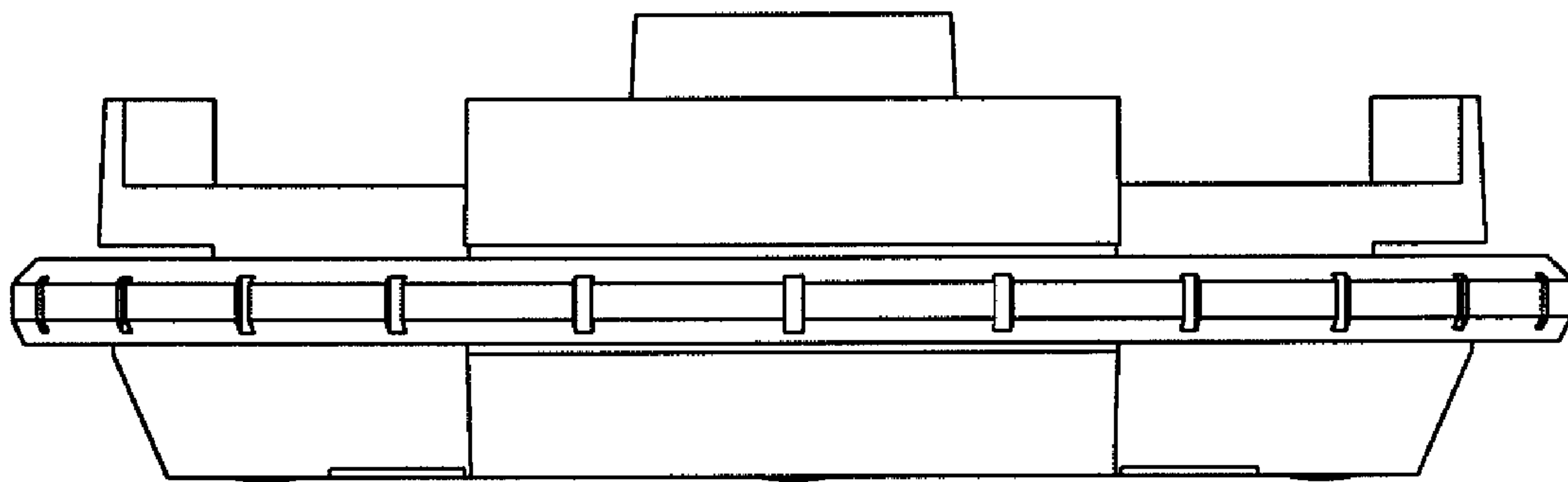


FIG.4

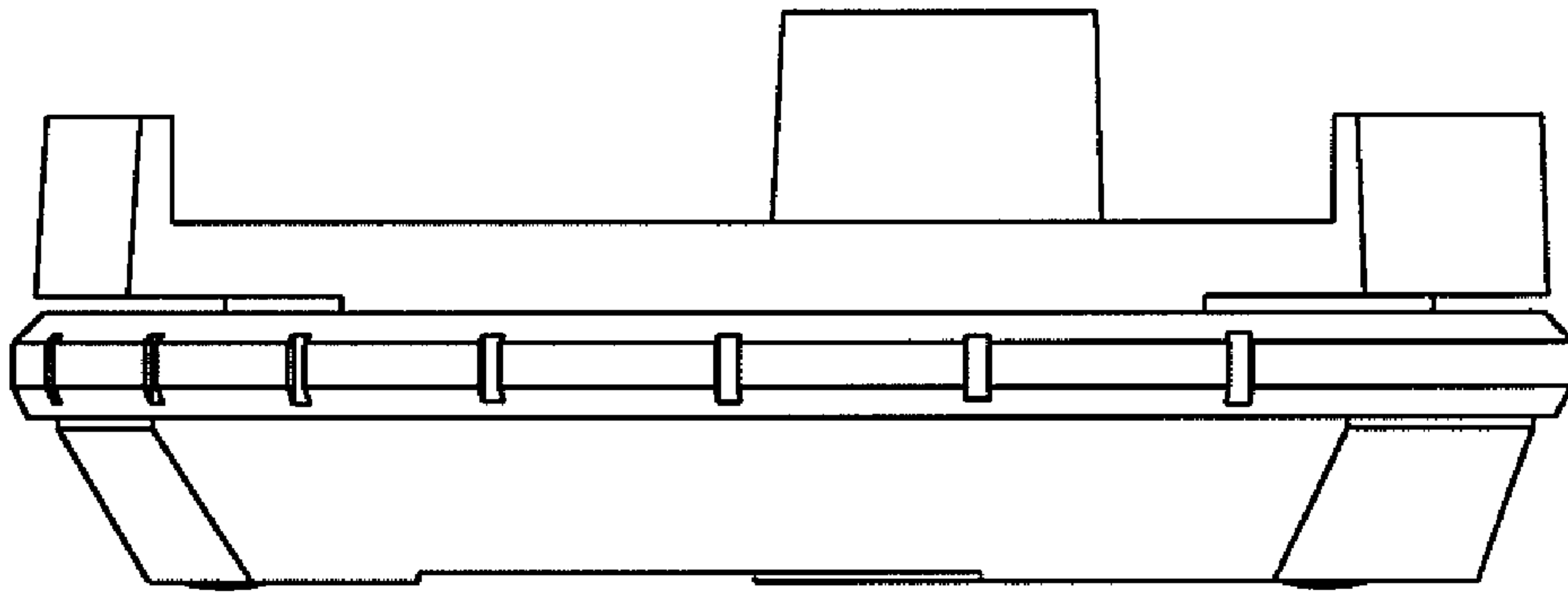


FIG.5

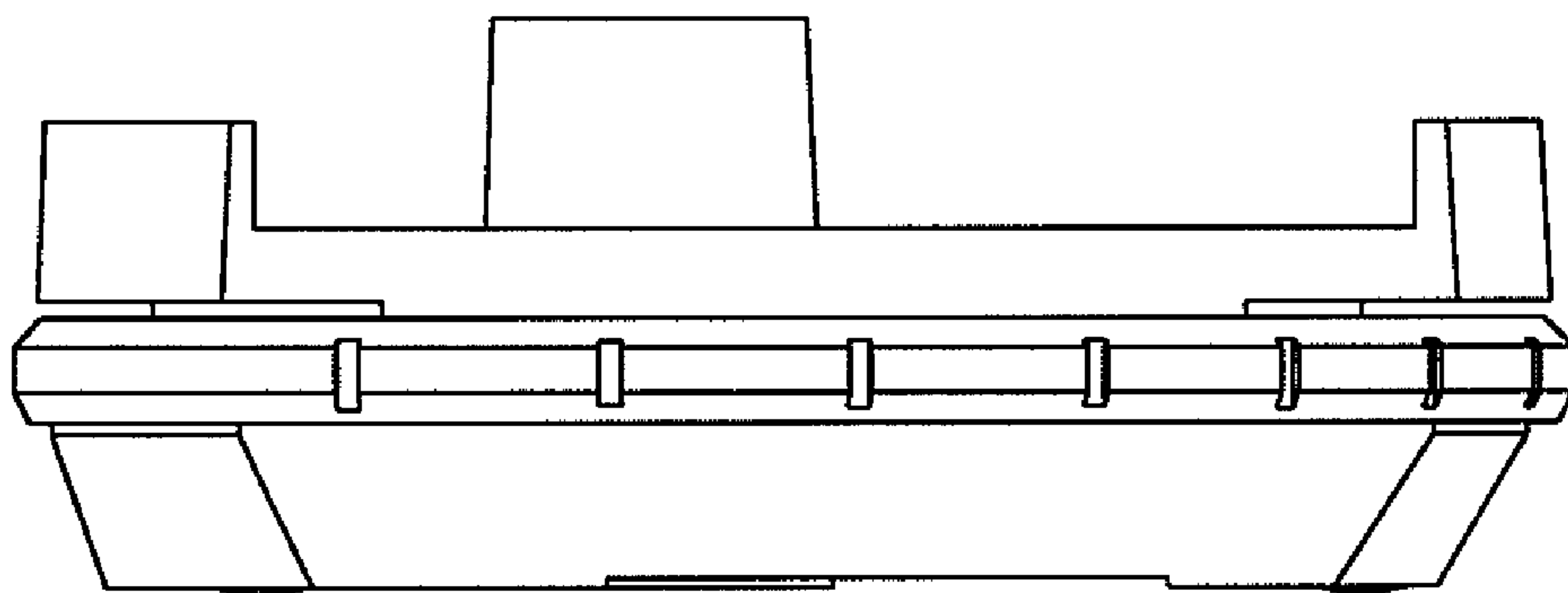


FIG.6

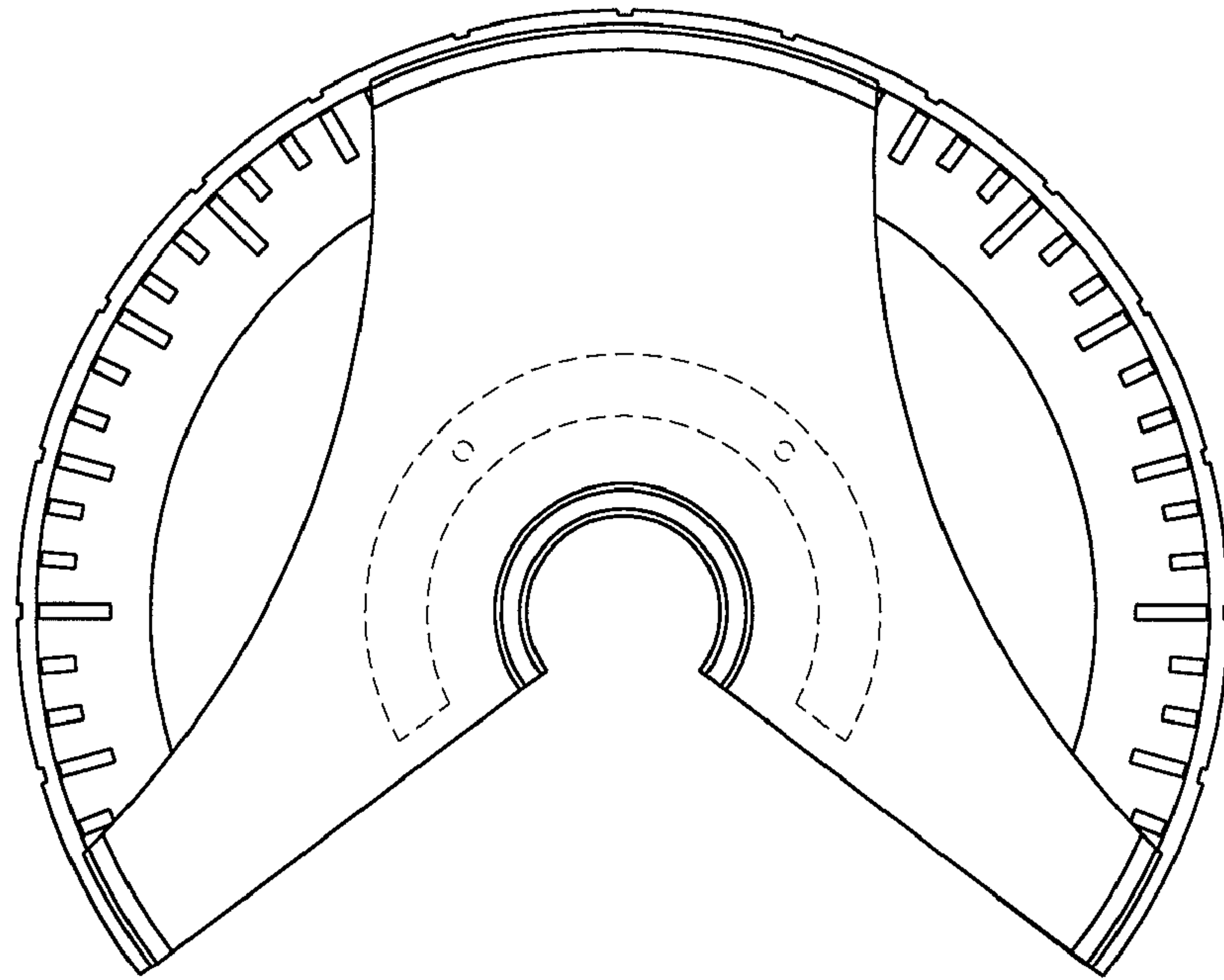


FIG. 7

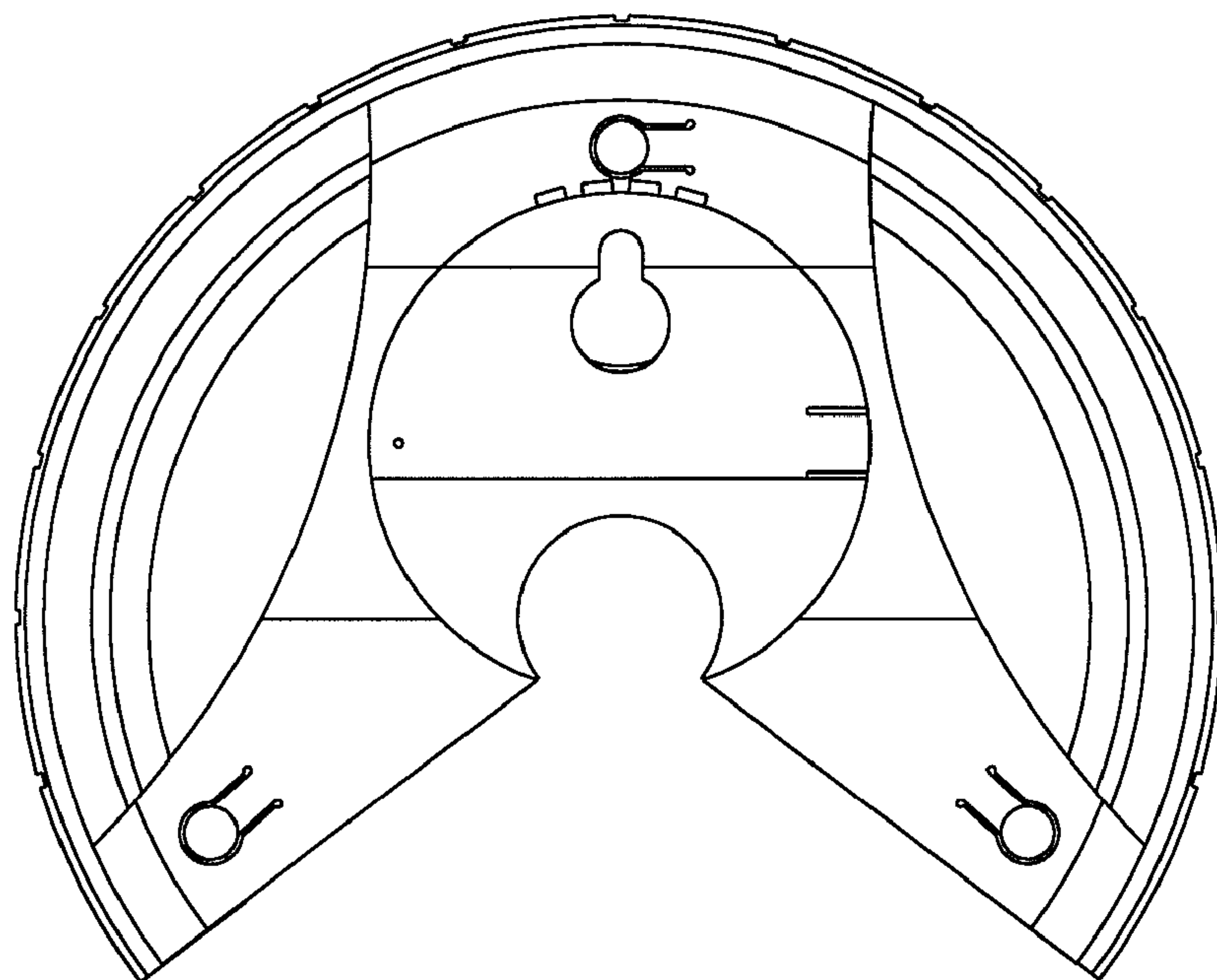


FIG. 8