



US00D599496S

(12) **United States Design Patent**  
**Lodhie**

(10) **Patent No.:** **US D599,496 S**

(45) **Date of Patent:** **\*\* Sep. 1, 2009**

(54) **CIRCULAR LIGHT STRUCTURE**

(76) **Inventor:** **Pervaiz Lodhie**, 12 Upper Blackwater Canyon Rd., Rolling Hills, CA (US) 90274

(\*\*) **Term:** **14 Years**

(21) **Appl. No.:** **29/324,267**

(22) **Filed:** **Sep. 9, 2008**

**Related U.S. Application Data**

(63) Continuation of application No. 29/302,219, filed on Jan. 11, 2008, now Pat. No. Des. 580,580.

(51) **LOC (9) Cl.** ..... **26-05**

(52) **U.S. Cl.** ..... **D26/67**

(58) **Field of Classification Search** ..... D26/67-71, D26/87, 92, 79; 362/145, 249, 252, 431, 362/432

See application file for complete search history.

(56) **References Cited**

**U.S. PATENT DOCUMENTS**

1,800,078	A	4/1931	Johnson	
1,838,789	A	12/1931	Schepperle	
2,260,473	A	10/1941	Minchillo	
2,408,643	A	10/1946	Hoy	
D173,500	S *	11/1954	Kruger et al.	D26/79
D191,128	S *	8/1961	Curtin et al.	D26/67
D192,125	S *	1/1962	Lakser	D26/67
D195,310	S	5/1963	Zagel	
3,156,418	A *	11/1964	Jablonski et al.	362/431
3,183,346	A	5/1965	Spaulding et al.	
3,474,381	A	10/1969	Baldwin	
3,539,801	A	11/1970	Bobrick	
3,603,918	A	9/1971	Woertz	
3,718,816	A	2/1973	Seelbach et al.	

3,980,368	A	9/1976	Fremont	
4,190,309	A	2/1980	Glass	
4,211,955	A	7/1980	Ray	
4,214,295	A	7/1980	Morton	
4,217,018	A	8/1980	Yoshida et al.	
D259,961	S *	7/1981	Wotowiec et al.	D26/26
D261,060	S *	9/1981	Wotowiec et al.	D26/93
4,655,520	A	4/1987	Cummings	

(Continued)

**OTHER PUBLICATIONS**

U.S. Appl. No. 29/318,604, filed Jun. 10, 2008, Lodhie.

(Continued)

*Primary Examiner*—Clare E Heflin

(74) *Attorney, Agent, or Firm*—Alonzo & Associates; Arlyn Alonzo

(57) **CLAIM**

The ornamental design for a circular light structure, as shown and described.

**DESCRIPTION**

FIG. 1 is a side view of the circular light structure;

FIG. 2 is a front view thereof;

FIG. 3 is a top plan view thereof;

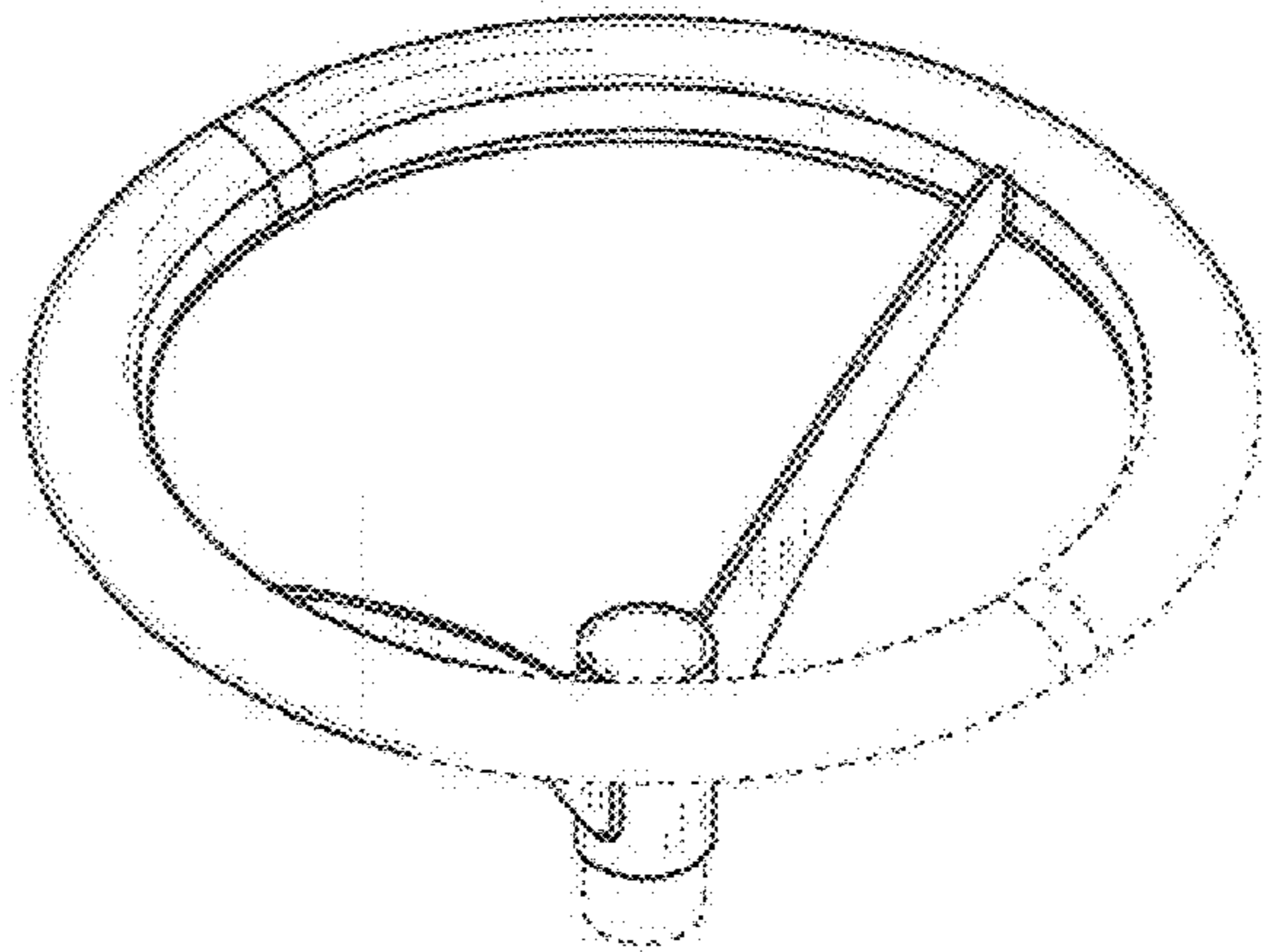
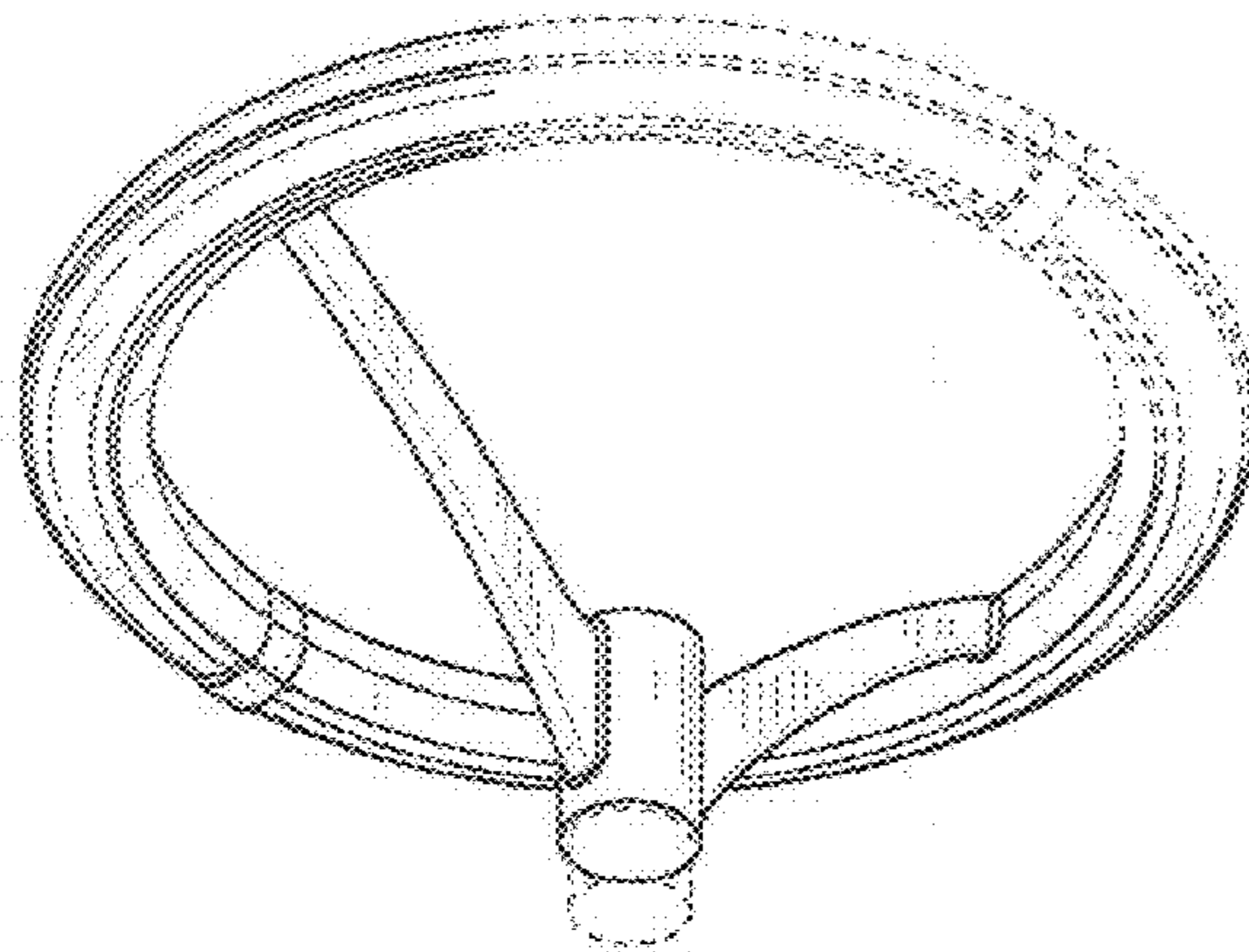
FIG. 4 is a bottom plan view thereof;

FIG. 5 is a bottom perspective view thereof; and,

FIG. 6 is a top perspective view thereof.

In FIGS. 1-6, the interior center post shown in broken lines is for illustrative purpose only and forms no part of the claimed design. In FIGS. 1-6, the portions of the circular shape shown in broken lines are for illustrative purposes only and form no part of the claimed design.

**1 Claim, 3 Drawing Sheets**



# US D599,496 S

## U.S. PATENT DOCUMENTS

4,727,289	A	2/1988	Uchida	6,011,493	A	1/2000	Bushell et al.
4,729,742	A	3/1988	Onishi et al.	6,013,985	A	1/2000	Green et al.
4,772,869	A	9/1988	Grammas et al.	D434,510	S	11/2000	Lodhie
4,812,814	A	3/1989	Elliott	6,152,568	A	11/2000	Baba et al.
4,868,719	A	9/1989	Kouchi et al.	D441,115	S	* 4/2001	Ewing ..... D26/68
4,907,361	A	3/1990	Villard	6,220,722	B1	4/2001	Begemann
4,965,457	A	10/1990	Wrobel	6,227,679	B1	5/2001	Zhang et al.
5,055,984	A	10/1991	Hung et al.	6,234,648	B1	5/2001	Borner et al.
D326,532	S	5/1992	Hume et al.	6,283,612	B1	9/2001	Hunter
5,119,174	A	6/1992	Chen	6,336,613	B1	1/2002	Roth
5,151,679	A	9/1992	Dimmick	6,345,902	B2	2/2002	Ohkohdo et al.
5,152,601	A	10/1992	Ferng	6,371,636	B1	4/2002	Wesson
5,154,509	A	10/1992	Wulfman et al.	6,457,270	B1	10/2002	Stark, III et al.
5,160,200	A	11/1992	Cheselske	6,457,410	B1	10/2002	Zerillo
5,160,201	A	11/1992	Wrobel	6,550,949	B1	4/2003	Bauer et al.
5,193,904	A	3/1993	Rist et al.	6,580,228	B1	6/2003	Chen et al.
5,224,773	A	7/1993	Arimura	6,598,996	B1	7/2003	Lodhie
5,237,490	A	8/1993	Ferng	6,659,622	B2	12/2003	Katogi et al.
5,241,457	A	8/1993	Sasajima et al.	6,659,623	B2	12/2003	Friend
5,303,124	A	4/1994	Wrobel	6,659,632	B2	12/2003	Chen
5,353,209	A	10/1994	Foottit	6,700,502	B1	3/2004	Pederson
5,390,092	A	2/1995	Lin	6,722,771	B1	4/2004	Stephens
5,400,228	A	3/1995	Kao	6,768,047	B2	7/2004	Chang et al.
5,410,453	A	4/1995	Ruskouski	6,814,459	B2	11/2004	Pederson
5,453,729	A	9/1995	Chu	D504,536	S	* 4/2005	Emory et al. .... D26/67
5,526,236	A	6/1996	Burnes et al.	6,942,361	B1	9/2005	Kishimura et al.
5,567,036	A	10/1996	Theobald et al.	7,063,451	B2	6/2006	Shen
5,577,832	A	11/1996	Lodhie	7,111,957	B2	9/2006	Bernhart et al.
5,580,161	A	* 12/1996	Vakil et al. .... 362/260	7,234,832	B2	6/2007	Lippis et al.
5,585,783	A	12/1996	Hall	7,237,932	B2	7/2007	Ter Hovhannissian
5,588,740	A	12/1996	Kasuga	2002/0163805	A1	11/2002	Hubbell et al.
5,599,086	A	2/1997	Dutta	2002/0171543	A1	11/2002	Abbe et al.
5,629,607	A	5/1997	Callahan et al.	2002/0196707	A1	12/2002	Kitchin et al.
5,647,658	A	7/1997	Ziadi	2003/0095404	A1	5/2003	Becks et al.
5,661,374	A	8/1997	Cassidy et al.	2003/0102810	A1	6/2003	Cross et al.
5,661,645	A	8/1997	Hochstein	2003/0102810	A1	6/2003	Cross et al.
D385,051	S	10/1997	Wu	2004/0012959	A1	1/2004	Robertson et al.
5,702,177	A	12/1997	Lin	2004/0062041	A1	4/2004	Cross et al.
D388,726	S	1/1998	Wu	2006/0109661	A1	5/2006	Coushaine et al.
5,710,560	A	1/1998	Cohn				
5,765,940	A	6/1998	Levy et al.				
5,772,315	A	6/1998	Shen				
5,793,164	A	8/1998	Authier				
5,803,585	A	9/1998	Littman et al.				
5,806,965	A	9/1998	Deese				
D402,772	S	12/1998	Lodhie				
5,842,297	A	12/1998	Tung				
D404,506	S	1/1999	Lodhie				
5,855,268	A	1/1999	Zoladz, Jr.				
D405,201	S	2/1999	Lodhie				
5,887,968	A	3/1999	Logan				
5,921,660	A	7/1999	Yu				
5,929,788	A	7/1999	Vukosic				
5,947,588	A	9/1999	Huang				
5,964,051	A	10/1999	Loeber et al.				
5,984,494	A	11/1999	Chapman et al.				

## OTHER PUBLICATIONS

U.S. Appl. No. 11/928,349, filed Oct. 30, 2007, Lodhie.  
 U.S. Appl. No. 29/302,219, filed Jan. 11, 2008, Lodhie.  
 U.S. Appl. No. 29/323,210, filed Aug. 20, 2008, Lodhie.  
 U.S. Appl. No. 29/322,471, filed Aug. 5, 2008, Lodhie.  
 U.S. Appl. No. 11/924,496, filed Oct. 25, 2007, Lodhie.  
 U.S. Appl. No. 29/302,184, filed Jan. 11, 2008, Lodhie.  
 U.S. Appl. No. 12/137,337, filed Jun. 11, 2008, Lodhie.  
 U.S. Appl. No. 29/318,600, filed Jun. 10, 2008, Lodhie.  
 U.S. Appl. No. 29/318,602, filed Jun. 10, 2008, Lodhie.  
 Four (4) photographs of an LED light fixture that is commercially available.  
 LED light fixtures available on the following website: [www.hollysolar.com](http://www.hollysolar.com).  
 LED light fixtures available on the following website: [www.geblighting.com](http://www.geblighting.com).

\* cited by examiner

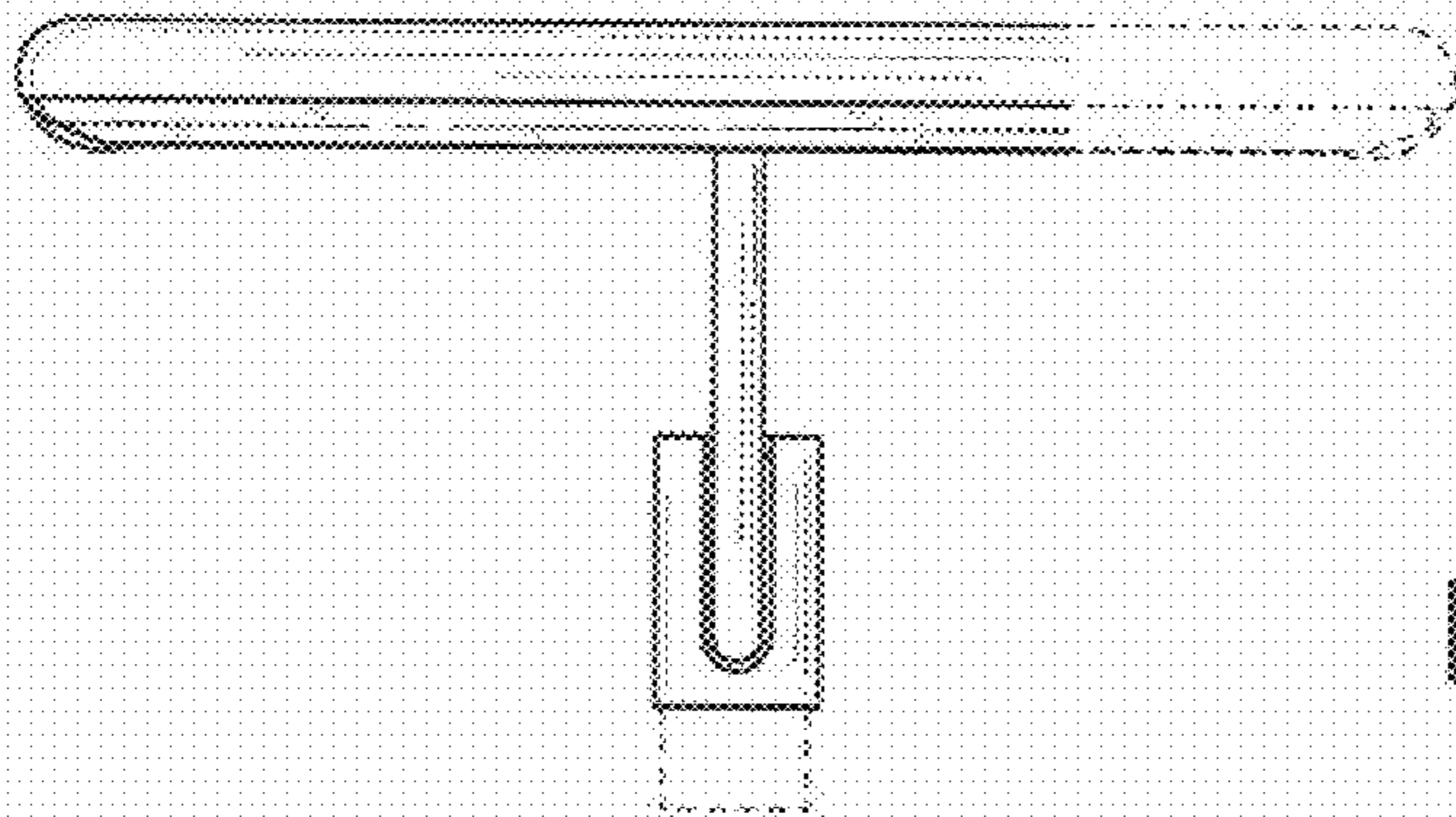


FIG. 1

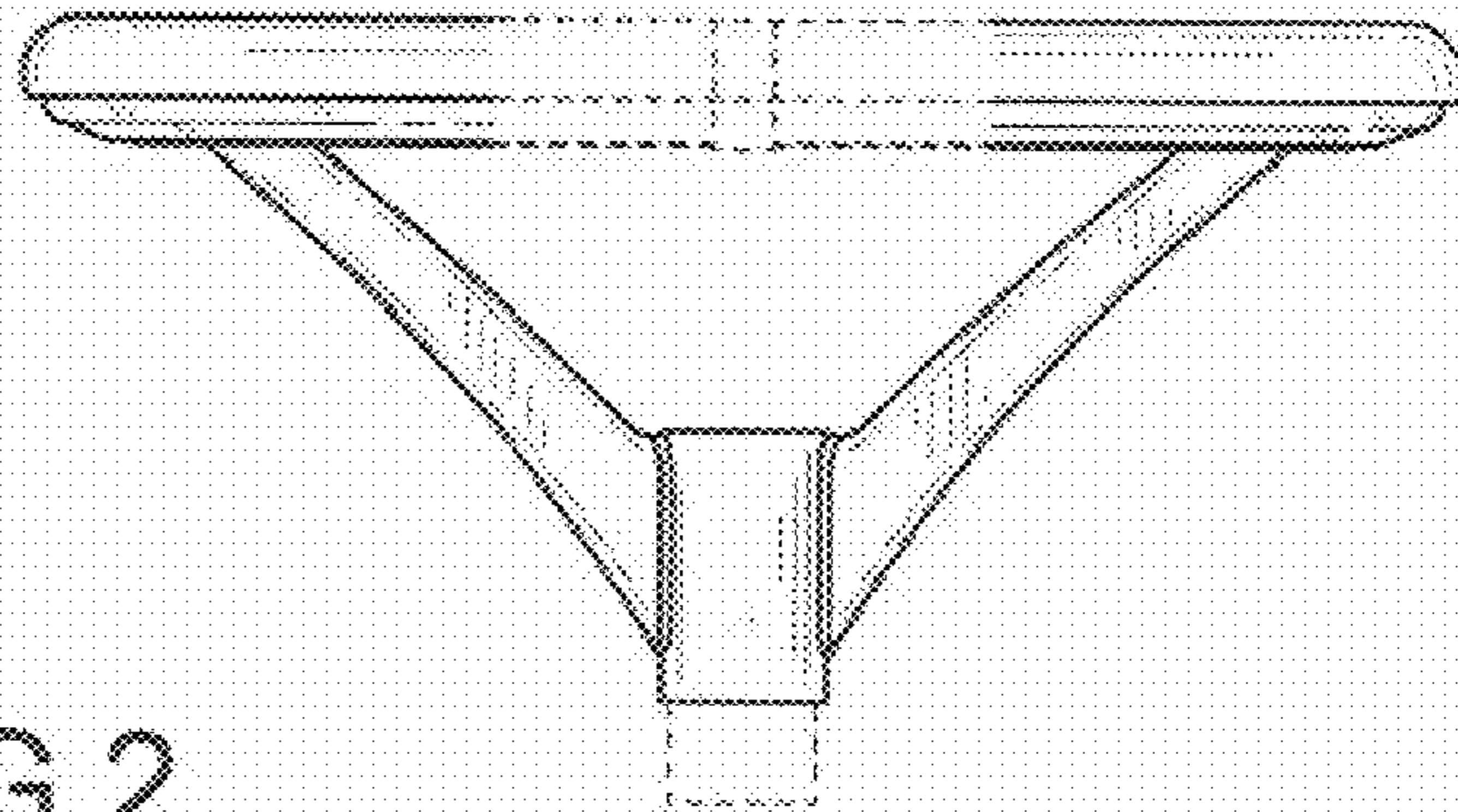


FIG. 2

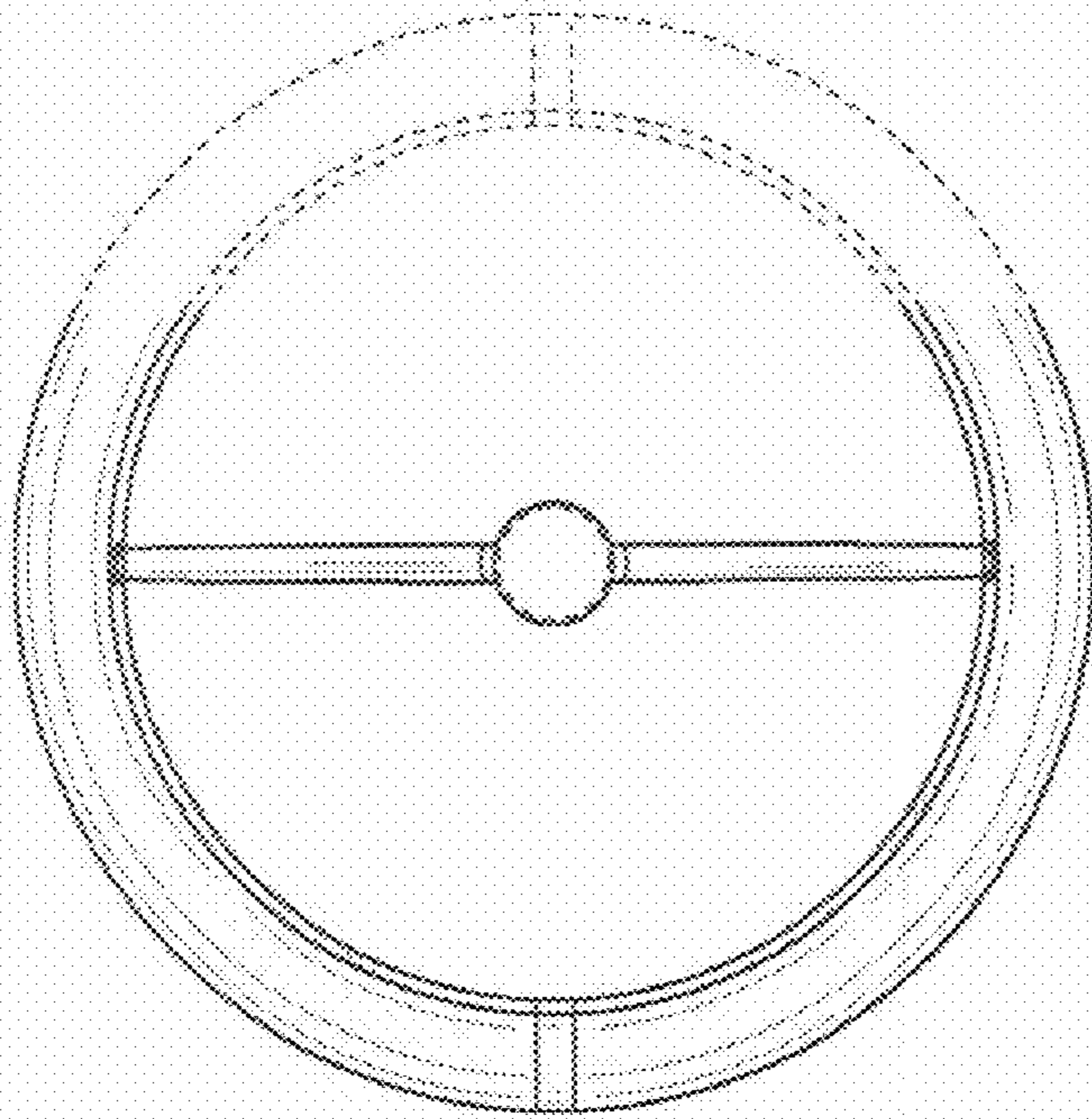


FIG.3

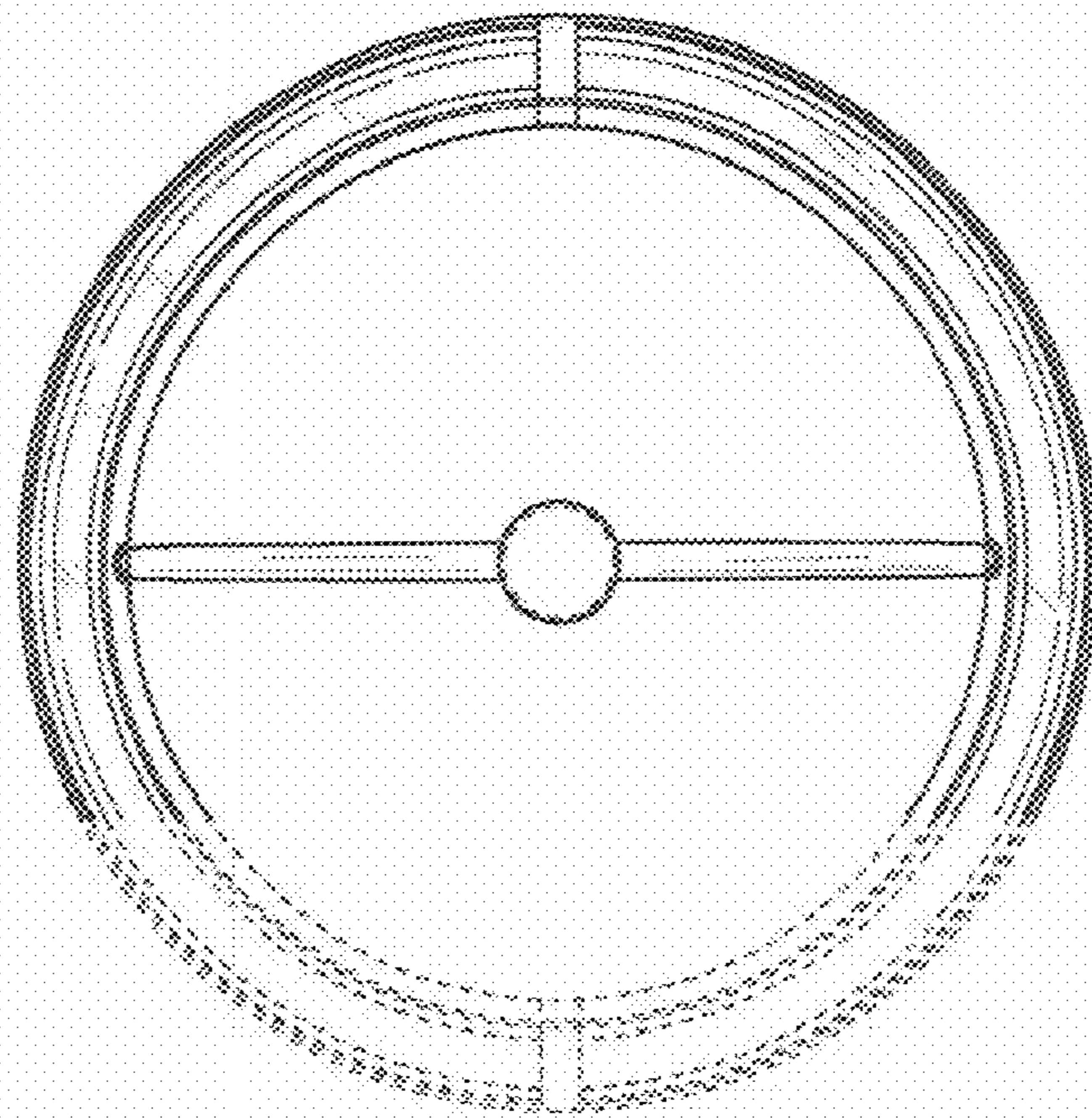


FIG.4

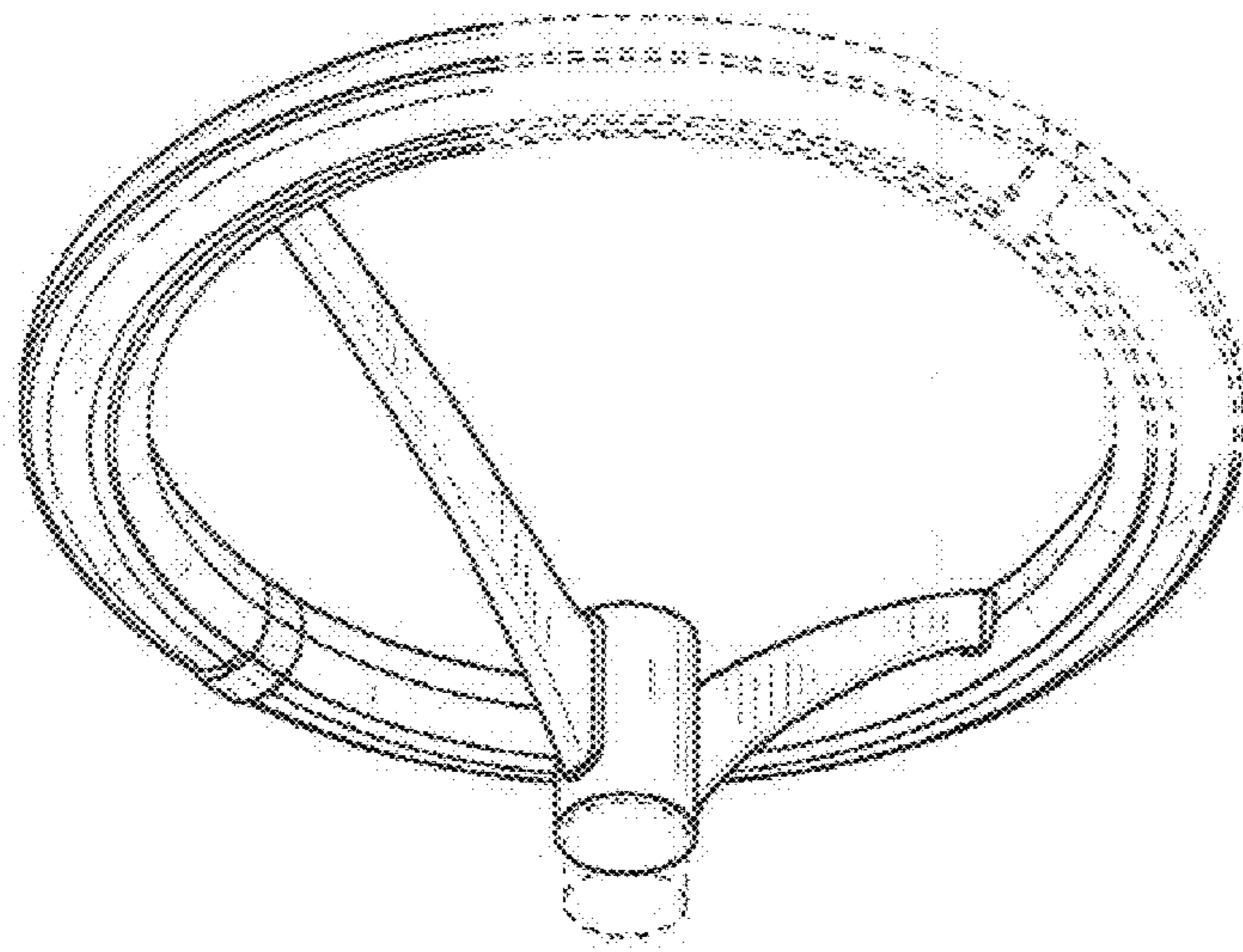


FIG. 5

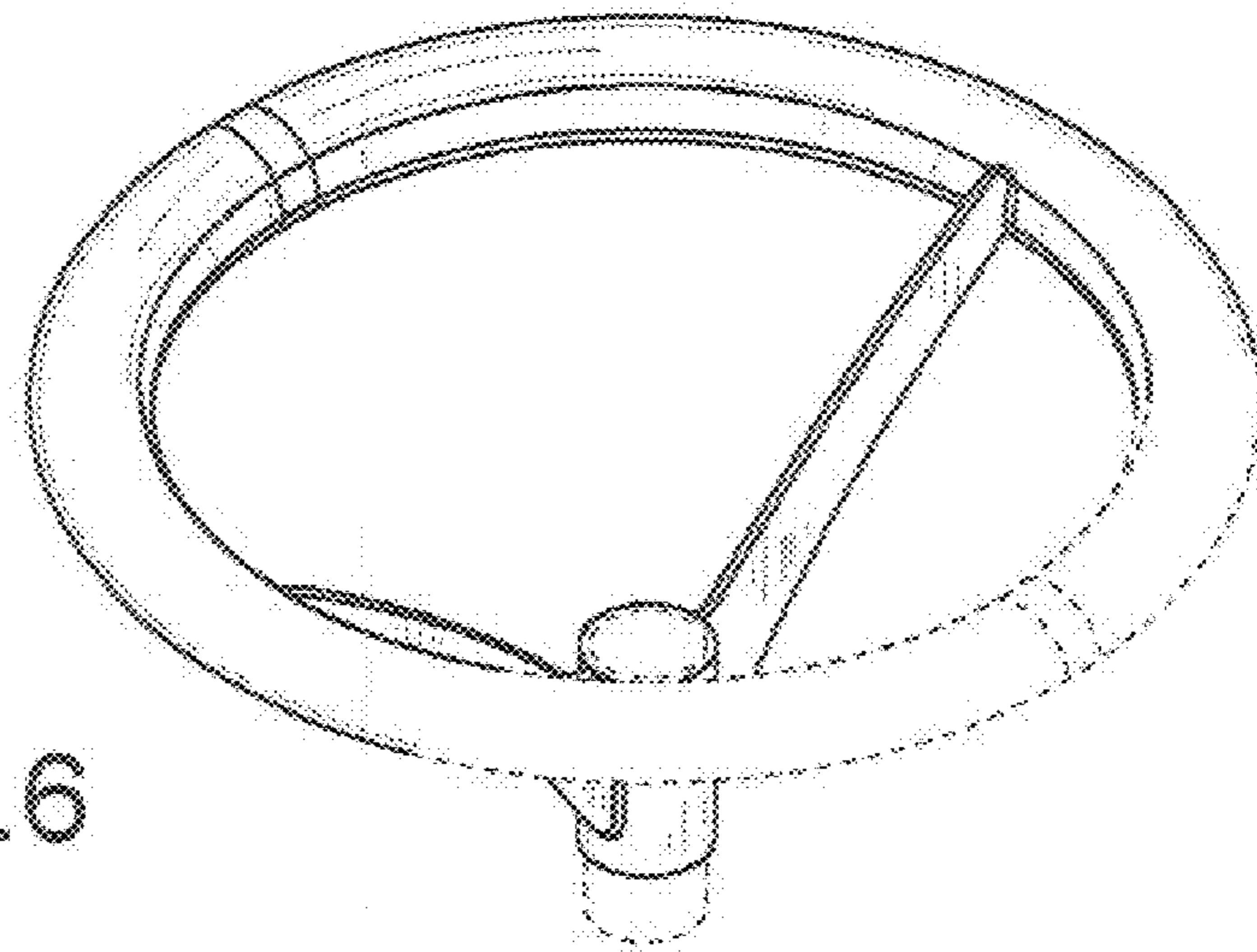


FIG. 6