



US00D599495S

(12) **United States Design Patent**
Xiao et al.

(10) **Patent No.:** **US D599,495 S**

(45) **Date of Patent:** **** Sep. 1, 2009**

(54) **LED SOLAR LAMP**

(75) Inventors: **Xin-Jian Xiao**, Shenzhen (CN);
Shih-Hsun Wung, Taipei-Hsien (TW)

(73) Assignee: **Foxconn Technology Co., Ltd.**,
Tu-Cheng, Taipei Hsien (TW)

(**) Term: **14 Years**

(21) Appl. No.: **29/320,986**

(22) Filed: **Jul. 9, 2008**

(51) **LOC (9) Cl.** **26-05**

(52) **U.S. Cl.** **D26/67**

(58) **Field of Classification Search** D26/67-72,
D26/85; 362/183, 431, 152-153.1
See application file for complete search history.

(56) **References Cited**

U.S. PATENT DOCUMENTS

D191,128 S * 8/1961 Curtin et al. D26/67
D236,024 S * 7/1975 Stentz D26/67
D275,969 S * 10/1984 Bowers D26/67
D404,842 S * 1/1999 Hurst D26/68

D506,281 S * 6/2005 Randazzo et al. D26/67
6,942,361 B1 * 9/2005 Kishimura et al. 362/431
D517,233 S * 3/2006 Doppelt D26/67
D573,742 S * 7/2008 Bears D26/71
2006/0250803 A1 * 11/2006 Chen 362/373

* cited by examiner

Primary Examiner—Clare E Heflin

(74) *Attorney, Agent, or Firm*—Frank R. Niranjana

(57) **CLAIM**

The ornamental design for an LED solar lamp, as shown.

DESCRIPTION

FIG. 1 is a perspective view of an LED solar lamp showing our new design.

FIG. 2 is a front elevational view thereof.

FIG. 3 is a rear elevational view thereof.

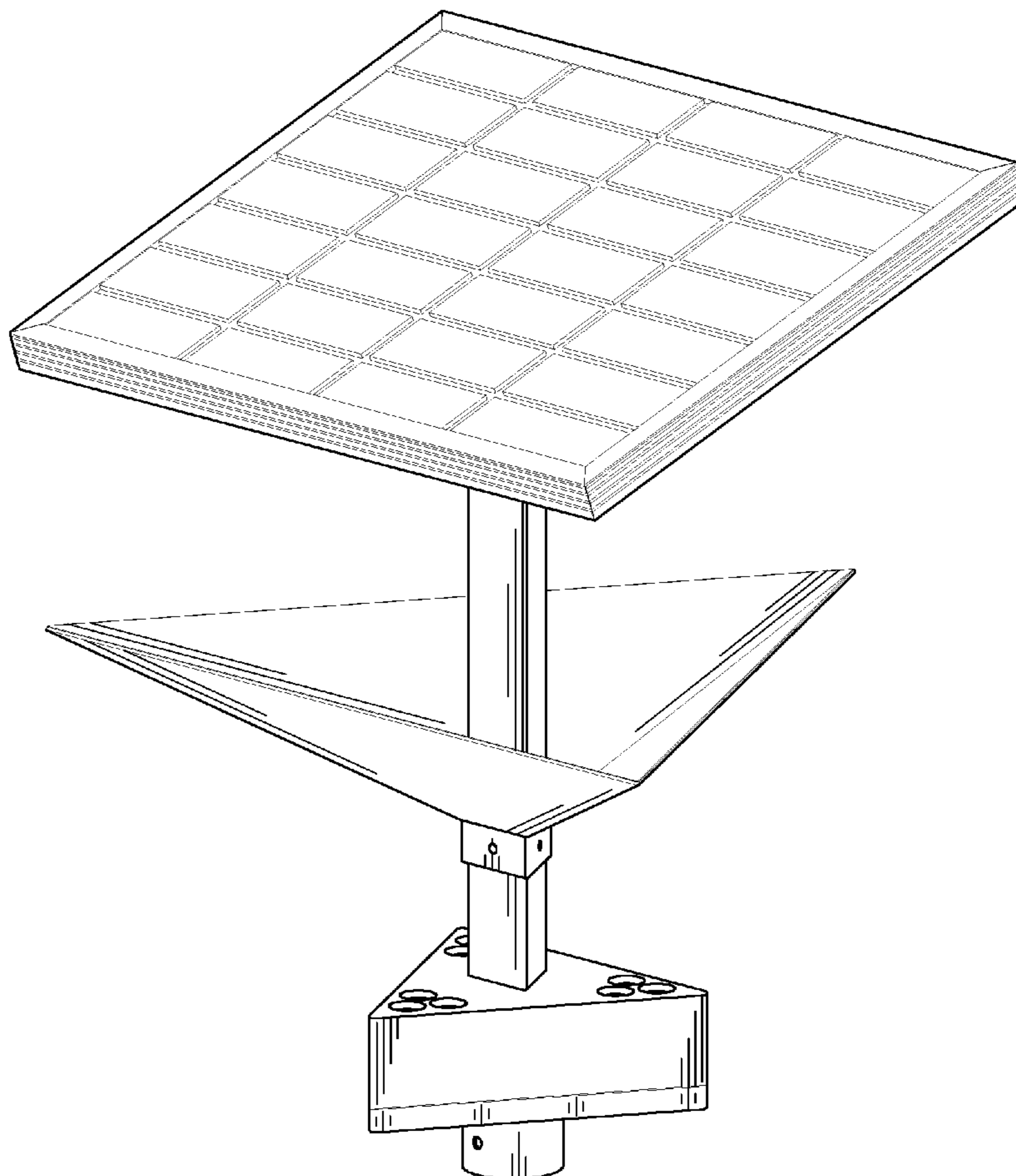
FIG. 4 is a left-side, elevational view thereof.

FIG. 5 is a right-side, elevational view thereof.

FIG. 6 is a top plan view thereof; and,

FIG. 7 is a bottom plan view thereof.

1 Claim, 7 Drawing Sheets



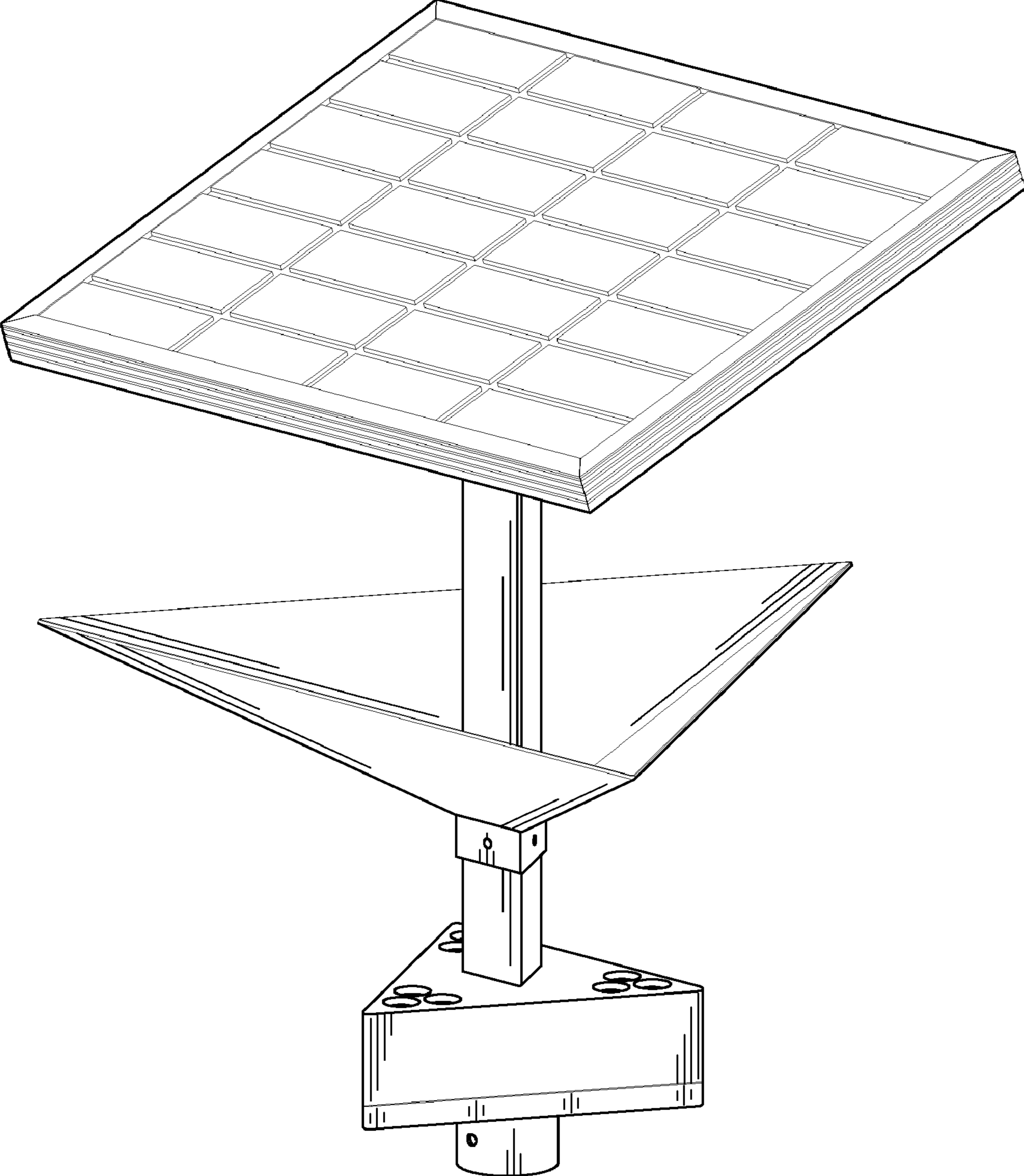


FIG. 1

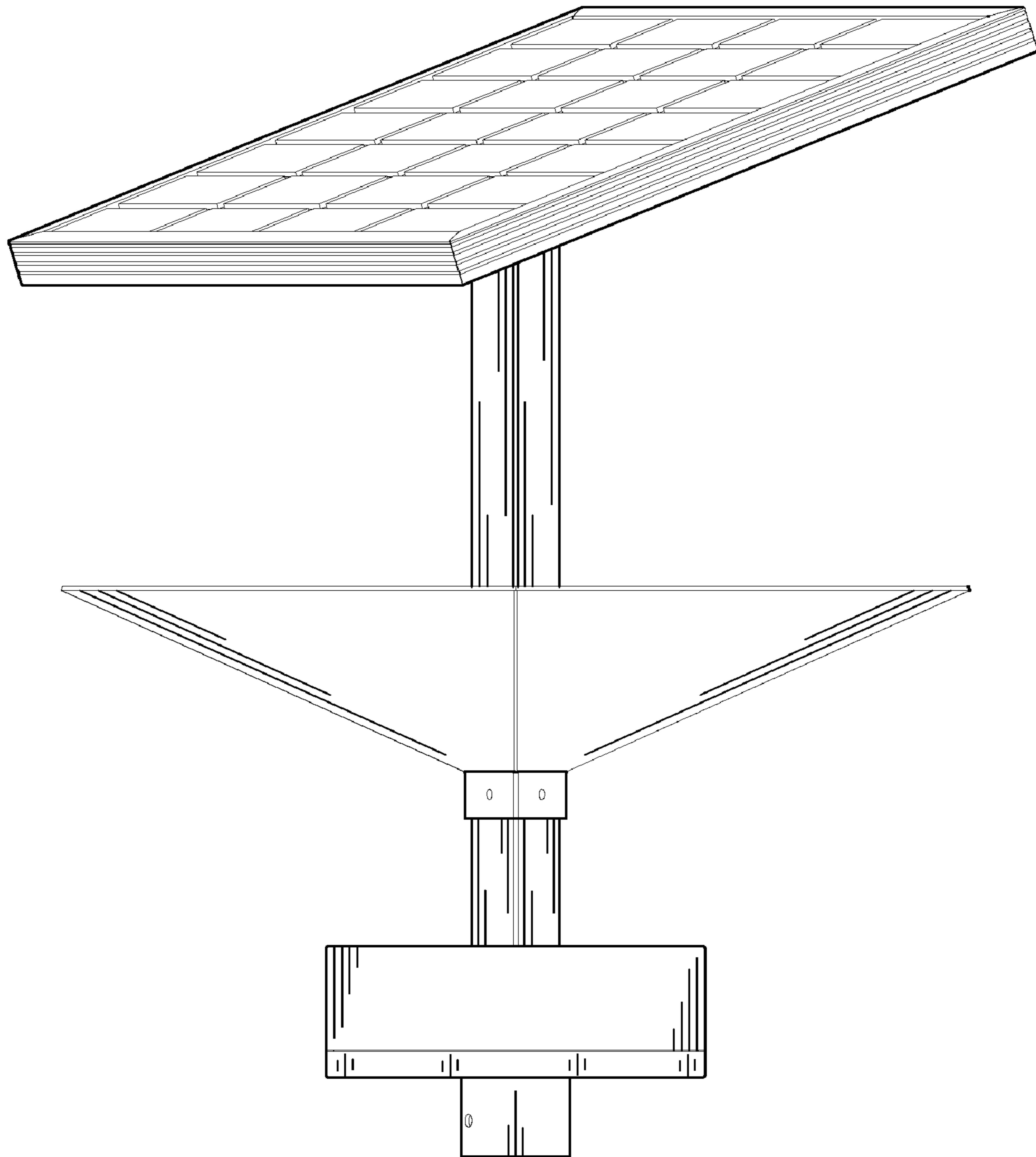


FIG. 2

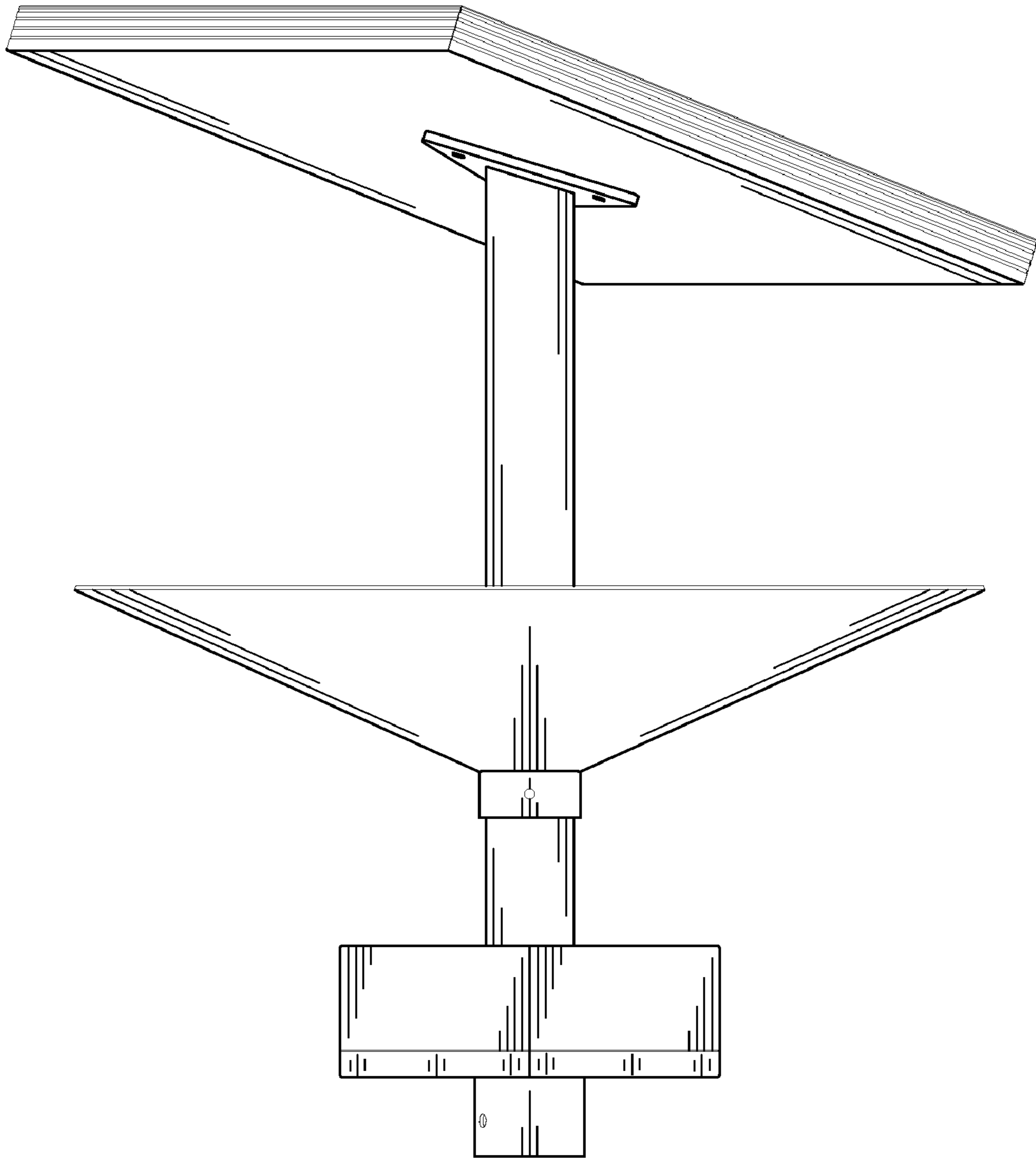


FIG. 3

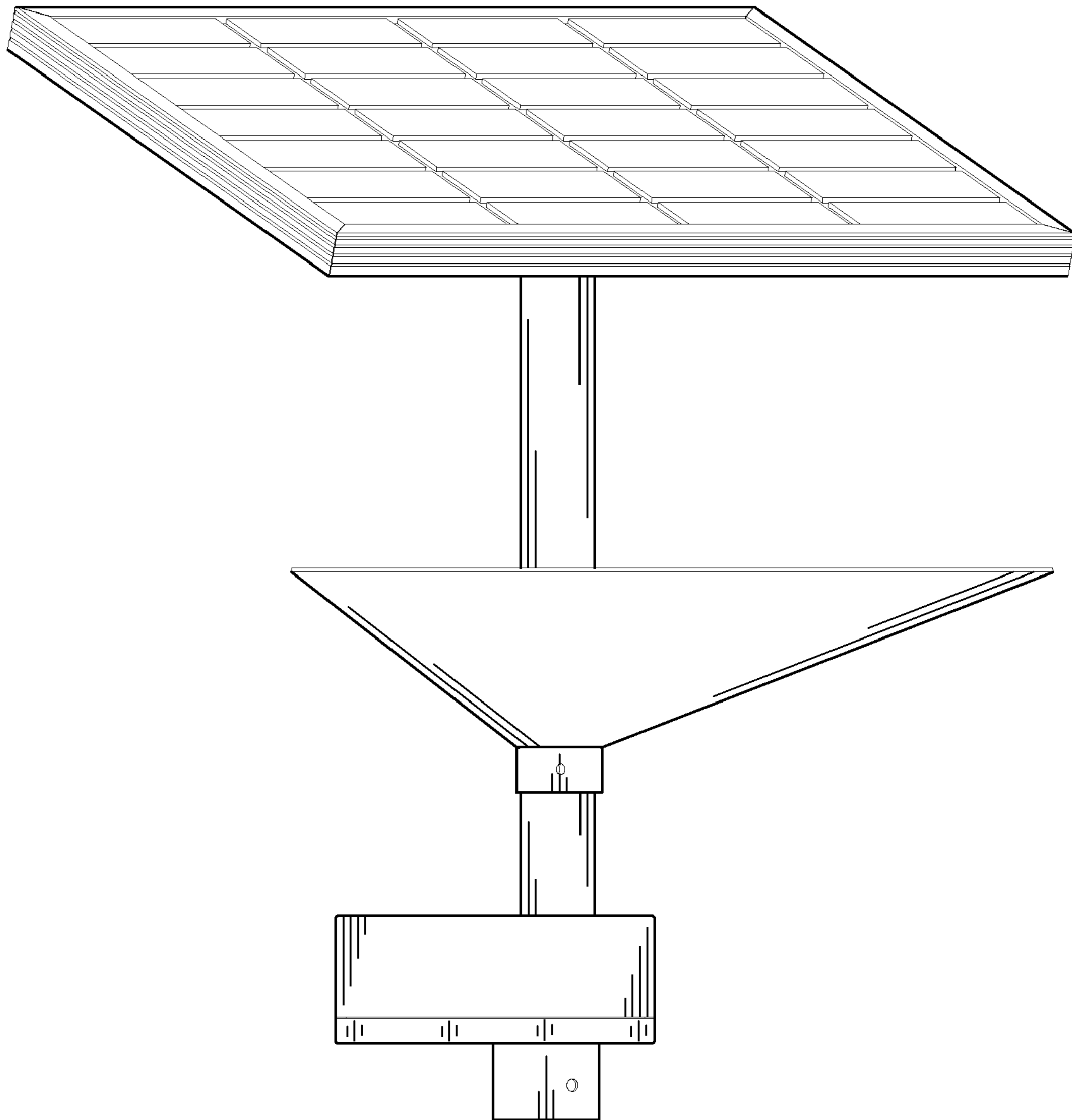


FIG. 4

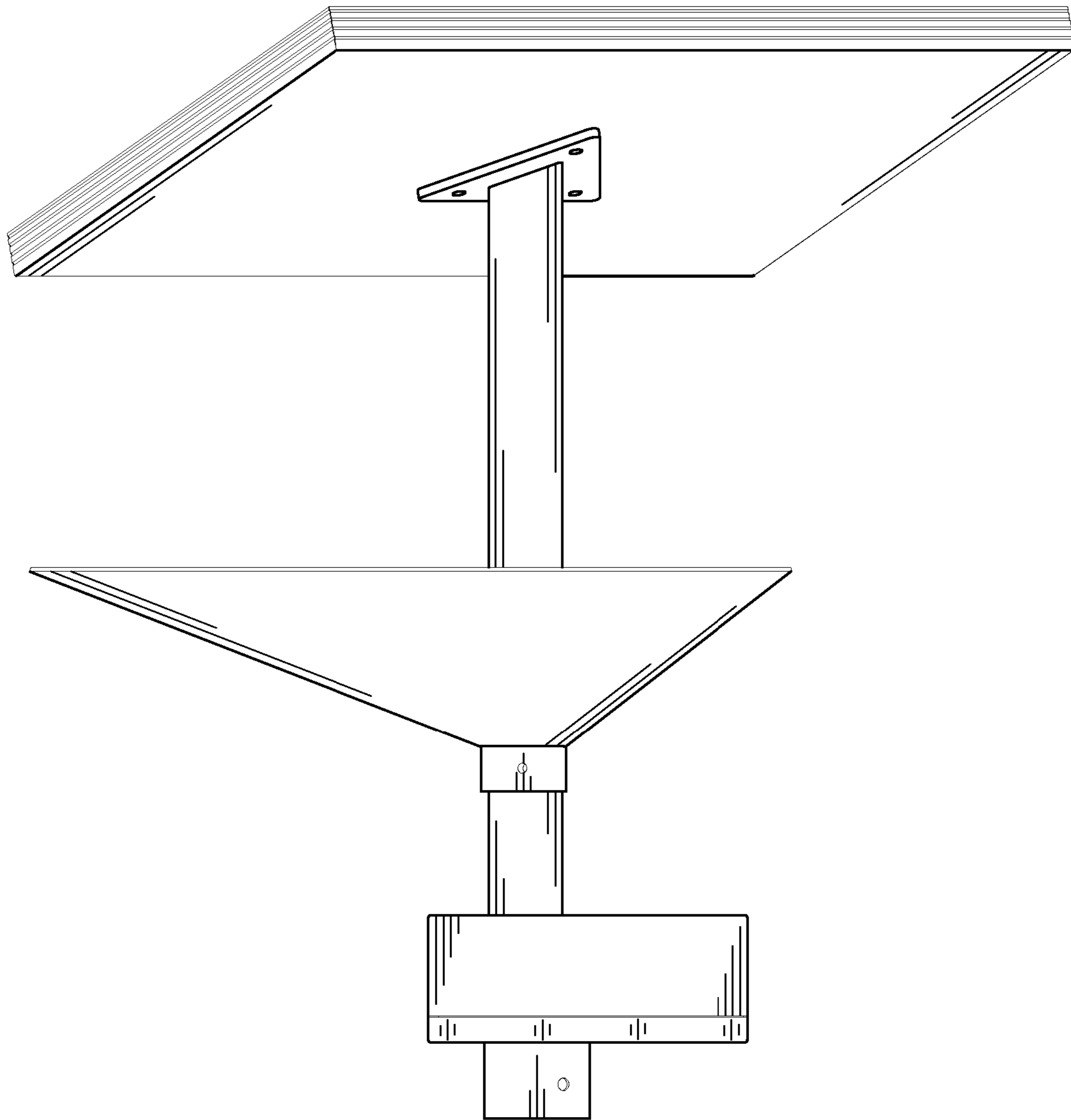


FIG. 5

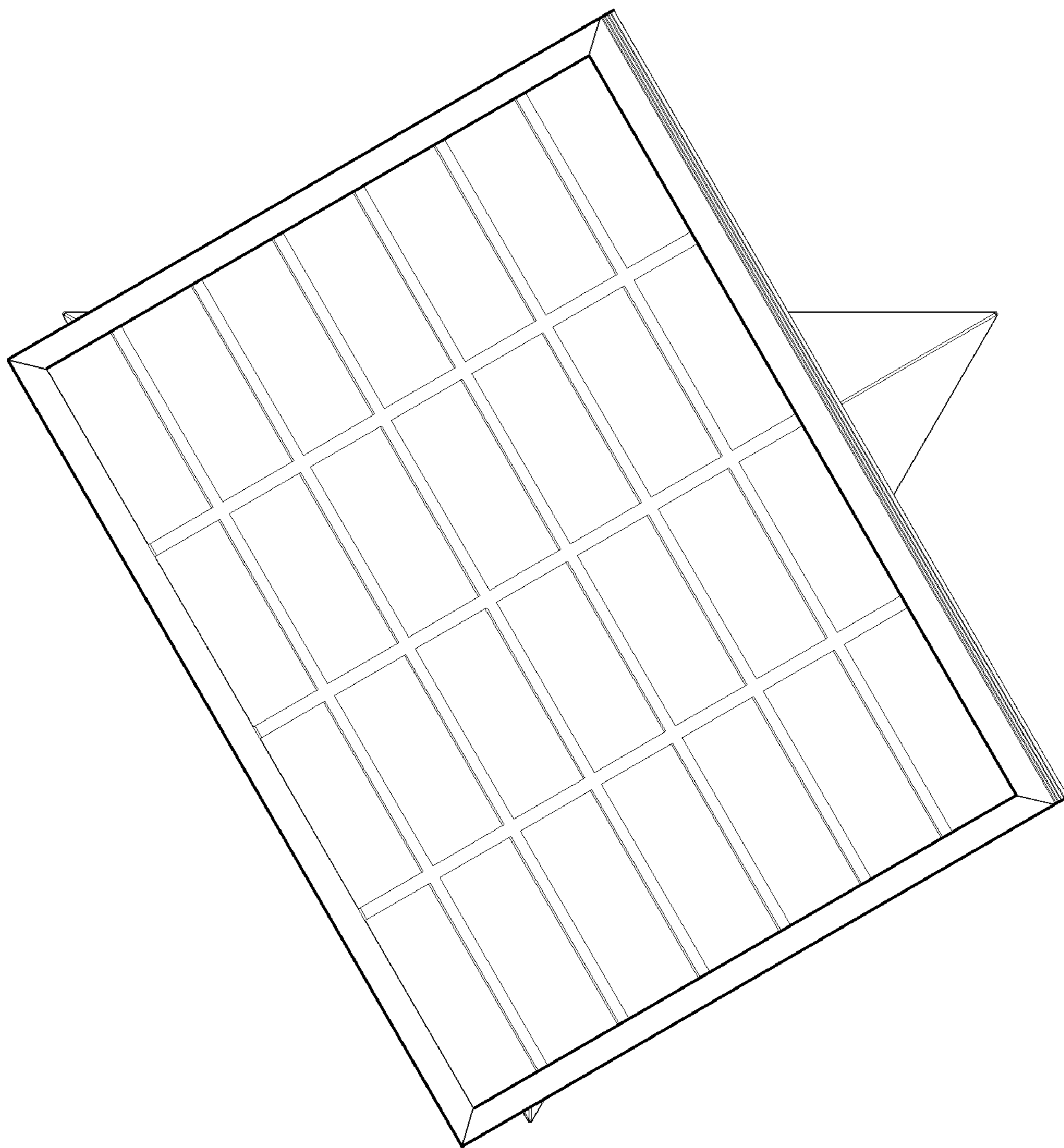


FIG. 6

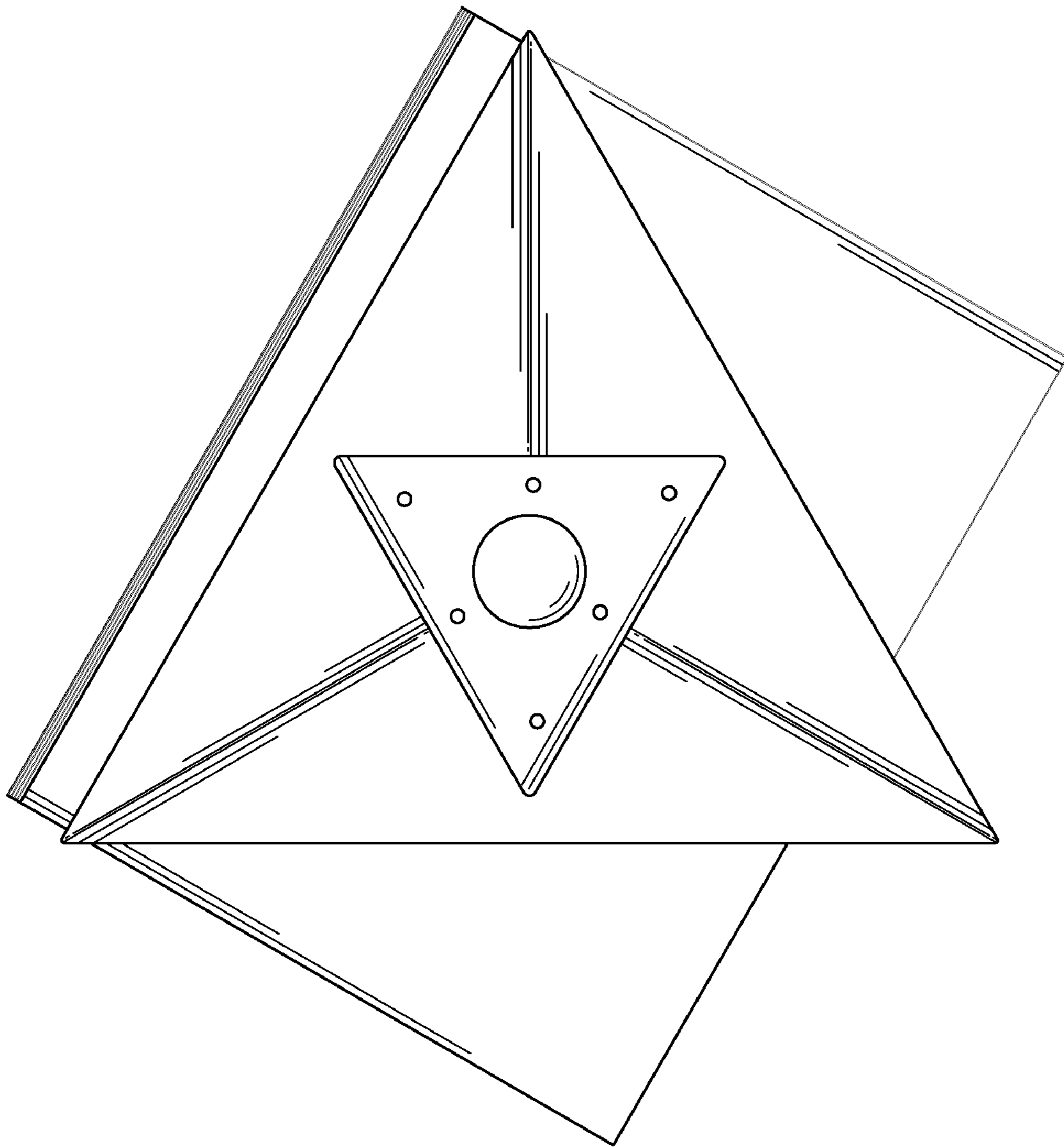


FIG. 7