



US00D599493S

(12) **United States Design Patent**
Yang

(10) **Patent No.:** **US D599,493 S**
(45) **Date of Patent:** **** Sep. 1, 2009**

- (54) **CEILING FAN LIGHT KIT**
- (75) Inventor: **Helen Yang**, Rowland Heights, CA (US)
- (73) Assignee: **Air Cool Industrial Co., Ltd.**, Taichung (TW)
- (**) Term: **14 Years**
- (21) Appl. No.: **29/331,147**
- (22) Filed: **Jan. 21, 2009**
- (51) **LOC (9) Cl.** **26-05**
- (52) **U.S. Cl.** **D26/59**
- (58) **Field of Classification Search** D23/411, D23/377, 379, 385; D26/59, 51, 72, 81-86, D26/88; 416/5; 362/96
See application file for complete search history.

- D415,303 S 10/1999 Lin
- D417,494 S 12/1999 Evans
- D417,499 S 12/1999 Zuege
- 6,059,531 A 5/2000 Tai
- 6,135,618 A 10/2000 Tai
- D435,643 S 12/2000 Williams
- D441,442 S 5/2001 Williams
- 6,259,025 B1 7/2001 Tai
- D451,993 S 12/2001 Hsieh
- 6,379,116 B1 4/2002 Tai
- D457,619 S 5/2002 Hsieh
- D457,947 S 5/2002 Tai
- 6,392,146 B1 5/2002 Tai
- D458,675 S 6/2002 Tai

(Continued)

Primary Examiner—Lisa P Lichtenstein
(74) *Attorney, Agent, or Firm*—Morrison & Foerster LLP

(56) **References Cited**
U.S. PATENT DOCUMENTS

- D102,906 S 1/1937 Lescaze
- D287,518 S 12/1986 Ohno
- D294,604 S 3/1988 Shibukawa
- D346,210 S 4/1994 Holbrook
- D359,553 S 6/1995 Hsi
- 5,458,464 A 10/1995 Lee
- D367,321 S 2/1996 Holbrook
- D369,405 S 4/1996 Holbrook
- 5,508,484 A 4/1996 Chen
- D376,004 S 11/1996 Tsuji
- D376,421 S 12/1996 Jaspers-Fayer
- D383,529 S 9/1997 Tsuji
- D388,870 S 1/1998 Holbrook
- D396,530 S 7/1998 Tai
- D401,322 S 11/1998 Liu
- D404,808 S 1/1999 Tai
- D404,809 S 1/1999 Tai
- D405,878 S 2/1999 Tai
- D408,073 S 4/1999 Tai
- D408,074 S 4/1999 Tai
- D408,516 S 4/1999 Tai
- D409,297 S 5/1999 Tai
- 5,944,487 A 8/1999 Pearce
- D414,860 S 10/1999 Thomas

(57) **CLAIM**

The ornamental design for a ceiling fan light kit, as shown and described.

DESCRIPTION

FIG. 1 is a perspective view of a ceiling fan having a light kit constructed in accordance with the present invention, the ceiling fan illustrates an environment for said light kit;

FIG. 2 is another enlarged perspective view of a light kit in accordance with the present invention;

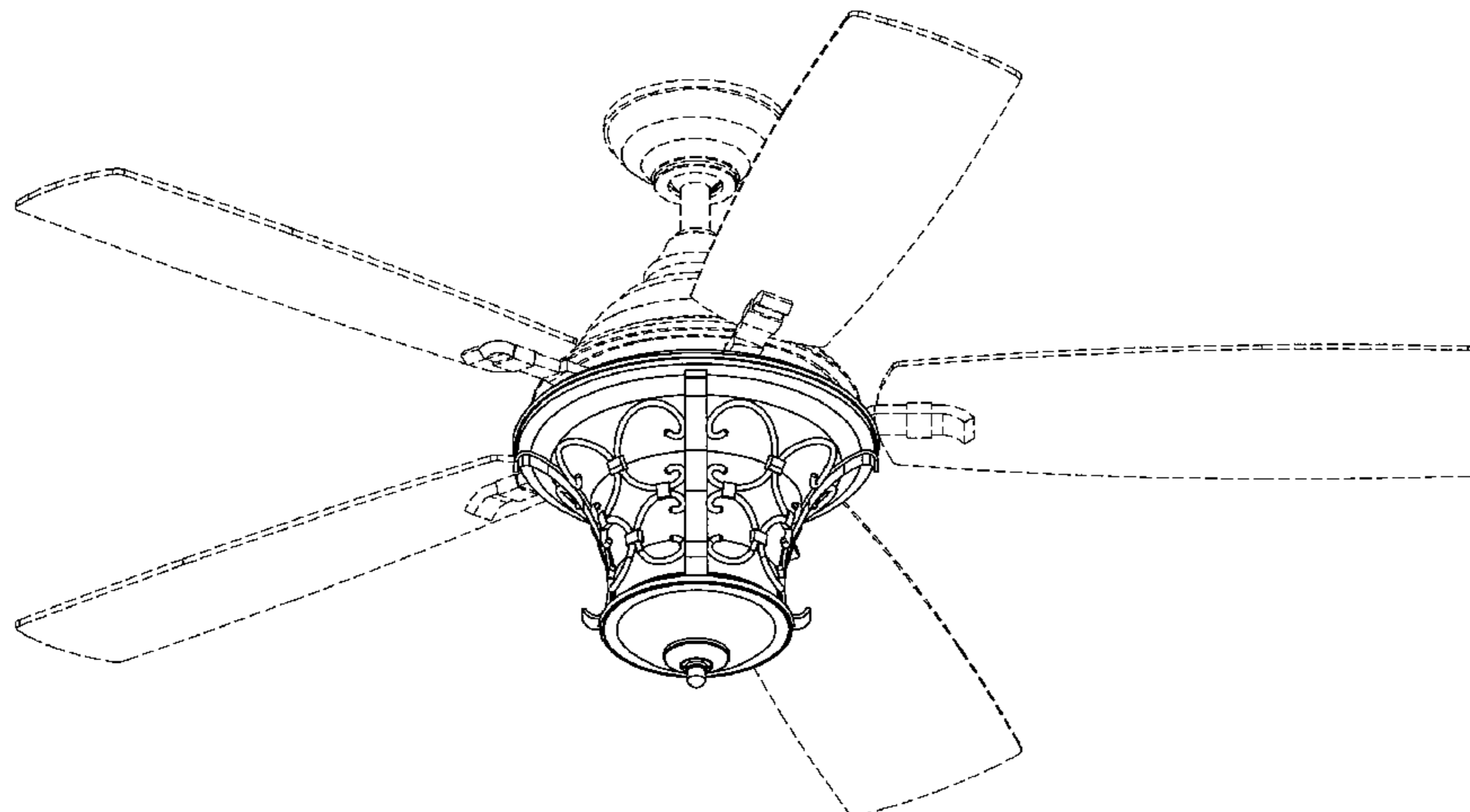
FIG. 3 is an enlarged bottom view of the light kit in accordance with the present invention;

FIG. 4 is still another enlarged perspective view of the light kit in accordance with the present invention; and,

FIG. 5 is an enlarged side view of the light kit in accordance with the present invention.

The broken line showing of a ceiling fan is included for the purpose of illustrating environmental structure and forms no part of the claimed design.

1 Claim, 5 Drawing Sheets



US D599,493 S

Page 2

U.S. PATENT DOCUMENTS

D460,208 S	7/2002	Dolan		D519,629 S	4/2006	Pickett	
D476,410 S	6/2003	Young		D520,630 S	5/2006	Pickett	
D478,381 S	8/2003	Tai		D525,355 S	7/2006	Hidalgo	
D479,872 S	9/2003	Young		D525,700 S	7/2006	Ertze	
D480,797 S	10/2003	Young		D525,701 S	7/2006	Glasbrenner	
D480,800 S	10/2003	Stauffer		D526,714 S	8/2006	Hidalgo	
D481,455 S	10/2003	Young		D527,090 S	8/2006	Pan	
D483,463 S	12/2003	Tai		D527,454 S	8/2006	Hidalgo	
D483,464 S	12/2003	Tai		D530,811 S	10/2006	Ertze	
D483,465 S	12/2003	Tai		D531,298 S	10/2006	Hidalgo	
D483,847 S	12/2003	Tai		D531,305 S	10/2006	Glasbrenner	
D483,848 S	12/2003	Tai		D531,307 S	10/2006	Shurtleff	
D483,849 S	12/2003	Tai		D531,722 S	11/2006	Ertze	
D483,850 S	12/2003	Tai		D532,901 S	11/2006	Ertze	
D484,269 S	12/2003	Hsu		D533,267 S	12/2006	Pan	
D484,588 S	12/2003	Tai		D535,385 S	1/2007	Pickett	
D484,969 S	1/2004	Tai		D536,466 S	2/2007	Pan	
D485,344 S	1/2004	Tai		D539,896 S	4/2007	Pan	
D485,609 S	1/2004	Tai		D540,460 S	4/2007	Pickett	
D485,611 S	1/2004	Tai		D541,409 S	4/2007	Ertze	
D485,897 S	1/2004	Tai		D541,410 S	4/2007	Ertze	
D486,215 S	2/2004	Hsieh		D543,268 S	5/2007	Ertze	
D487,506 S	3/2004	Burns		D543,302 S	5/2007	Ertze	
D489,445 S	* 5/2004	Burns D23/411	D545,422 S	6/2007	Glasbrenner	
D489,471 S	5/2004	Huang		D546,439 S	7/2007	Glasbrenner	
D490,888 S	6/2004	Tai		D546,936 S	7/2007	Ertze	
D494,705 S	8/2004	Tai		D547,433 S	7/2007	Wang	
D501,578 S	2/2005	Tai		D547,435 S	7/2007	Lee	
D503,472 S	3/2005	Tai		D547,857 S	7/2007	Lee	
D503,473 S	3/2005	Tai		D551,755 S	9/2007	Shurtleff	
D503,474 S	3/2005	Tai		D552,777 S	10/2007	Pan	
D503,475 S	3/2005	Tai		D554,250 S	10/2007	Shurtleff	
D503,476 S	3/2005	Tai		D554,251 S	10/2007	Shurtleff	
D503,795 S	4/2005	Tai		D555,270 S	* 11/2007	Ertze D26/59
D504,173 S	4/2005	Cohen		D558,328 S	12/2007	Badarello	
D504,502 S	4/2005	Young		D559,971 S	1/2008	Frampton	
D505,197 S	5/2005	Tai		D561,328 S	2/2008	Hidalgo	
D505,724 S	5/2005	Tai		D564,651 S	3/2008	Pan	
D507,644 S	7/2005	Tai		D564,652 S	3/2008	Pan	
D507,830 S	7/2005	Pan		D565,221 S	3/2008	Pan	
D510,428 S	10/2005	Hidalgo		D569,964 S	5/2008	Ertze	
D510,623 S	10/2005	Tai		D570,022 S	5/2008	Ertze	
D510,624 S	10/2005	Graham		D571,452 S	6/2008	Ertze	
D510,999 S	10/2005	Thomas		D573,242 S	7/2008	Pan	
D515,199 S	2/2006	Hidalgo		D573,243 S	7/2008	Pan	
D516,704 S	3/2006	Pickett		D573,245 S	7/2008	Pan	
D517,201 S	3/2006	Gajewski		D573,737 S	7/2008	Lee	
D518,567 S	4/2006	Hidalgo		D578,636 S	10/2008	Pan	
D518,887 S	4/2006	Tai		D580,044 S	11/2008	Ertze	

* cited by examiner

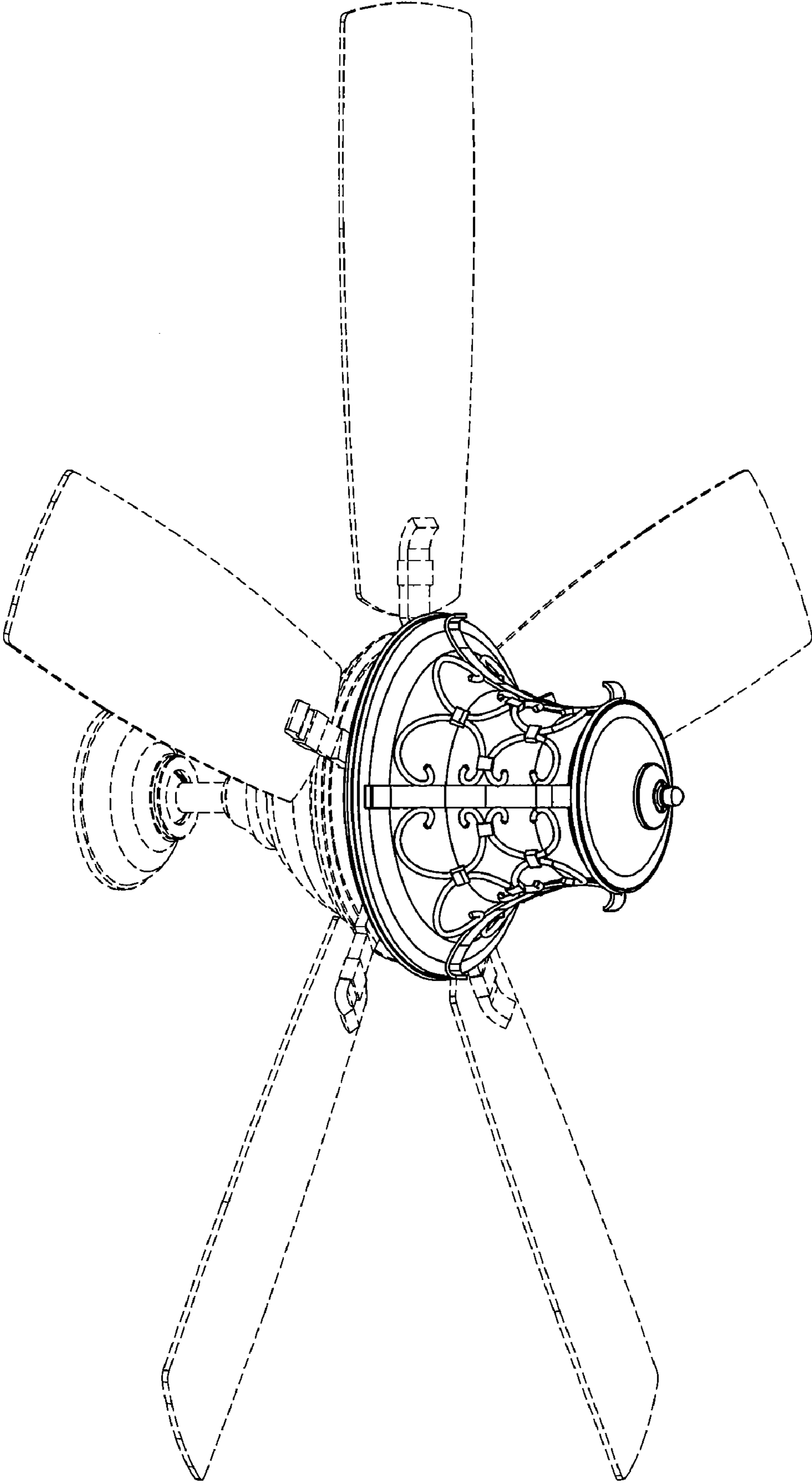


FIG. 1

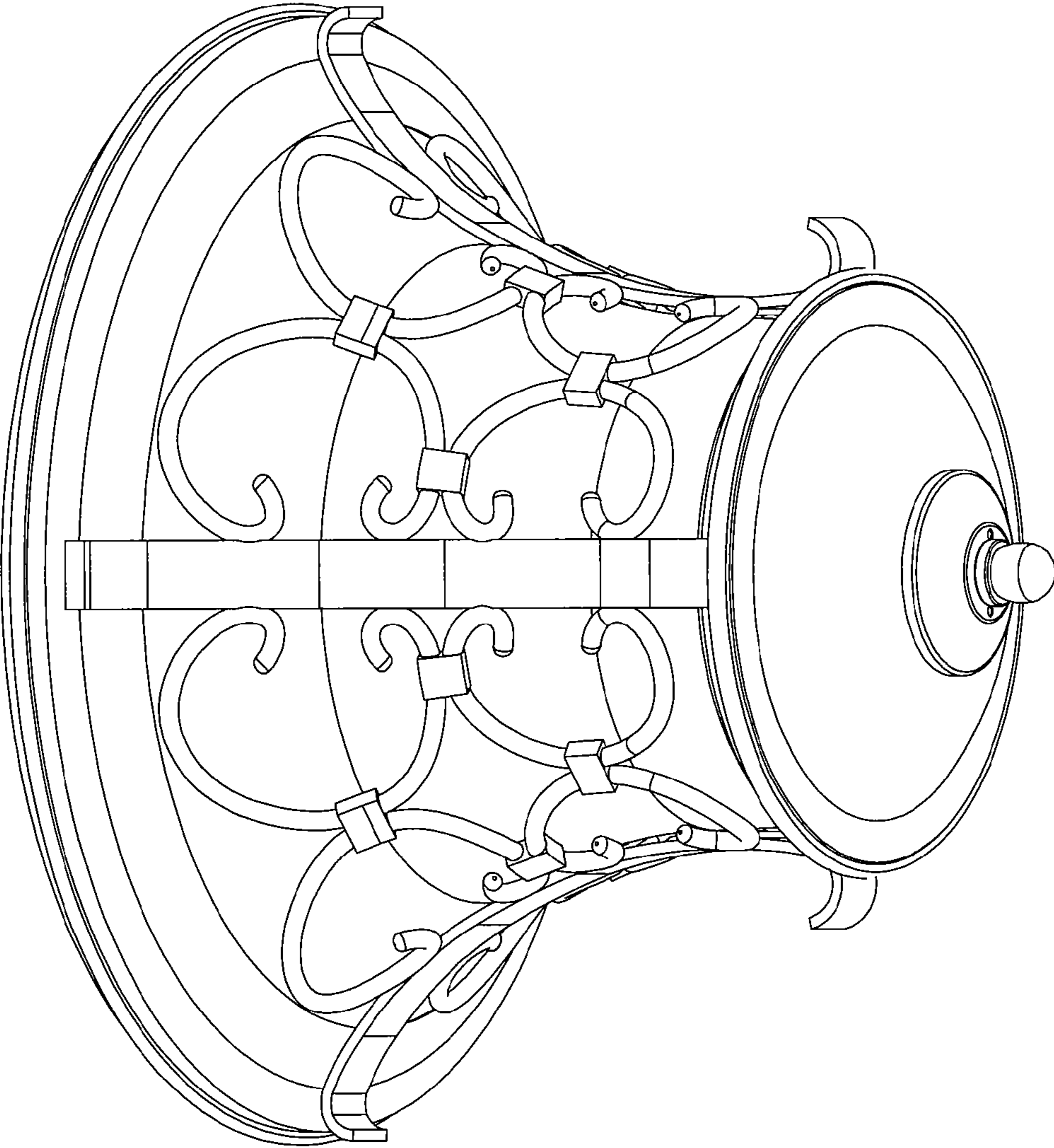


FIG. 2

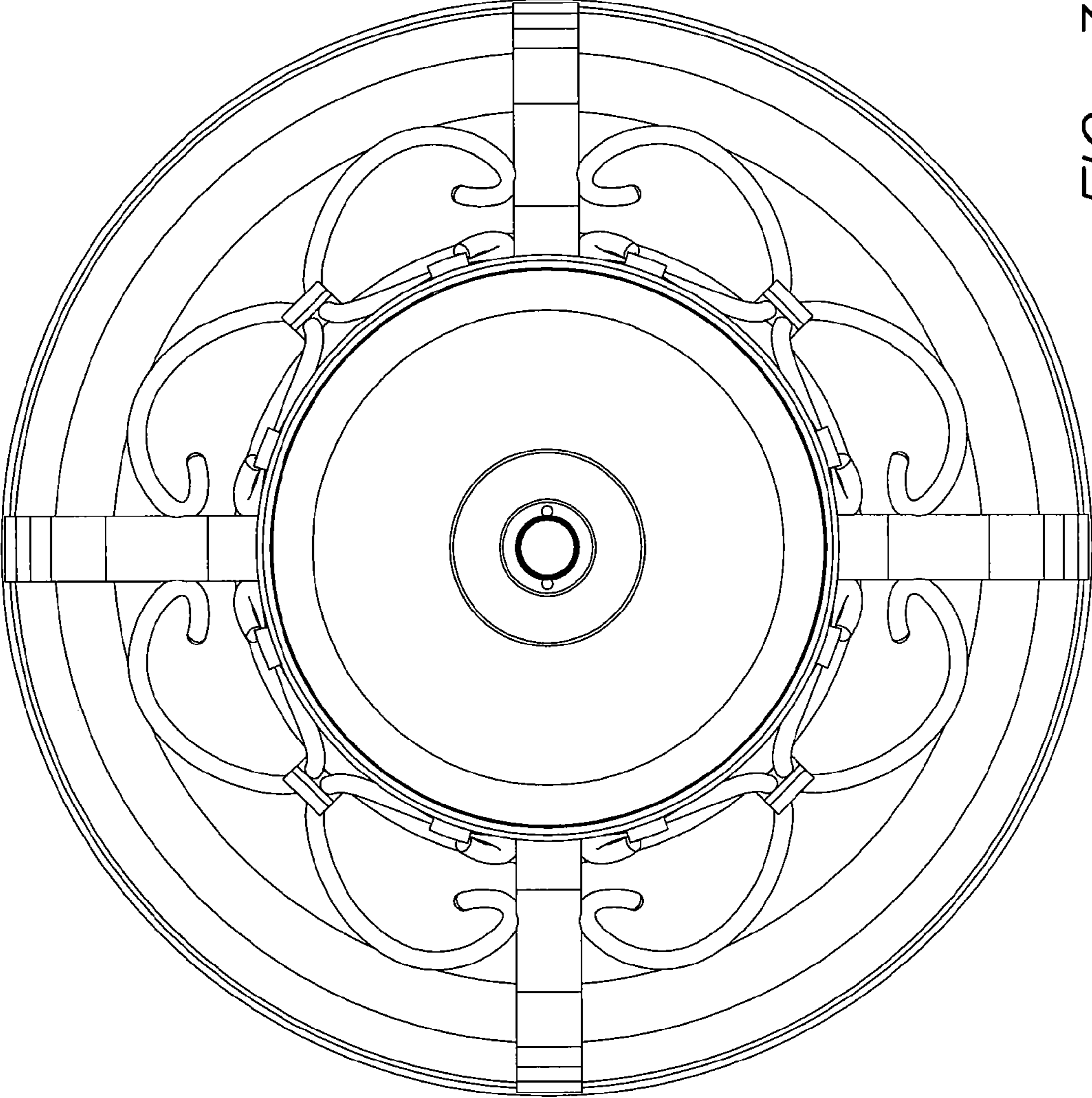


FIG. 3

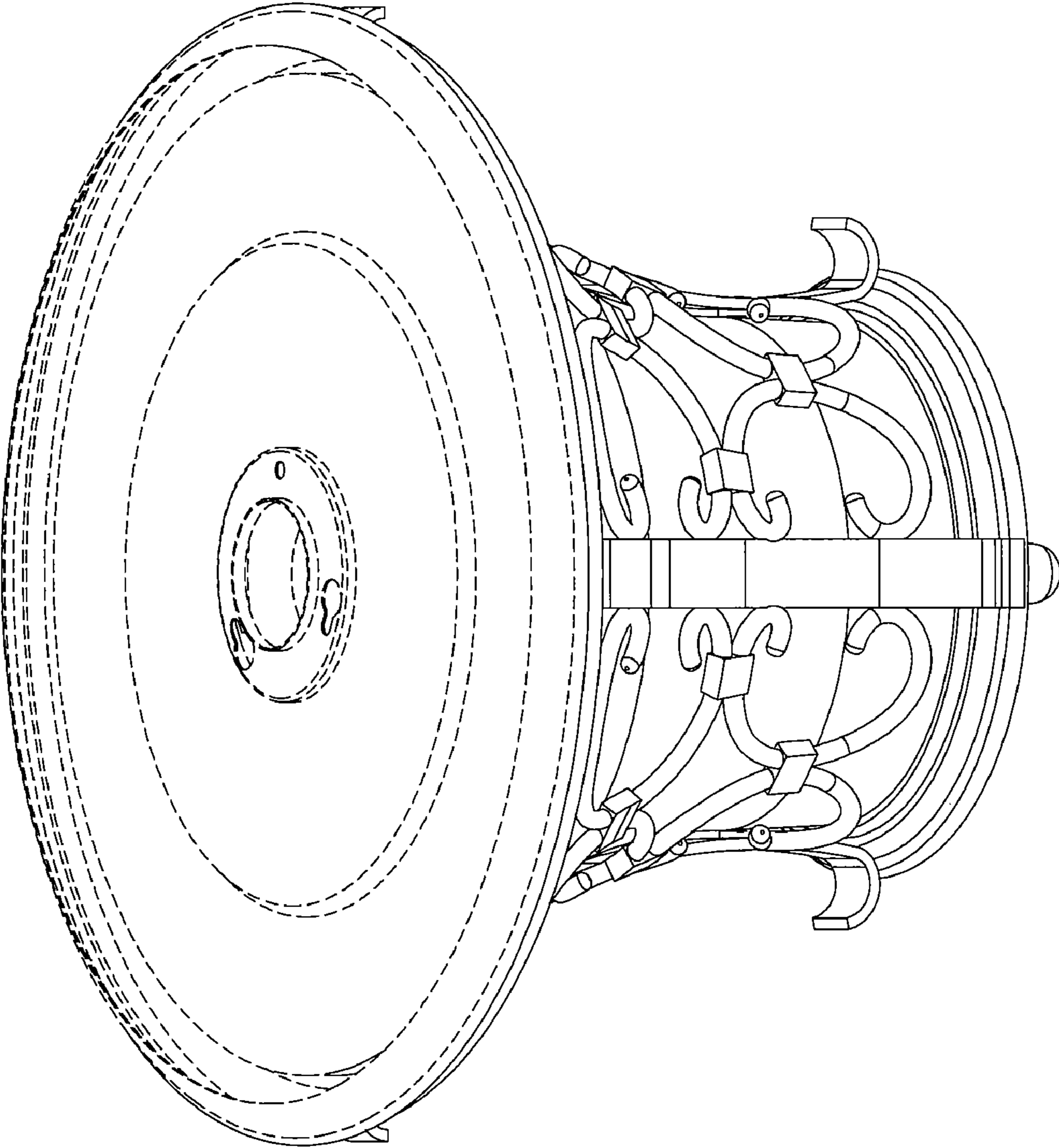


FIG. 4

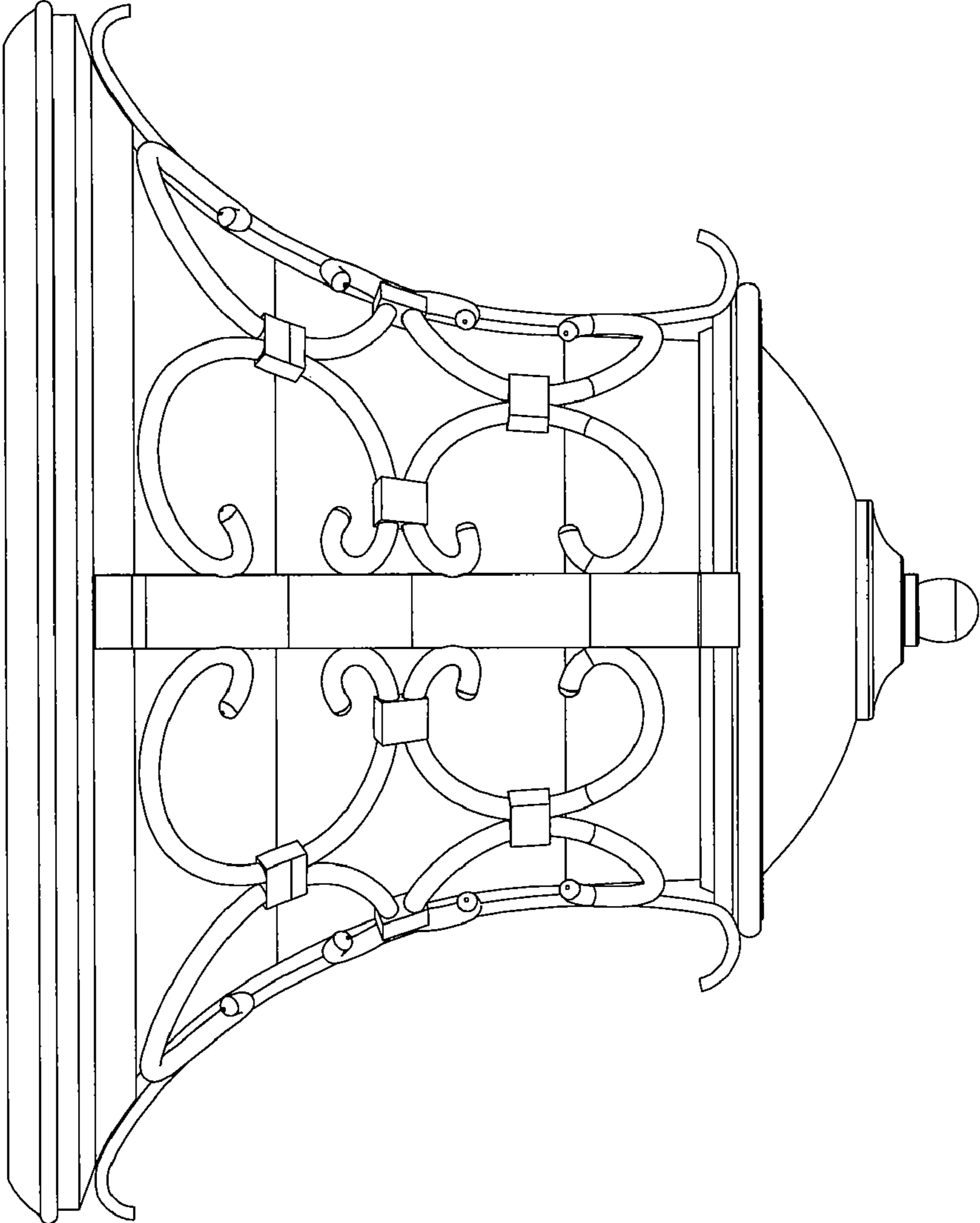


FIG. 5