

US00D599488S

(12) **United States Design Patent**
Christensen et al.

(10) **Patent No.:** **US D599,488 S**

(45) **Date of Patent:** **** Sep. 1, 2009**

(54) **CONTROL BARRIER WITH ROTATABLE LEGS**

(75) Inventors: **Marc E. Christensen**, Salt Lake City, UT (US); **David J. Lipniarski**, North Tonawanda, NY (US)

(73) Assignee: **Off the Wall Products, LLC**, Salt Lake City, UT (US)

(**) Term: **14 Years**

(21) Appl. No.: **29/317,890**

(22) Filed: **May 8, 2008**

(51) **LOC (9) Cl.** **25-02**

(52) **U.S. Cl.** **D25/50**

(58) **Field of Classification Search** D25/50,
D25/38; 256/24, 25

See application file for complete search history.

(56) **References Cited**

U.S. PATENT DOCUMENTS

2,451,875	A	10/1948	Ryder
3,135,235	A	6/1964	Romano
3,583,466	A	6/1971	Dreyer
3,593,681	A	7/1971	Sernovitz
5,031,683	A	7/1991	Marvy et al.
5,054,507	A	10/1991	Sparks
5,402,988	A	4/1995	Eisele
5,419,065	A	5/1995	Lin
5,863,030	A	1/1999	Kotler et al.
5,993,103	A	11/1999	Christensen
6,190,084	B1	2/2001	Ibañez
6,199,833	B1	3/2001	Bilby et al.

6,257,559	B1	7/2001	Mouri	
D457,649	S *	5/2002	Yang D25/50
6,676,113	B2	1/2004	Christensen	
7,036,798	B1 *	5/2006	Olson 256/12.5
2004/0206945	A1 *	10/2004	York et al. 256/24
2006/0231820	A1 *	10/2006	Bilby 256/24

OTHER PUBLICATIONS

Inline Plastic Barricades, www.movitbarricade.net, published at least as early as May 7, 2008.

Traffic Management Products from Oaklands Plastic Ltd., www.oaklandsplastics.com/safety-barriers/traffic-management.asp?Mn=31, published at least as early as May 7, 2008.

* cited by examiner

Primary Examiner—Doris Clark

(74) *Attorney, Agent, or Firm*—Workman Nydegger

(57) **CLAIM**

The ornamental design for a control barrier with rotatable legs, as shown and described.

DESCRIPTION

FIG. 1 is a front perspective view of a control barrier with rotatable legs;

FIG. 2 is rear perspective view thereof;

FIG. 3 is a front elevational view thereof;

FIG. 4 is a rear elevational view thereof;

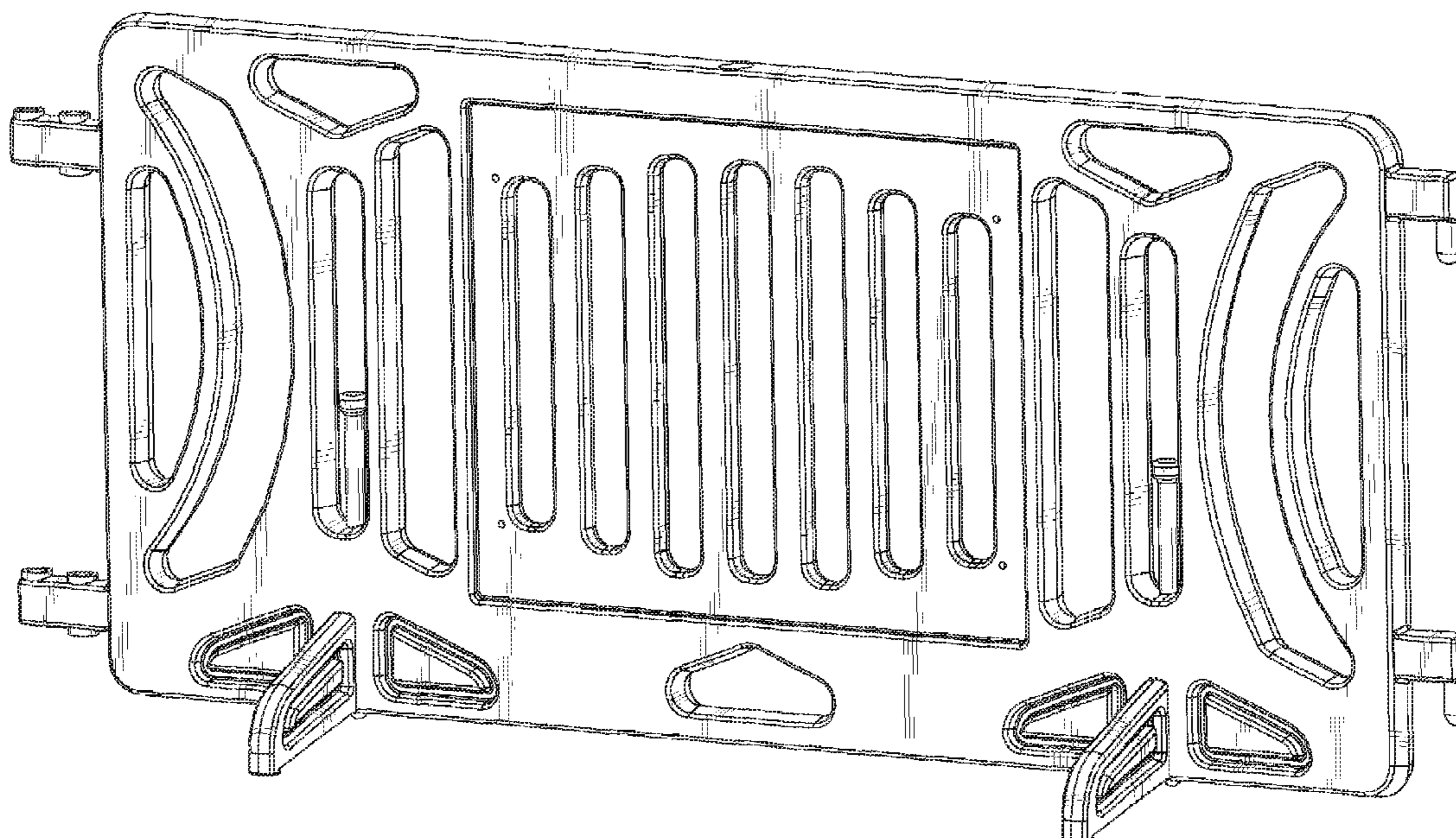
FIG. 5 is a left side elevational view thereof;

FIG. 6 is a right side elevational view thereof;

FIG. 7 is a top plan view thereof; and,

FIG. 8 is a bottom plan view thereof.

1 Claim, 6 Drawing Sheets



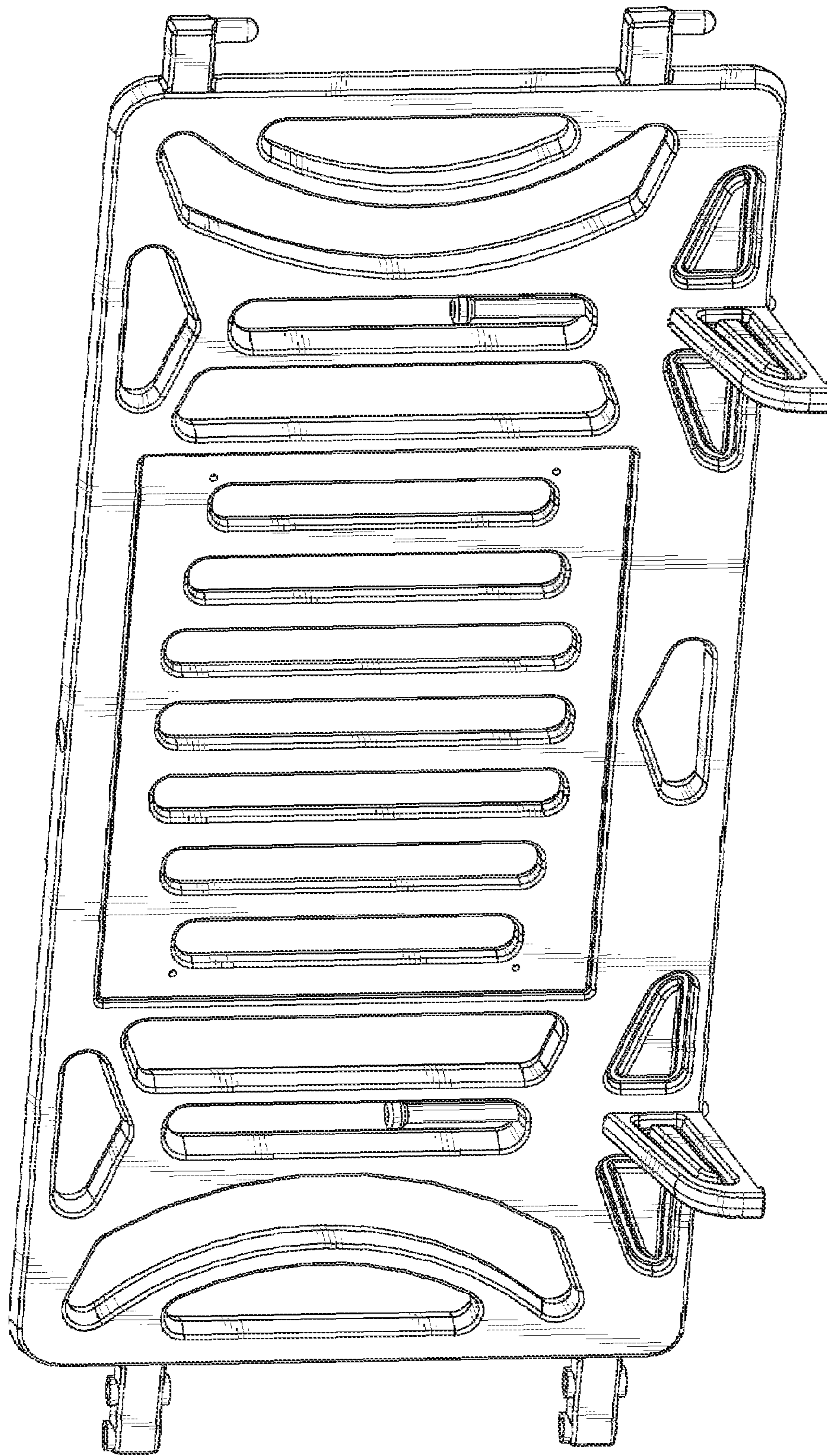


Fig. 1

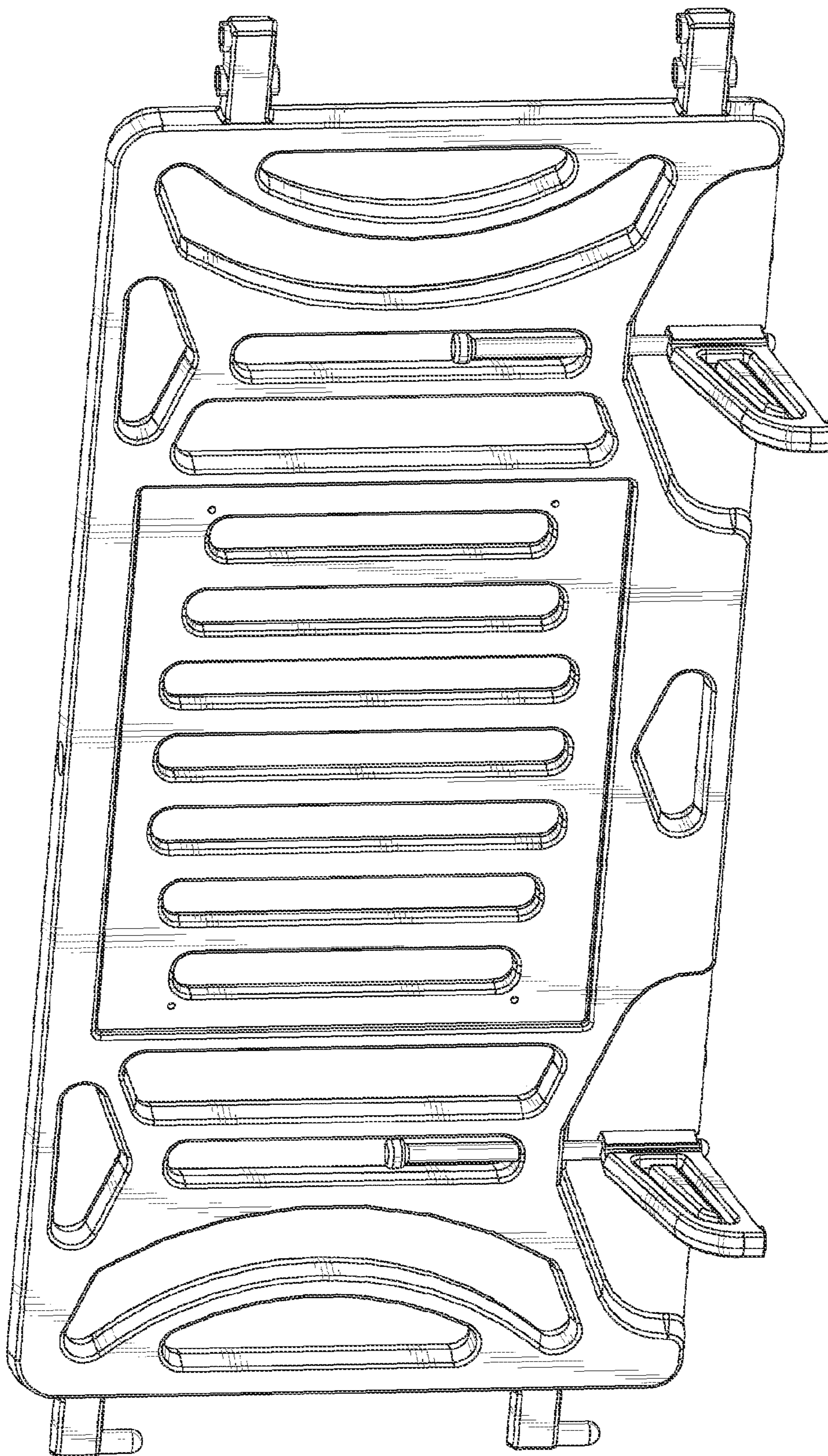


Fig. 2

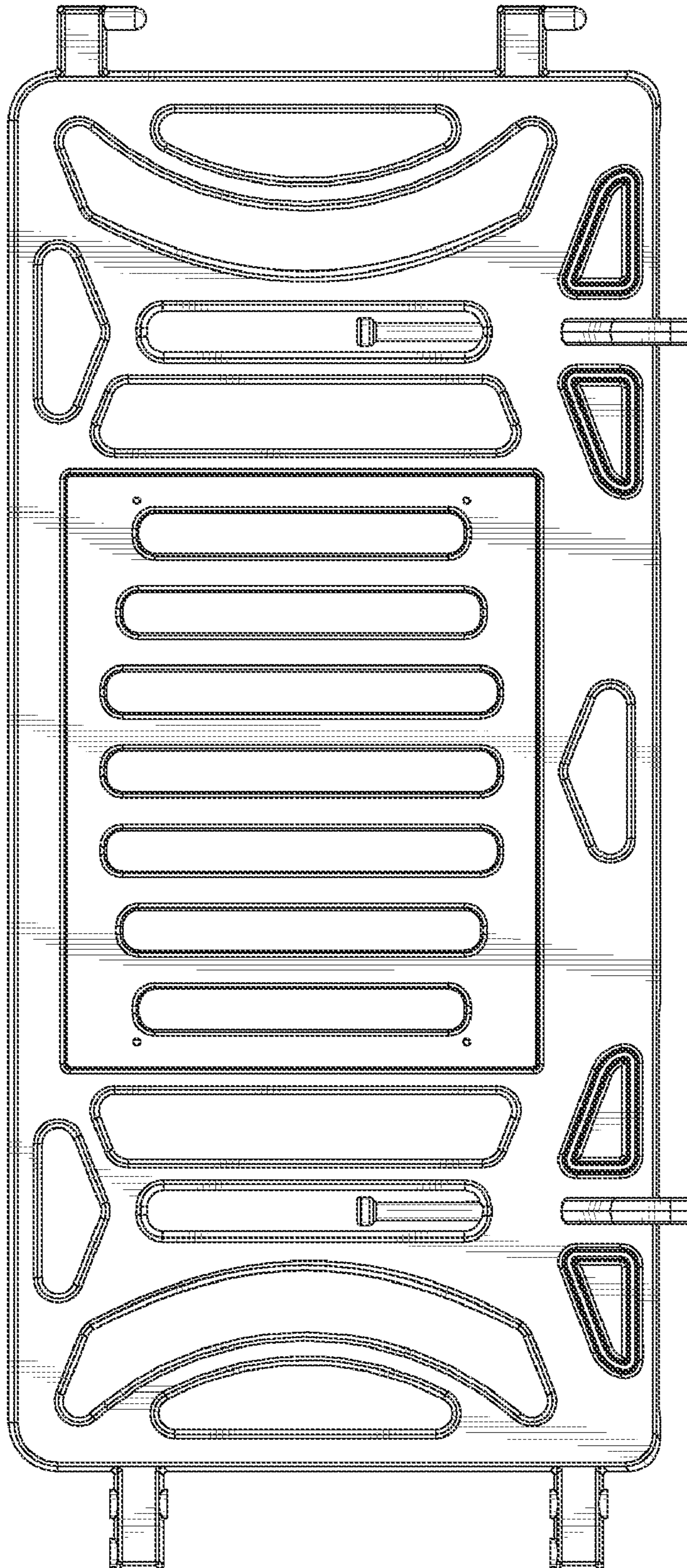


Fig. 3

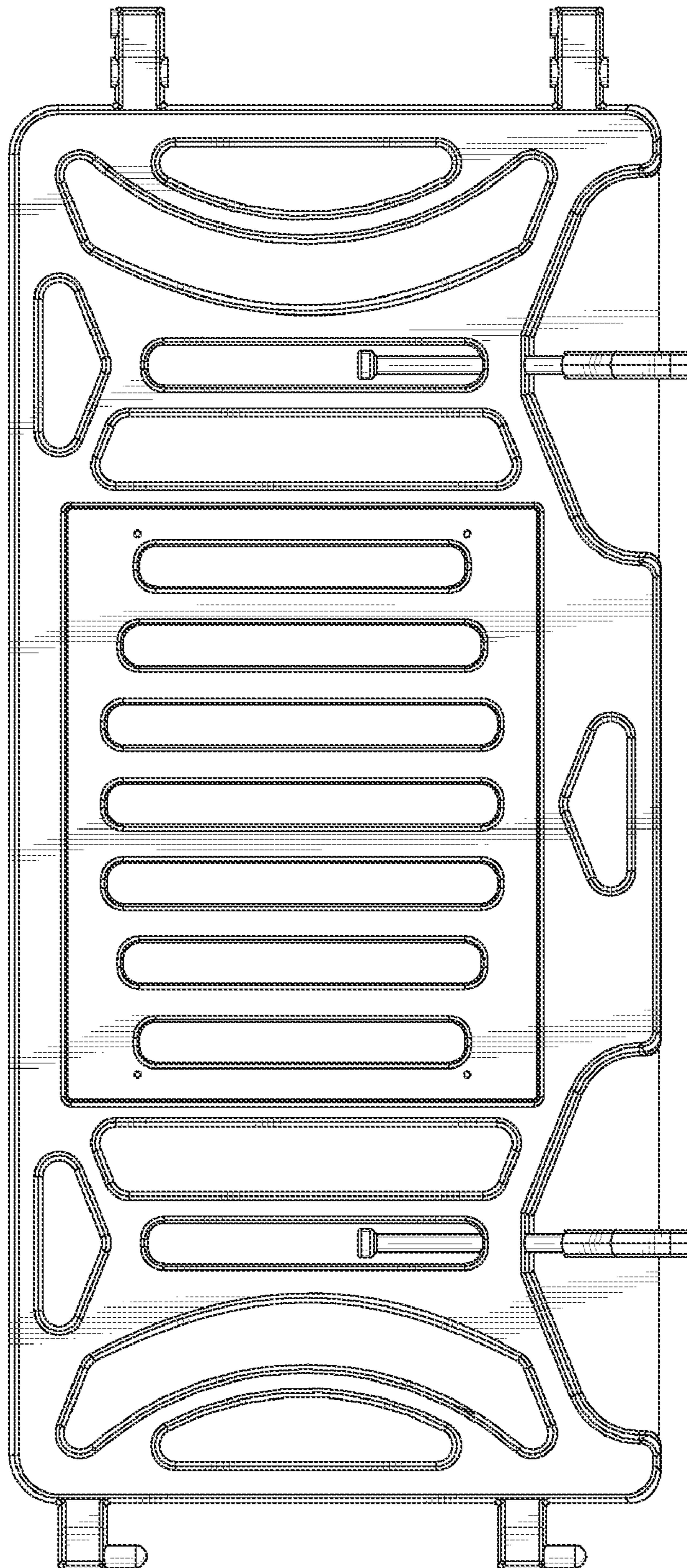


Fig. 4

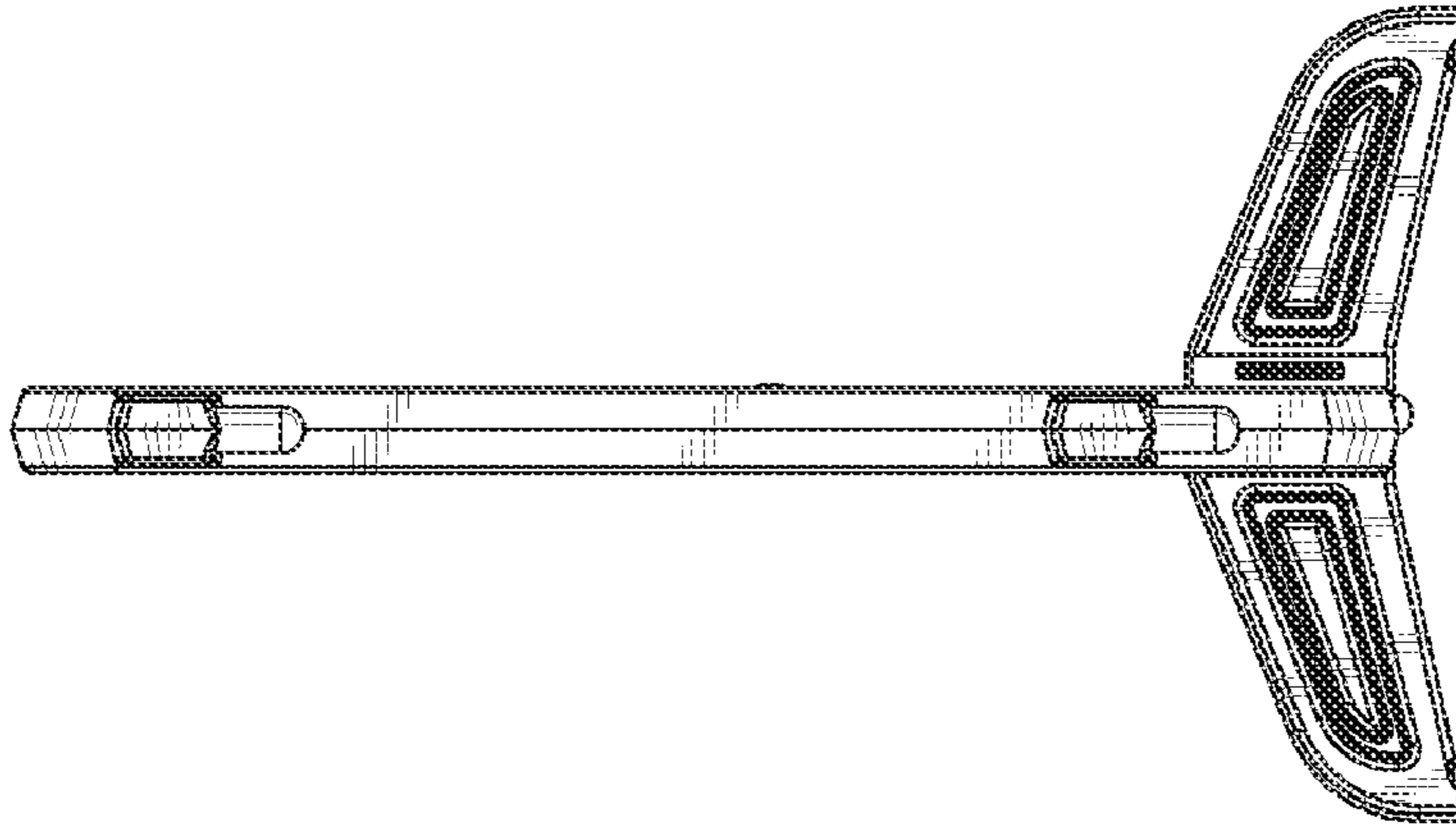


Fig. 6

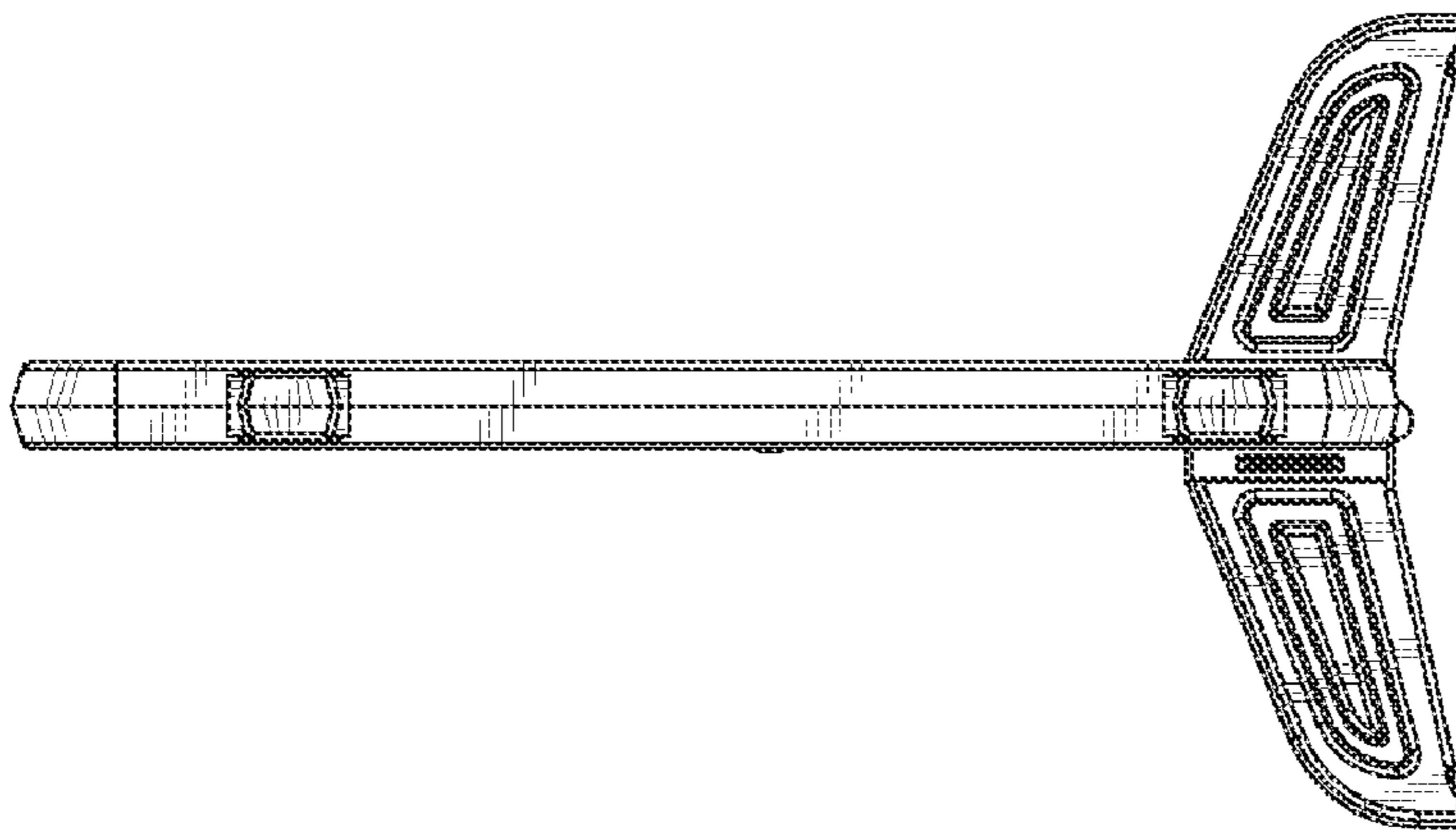


Fig. 5

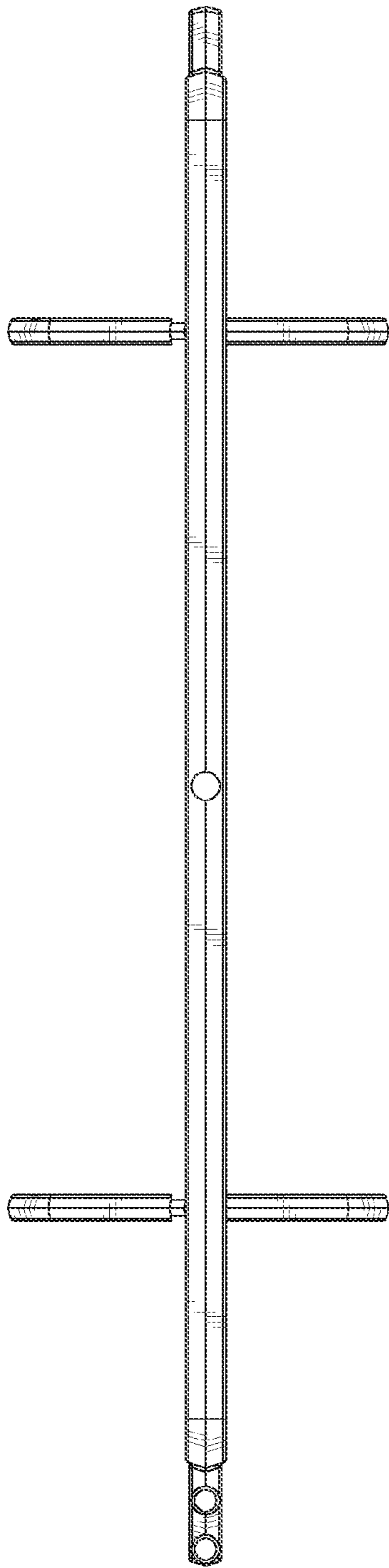


Fig. 7

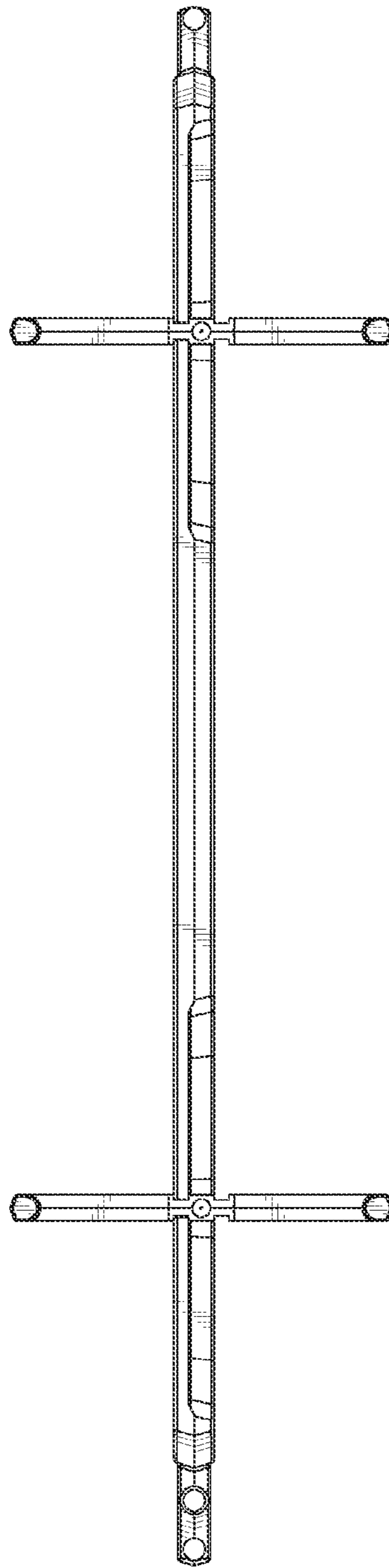


Fig. 8