



US00D599485S

(12) **United States Design Patent**
Burrows et al.

(10) **Patent No.:** **US D599,485 S**

(45) **Date of Patent:** **** Sep. 1, 2009**

(54) **LIGHT THERAPY DEVICE**

2004/0249423 A1* 12/2004 Savage 607/90

(75) Inventors: **David Burrows**, Orem, UT (US); **S. Scott Wheelhouse**, Orem, UT (US); **Cameron Jaccard**, Pleasant Grove, UT (US); **Arthur Lee Dietrich-Croy**, Salt Lake City, UT (US); **Dayne Tanner**, Spokane, WA (US); **Tyler Allan**, Springville, UT (US); **Paul McGroary**, Gibsonia, PA (US); **William Hoos**, Aspinwall, PA (US); **Hugh Dunn**, Pittsburgh, PA (US); **Justin Yang**, Pasadena, CA (US); **Michael Horito**, Provo, UT (US); **Jeffrey Pipe**, Pittsburgh, PA (US)

* cited by examiner

Primary Examiner—Cathron C Brooks
Assistant Examiner—Melanie Levy

(73) Assignee: **RIC Investments, LLC**, Wilmington, DE (US)

(**) Term: **14 Years**

(21) Appl. No.: **29/325,227**

(22) Filed: **Sep. 26, 2008**

(51) **LOC (9) Cl.** **28-03**

(52) **U.S. Cl.** **D24/209**

(58) **Field of Classification Search** D24/200, D24/209, 210; 607/88, 90, 91, 93; 362/19.97, 362/298, 373, 396, 290, 330, 267, 612, 555; D10/2, 5, 15, 23, 24, 26; D26/93, 104, 106, D26/107, 110, 120; D20/10, 42

See application file for complete search history.

(56) **References Cited**

U.S. PATENT DOCUMENTS

D313,431 S * 1/1991 Jaskiel et al. D20/10
D480,480 S * 10/2003 Lomborg et al. D24/209
6,875,225 B1 * 4/2005 Pederson et al. 607/88
D510,627 S * 10/2005 Lomborg et al. D24/209
D545,973 S * 7/2007 Powell et al. D24/209
D556,334 S * 11/2007 Chen et al. D24/209

(57) **CLAIM**

The ornamental design for a light therapy device, as shown and described.

DESCRIPTION

FIG. 1 is a frontal perspective view of an embodiment of a design for a light therapy device;

FIG. 2 is a front view of the light therapy device shown in FIG. 1;

FIG. 3 is a rear view of the light therapy device shown in FIG. 1;

FIG. 4 is a first side view of the light therapy device shown in FIG. 1;

FIG. 5 is a second side view of the light therapy device shown in FIG. 1;

FIG. 6 is a top view of the light therapy device shown in FIG. 1;

FIG. 7 is a bottom view of the light therapy device shown in FIG. 1;

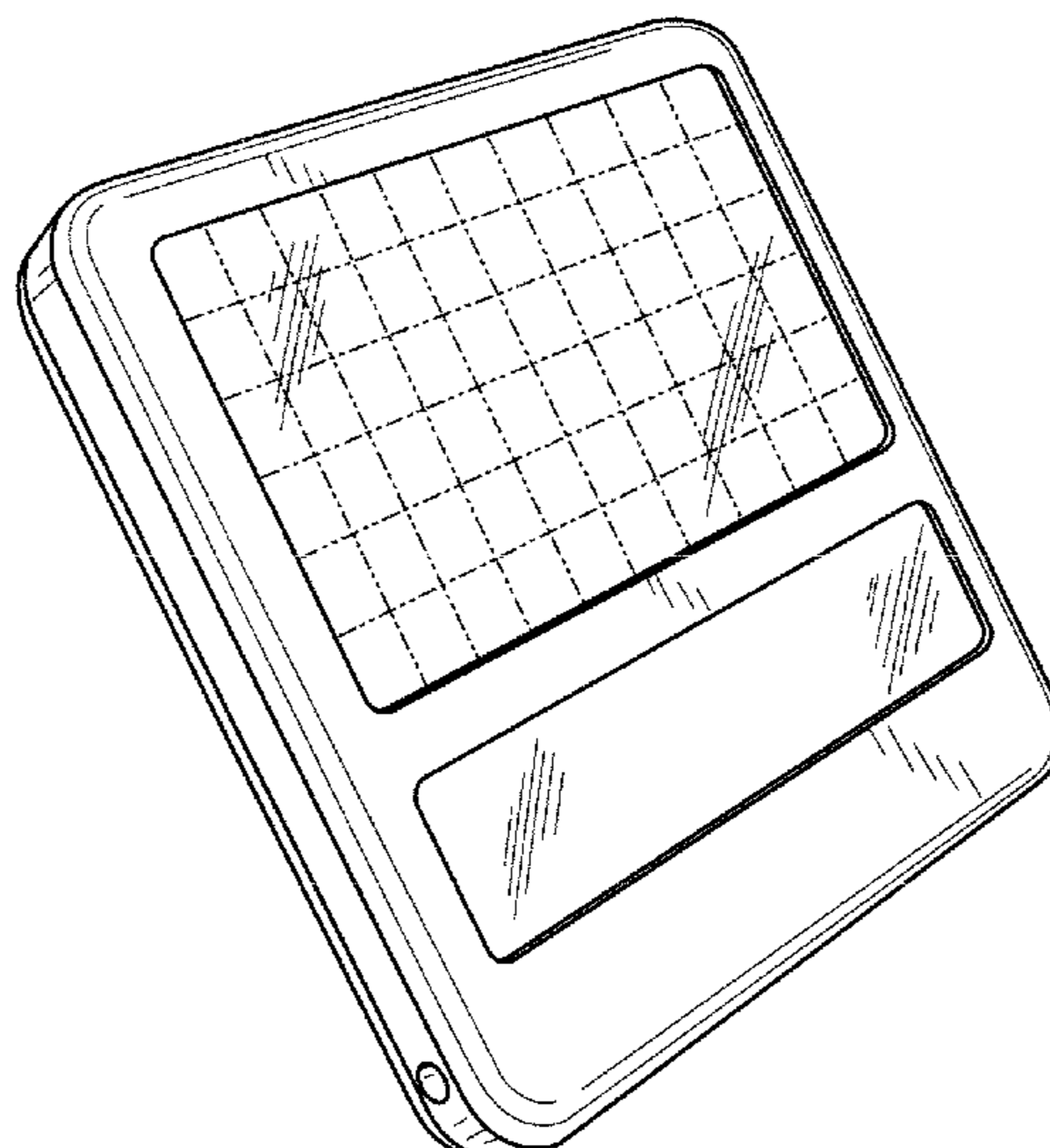
FIG. 8 is a rear view of the light therapy apparatus shown in FIG. 1 with an embodiment of a design for a support post within a receptacle a back side of the light therapy apparatus;

FIG. 9 is a side view of the light therapy apparatus of FIG. 1 supported by the support shown in FIG. 8; and,

FIG. 10 is a rear perspective view of the light therapy device shown in FIG. 1, supported by the support shown in FIG. 8.

The broken lines shown in the drawings represent unclaimed structure behind the panel and form no part of the claimed design.

1 Claim, 4 Drawing Sheets



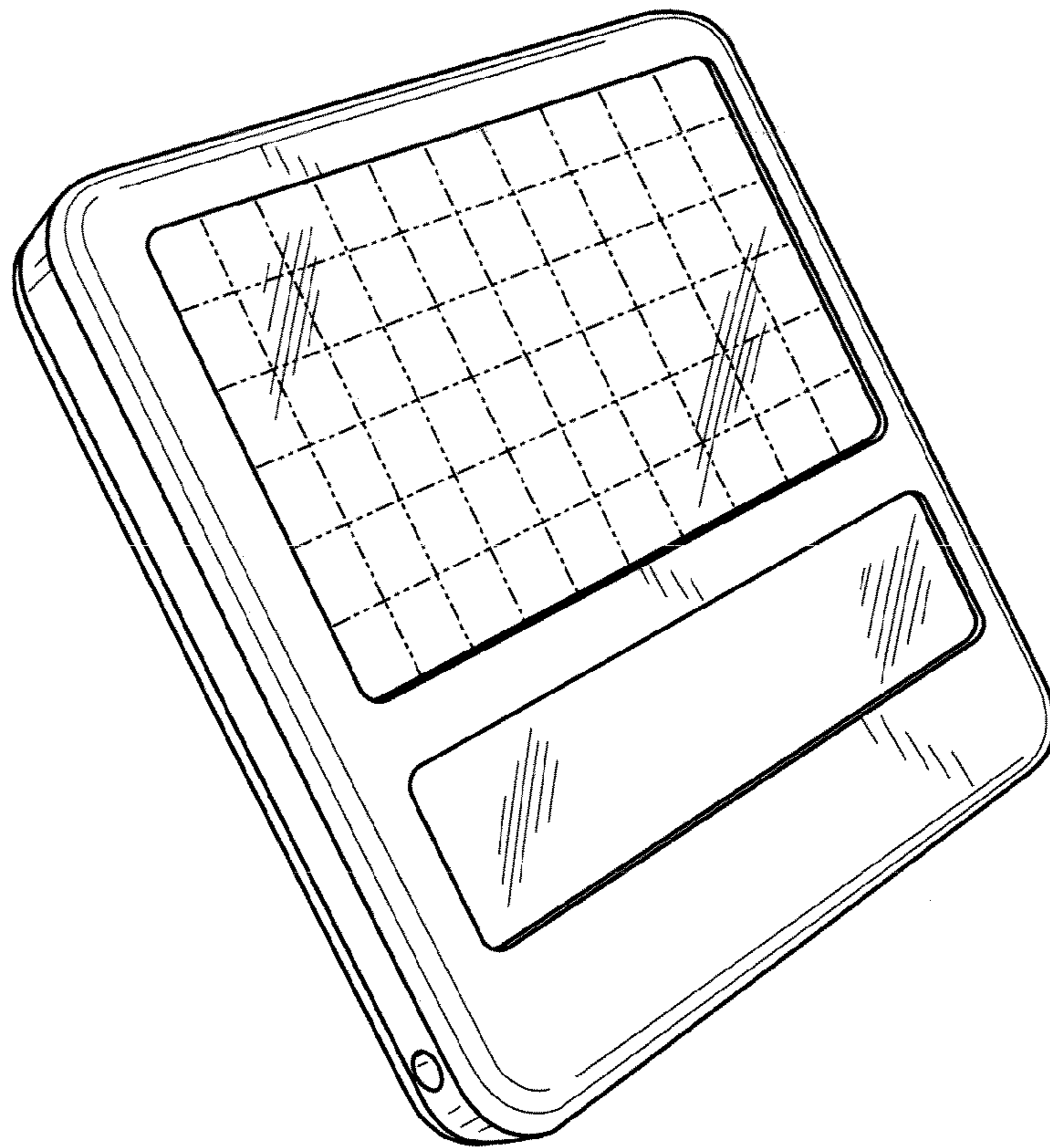


FIG. 1

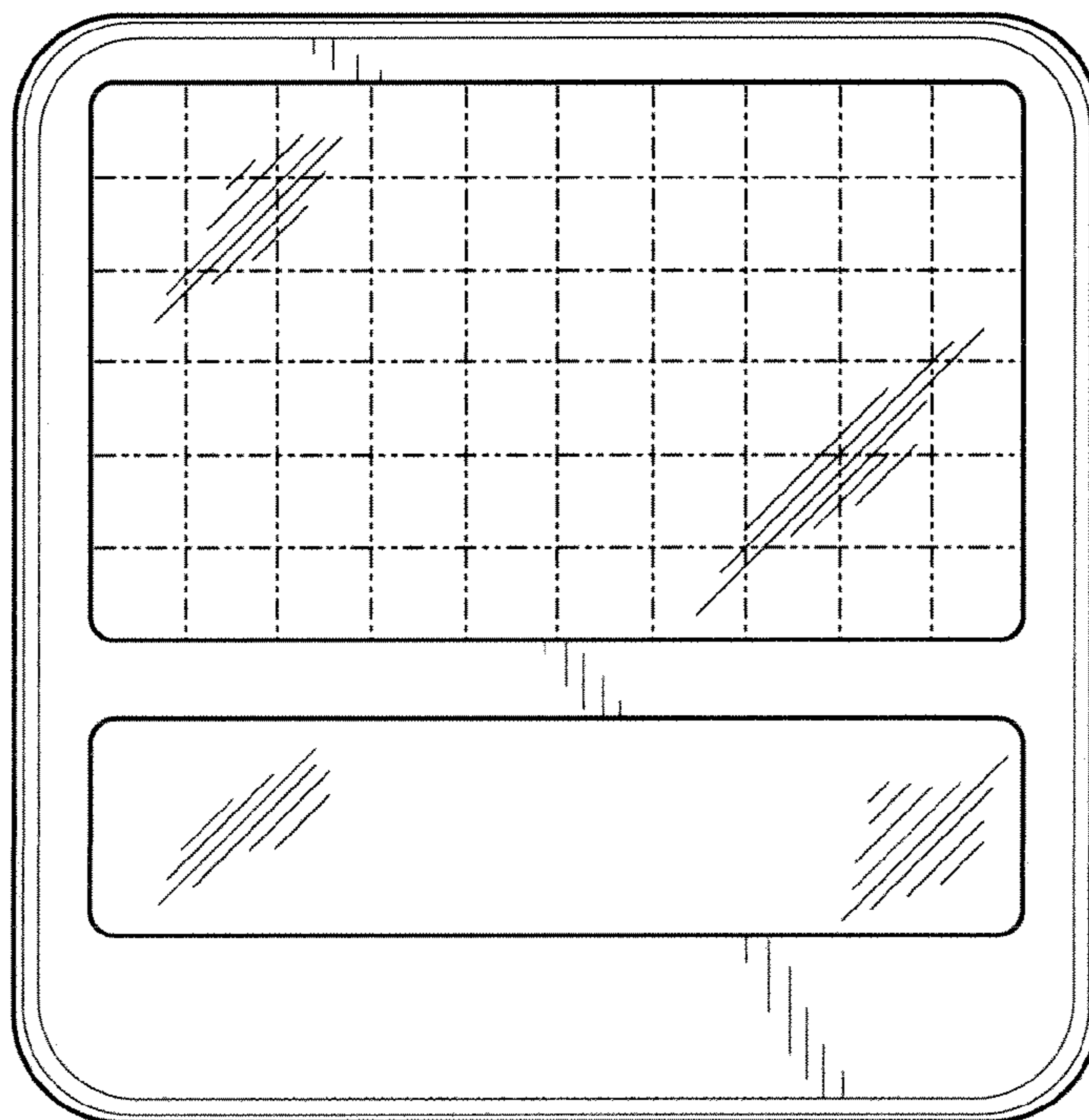


FIG. 2

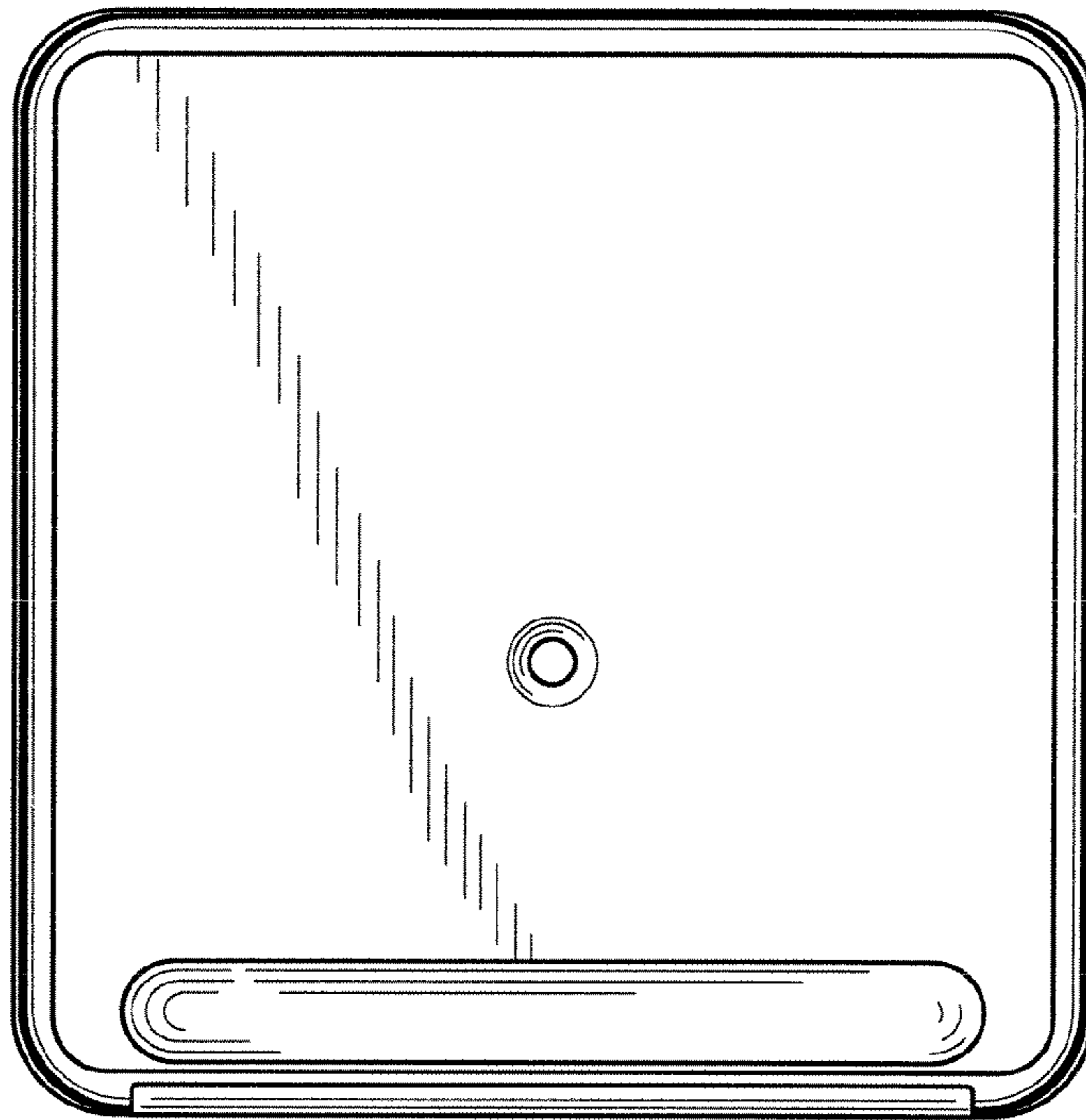


FIG. 3

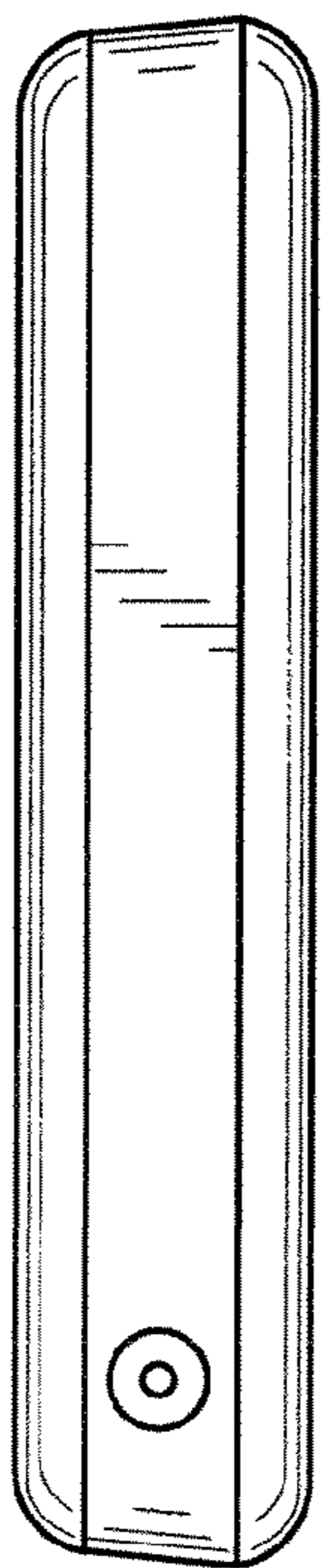


FIG. 4

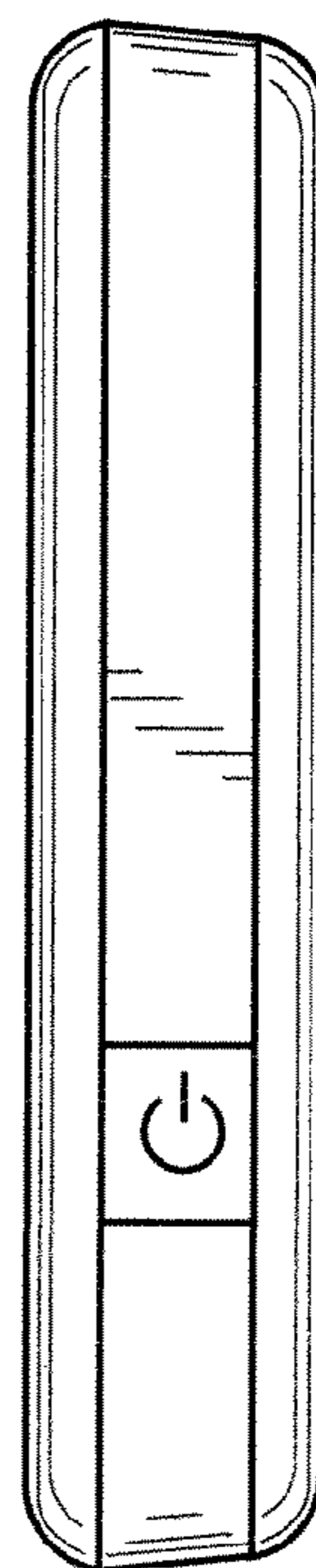


FIG. 5

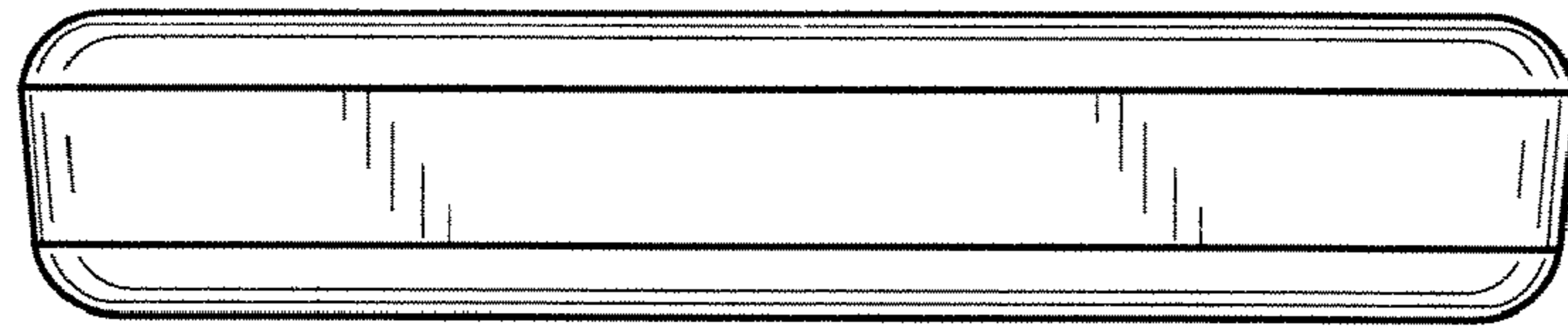


FIG. 6

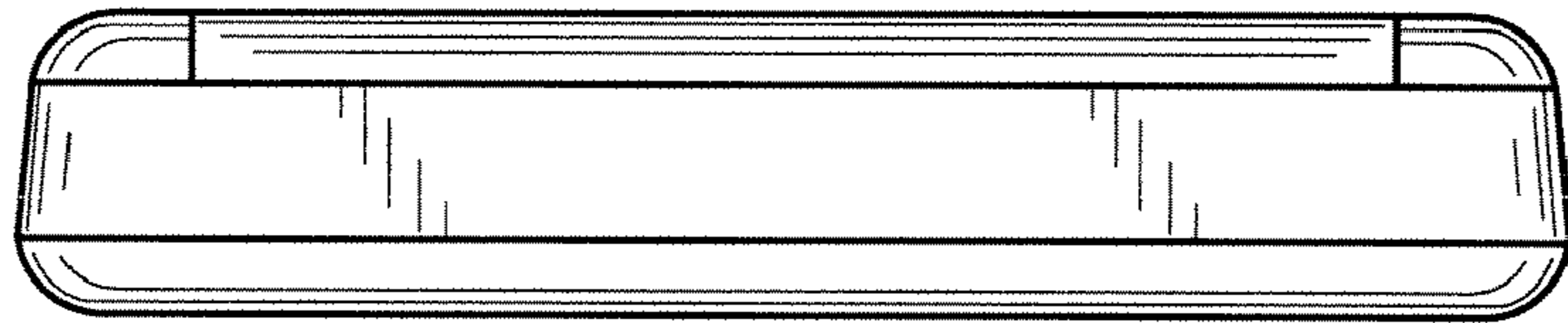


FIG. 7

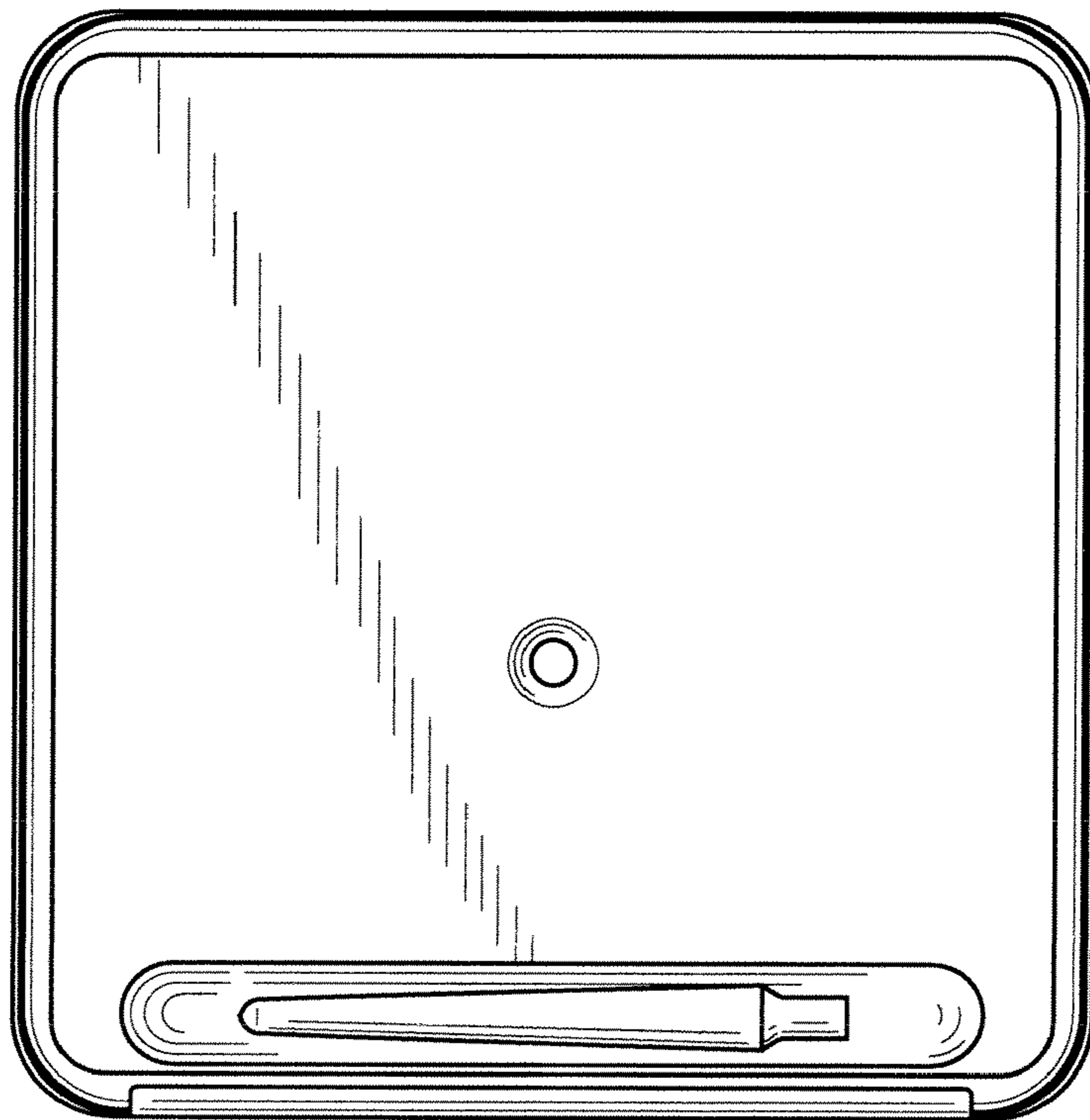


FIG. 8

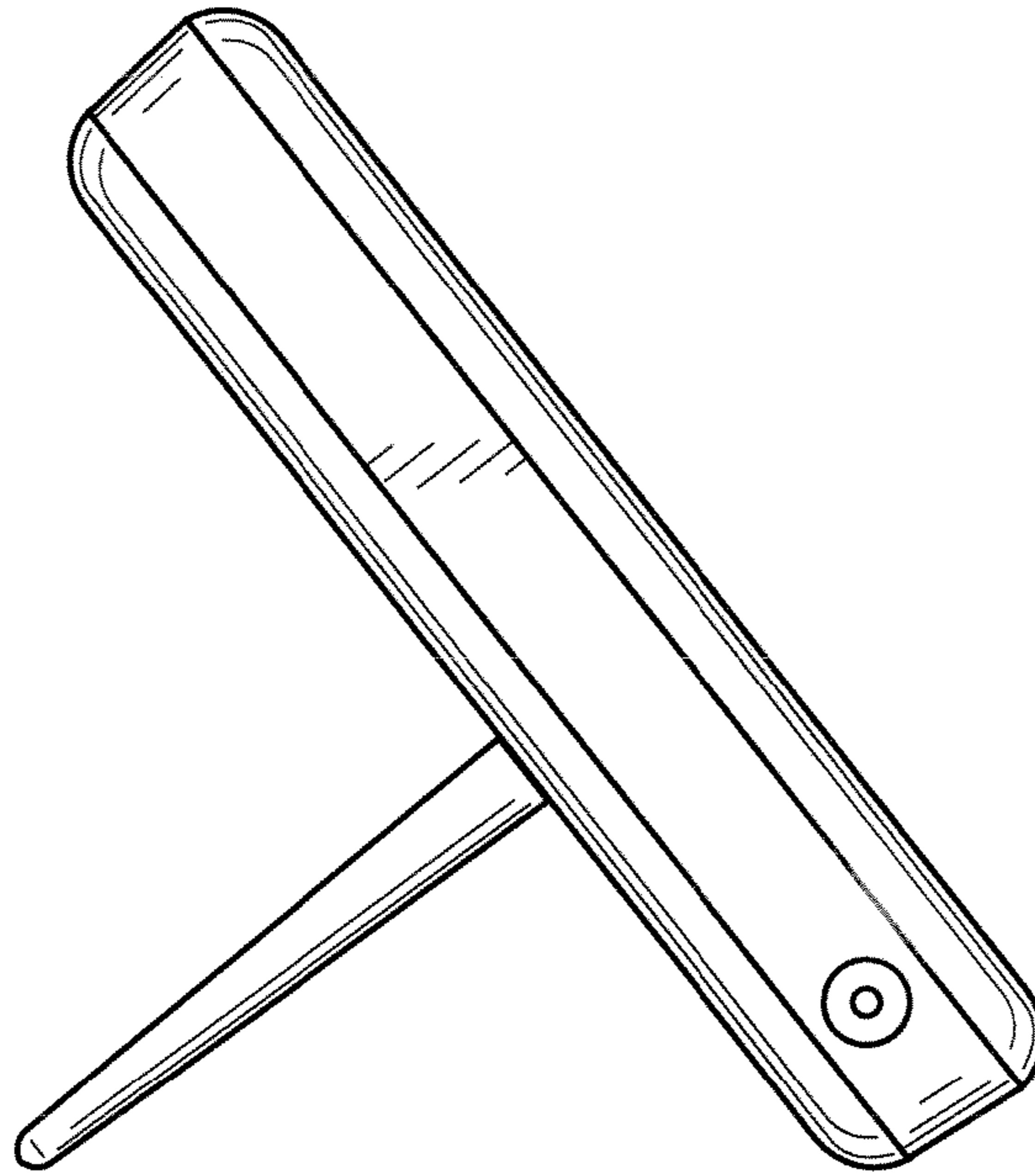


FIG. 9

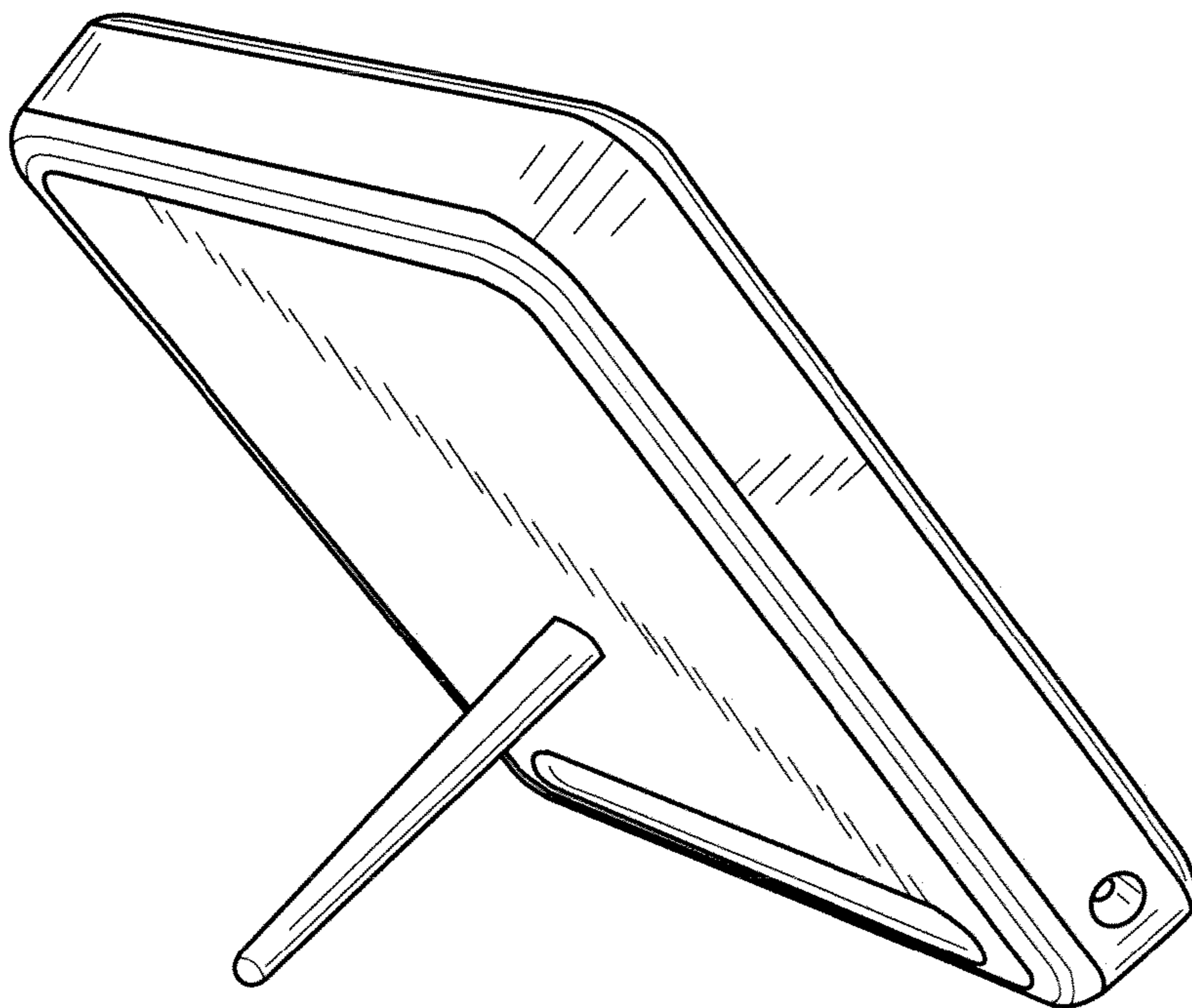


FIG. 10