



US00D599483S

(12) **United States Design Patent**  
**Rosene et al.**

(10) **Patent No.:** **US D599,483 S**  
(45) **Date of Patent:** **\*\* Sep. 1, 2009**

(54) **SPA COVER**

(76) Inventors: **Richard C. Rosene**, 40034 Gibraltar Dr.,  
Murrieta, CA (US) 92562; **David J.**  
**Bartoli**, 24528 Via Primero, Murrieta,  
CA (US) 92562-3944

(\*\*) Term: **14 Years**

(21) Appl. No.: **29/312,549**

(22) Filed: **Oct. 28, 2008**

(51) **LOC (9) Cl.** ..... **24-01**  
(52) **U.S. Cl.** ..... **D24/205**  
(58) **Field of Classification Search** ..... D24/201,  
D24/203-205; D25/2; D13/101-102; 4/498,  
4/988, 493, 488, 580, 588, 503-504, 496-497,  
4/506, 513; 126/566

See application file for complete search history.

(56) **References Cited**

**U.S. PATENT DOCUMENTS**

2,958,872	A *	11/1960	Meyer, Jr. ....	4/503
3,872,522	A *	3/1975	Bennett et al. ....	4/498
3,949,095	A *	4/1976	Pelehach et al. ....	126/565
4,033,326	A	7/1977	Leitner	
4,146,015	A	3/1979	Acker	
4,284,060	A *	8/1981	McCluskey ....	126/565
4,366,806	A	1/1983	Acker	
5,259,078	A *	11/1993	Crandall ....	4/503
5,546,615	A *	8/1996	Chamness ....	4/503
6,286,157	B1 *	9/2001	Baumann ....	4/503
6,640,353	B1 *	11/2003	Williams ....	4/493
6,832,395	B1 *	12/2004	Jeffcoat ....	4/498

D569,527	S	5/2008	Rosene	
D579,570	S	10/2008	Rosene	
2006/0283443	A1 *	12/2006	Rosene et al. ....	126/565
2007/0199142	A1 *	8/2007	Gray ....	4/498
2007/0271692	A1 *	11/2007	Herd et al. ....	4/499
2009/0056008	A1 *	3/2009	Rosene et al. ....	4/498

**OTHER PUBLICATIONS**

U.S. Appl. No. 11/507,918, Rosene.  
U.S. Appl. No. 29/308,237, Rosene.  
U.S. Appl. No. 11/400,268, Rosene.  
U.S. Appl. No. 12/190,295, Rosene.

\* cited by examiner

*Primary Examiner*—Ian Simmons  
*Assistant Examiner*—Wan Laymon  
(74) *Attorney, Agent, or Firm*—Palomar Patent; Calif Tervo

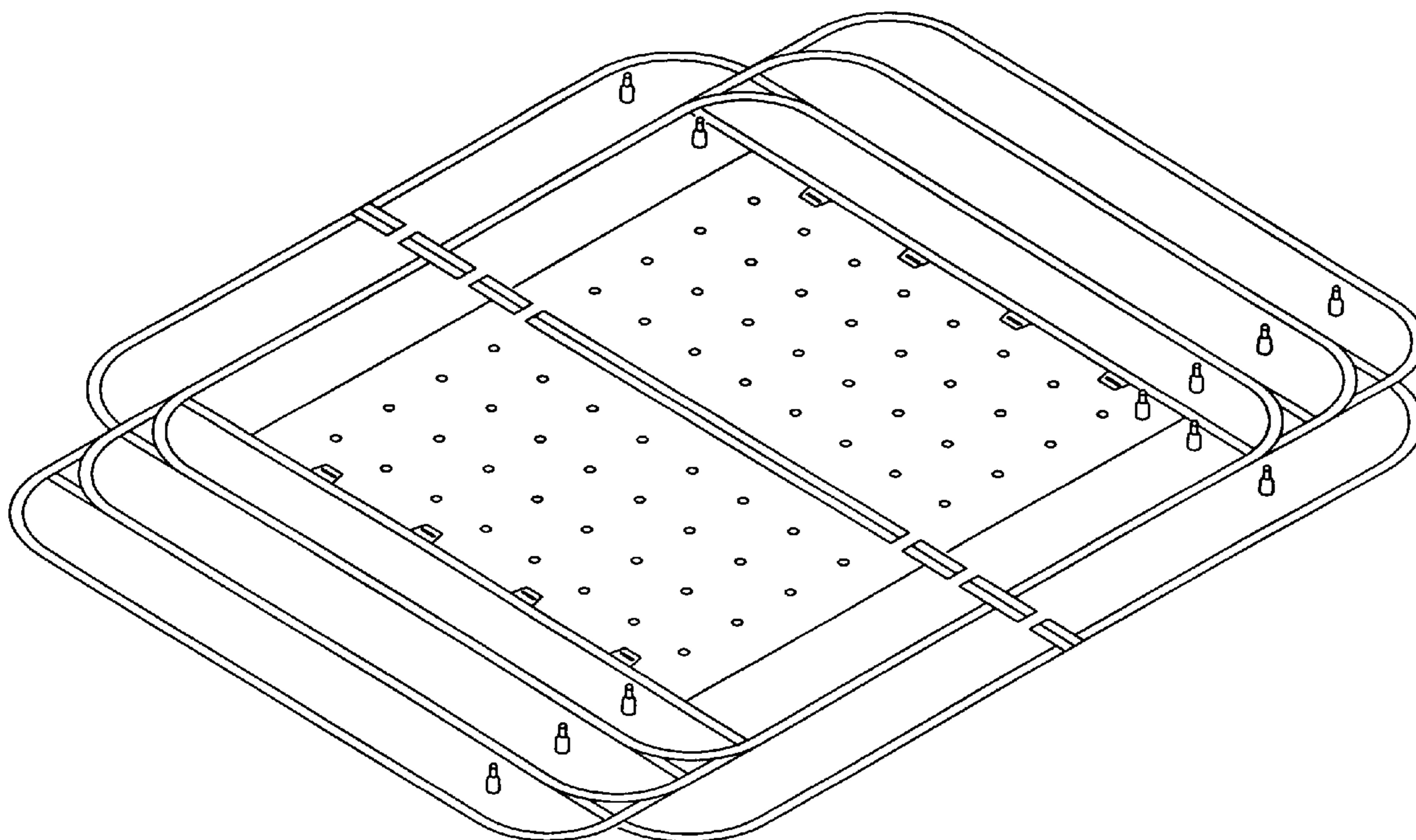
(57) **CLAIM**

The ornamental design for an spa cover, as shown and described.

**DESCRIPTION**

FIG. 1 is a top perspective view of an spa cover showing my new design;  
FIG. 2 is a top plan view thereof;  
FIG. 3 is a left elevation view thereof; the right elevation view being a mirror image;  
FIG. 4 is a front elevation view thereof; rear elevation view being a mirror image; and,  
FIG. 5 is a bottom plan view thereof.

**1 Claim, 2 Drawing Sheets**



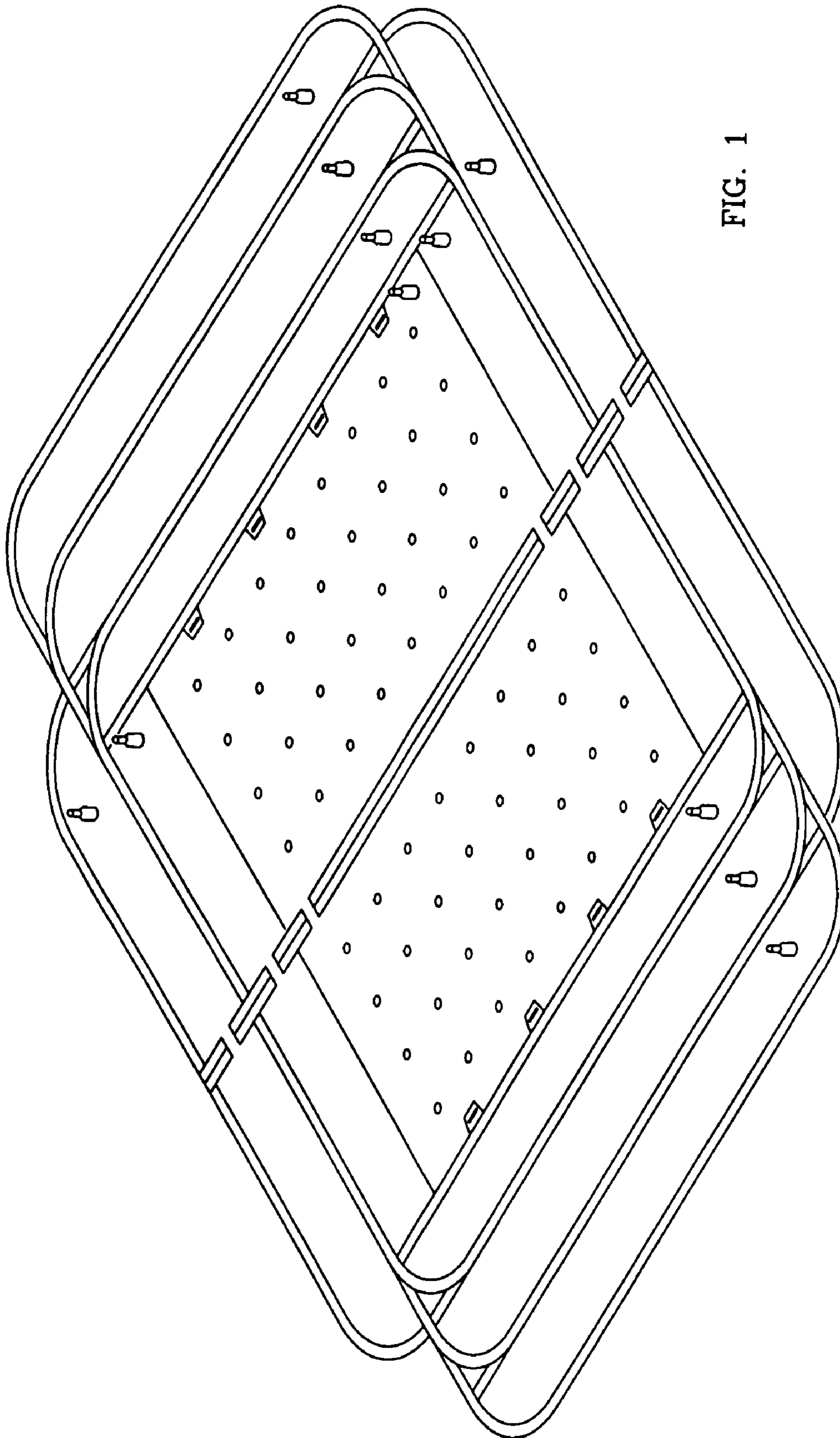


FIG. 1

FIG. 2

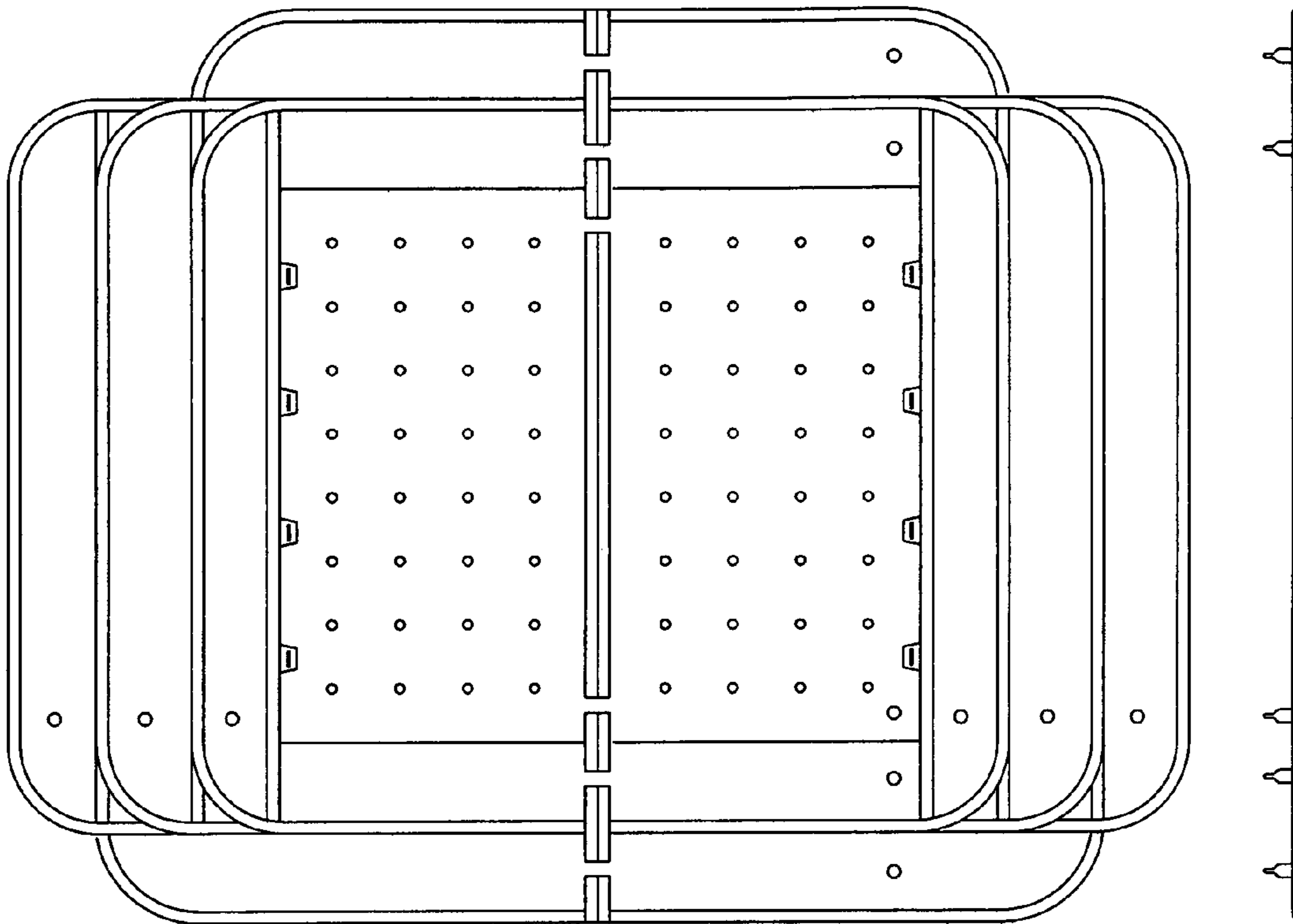


FIG. 3

FIG. 4

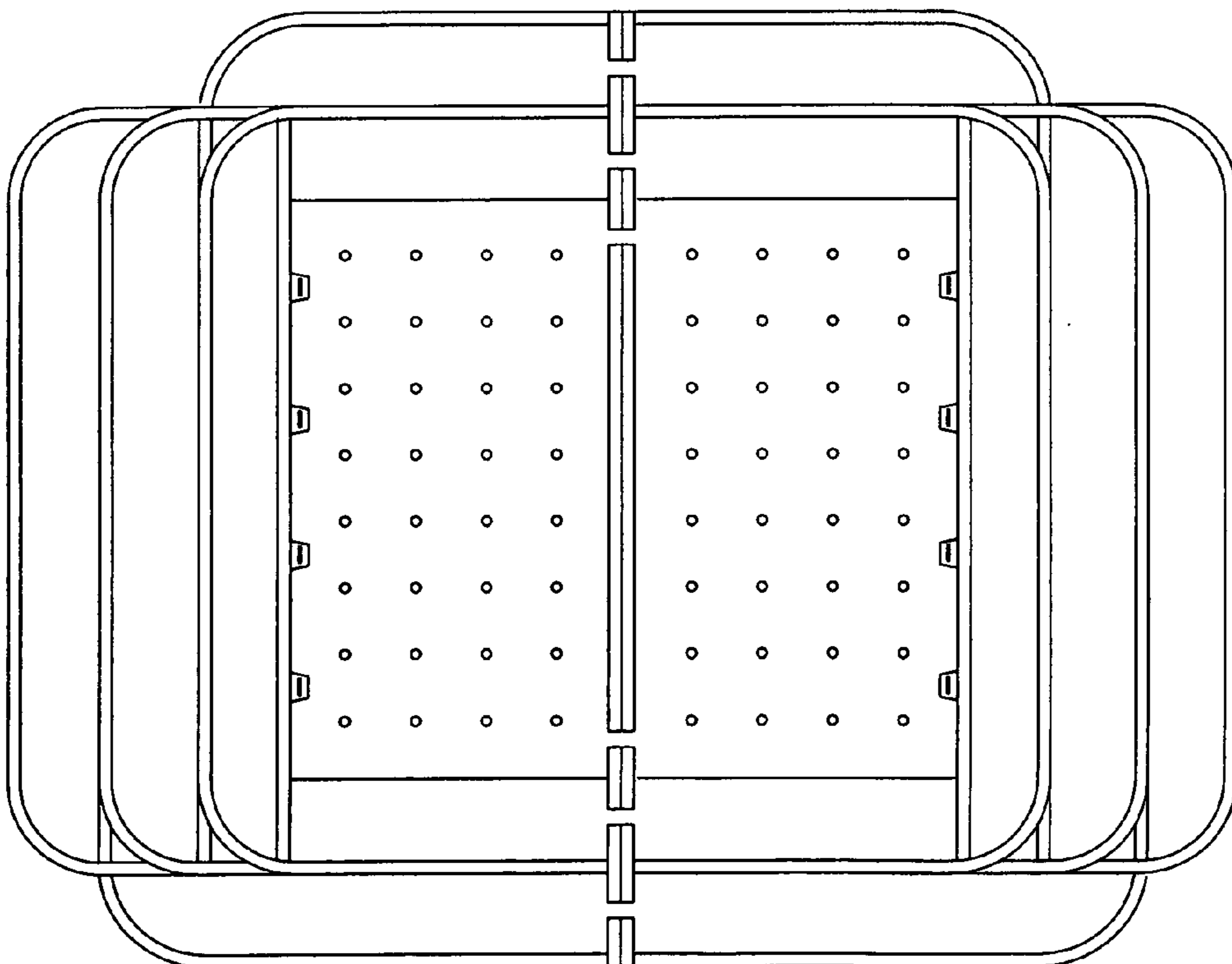


FIG. 5