



US00D599482S

(12) **United States Design Patent**
Drummond

(10) **Patent No.:** **US D599,482 S**
(45) **Date of Patent:** **** Sep. 1, 2009**

(54) **BABY BOTTLE WITH PROTECTIVE LID**

(75) Inventor: **Franklin Drummond**, Nashville, TN (US)

(73) Assignee: **Mimijumi, LLC**, Nashville, TN (US)

(**) Term: **14 Years**

(21) Appl. No.: **29/322,668**

(22) Filed: **Aug. 8, 2008**

(51) **LOC (9) Cl.** **07-01**

(52) **U.S. Cl.** **D24/197**

(58) **Field of Classification Search** D24/115, D24/117, 193-199; D3/22, 202, 215, 226, D3/229-230; D9/452, 454, 500-504, 520, D9/526, 529, 530, 538-539, 542-543, 552-553, D9/563, 571, 724; D7/511, 533, 607, 619.1, D7/624.2-624.3; 215/6, 11.1-11.6, 12.1, 215/13.1, 216, 255, 256, 321, 349, 378, 387, 215/398, 400, 902, DIG. 8; 446/73, 81, 175; 248/102, 363; 294/64.1, 106; 220/739, 902-903, 220/DIG. 27; 222/153.14, 158, 209, 213, 222/420, 455, 457, 562-563; 606/236; 604/295
See application file for complete search history.

(56) **References Cited**

U.S. PATENT DOCUMENTS

1,531,101 A * 3/1925 Isaac 215/11.5

(Continued)

Primary Examiner—Philip S Hyder

Assistant Examiner—Susan E Krakower

(74) *Attorney, Agent, or Firm*—Fope Baldauff Hartman, LLC

(57) **CLAIM**

The ornamental design for a baby bottle with protective lid, as shown and described.

DESCRIPTION

FIG. 1 is a perspective view of a baby bottle with a protective lid according to a first embodiment;

FIG. 2 is a front view of the baby bottle with the protective lid according to the first embodiment;

FIG. 3 is a rear view of the baby bottle with the protective lid according to the first embodiment;

FIG. 4 is a right side view of the baby bottle with the protective lid according to the first embodiment;

FIG. 5 is a left side view of the baby bottle with the protective lid according to the first embodiment;

FIG. 6 is a top view of the baby bottle with the protective lid according to the first embodiment;

FIG. 7 is a bottom view of the baby bottle with the protective lid according to the first embodiment;

FIG. 8 is an exploded view of the baby bottle with the protective lid according to the first embodiment showing the protective lid removed from the baby bottle;

FIG. 9 is a perspective view of a baby bottle with a protective lid according to a second embodiment illustrating a baby bottle with a protective lid having an internal volume that varies from that of the first embodiment;

FIG. 10 is a front view of the baby bottle with the protective lid according to the second embodiment;

FIG. 11 is a rear view of the baby bottle with the protective lid according to the second embodiment;

FIG. 12 is a right side view of the baby bottle with the protective lid according to the second embodiment;

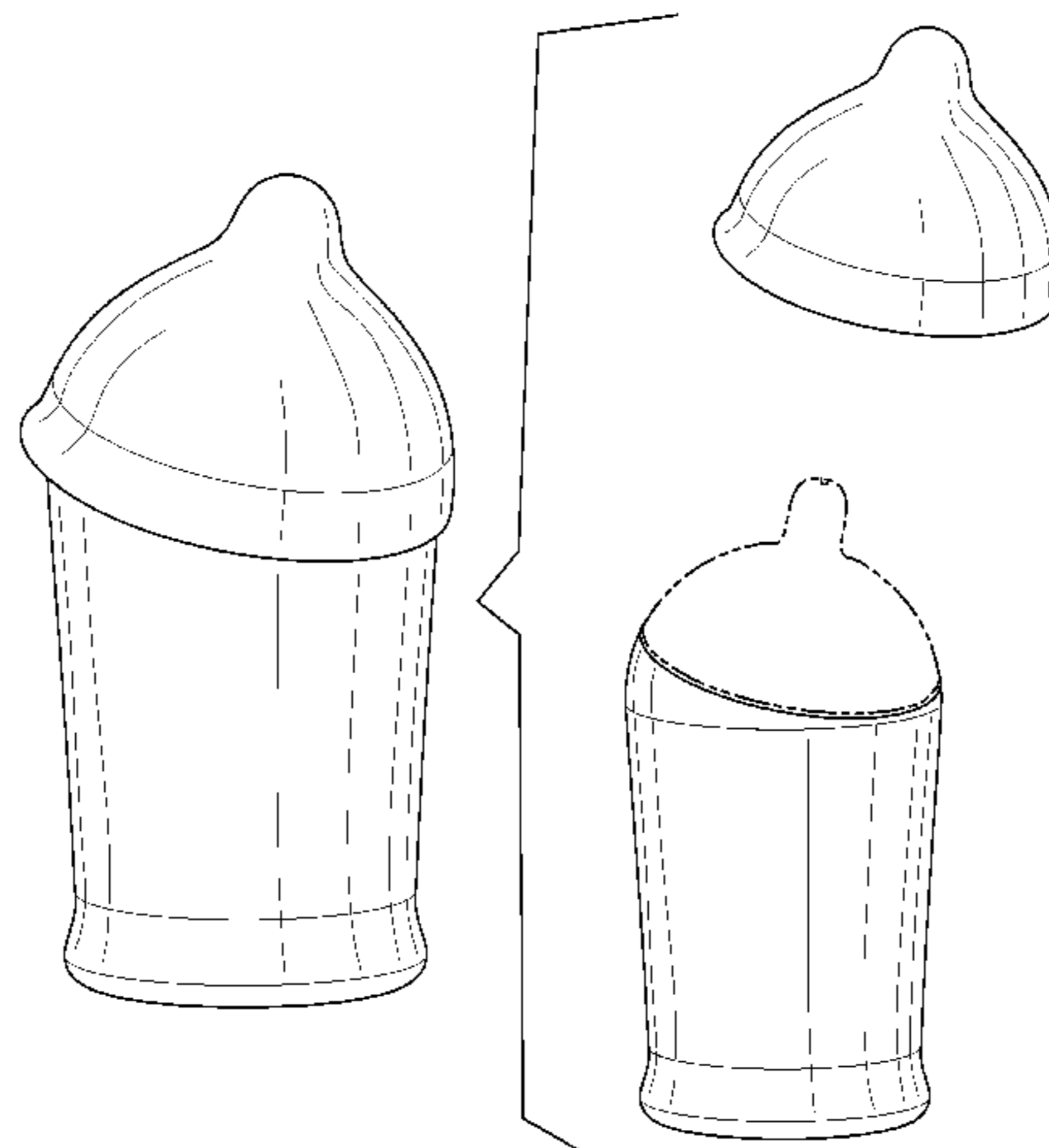
FIG. 13 is a left side view of the baby bottle with the protective lid according to the second embodiment; and,

FIG. 14 is an exploded view of the baby bottle with the protective lid according to the first embodiment showing the protective lid removed from the baby bottle.

The top and bottom views of the baby bottle with the protective lid according to the second embodiment are not shown, as they are identical to the top and bottom views of the baby bottle with the protective lid according to the first embodiment shown in FIGS. 6 and 7, respectively.

The broken lines showing a nipple in FIGS. 8 and 14 illustrate a portion of the article and form no part of the claimed design.

1 Claim, 14 Drawing Sheets



US D599,482 S

Page 2

U.S. PATENT DOCUMENTS

1,714,241 A *	5/1929	Reilly	215/11.1	5,993,479 A *	11/1999	Prentiss	606/236
1,733,184 A *	10/1929	Decker	215/11.1	D424,205 S *	5/2000	Williams	D24/199
2,150,835 A *	3/1939	Kazimirow	215/11.6	6,138,848 A *	10/2000	Fermo	215/11.1
D264,380 S *	5/1982	Chrones	D24/196	D438,801 S *	3/2001	Mohary et al.	D9/520
5,690,679 A	11/1997	Prentiss	606/236	D440,316 S *	4/2001	Tollman	D24/197
D412,033 S *	7/1999	Morano	D24/197	D555,795 S *	11/2007	Mallet	D24/197
					2008/0083692 A1 *	4/2008	Strickler et al.	215/11.6

* cited by examiner

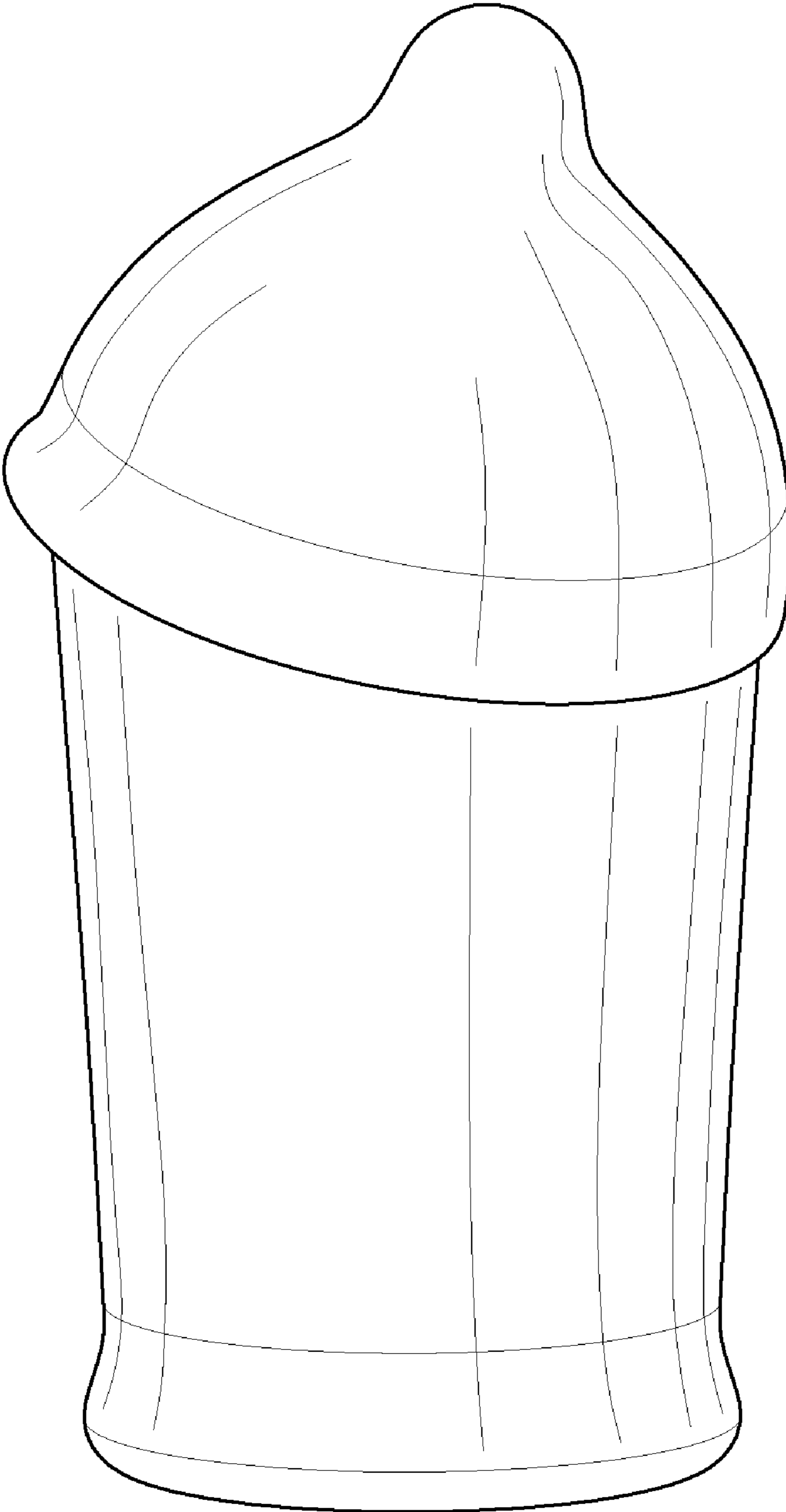


FIG. 1

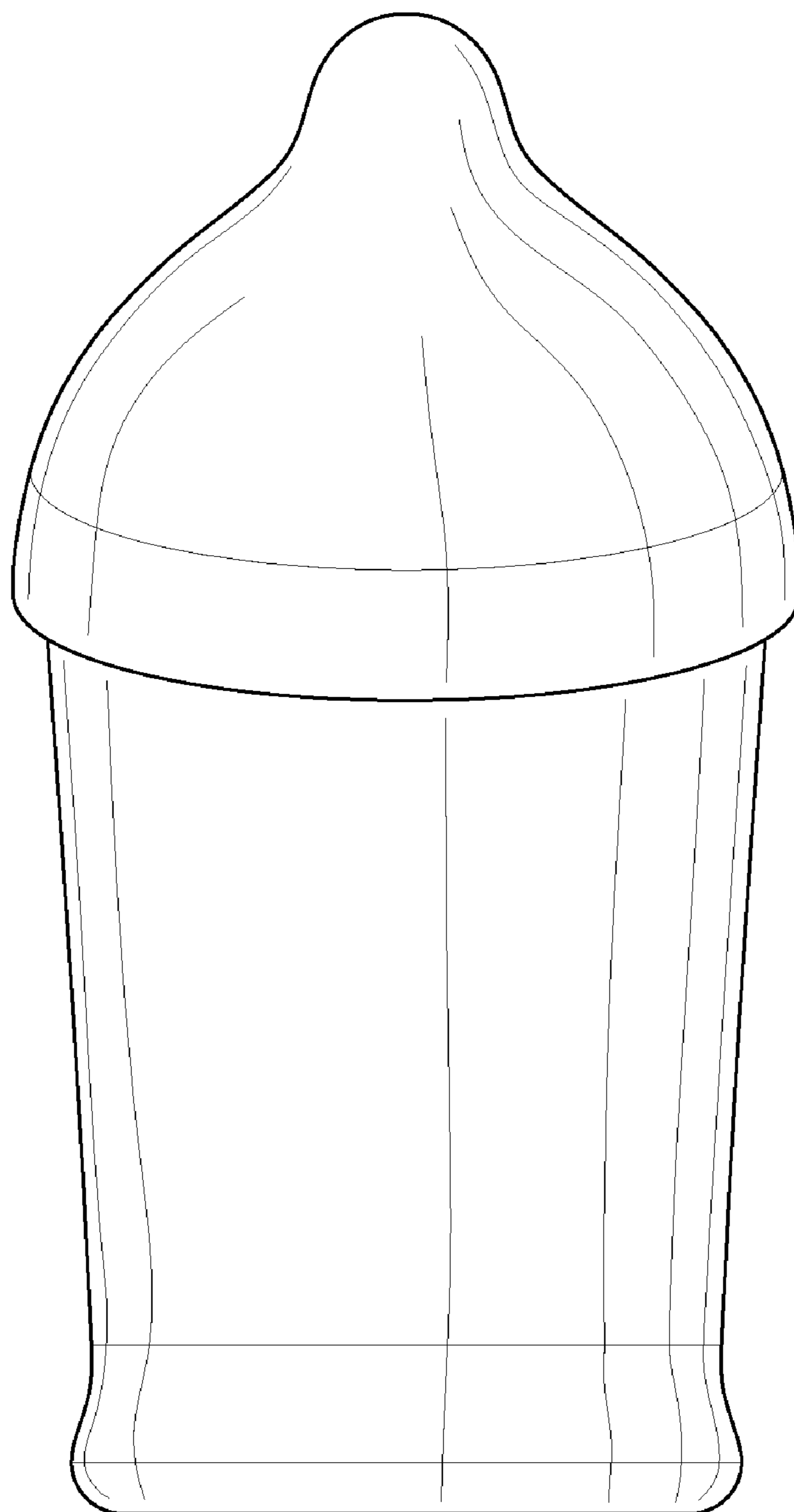


FIG. 2

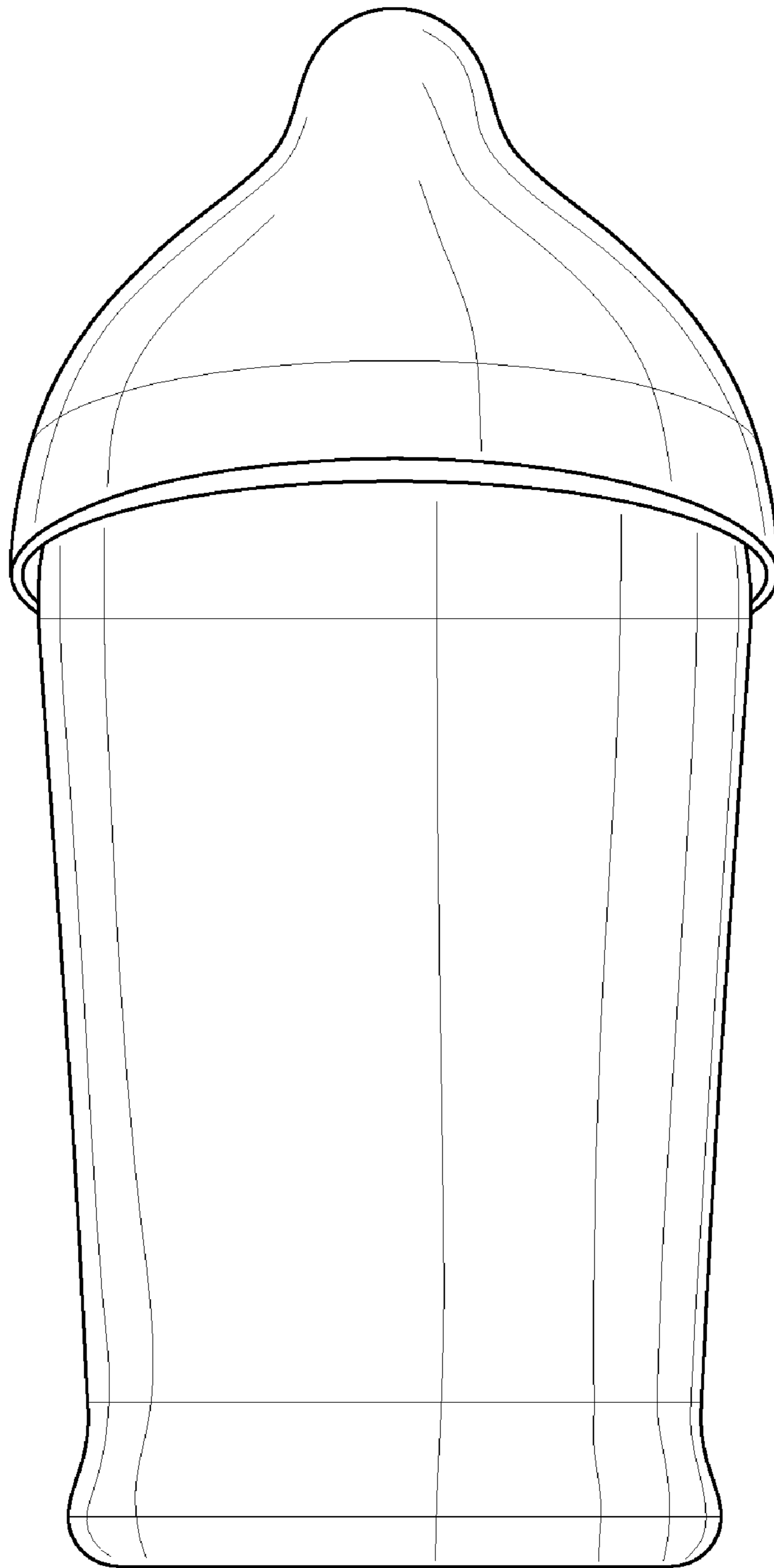


FIG. 3

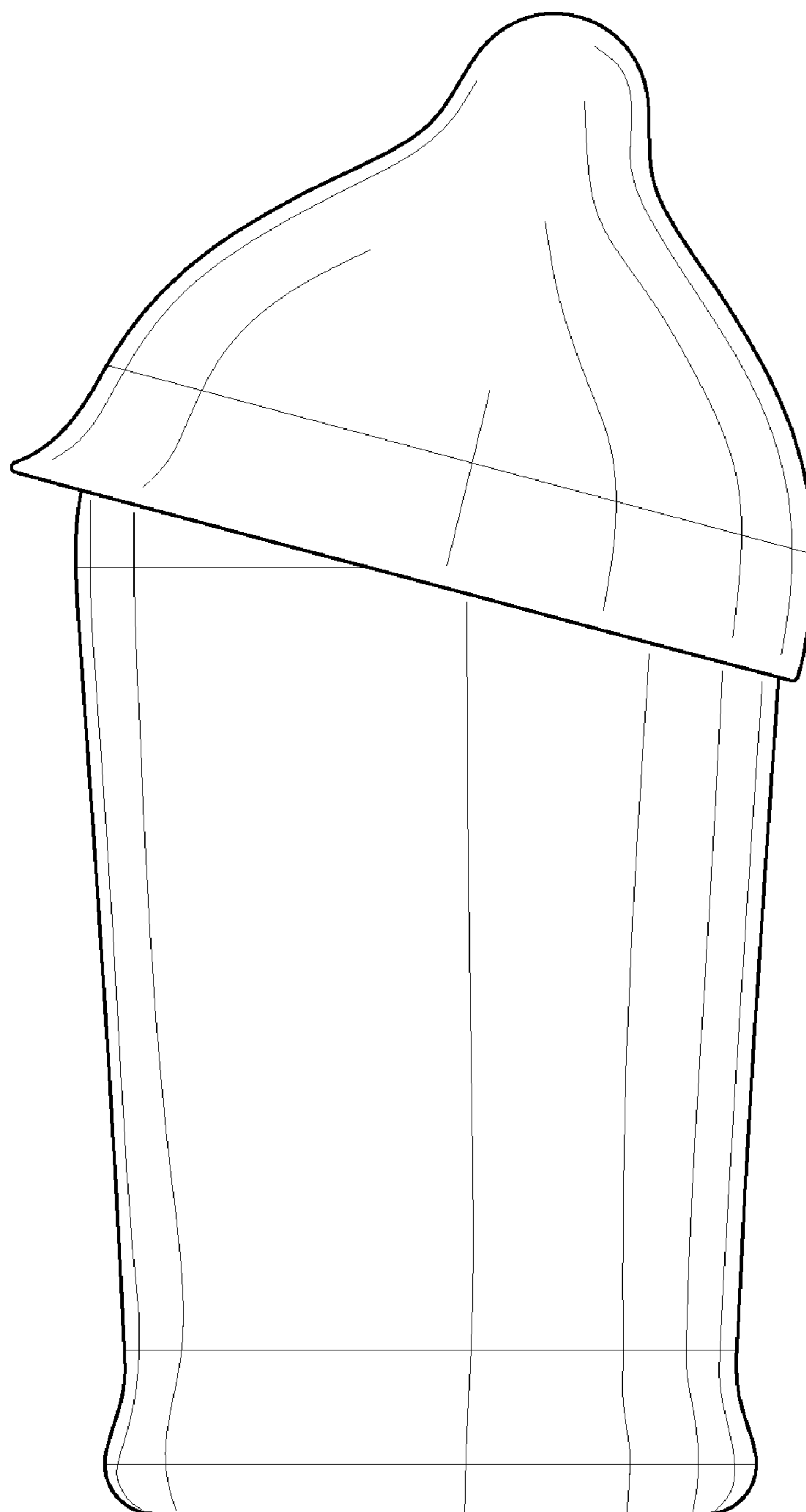


FIG. 4

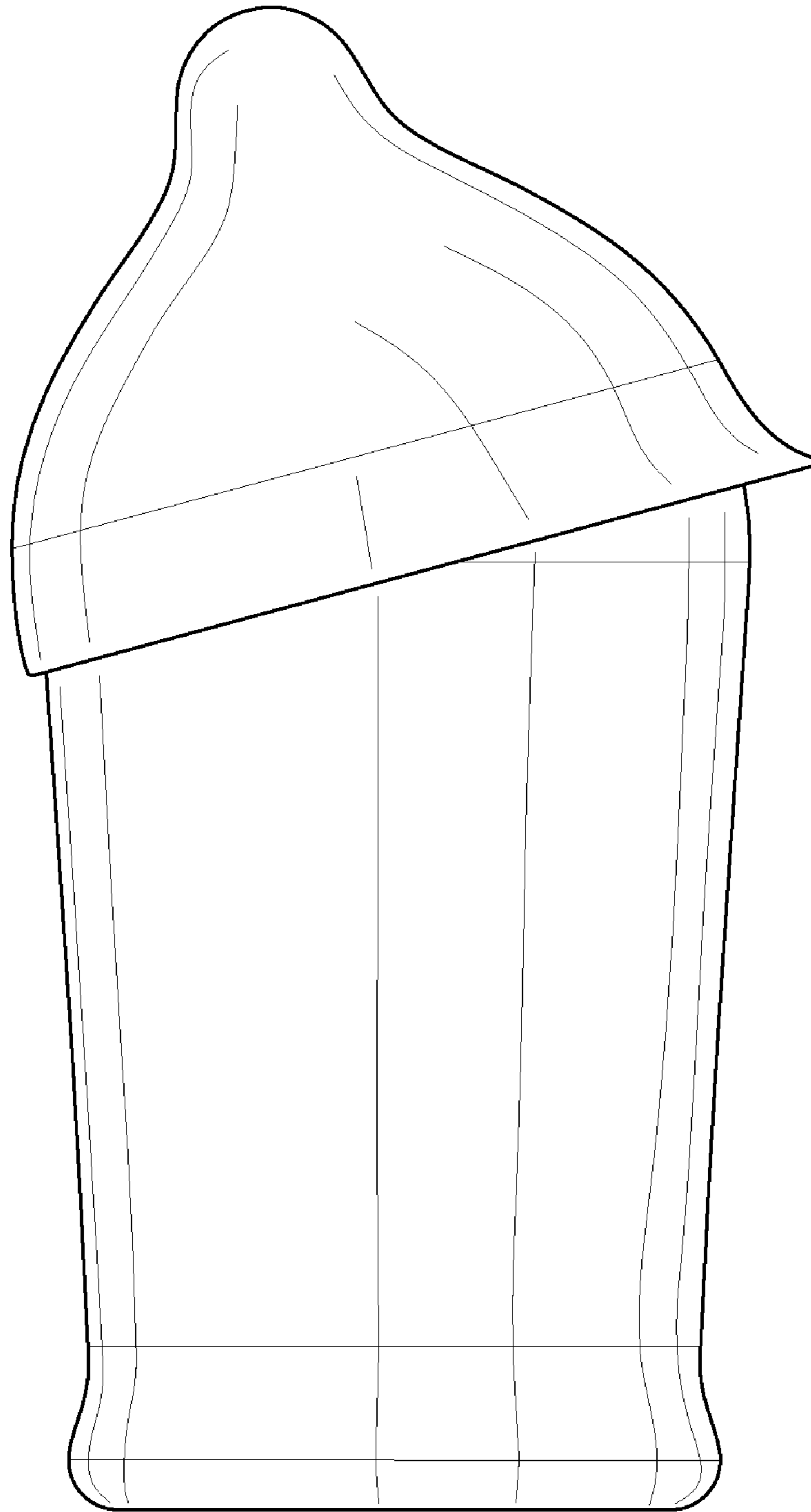


FIG. 5

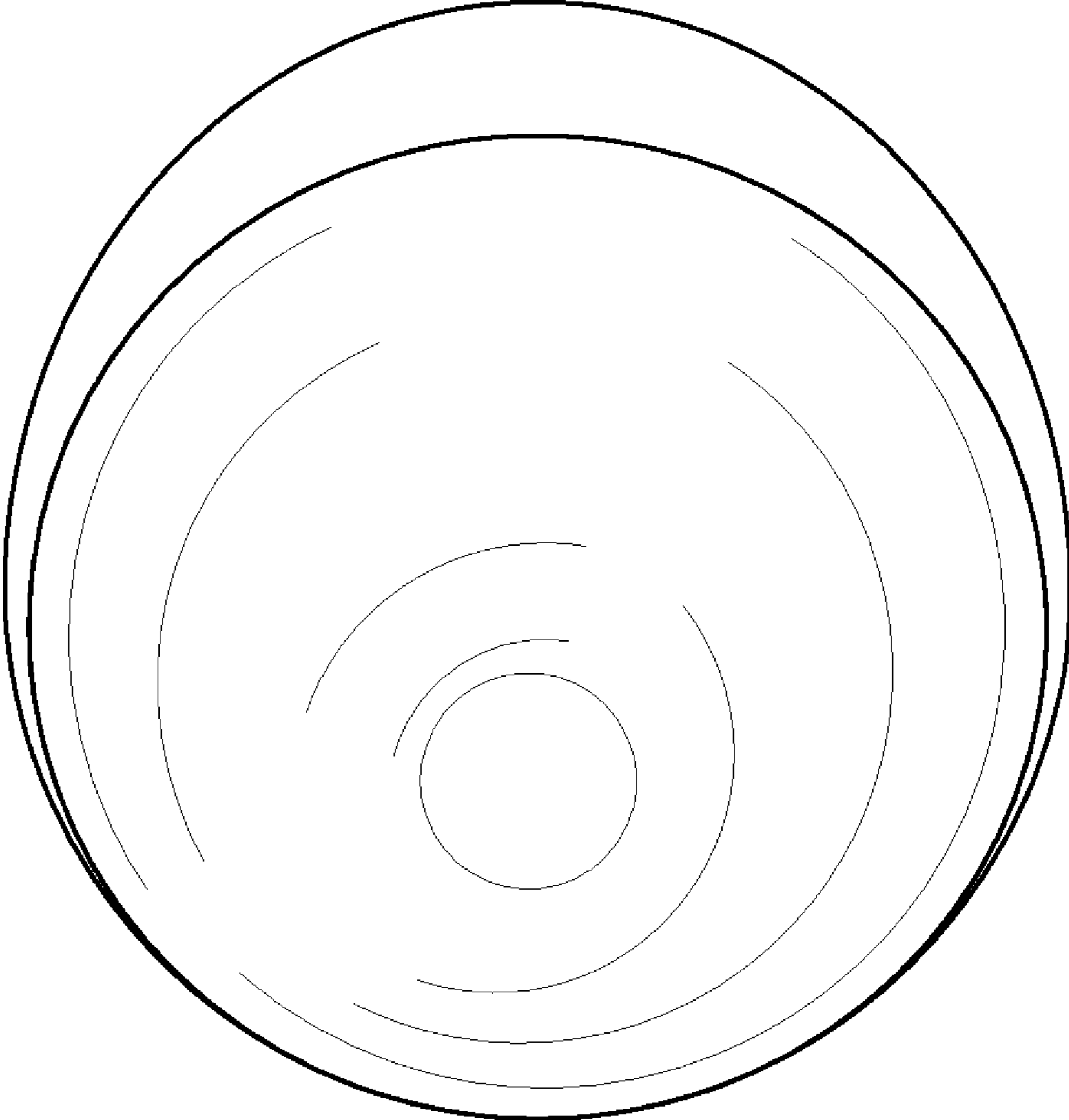


FIG. 6

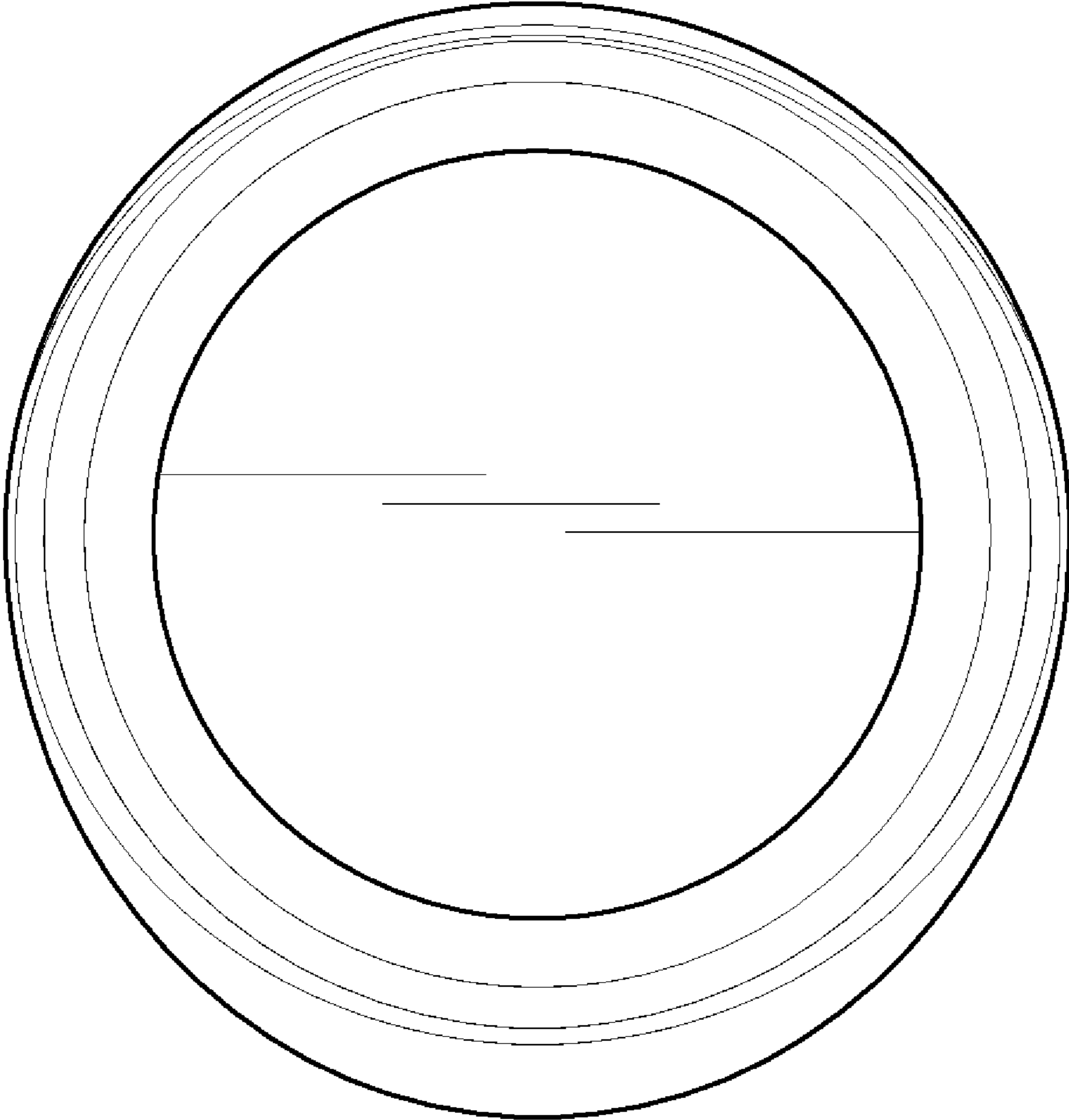


FIG. 7

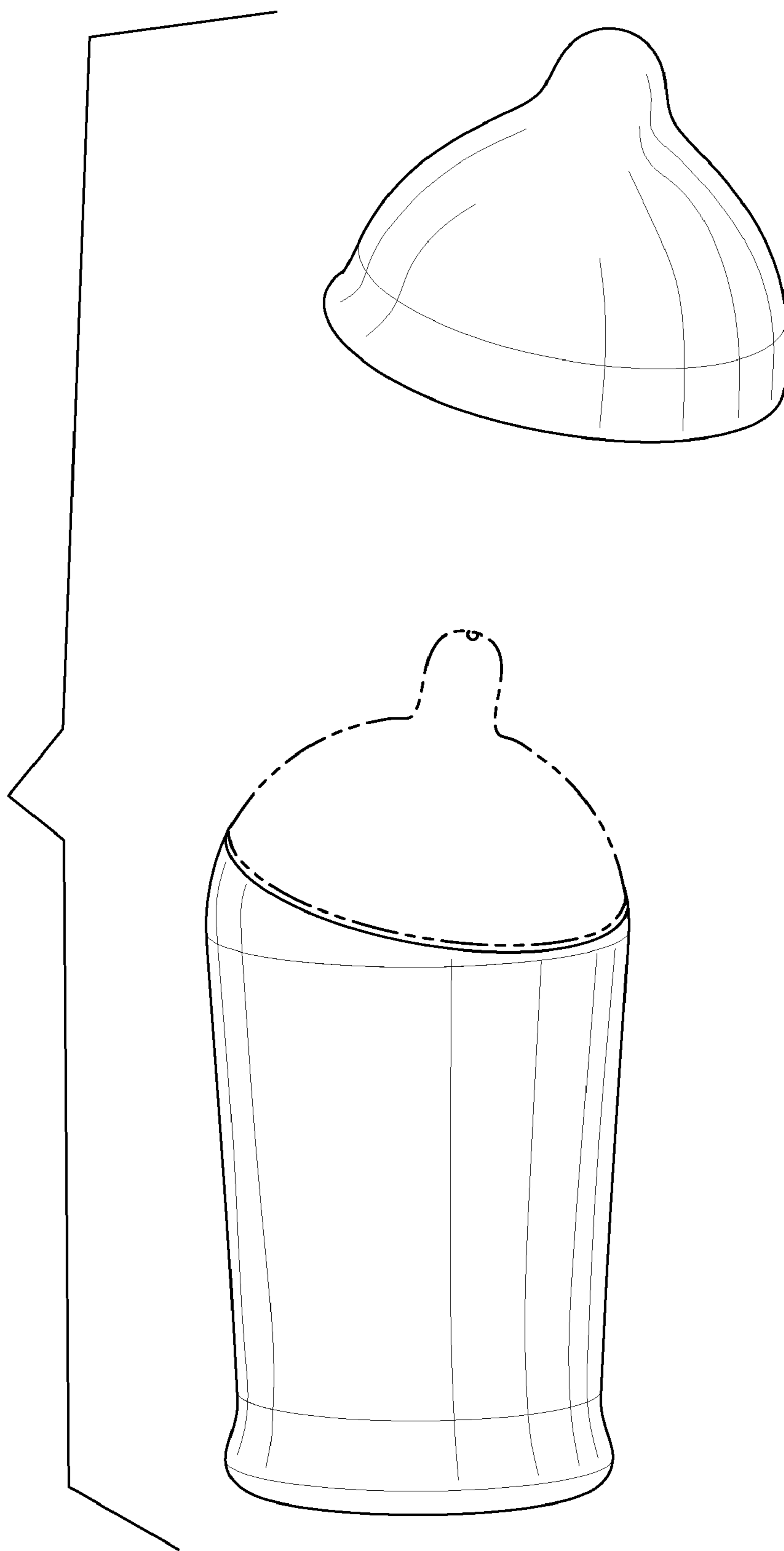


FIG. 8

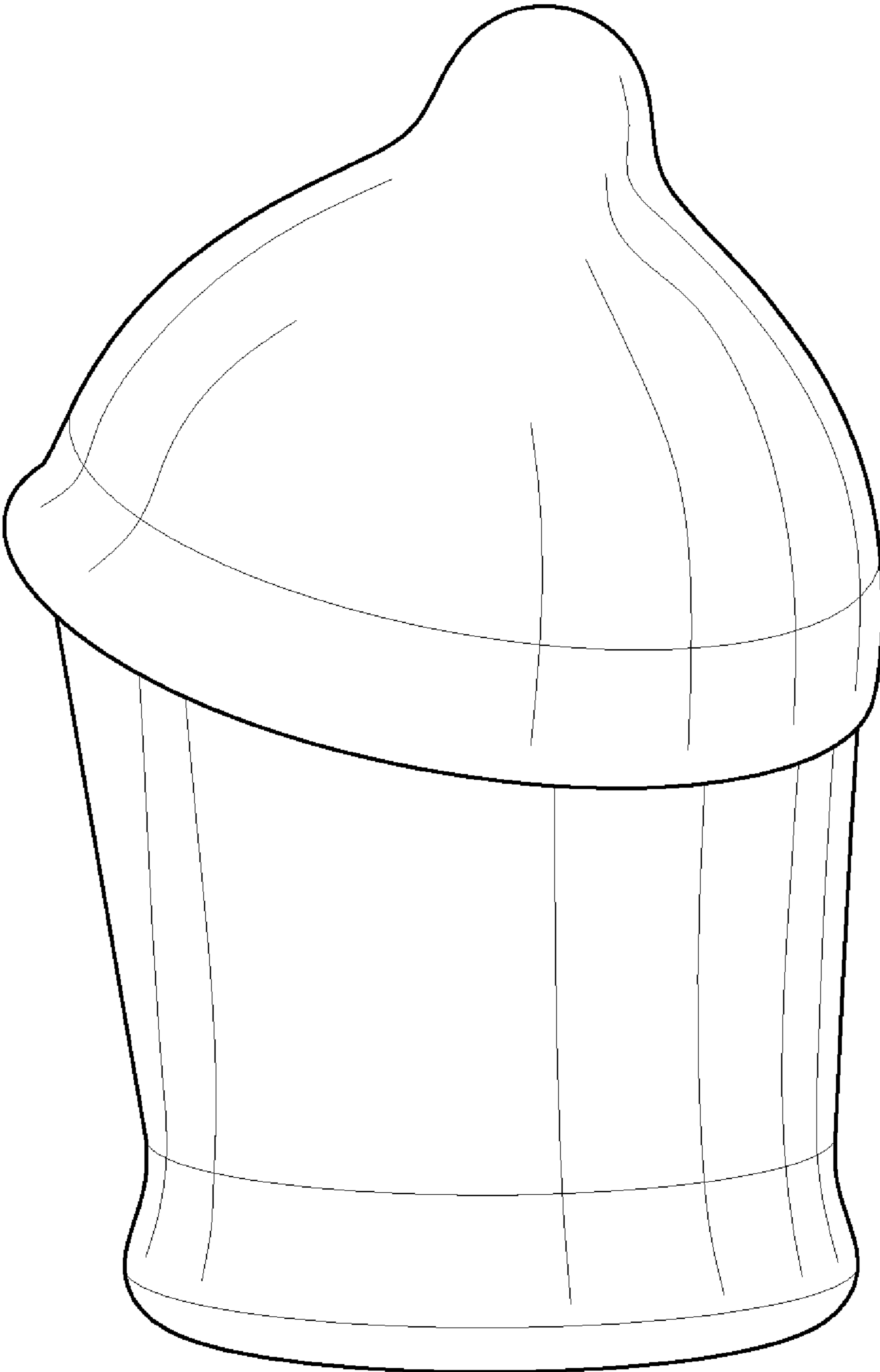


FIG. 9

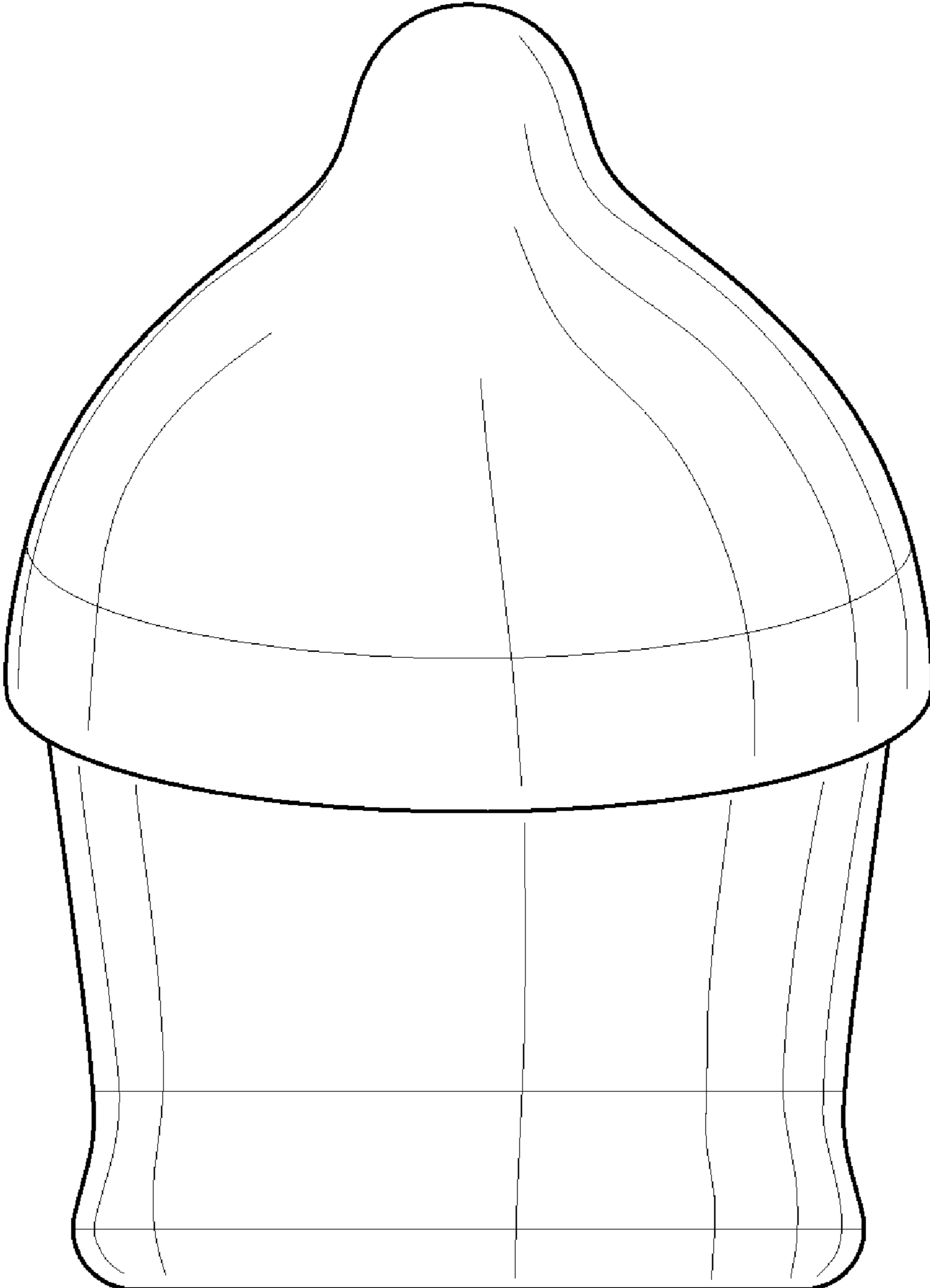


FIG. 10

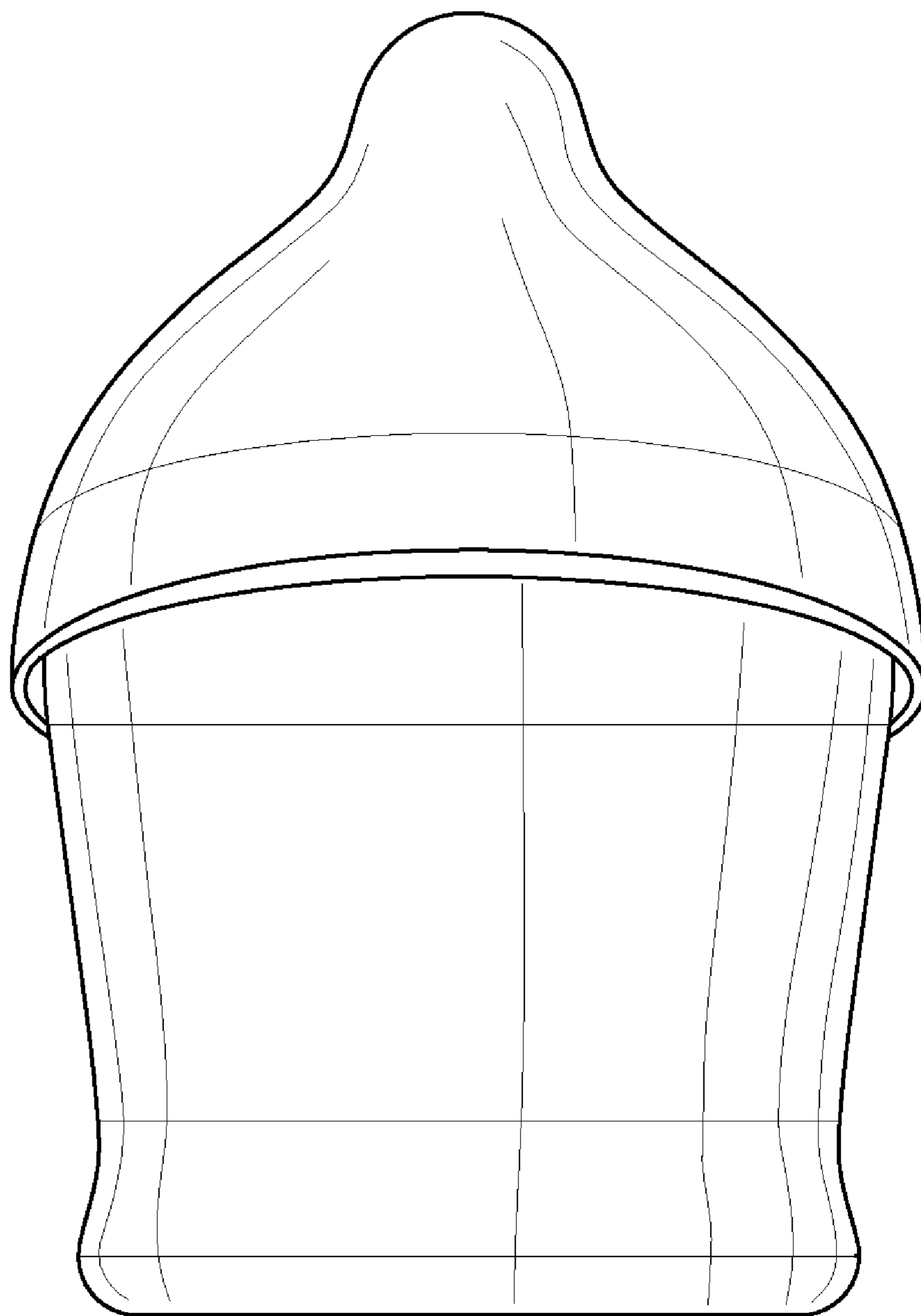


FIG. 11

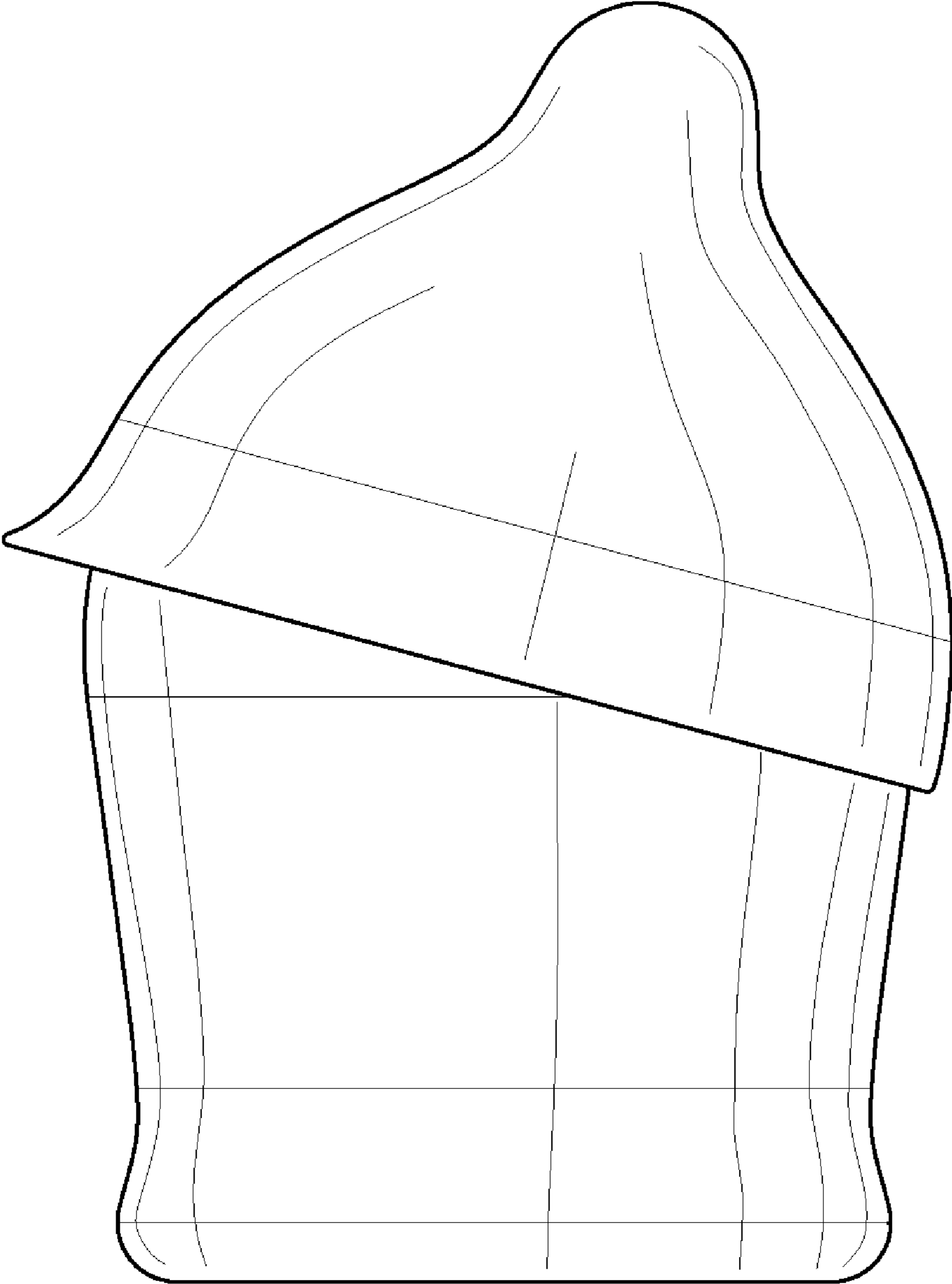


FIG. 12

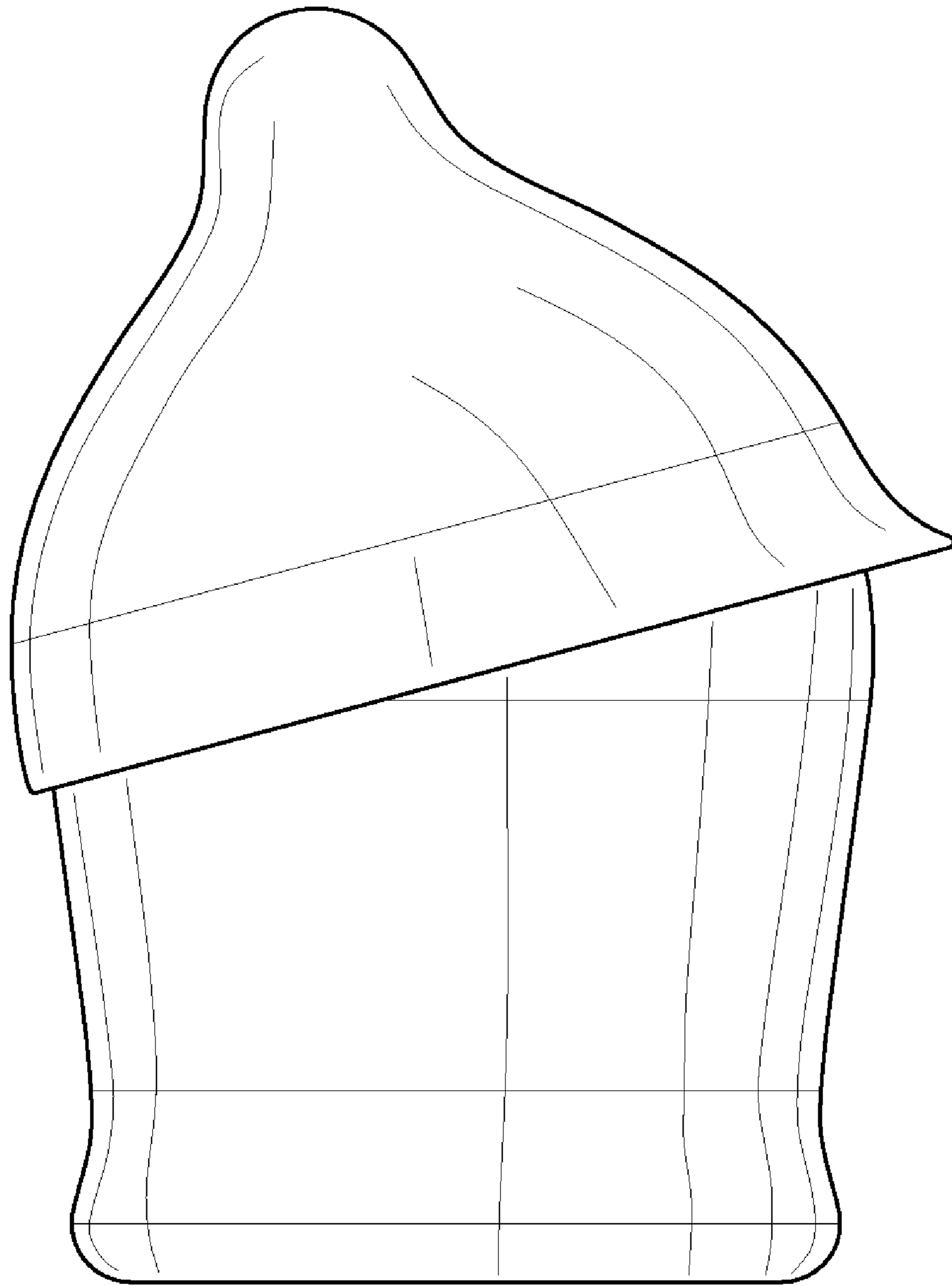


FIG. 13

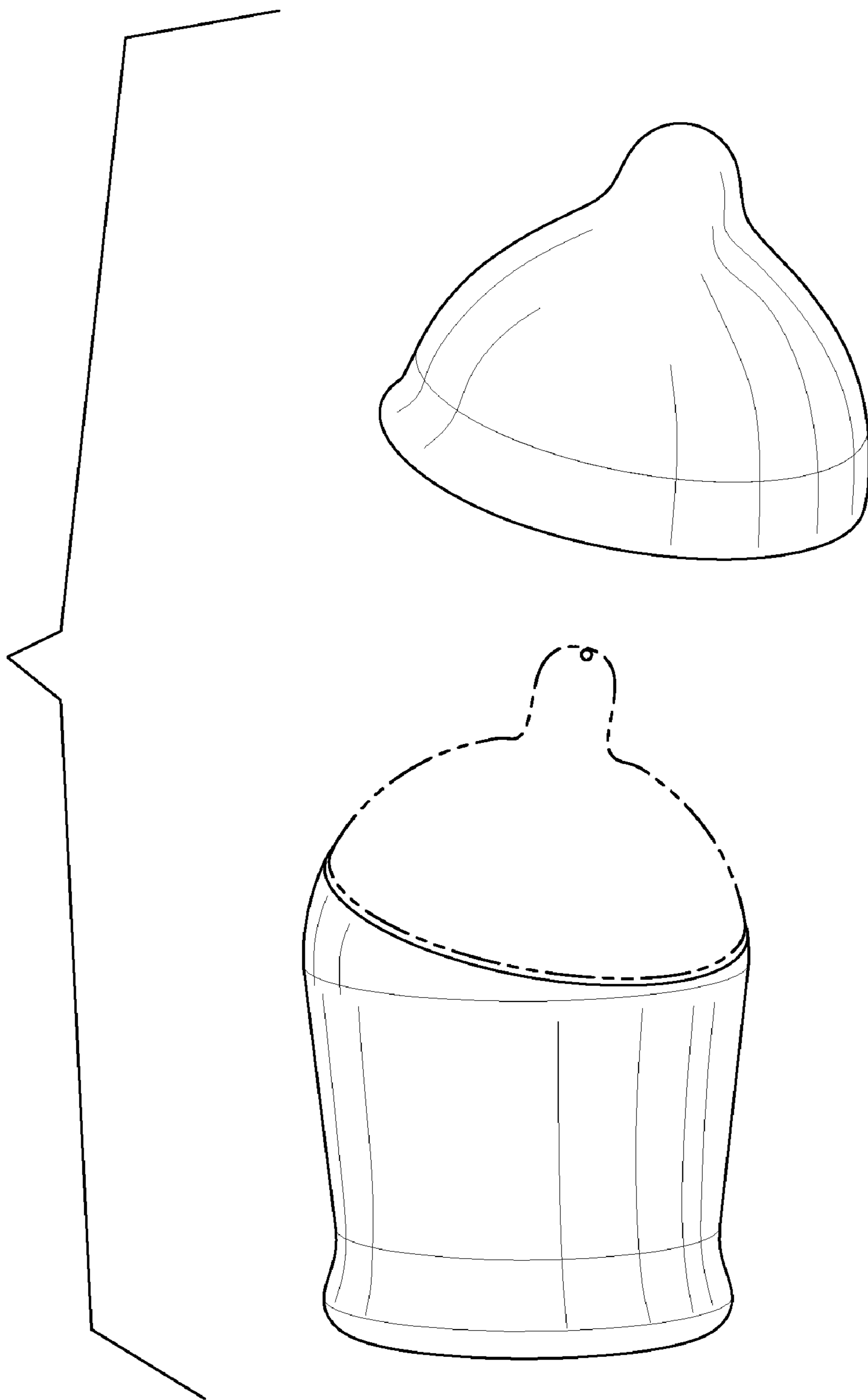


FIG. 14