

US00D599478S

(12) **United States Design Patent**
Bizup et al.

(10) **Patent No.:** **US D599,478 S**

(45) **Date of Patent:** **** Sep. 1, 2009**

(54) **ADAPTER CLAMP FOR TUBING**

(75) Inventors: **Raymond Bizup**, Feasterville, PA (US);
Mark S. Fisher, Sellersville, PA (US)

(73) Assignee: **Medical Components, Inc.**,
Harleysville, PA (US)

(**) Term: **14 Years**

(21) Appl. No.: **29/289,174**

(22) Filed: **Jul. 10, 2007**

(51) **LOC (9) Cl.** **24-02**

(52) **U.S. Cl.** **D24/128**

(58) **Field of Classification Search** D24/129;
604/323, 327, 328, 34, 256; 251/7, 10; D8/395-396,
D8/394

See application file for complete search history.

(56) **References Cited**

U.S. PATENT DOCUMENTS

D230,727	S *	3/1974	Richman	D24/143
4,266,751	A *	5/1981	Akhavi	251/6
4,340,052	A	7/1982	Dennehey et al.		
4,405,312	A	9/1983	Gross et al.		
4,432,759	A	2/1984	Gross et al.		
D318,123	S *	7/1991	Yokoyama et al.	D24/129
5,059,170	A	10/1991	Cameron		
5,171,216	A	12/1992	Dasse et al.		
5,443,096	A	8/1995	King		
D369,859	S *	5/1996	Ribando et al.	D24/129
5,531,695	A	7/1996	Swisher		
D373,191	S *	8/1996	Ribando et al.	D24/129
6,267,754	B1	7/2001	Peters		
D477,776	S *	7/2003	Pontaoe	D8/396

6,916,051	B2	7/2005	Fisher		
2007/0252096	A1 *	11/2007	Zerfas	251/10
2008/0029721	A1 *	2/2008	Miyahara	251/6
2008/0290303	A1 *	11/2008	Mackal	251/9

* cited by examiner

Primary Examiner—T. Chase Nelson

Assistant Examiner—Eric L Goodman

(74) *Attorney, Agent, or Firm*—Anton P. Ness; Fox Rothschild LLP

(57) **CLAIM**

The ornamental design for an adapter clamp for tubing, as shown and described.

DESCRIPTION

FIG. 1 is an isometric view of an adapter clamp according to the present invention.

FIG. 2 is a top view of the adapter clamp shown in FIG. 1.

FIG. 3 is a left side view of the adapter clamp shown in FIG. 1; the right side view is a mirror image of the left side view.

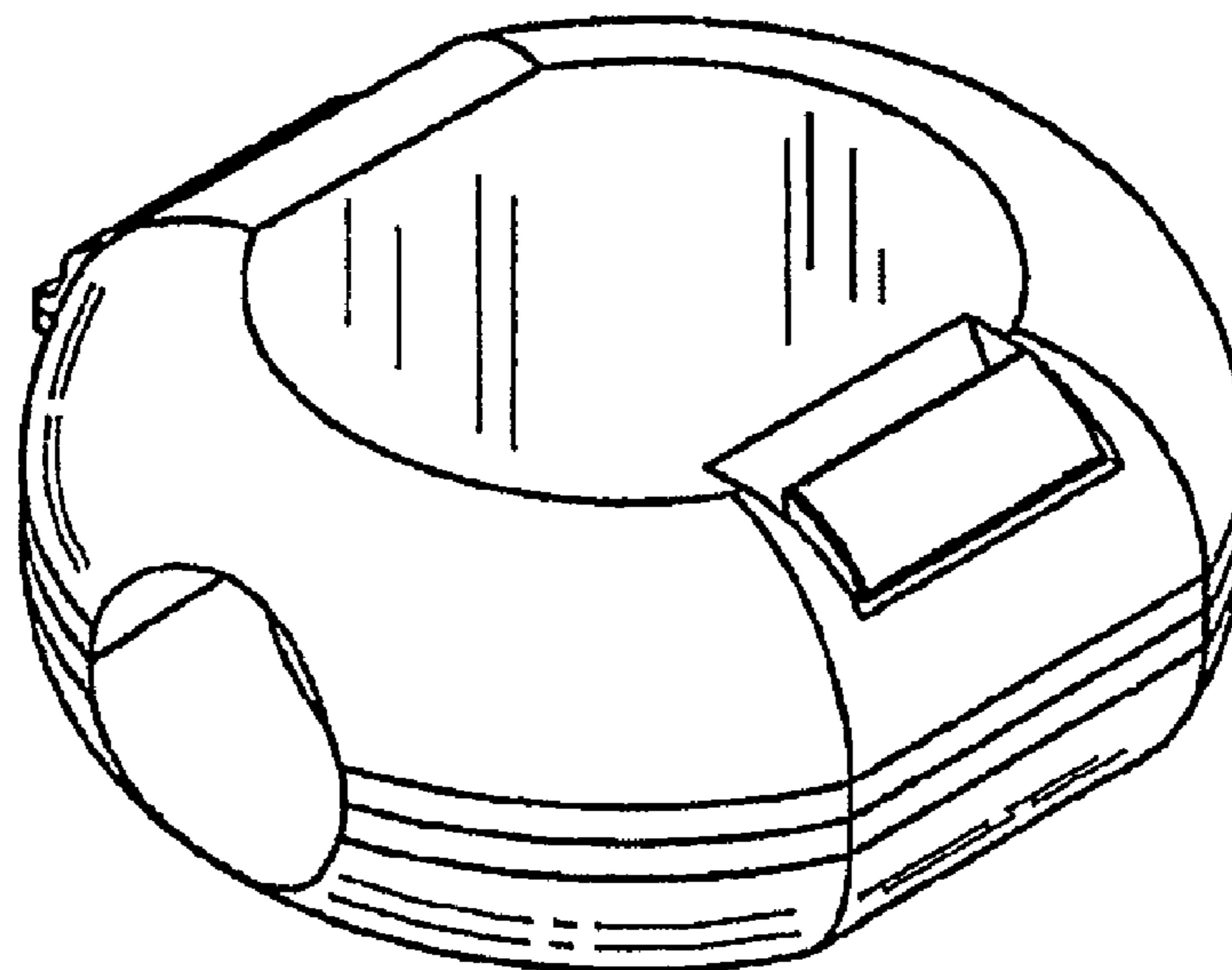
FIG. 4 is a bottom view of the adapter clamp shown in FIG. 1 with a portion shown in dashed lines that is not part of the claimed subject matter.

FIG. 5 is a rear view of the adapter clamp shown in FIG. 1; and,

FIG. 6 is a front view of the adapter clamp shown in FIG. 1 with a portion shown in dashed lines that is not part of the claimed subject matter.

The broken line showing is included for the purpose of illustrating portions of the article and forms no part of the claimed design.

1 Claim, 2 Drawing Sheets



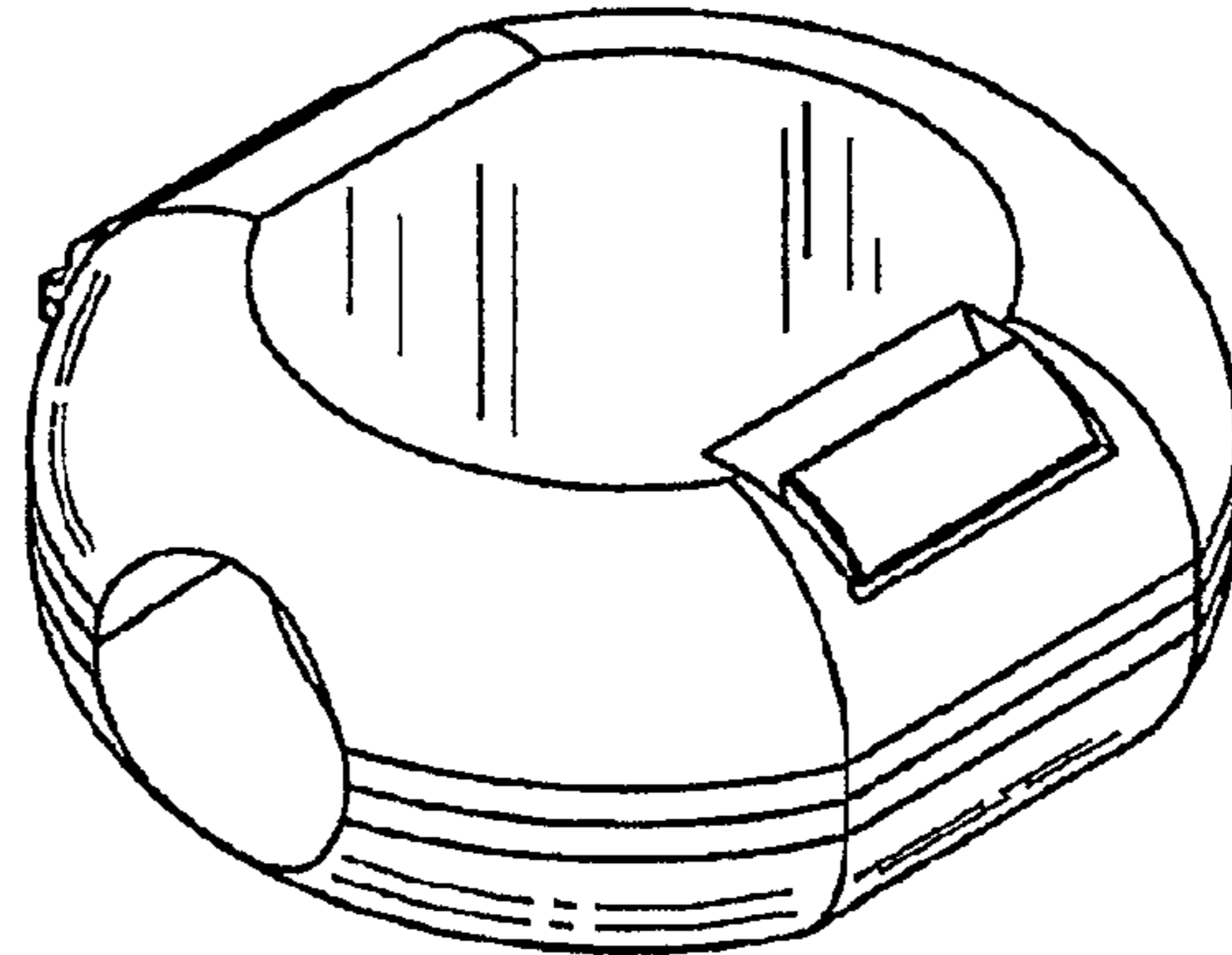


FIG. 1

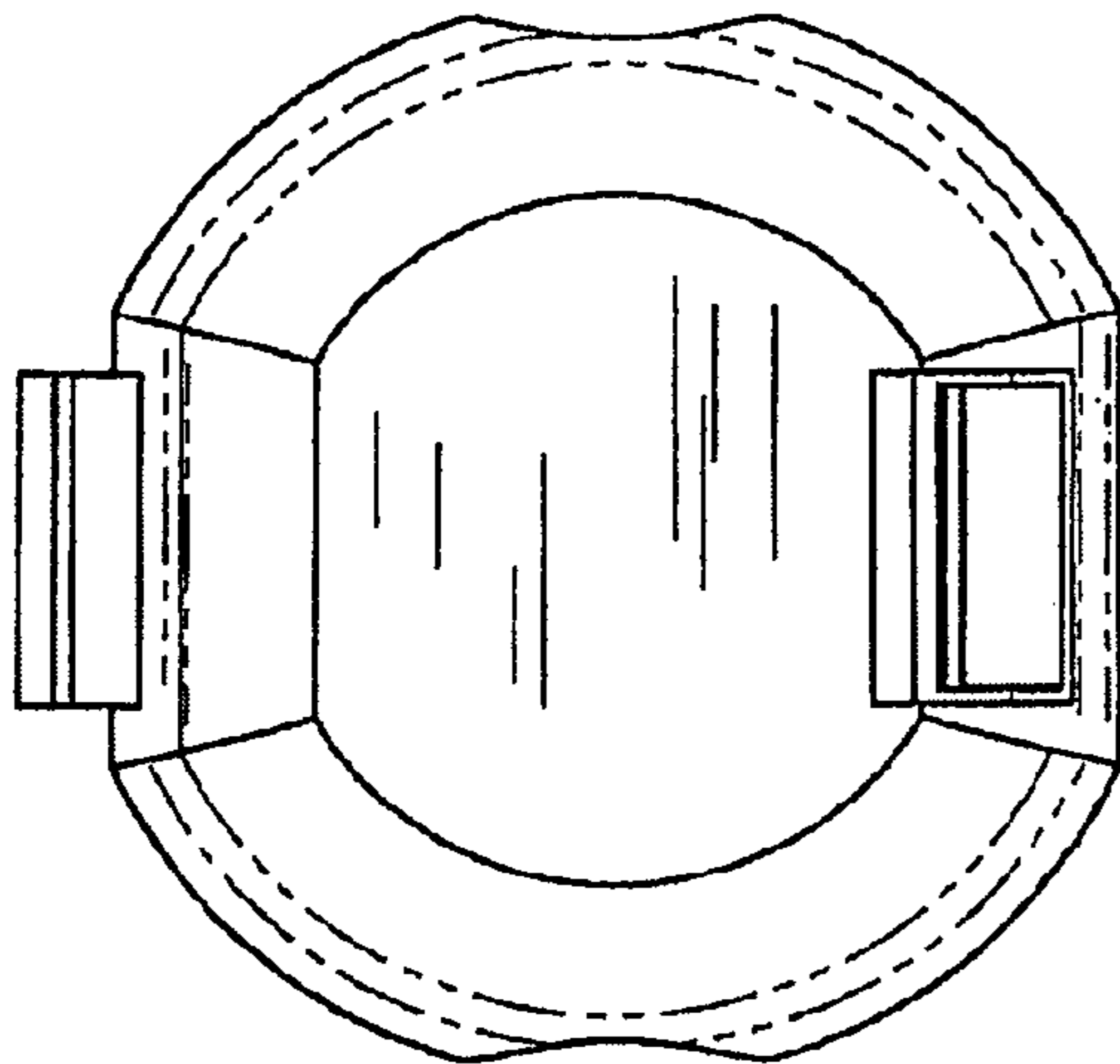


FIG. 2

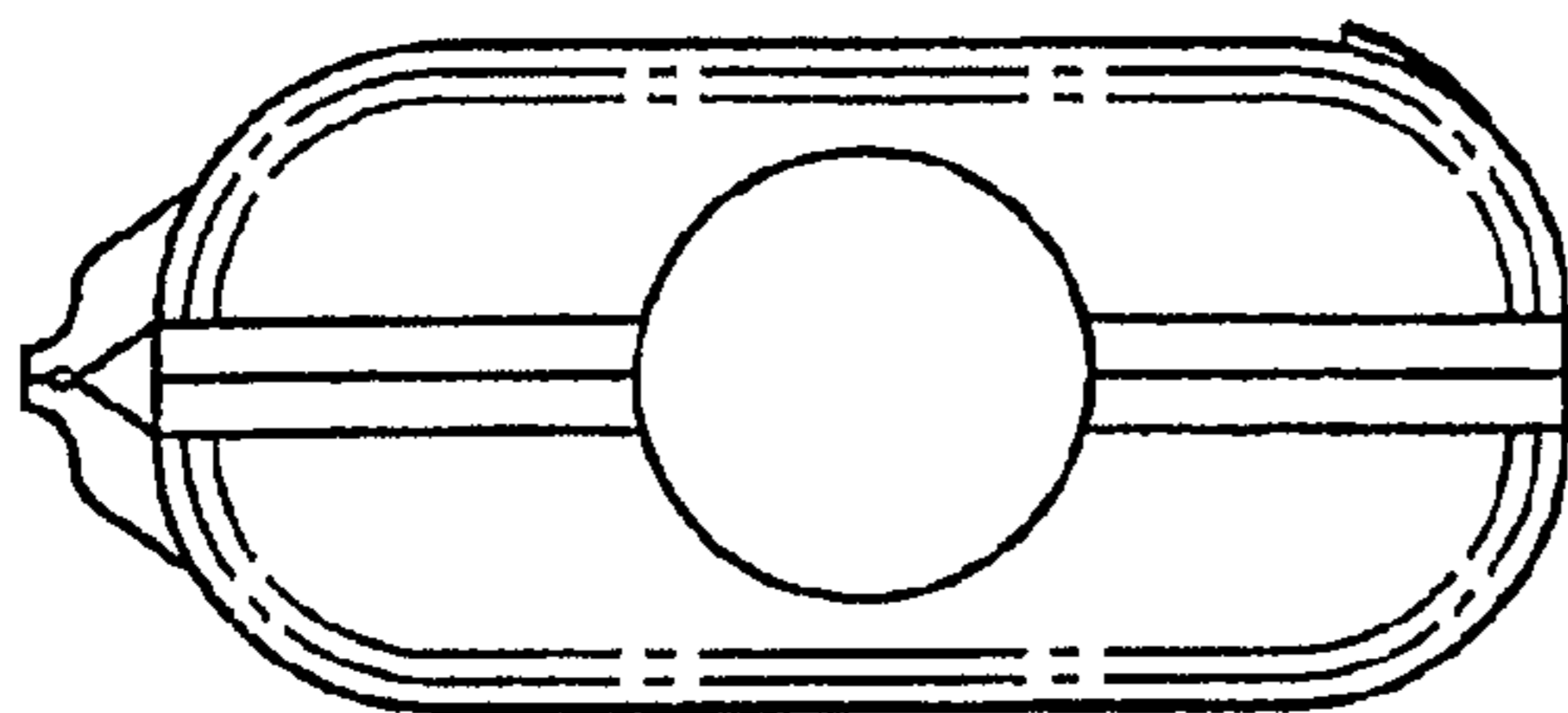


FIG. 3

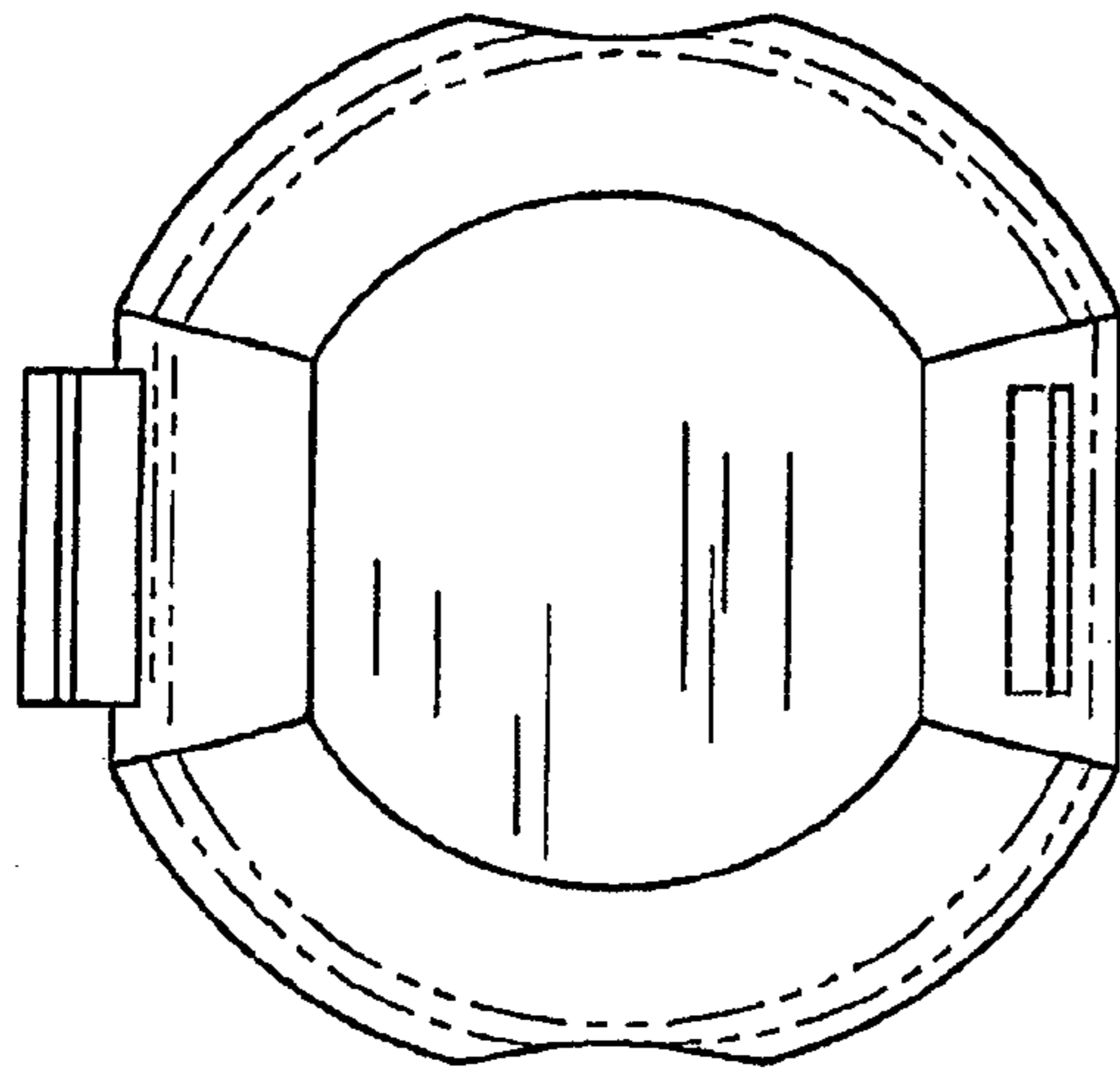


FIG. 4

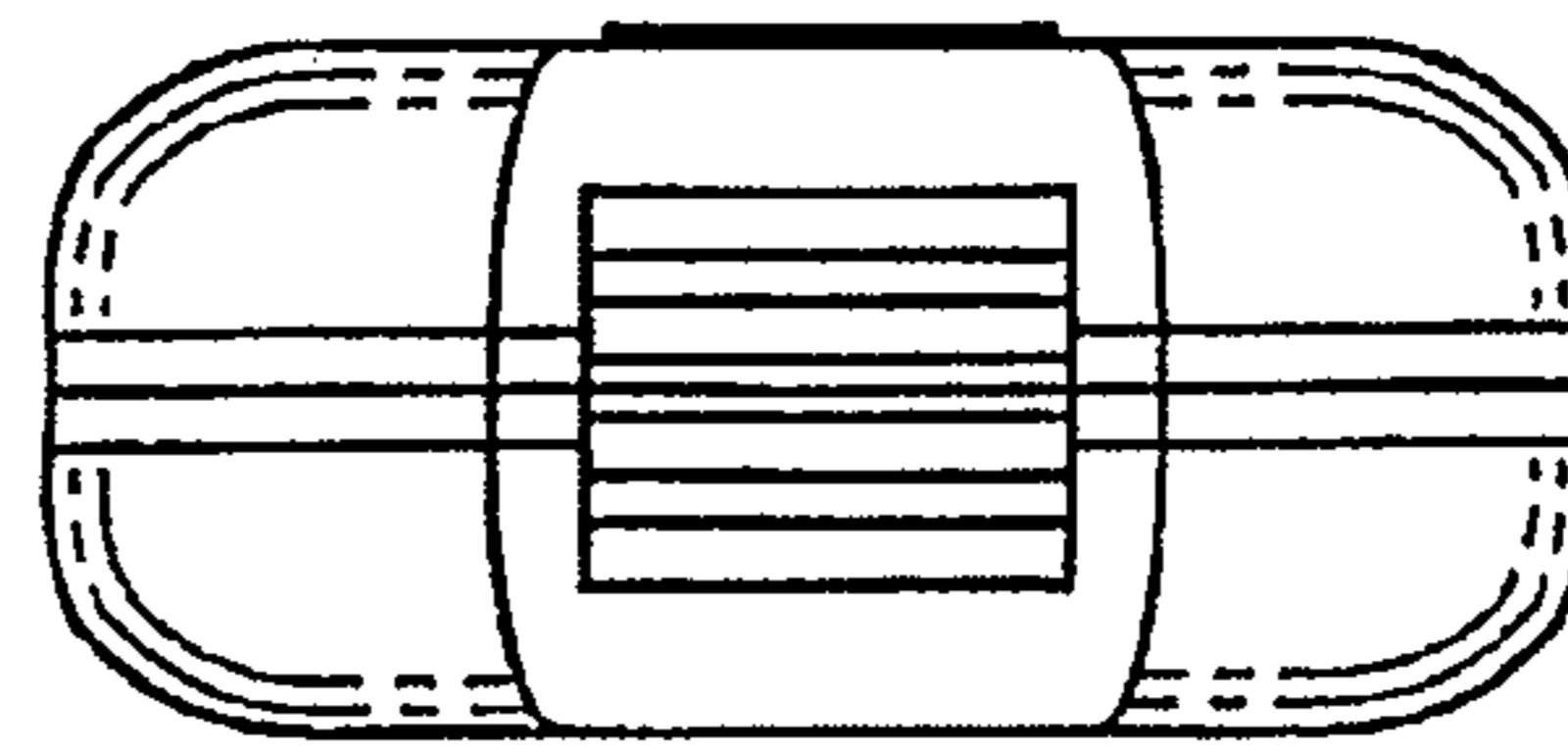


FIG. 5

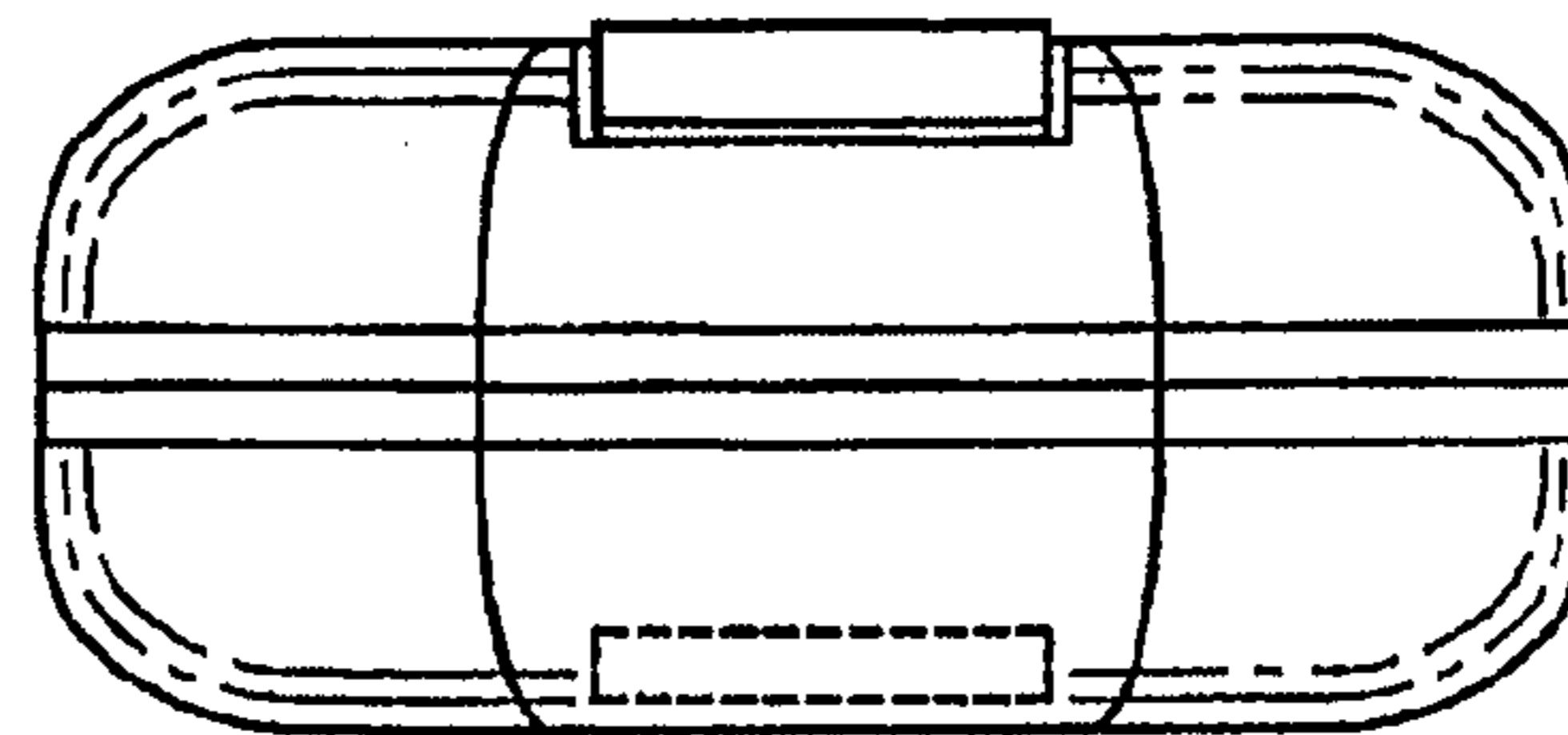


FIG. 6