



US00D599471S

(12) **United States Design Patent**
Borovicka et al.

(10) **Patent No.:** **US D599,471 S**
(45) **Date of Patent:** **** Sep. 1, 2009**

(54) **FAN CAGE FOR A BARBEQUE BLOWER ATTACHMENT**

D406,331 S * 3/1999 Chan D23/382
D427,674 S 7/2000 Moreno
D439,967 S * 4/2001 Bogazzi D23/382
D452,304 S * 12/2001 Shapiro D23/382

(75) Inventors: **Cory Thomas Borovicka**, San Francisco, CA (US); **Charles Adams**, Berkeley, CA (US)

* cited by examiner

(73) Assignee: **Charcoal Companion Incorporated**, Emeryville, CA (US)

Primary Examiner—Lisa P Lichtenstein
(74) *Attorney, Agent, or Firm*—Donald L. Beeson; Beeson Skinner Beverly, LLP

(**) Term: **14 Years**

(57) **CLAIM**

(21) Appl. No.: **29/328,539**

The ornamental design for a fan cage for a barbecue blower attachment, as shown and described.

(22) Filed: **Nov. 25, 2008**

DESCRIPTION

(51) **LOC (9) Cl.** **23-04**

FIG. 1 is a top perspective view of a fan cage for a barbecue blower attachment showing our new design;

(52) **U.S. Cl.** **D23/412**

FIG. 2 is a front elevational view thereof;

(58) **Field of Classification Search** D23/412,
D23/411, 382, 381, 332; 416/244 R, 247 R;
417/411

FIG. 3 is a left side elevational view thereof, the right side being a mirror image;

See application file for complete search history.

FIG. 4 is a rear elevational view thereof;

(56) **References Cited**

U.S. PATENT DOCUMENTS

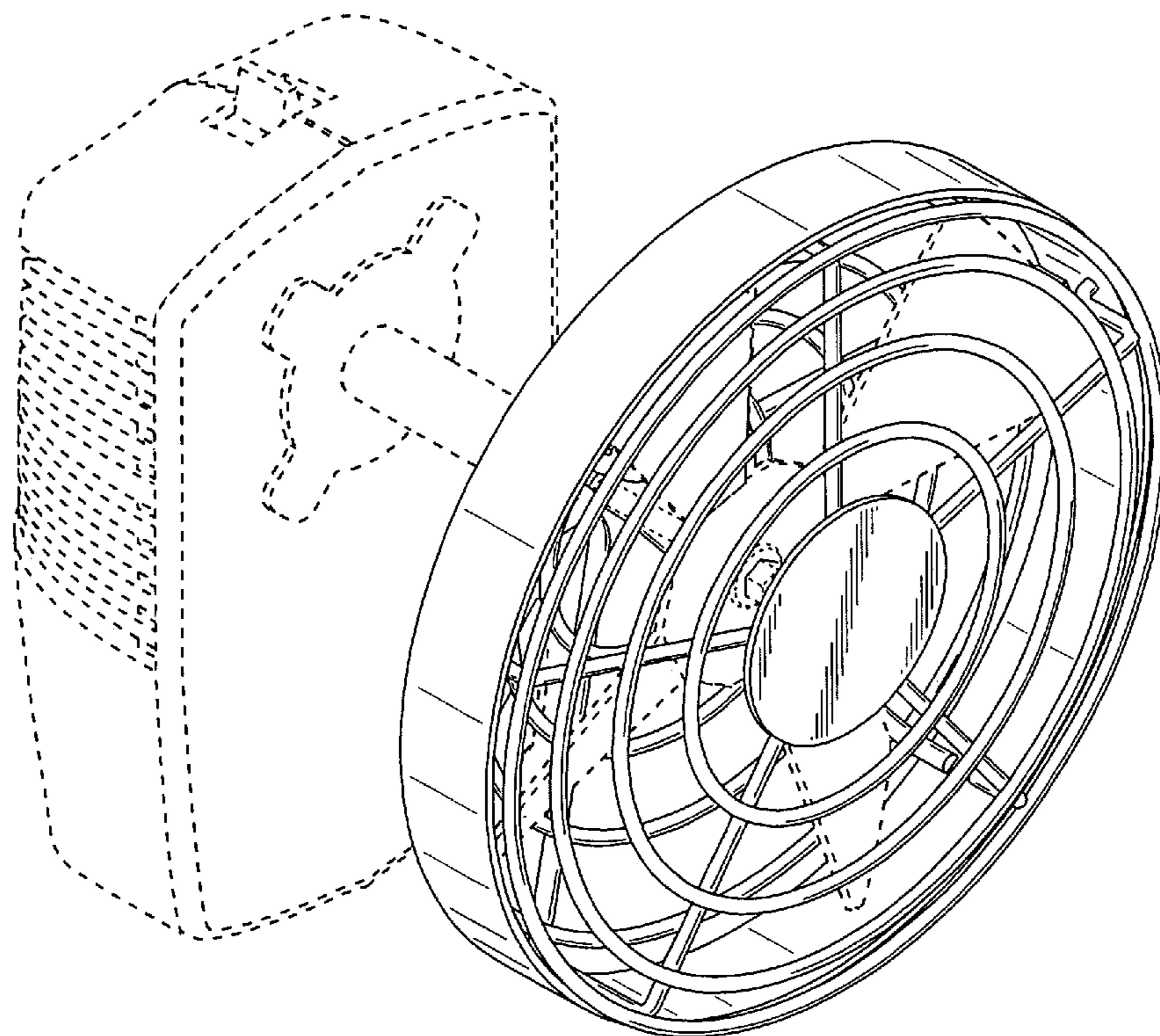
2,017,431 A 10/1935 Anderson et al.
3,697,198 A * 10/1972 Holder, Jr. 417/411
D253,908 S * 1/1980 Holder, Jr. D23/370
4,799,858 A 1/1989 Shin-Chin
D309,944 S 8/1990 Chiu
D391,357 S 2/1998 Chi
5,725,356 A * 3/1998 Carter 416/240

FIG. 5 is a top plan view thereof; and,

FIG. 6 is a bottom plan view thereof.

The broken lines showing the fan blade, neck, and fan motor housing of the blower attachment are for the purpose of illustrating environmental structure and form no part of the claimed design.

1 Claim, 4 Drawing Sheets



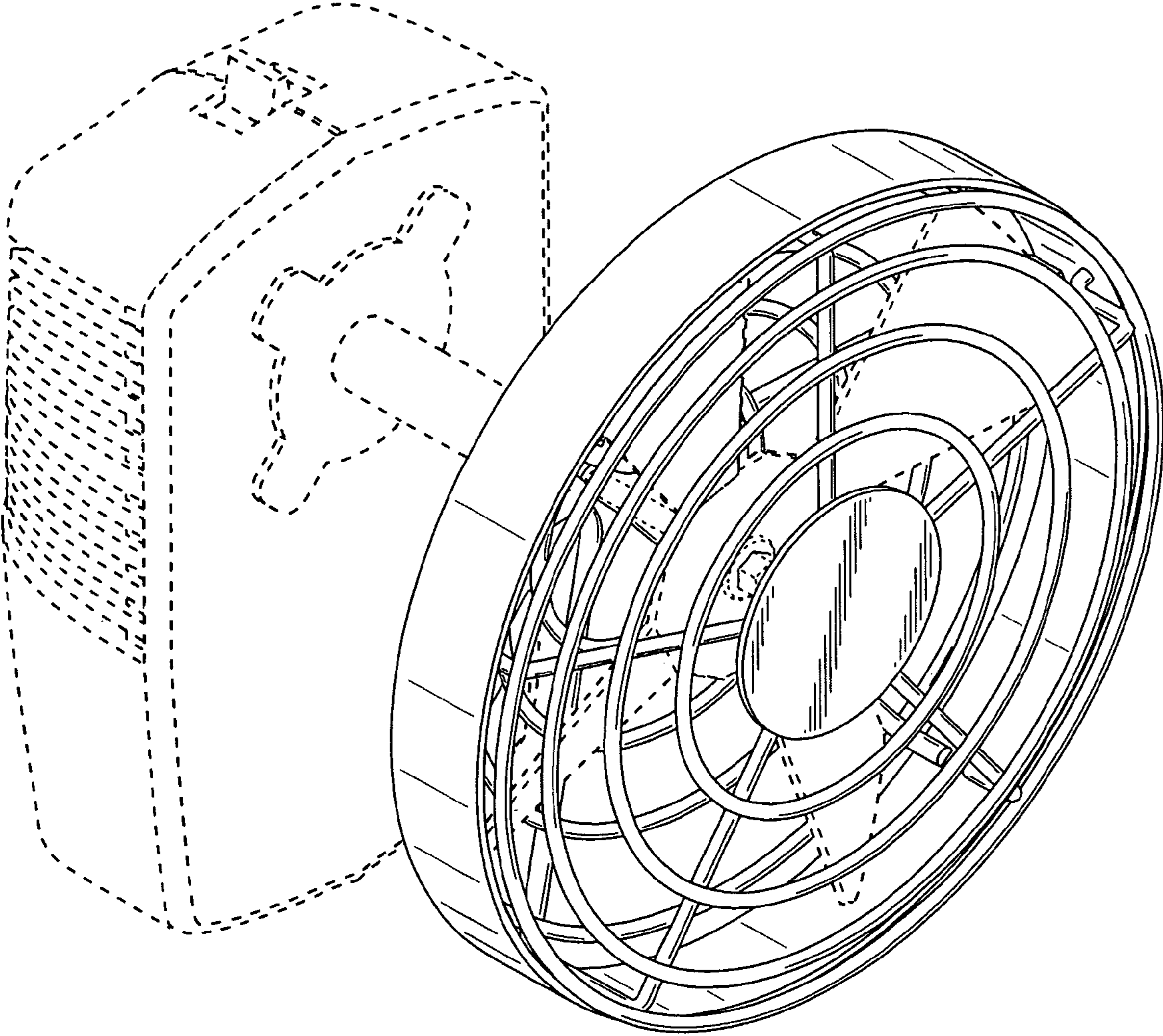


FIG. 1

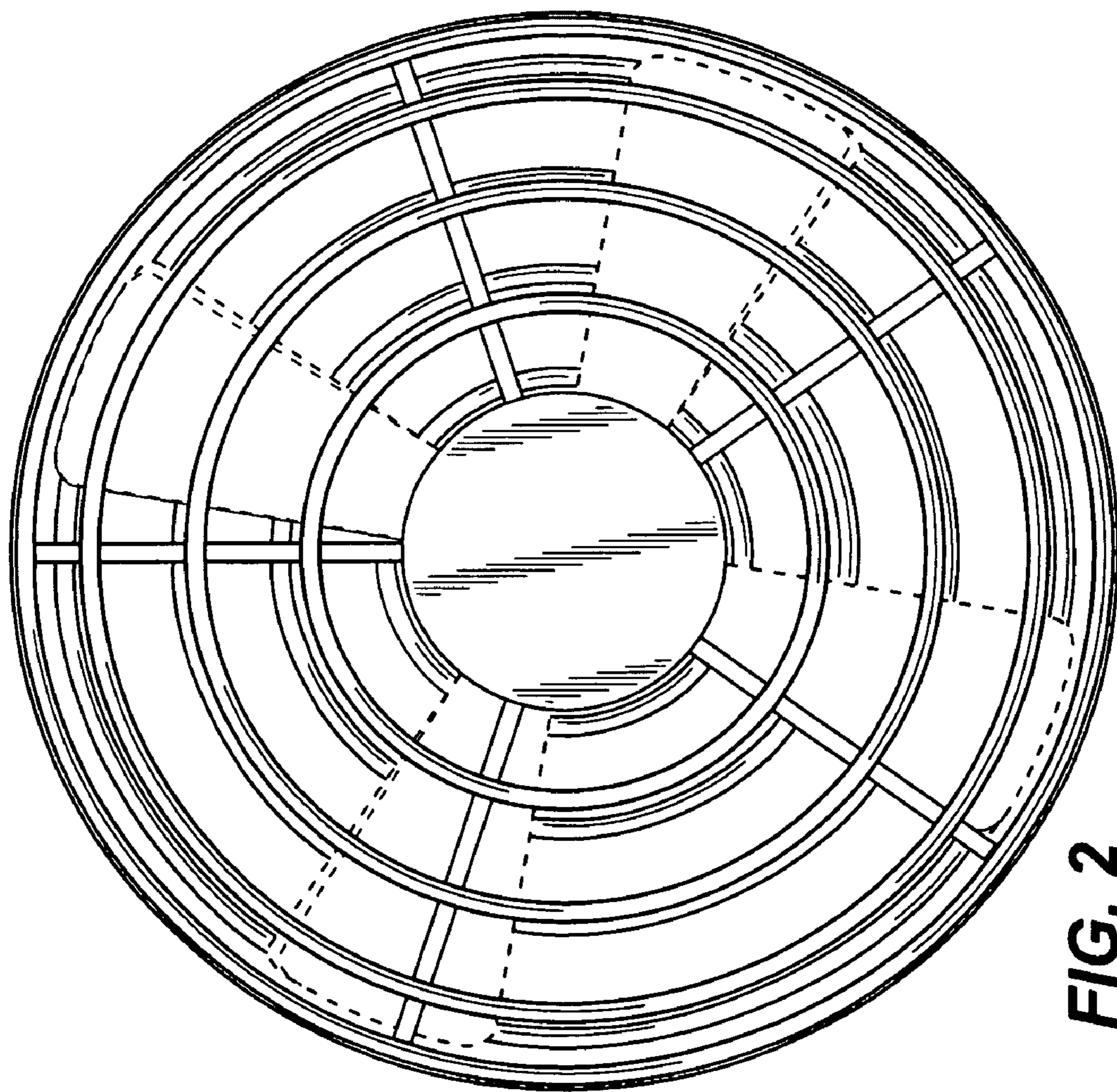
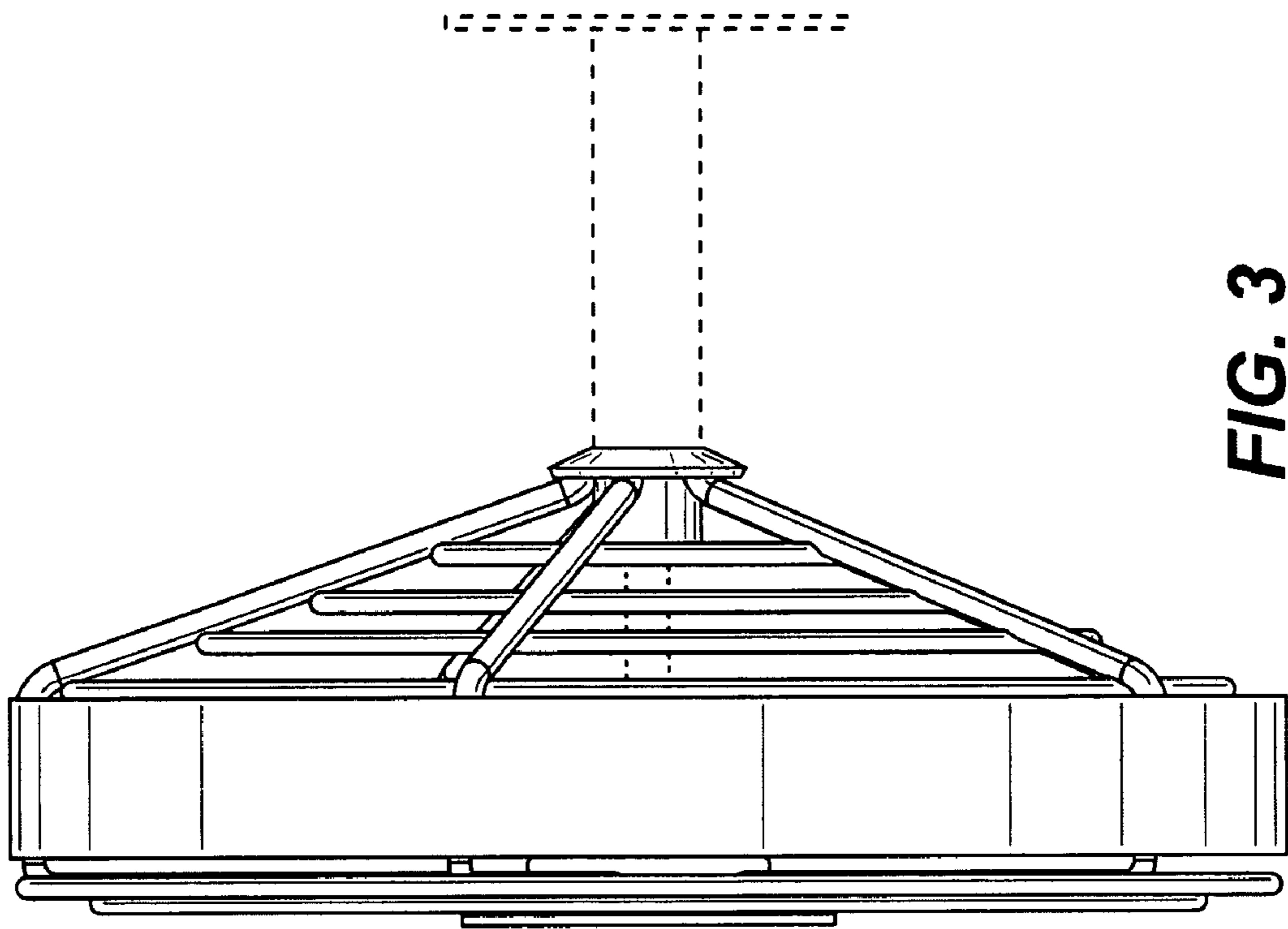


FIG. 3

FIG. 2

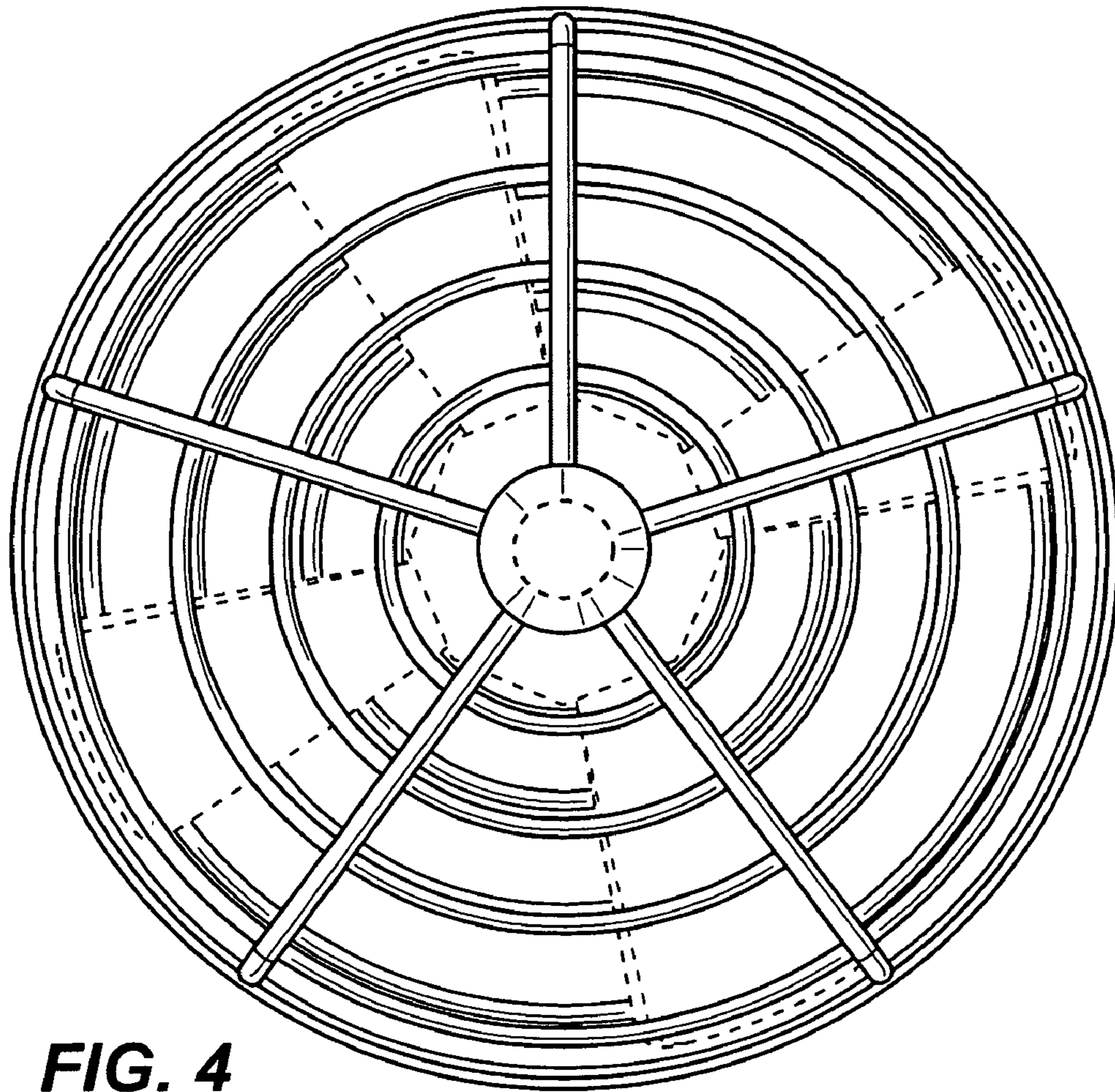


FIG. 4

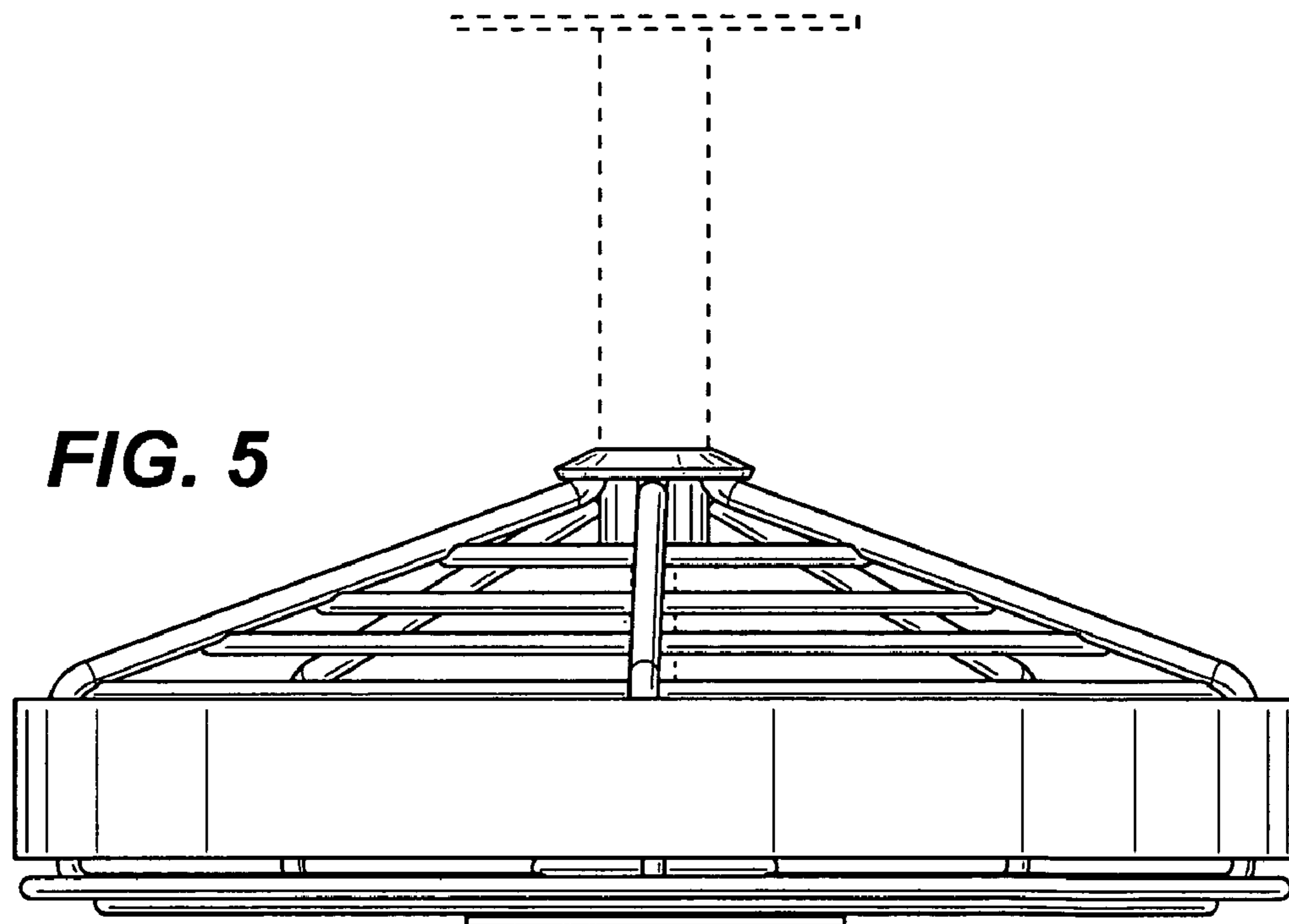


FIG. 5

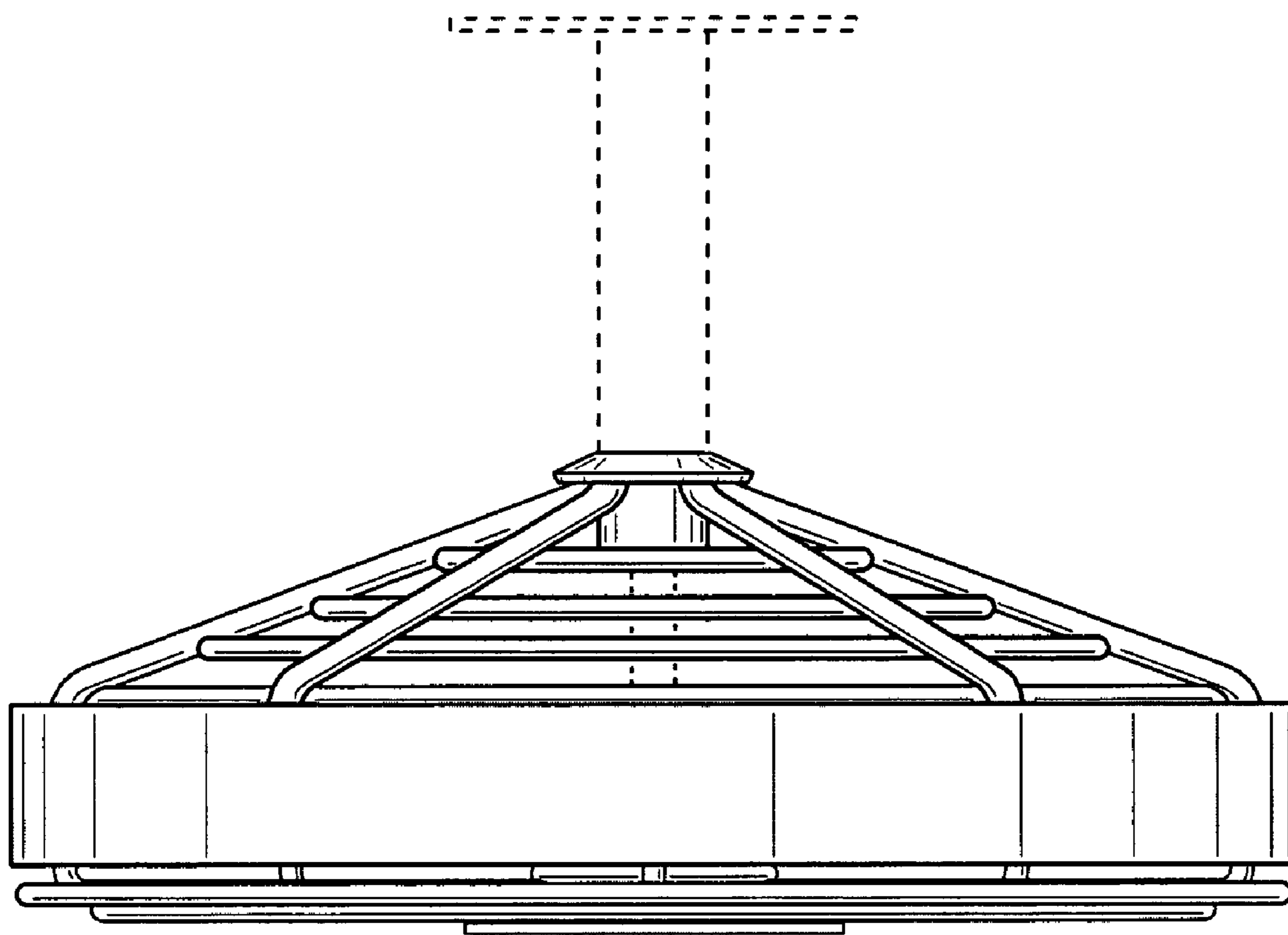


FIG. 6