



US00D599468S

(12) **United States Design Patent**  
**Yang**

(10) **Patent No.:** **US D599,468 S**  
(45) **Date of Patent:** **\*\* Sep. 1, 2009**

(54) **CEILING FAN MOTOR HOUSING**  
(75) Inventor: **Helen Yang**, Rowland Heights, CA (US)  
(73) Assignee: **Air Cool Industrial Co., Ltd.**, Taichung (TW)  
(\*\*) Term: **14 Years**  
(21) Appl. No.: **29/331,144**  
(22) Filed: **Jan. 21, 2009**

D417,494 S 12/1999 Evans  
D417,499 S 12/1999 Zuege  
6,059,531 A 5/2000 Tai  
6,135,618 A 10/2000 Tai  
D435,643 S 12/2000 Williams  
D441,122 S \* 4/2001 Dolan ..... D26/86  
D441,442 S 5/2001 Williams  
6,259,025 B1 7/2001 Tai  
D451,993 S 12/2001 Hsieh  
6,379,116 B1 4/2002 Tai  
D457,619 S 5/2002 Hsieh

(51) **LOC (9) Cl.** ..... **23-04**  
(52) **U.S. Cl.** ..... **D23/411**  
(58) **Field of Classification Search** ..... D23/377,  
D23/379, 385, 411, 413; 416/5  
See application file for complete search history.

(Continued)

*Primary Examiner*—Lisa P Lichtenstein  
(74) *Attorney, Agent, or Firm*—Morrison & Foerster LLP

(56) **References Cited**

(57) **CLAIM**

U.S. PATENT DOCUMENTS

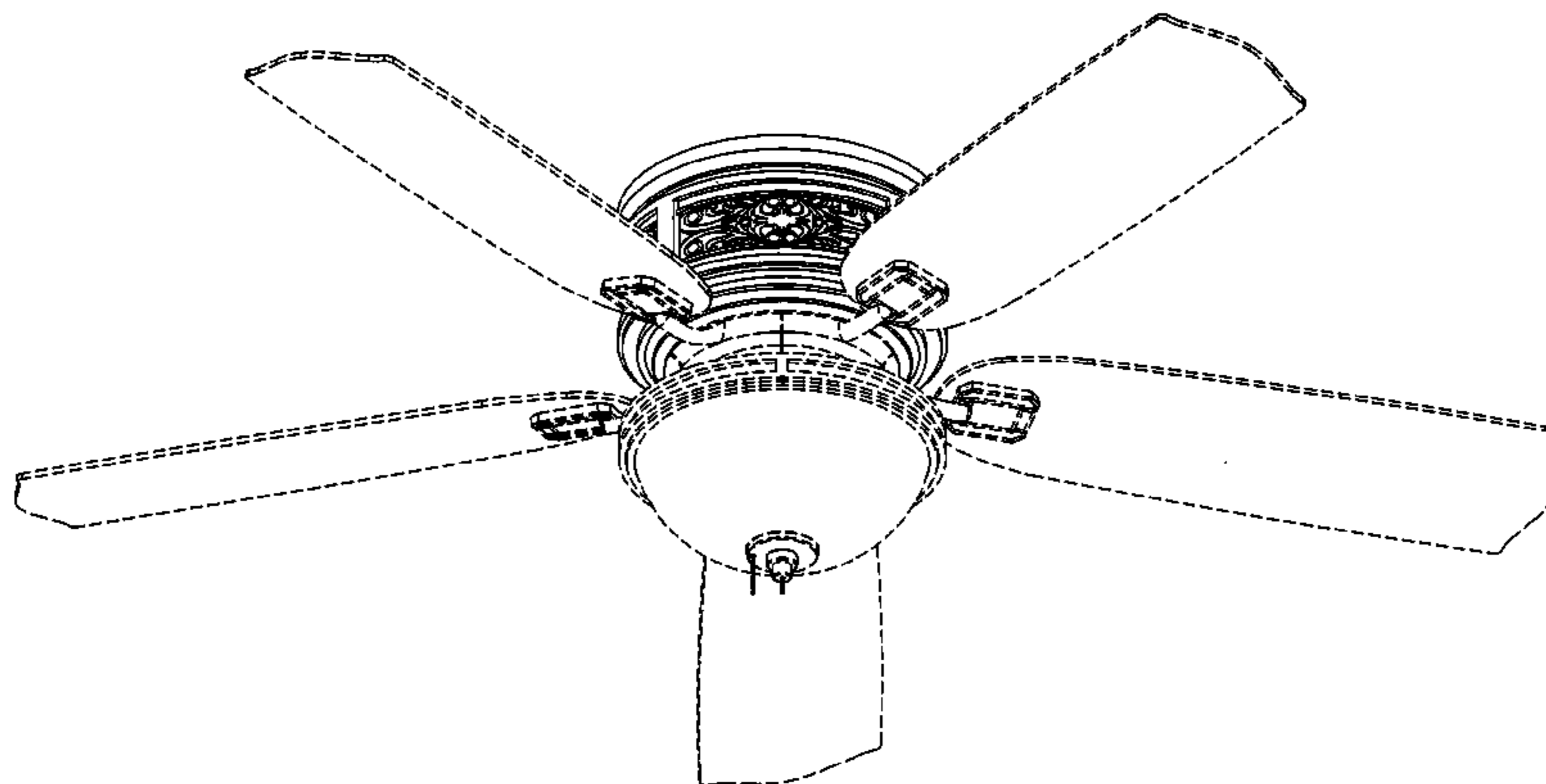
The ornamental design for a ceiling fan motor housing, as shown and described.

- D102,906 S 1/1937 Lescaze
- D287,518 S 12/1986 Ohno
- D294,604 S 3/1988 Shibukawa
- D346,210 S 4/1994 Holbrook
- D359,553 S 6/1995 Hsi
- 5,458,464 A 10/1995 Lee
- D367,321 S 2/1996 Holbrook
- D369,405 S 4/1996 Holbrook
- 5,508,484 A 4/1996 Chen
- D376,004 S 11/1996 Tsuji
- D376,421 S 12/1996 Jaspers-Fayer
- D383,529 S 9/1997 Tsuji
- D388,870 S 1/1998 Holbrook
- D396,530 S 7/1998 Tai
- D401,322 S 11/1998 Liu
- D404,808 S 1/1999 Tai
- D404,809 S 1/1999 Tai
- D405,878 S 2/1999 Tai
- D408,073 S 4/1999 Tai
- D408,074 S 4/1999 Tai
- D408,516 S 4/1999 Tai
- D409,297 S 5/1999 Tai
- 5,944,487 A 8/1999 Pearce
- D414,860 S 10/1999 Thomas
- D415,303 S 10/1999 Lin

**DESCRIPTION**

FIG. 1 is a perspective view of a ceiling fan providing an environment of a motor housing;  
FIG. 2 is an enlarged perspective view of the motor housing in accordance with the present invention;  
FIG. 3 is another enlarged perspective view of the motor housing in accordance with the present invention;  
FIG. 4 is an enlarged bottom view of the motor housing in accordance with the present invention;  
FIG. 5 is an enlarged side view of a motor housing in accordance with the present invention; and,  
FIG. 6 is another enlarged side view of a motor housing in accordance with the present invention.  
The broken line showing of portions of a ceiling fan and portions of a ceiling fan motor housing is included for the purpose of illustrating environmental structure and forms no part of the claimed design.

**1 Claim, 6 Drawing Sheets**



# US D599,468 S

Page 2

## U.S. PATENT DOCUMENTS

<p>D457,947 S      5/2002   Tai          6,392,146 B1    5/2002   Tai          D458,675 S     6/2002   Tai          D460,208 S     7/2002   Dolan          D476,410 S     6/2003   Young          D478,381 S     8/2003   Tai          D479,872 S     9/2003   Young          D480,797 S     10/2003   Young          D480,800 S     10/2003   Stauffer          D481,455 S     10/2003   Young          D483,463 S     12/2003   Tai          D483,464 S     12/2003   Tai          D483,465 S     12/2003   Tai          D483,847 S     12/2003   Tai          D483,848 S     12/2003   Tai          D483,849 S     12/2003   Tai          D483,850 S     12/2003   Tai          D484,269 S     12/2003   Hsu          D484,588 S     12/2003   Tai          D484,969 S     1/2004   Tai          D485,344 S     1/2004   Tai          D485,609 S     1/2004   Tai          D485,611 S     1/2004   Tai          D485,897 S     1/2004   Tai          D486,215 S     2/2004   Hsieh          D487,506 S     3/2004   Burns          D489,445 S     5/2004   Burns          D489,471 S     5/2004   Huang          D490,888 S     6/2004   Tai          D494,705 S     8/2004   Tai          D501,578 S     2/2005   Tai          D503,472 S     3/2005   Tai          D503,473 S     3/2005   Tai          D503,474 S     3/2005   Tai          D503,475 S     3/2005   Tai          D503,476 S     3/2005   Tai          D503,795 S     4/2005   Tai          D504,173 S     4/2005   Cohen          D504,362 S     4/2005   Pickett          D504,502 S     4/2005   Young          D505,197 S     5/2005   Tai          D505,724 S     5/2005   Tai          D507,644 S     7/2005   Tai          D507,830 S     7/2005   Pan          D510,428 S     10/2005   Hidalgo          D510,623 S     10/2005   Tai          D510,624 S     10/2005   Graham          D510,999 S     10/2005   Thomas          D515,199 S     2/2006   Hidalgo          D516,704 S     3/2006   Pickett          D517,201 S     3/2006   Gajewski          D518,567 S     4/2006   Hidalgo</p>	<p>D518,887 S      4/2006   Tai          D520,630 S      5/2006   Pickett          D525,355 S      7/2006   Hidalgo          D525,700 S      * 7/2006   Ertze ..... D23/411          D525,701 S      7/2006   Glasbrenner          D526,714 S      8/2006   Hidalgo          D527,090 S      8/2006   Pan          D527,454 S      8/2006   Hidalgo          D530,811 S      10/2006   Ertze          D531,298 S      10/2006   Hidalgo          D531,305 S      10/2006   Glasbrenner          D531,307 S      10/2006   Shurtleff          D531,722 S      11/2006   Ertze          D532,901 S      11/2006   Ertze          D533,267 S      12/2006   Pan          D535,385 S      1/2007   Pickett          D536,466 S      2/2007   Pan          D539,896 S      4/2007   Pan          D540,460 S      4/2007   Pickett          D541,409 S      4/2007   Ertze          D541,410 S      4/2007   Ertze          D543,268 S      5/2007   Ertze          D543,302 S      5/2007   Ertze          D545,422 S      6/2007   Glasbrenner          D546,439 S      7/2007   Glasbrenner          D546,936 S      7/2007   Ertze          D547,433 S      7/2007   Wang          D547,435 S      7/2007   Lee          D547,857 S      7/2007   Lee          D551,755 S      9/2007   Shurtleff          D552,777 S      10/2007   Pan          D554,250 S      10/2007   Shurtleff          D554,251 S      10/2007   Shurtleff          D556,890 S      * 12/2007   Brookins ..... D23/411          D558,328 S      12/2007   Badarello          D559,971 S      1/2008   Frampton          D561,328 S      2/2008   Hidalgo          D564,651 S      3/2008   Pan          D564,652 S      3/2008   Pan          D565,221 S      3/2008   Pan          D567,361 S      * 4/2008   Curtin ..... D23/411          D569,964 S      5/2008   Ertze          D570,022 S      5/2008   Ertze          D571,452 S      6/2008   Ertze          D572,815 S      * 7/2008   Hidalgo ..... D23/411          D573,242 S      7/2008   Pan          D573,243 S      7/2008   Pan          D573,245 S      7/2008   Pan          D573,737 S      7/2008   Lee          D578,636 S      10/2008   Pan          D580,044 S      11/2008   Ertze</p>
---	---

\* cited by examiner

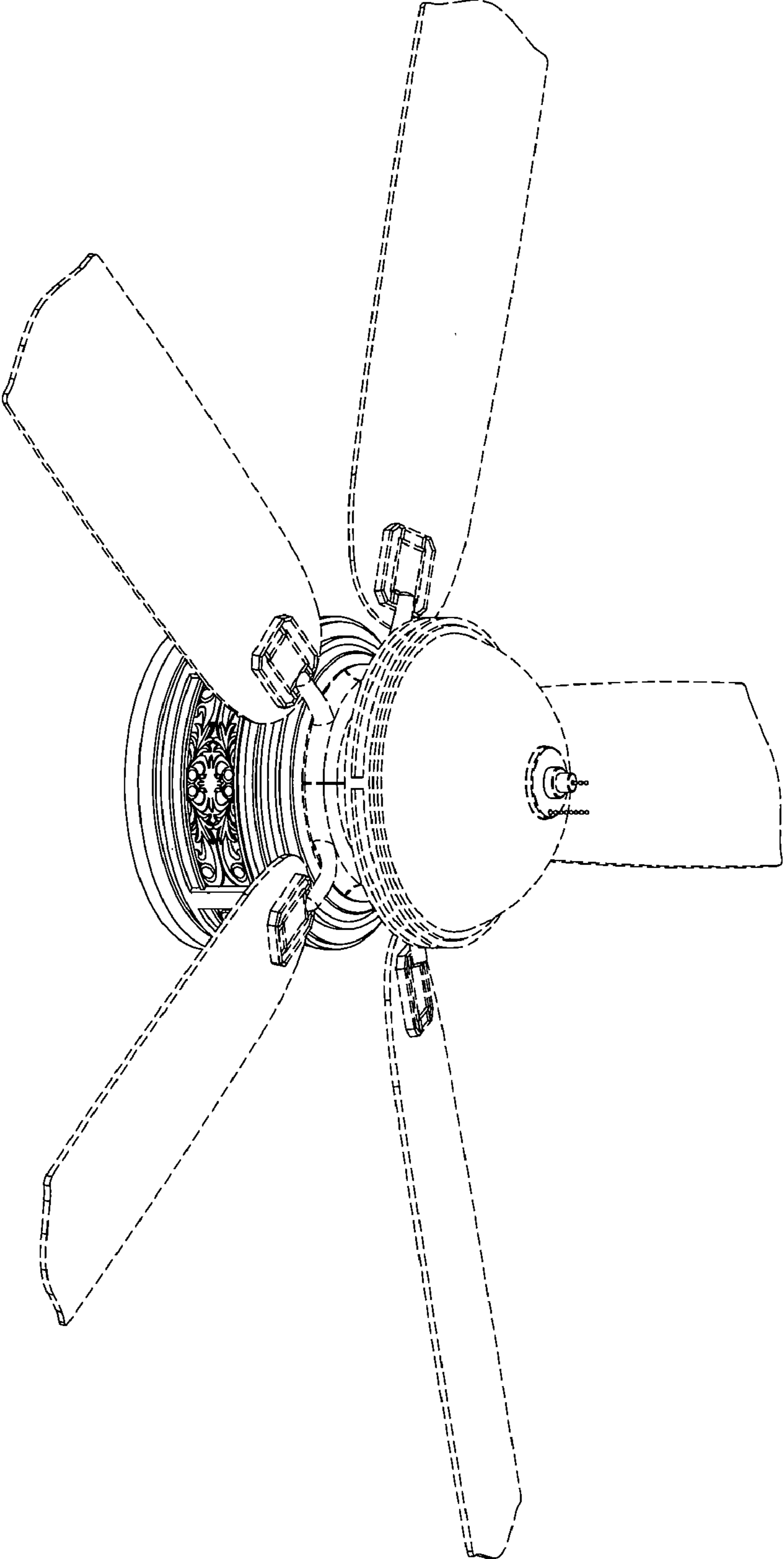


FIG. 1

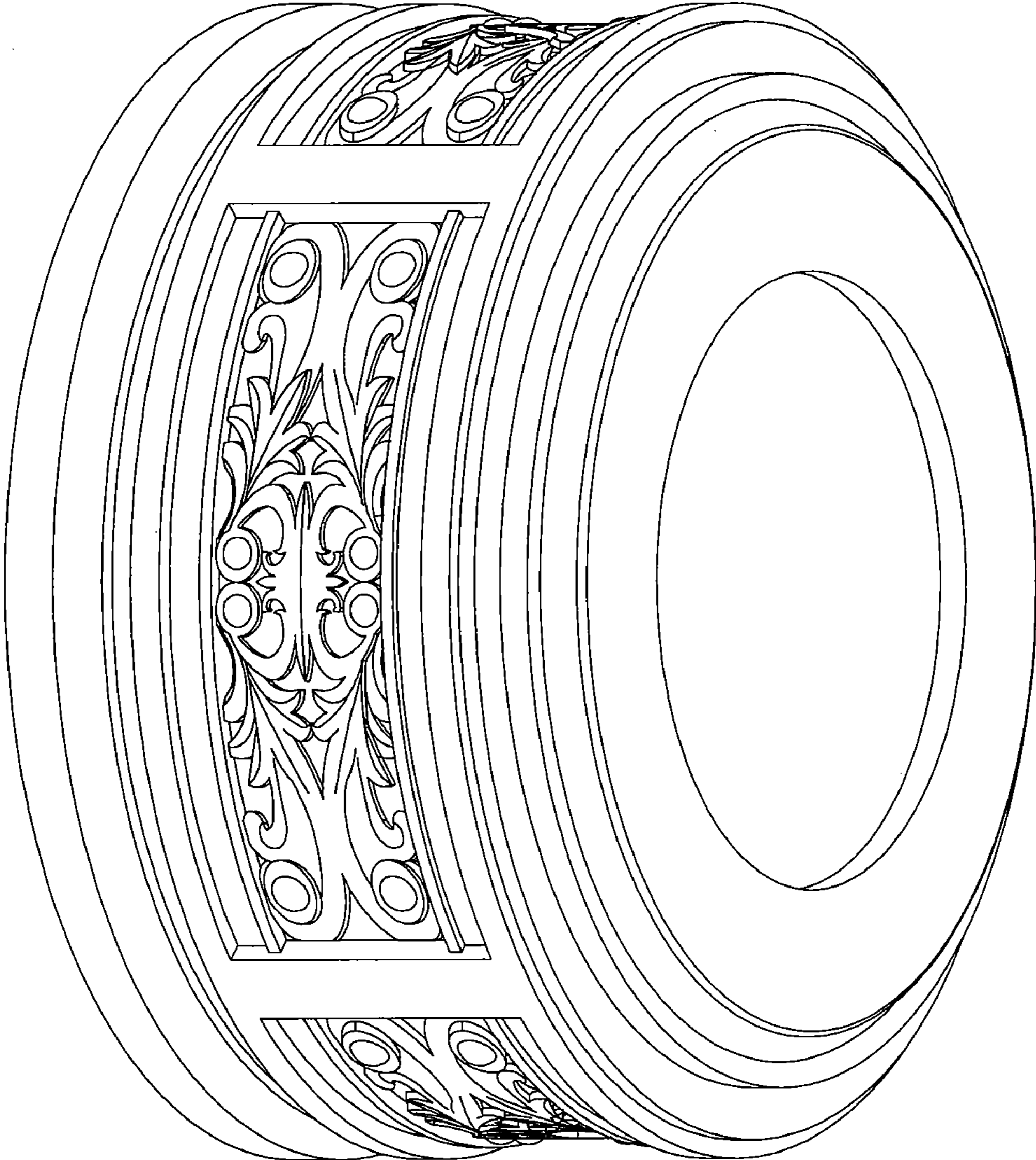


FIG. 2

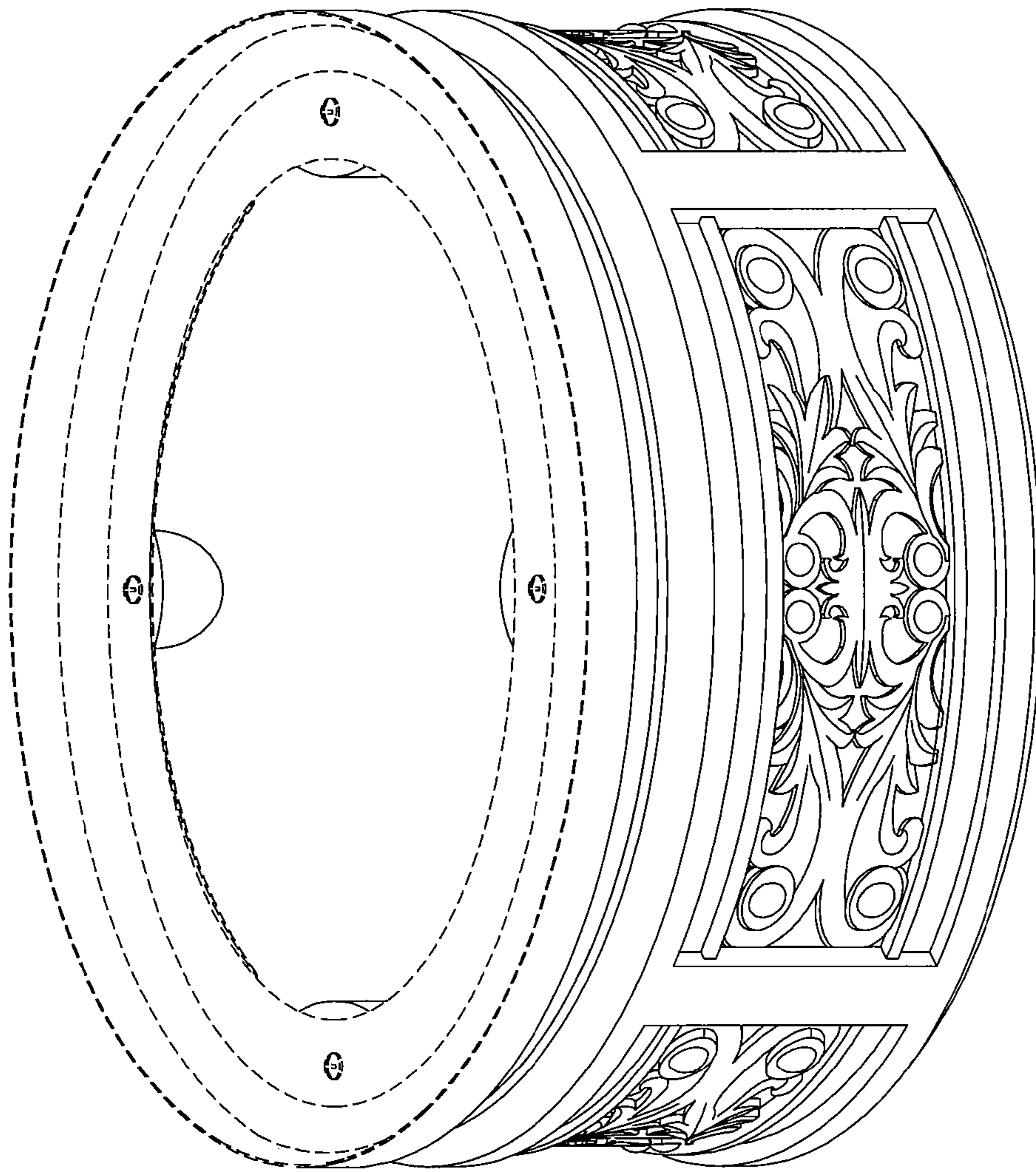


FIG. 3

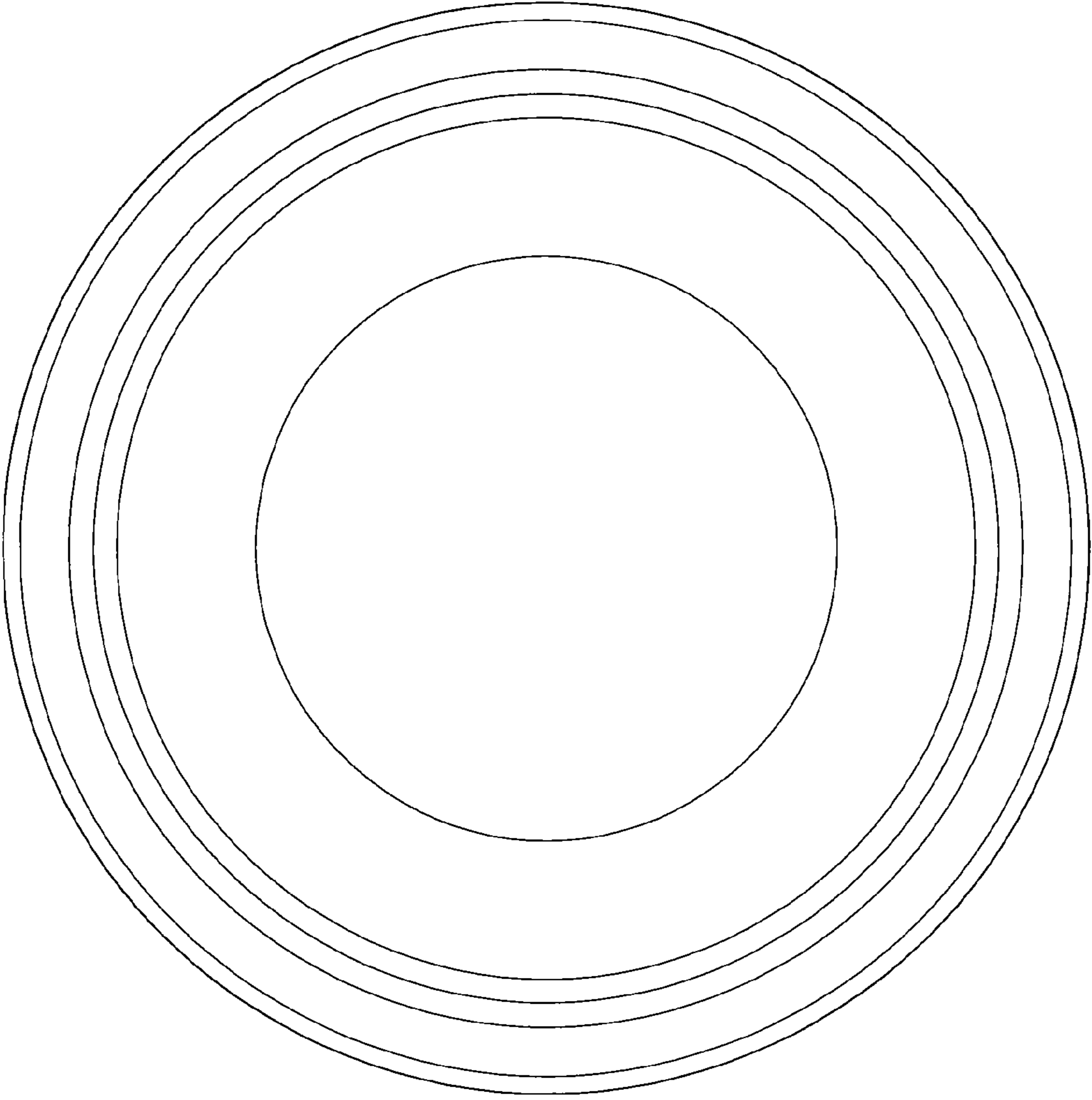


FIG. 4

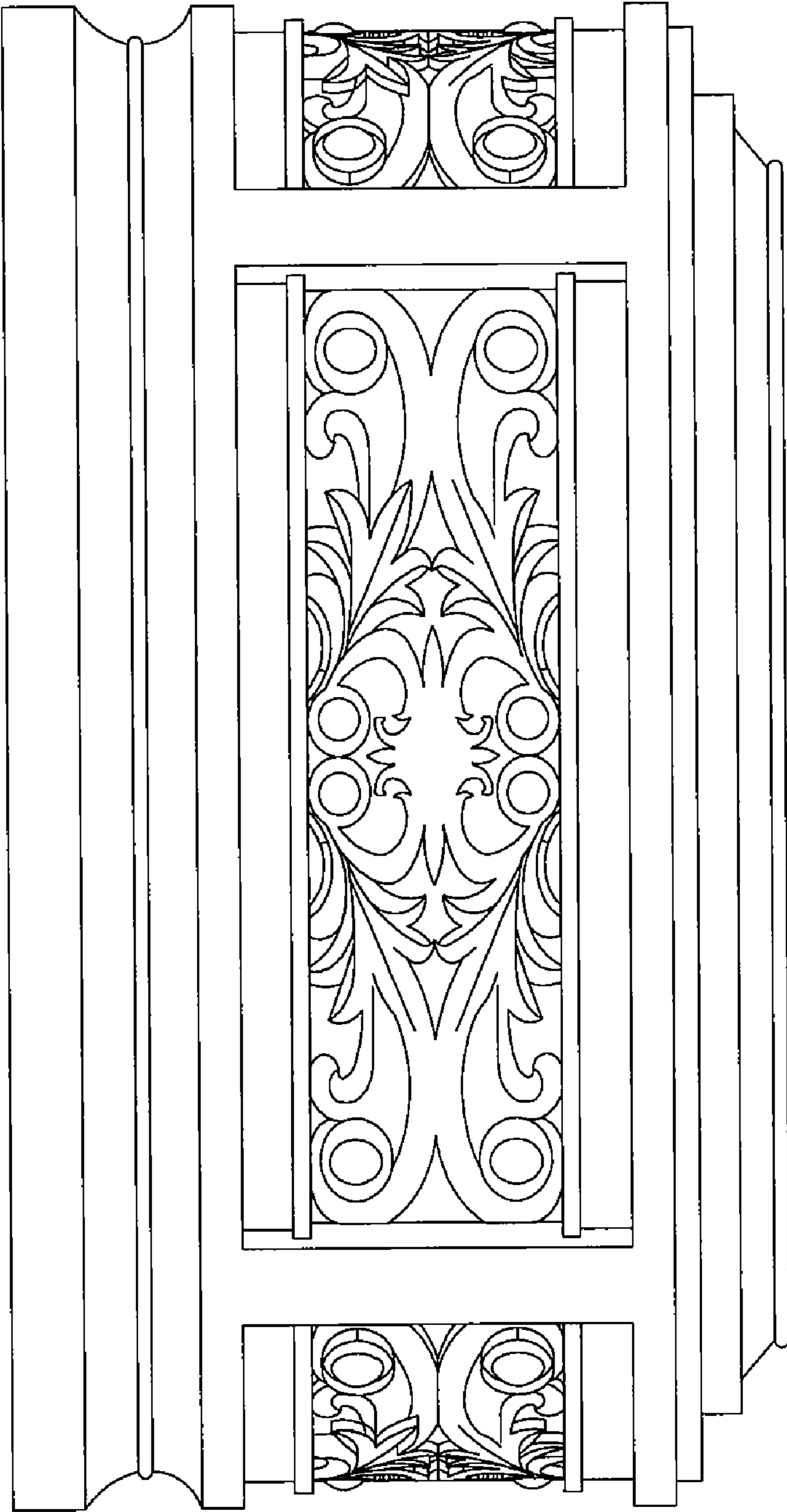


FIG. 5

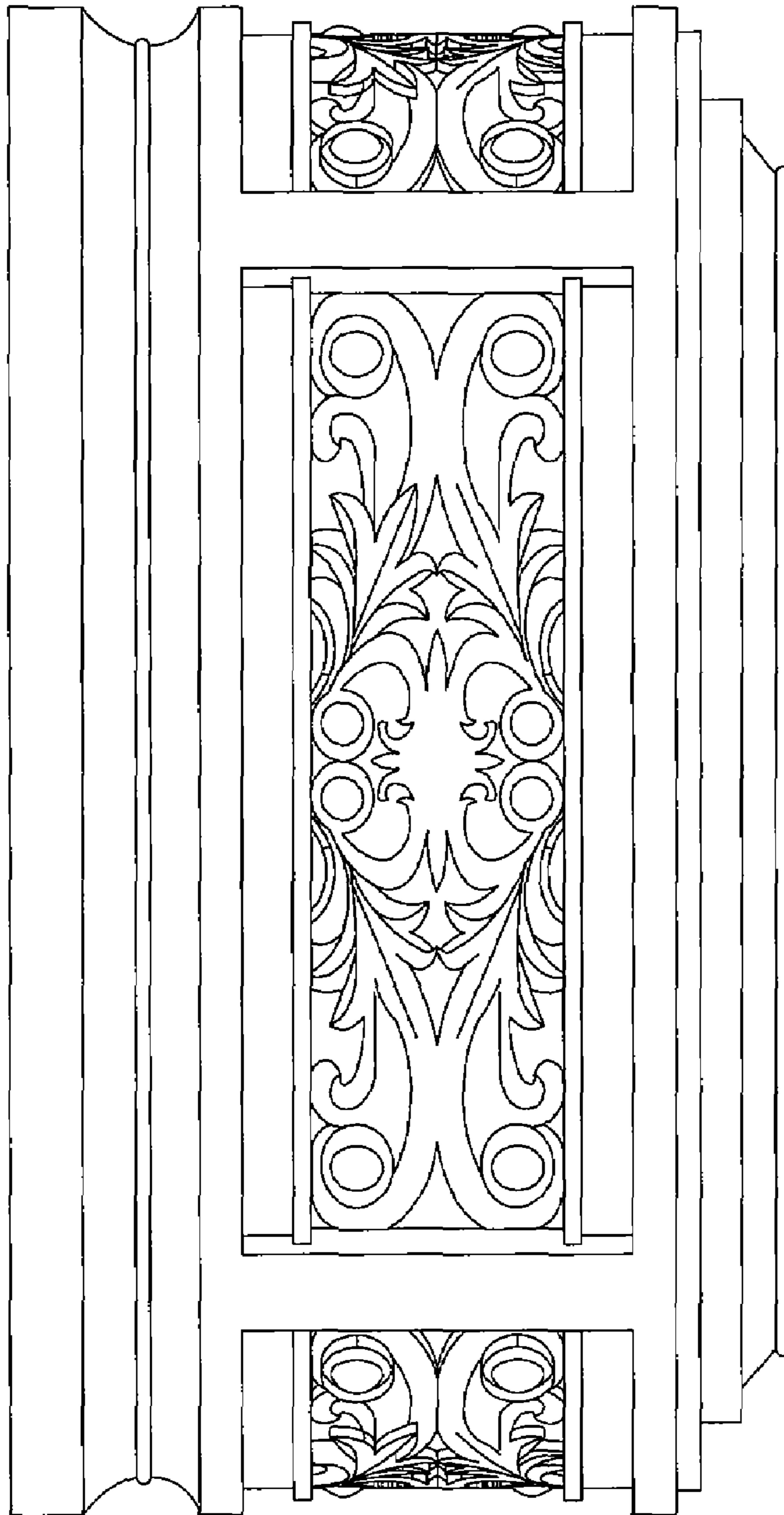


FIG. 6