



US00D599466S

(12) **United States Design Patent**  
**Flores**

(10) **Patent No.:** **US D599,466 S**  
(45) **Date of Patent:** **\*\* Sep. 1, 2009**

(54) **HOUSING**

(75) Inventor: **Miguel Flores**, Riverside, CA (US)

(73) Assignee: **Minka Lighting, Inc.**, Corona, CA (US)

(\*\*) Term: **14 Years**

(21) Appl. No.: **29/250,236**

(22) Filed: **Nov. 7, 2006**

(51) **LOC (9) Cl.** ..... **23-04**

(52) **U.S. Cl.** ..... **D23/411**

(58) **Field of Classification Search** ..... D23/377,  
D23/379, 385, 411, 413; 416/5; D26/59,  
D26/51, 72, 80-86, 73

See application file for complete search history.

(56) **References Cited**

**U.S. PATENT DOCUMENTS**

D367,927 S \* 3/1996 Dolan ..... D23/411  
D570,994 S \* 6/2008 Hidalgo ..... D23/411  
D585,538 S \* 1/2009 Hidalgo ..... D23/411

**OTHER PUBLICATIONS**

U.S. Appl. No. 29/250,233.

U.S. Appl. No. 29/250,235.

MinkaAire Internet Catalog; Volterra ceiling fan; Model F-702; printed from minkagroup.net.

MinkaAire Internet Catalog; Calais ceiling fan; Model F-544; printed from minkagroup.net.

Minka Lavery Internet Catalog; Treville light fixture; Model 1373-196C; printed from minkagroup.net.

Monte Carlo Internet Catalog; Big Sur ceiling fan; Model MC-5BGR56BSD; printed from hansenwholesale.com.

Craftmade Internet Catalog; Constantina ceiling fan; Model CF-CT52RI; printed from hansenwholesale.com.

Craftmade Internet Catalog; Epic ceiling fan; Model CF-EP700B; printed from hansenwholesale.com.

Monte Carlo Internet Catalog; Arch ceiling fan; Model MC-5AHR60BSD; printed from hansenwholesale.com.

Murray Feiss Internet Catalog; 3-Light Le Fleur De Lis; Model #FM237WAL; printed from feiss.com.

Shade pattern on antique table lamp at Hearst Castle; photographed in late 2004 by inventor.

MinkaAire Internet Catalog; Treville ceiling fan; Model F-719; printed from minkagroup.net.

\* cited by examiner

*Primary Examiner*—Lisa P Lichtenstein

(74) *Attorney, Agent, or Firm*—Baker & McKenzie LLP

(57) **CLAIM**

The ornamental design for a housing, as shown and described.

**DESCRIPTION**

FIG. 1 is a perspective view from below of a housing in accordance with my design;

FIG. 2 is a reduced top plan view of the housing in accordance with my design;

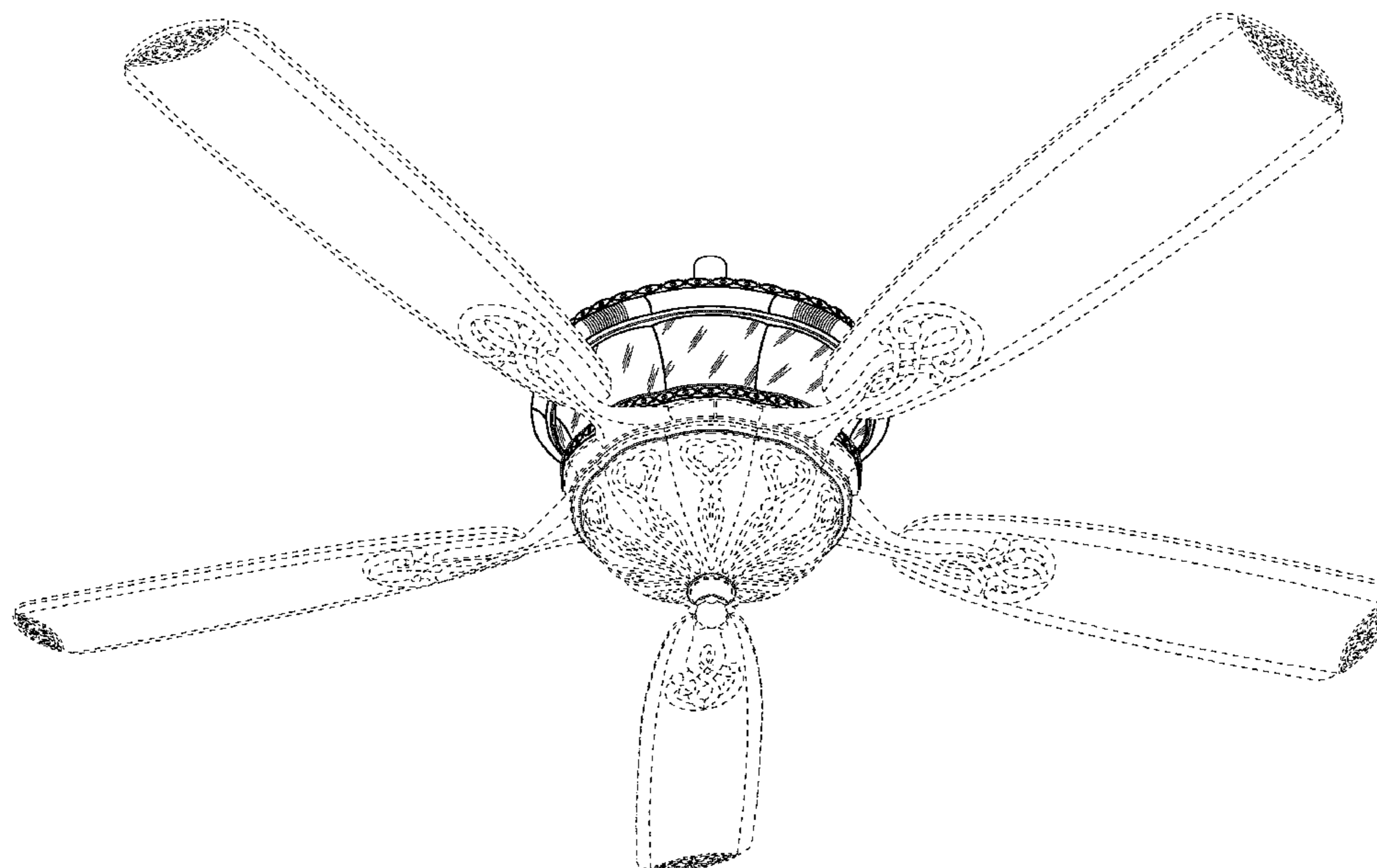
FIG. 3 is a reduced bottom plan view of the housing in accordance with my design;

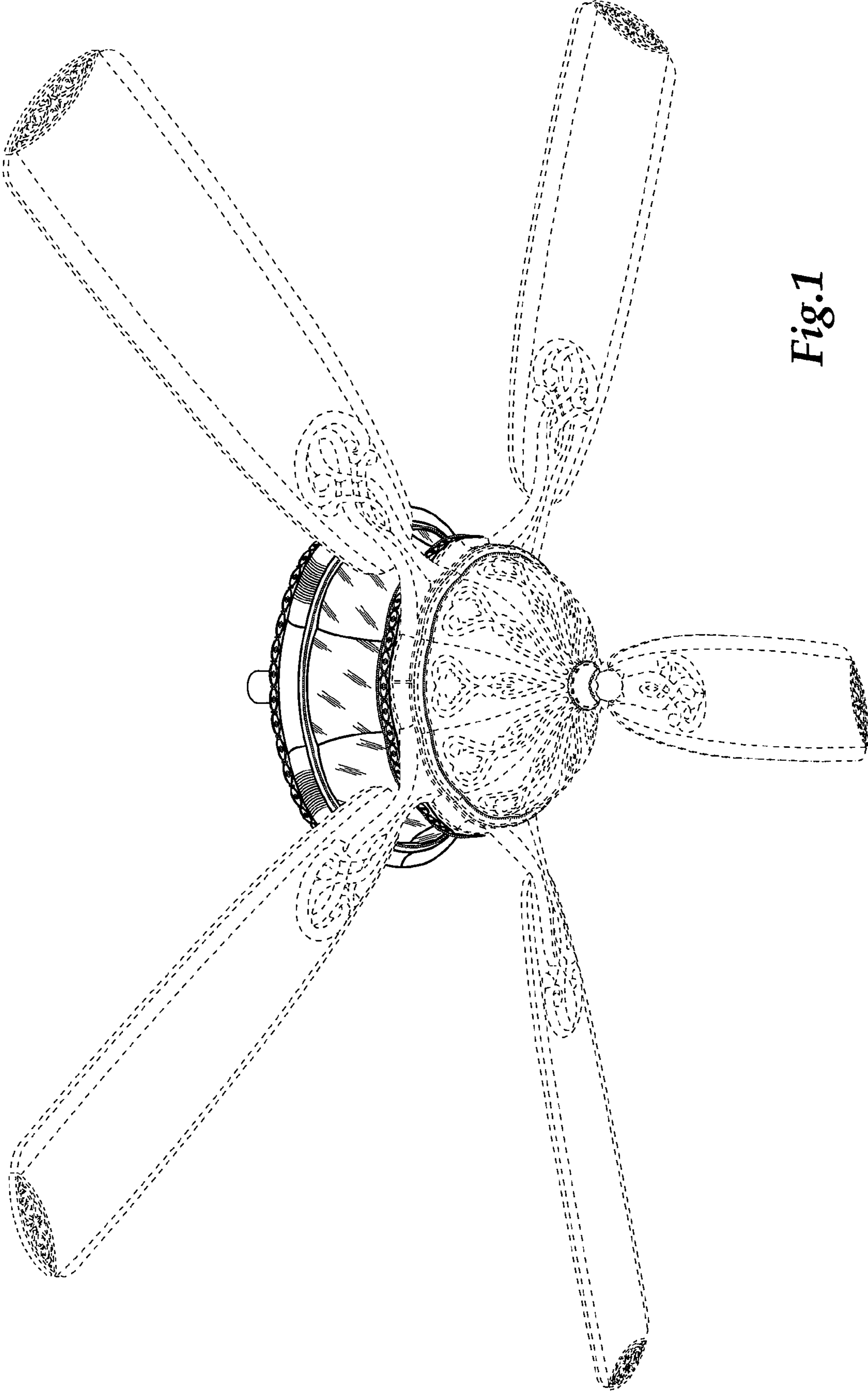
FIG. 4 is a greatly enlarged side elevation view of the housing in accordance with my design, all side views being substantially identical to that shown; and,

FIG. 5 is an enlarged side elevation view of the housing in accordance with my design, all side views being substantially identical to that shown.

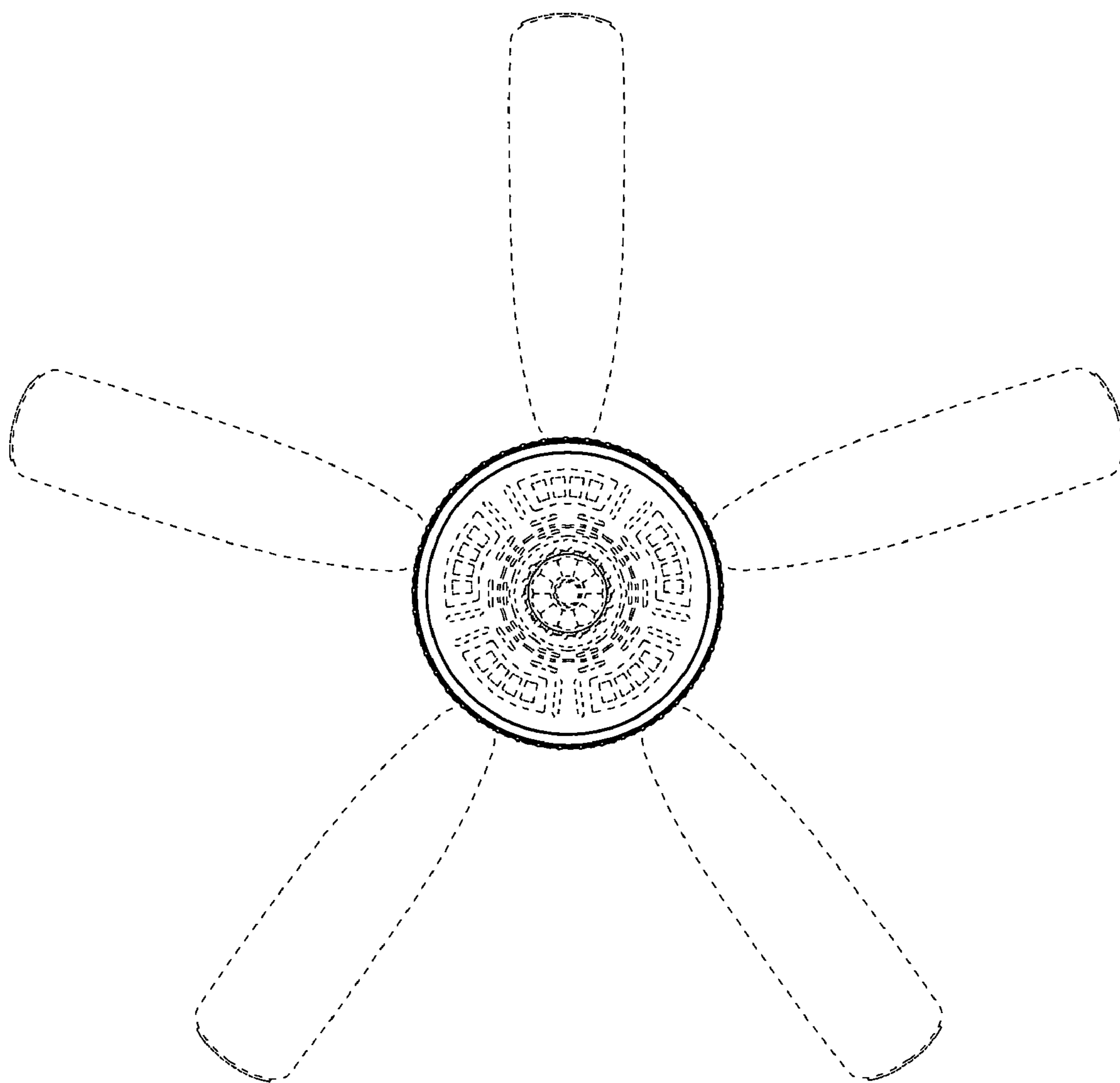
The broken line showing of the support rod, the upper portion of a ceiling fan housing, fan blades, fan blade ornamentation, finial, light fixture and blade irons is included for the purpose of illustrating environmental structure and forms no part of the claimed design.

**1 Claim, 5 Drawing Sheets**

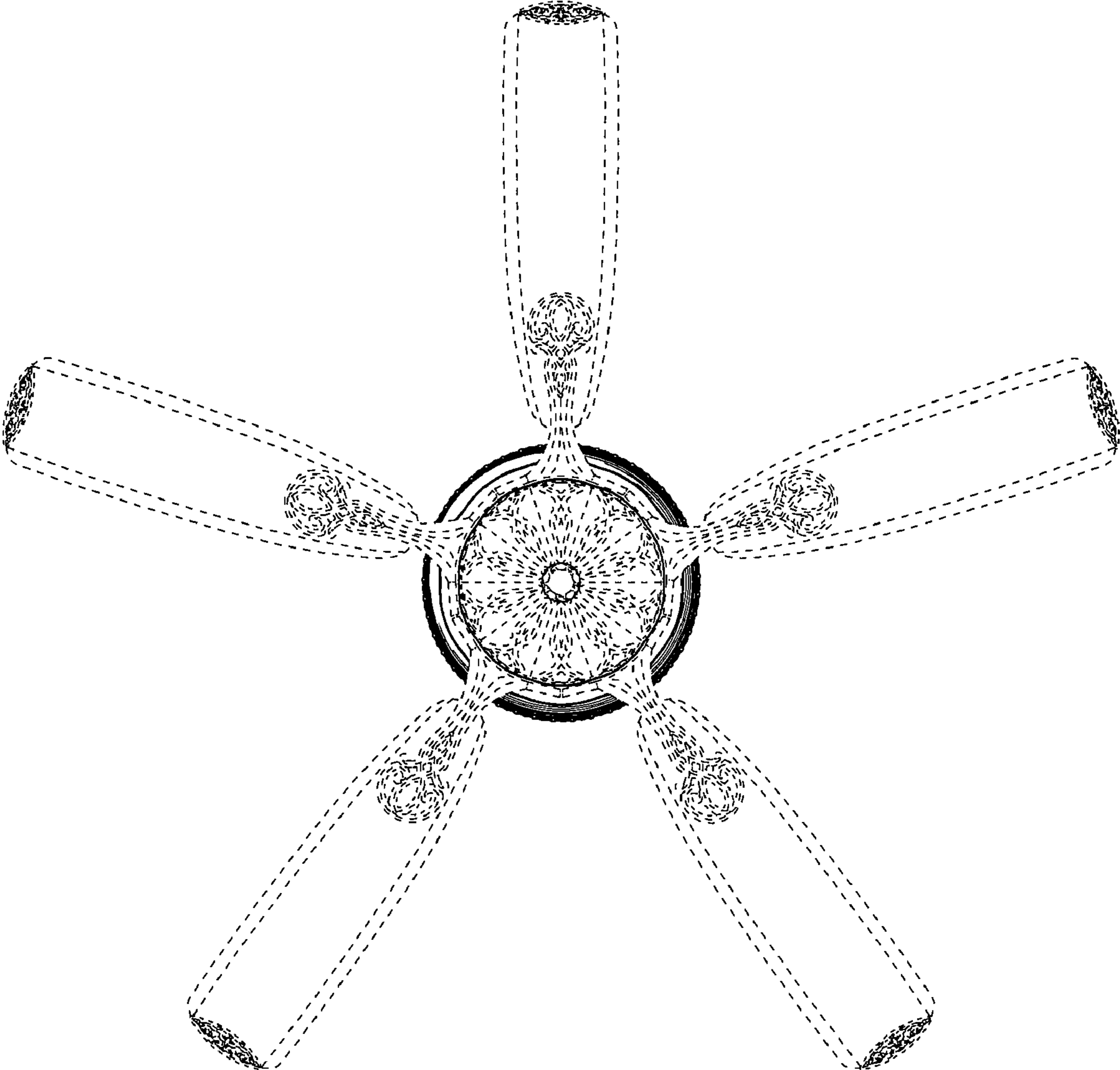




*Fig.1*



*Fig.2*



*Fig.3*

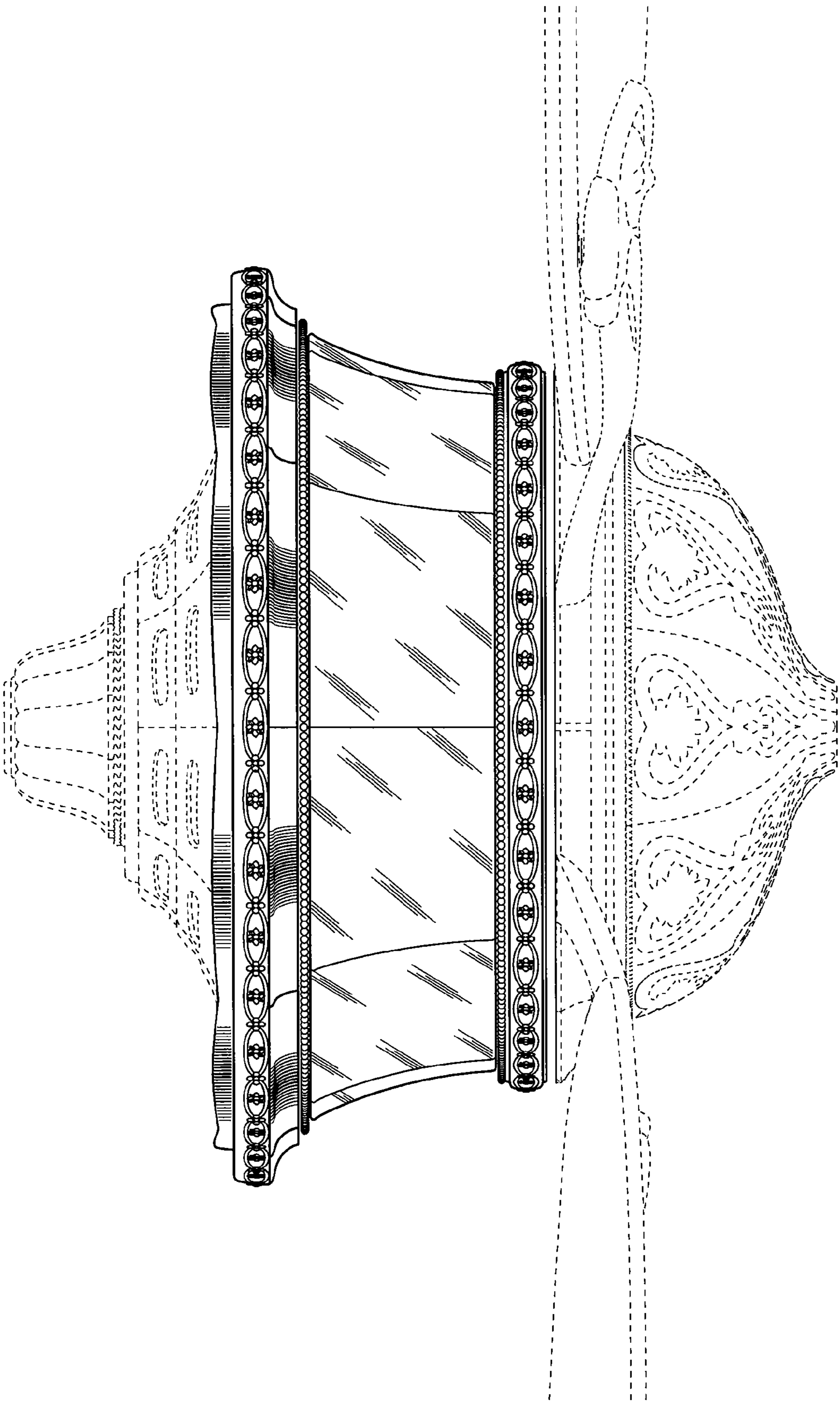


Fig.4

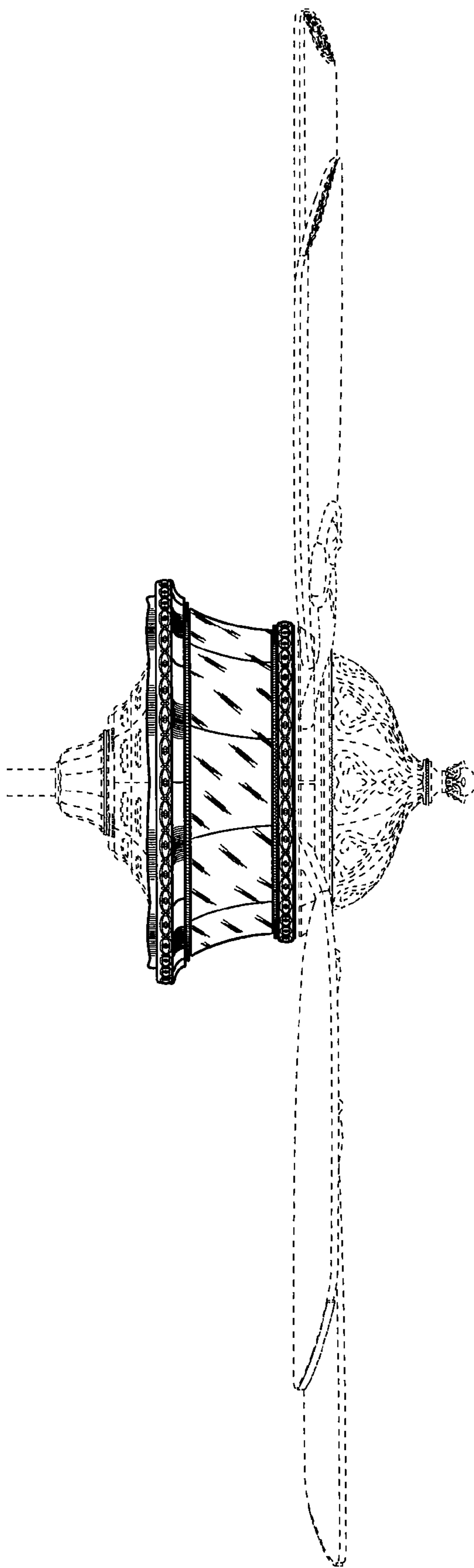


Fig. 5