



US00D599464S

(12) **United States Design Patent**
Noda

(10) **Patent No.:** **US D599,464 S**

(45) **Date of Patent:** **** Sep. 1, 2009**

(54) **CENTRIFUGAL BLOWER**

D561,325 S * 2/2008 Shirahama et al. D23/370

(75) Inventor: **Hiroyuki Noda**, Kawagoe (JP)

* cited by examiner

(73) Assignee: **Husqvarna Zenoah Co., Ltd**,
Saitama-ken (JP)

Primary Examiner—Lisa P Lichtenstein

(74) *Attorney, Agent, or Firm*—Fox Rothschild, LLP

(**) Term: **14 Years**

(57) **CLAIM**

(21) Appl. No.: **29/332,771**

The ornamental design for a centrifugal blower, as shown.

(22) Filed: **Feb. 25, 2009**

DESCRIPTION

(30) **Foreign Application Priority Data**

Dec. 24, 2008 (JP) 2008-032705

FIG. 1 is a front perspective view of a centrifugal blower showing my new design;

(51) **LOC (9) Cl.** **23-04**

FIG. 2 is a rear perspective view thereof

(52) **U.S. Cl.** **D23/383**

FIG. 3 is a front view thereof;

(58) **Field of Classification Search** D23/370,
D23/383; 415/206, 208.1

FIG. 4 is a rear view thereof;

See application file for complete search history.

FIG. 5 is a top plan view thereof;

FIG. 6 is a bottom plan view thereof;

(56) **References Cited**

FIG. 7 is a right side elevational view thereof; and,

FIG. 8 is a left side elevational view thereof.

U.S. PATENT DOCUMENTS

6,553,923 B2 * 4/2003 Gatley, Jr. 110/162

6,604,906 B2 * 8/2003 Ozeki et al. 415/204

1 Claim, 8 Drawing Sheets

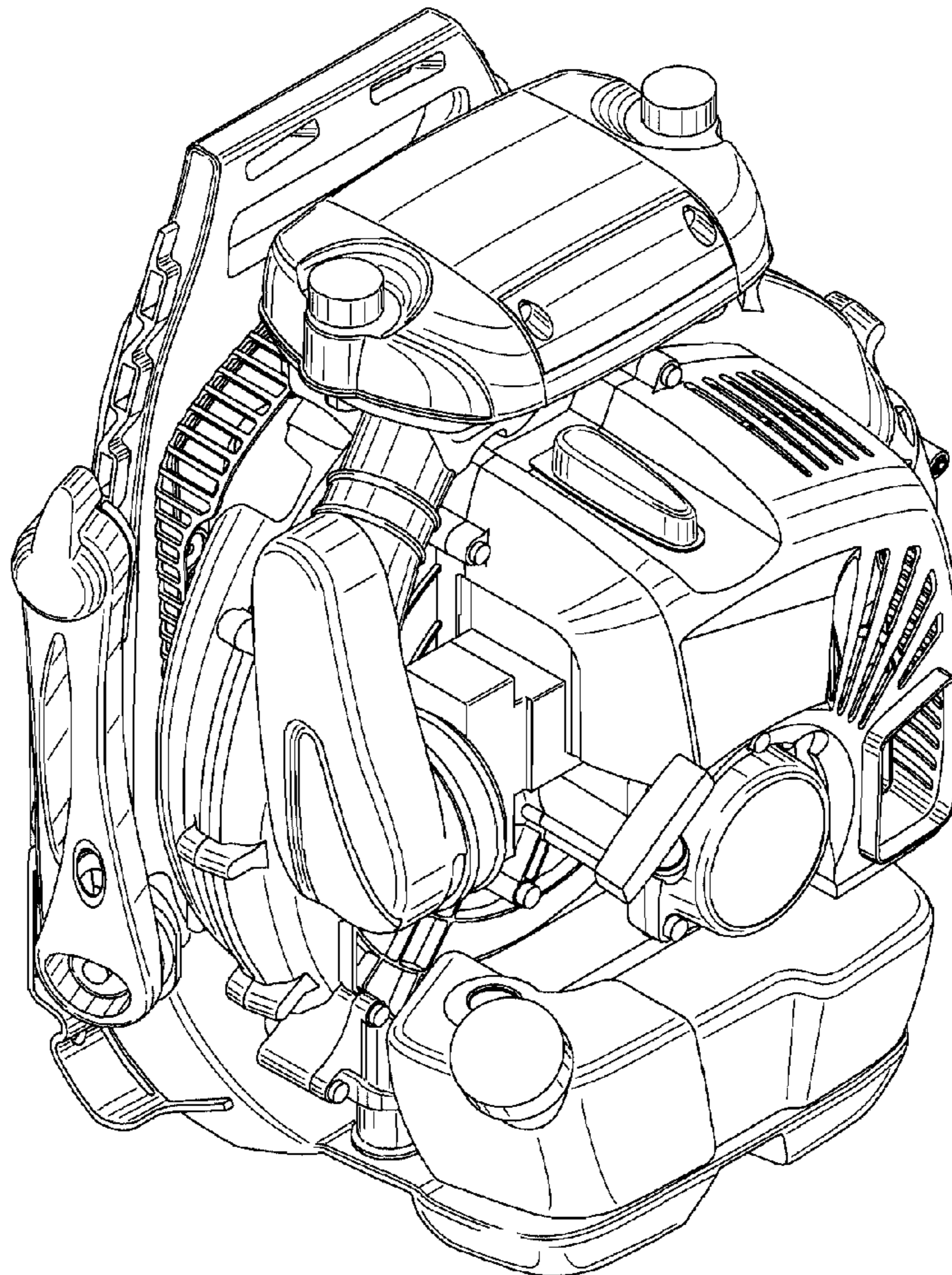


FIG. 1

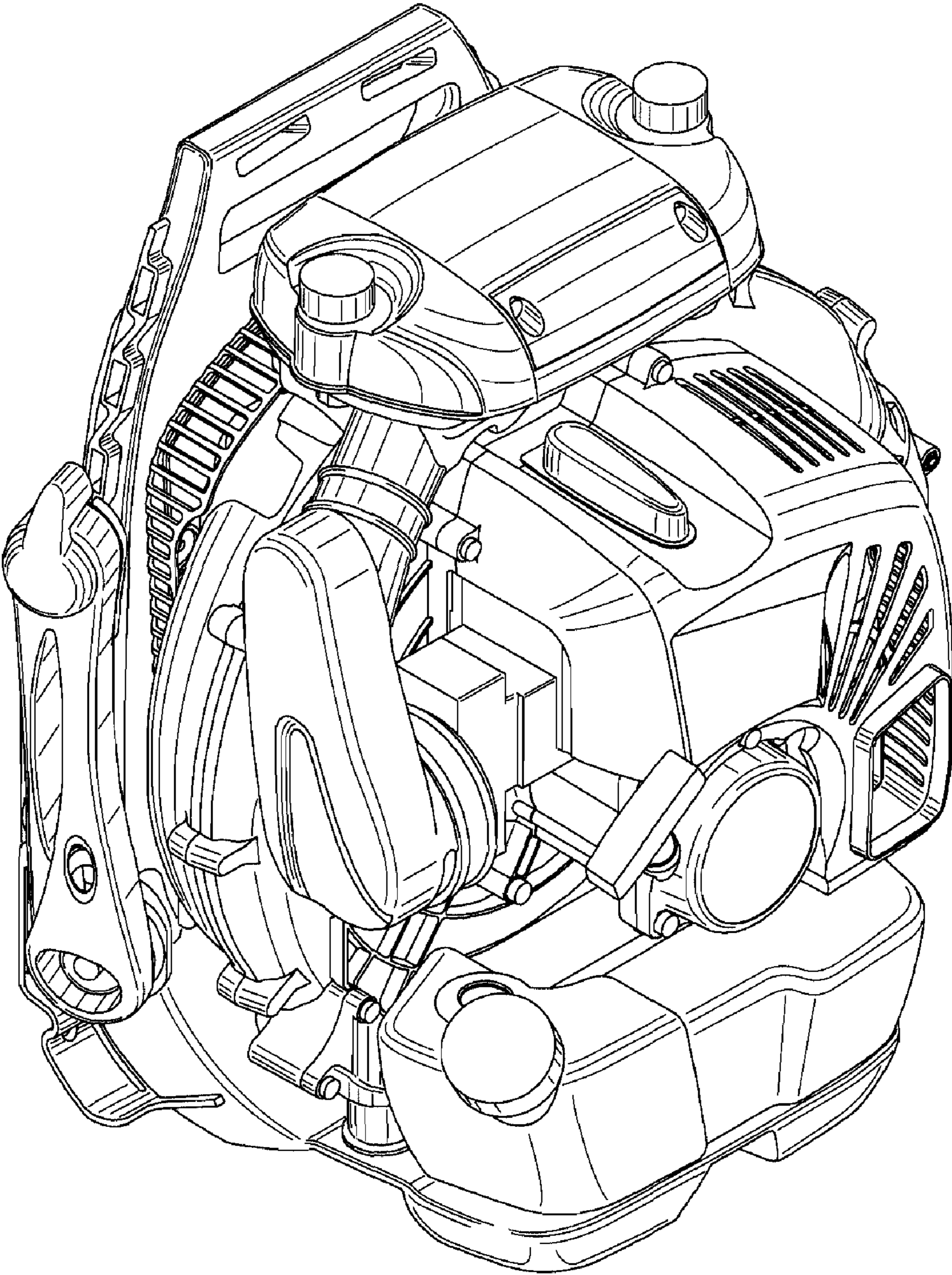


FIG. 2

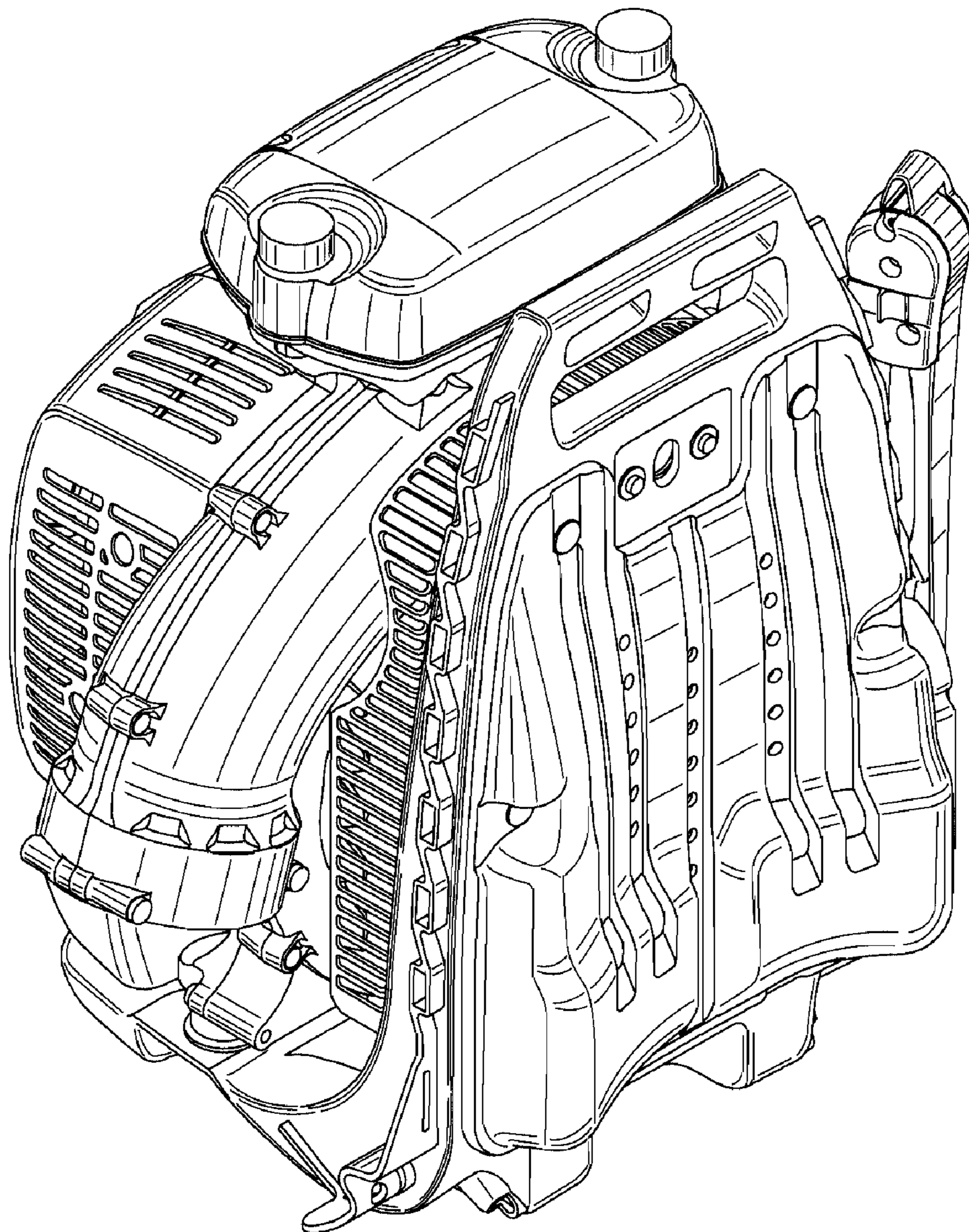


FIG. 3

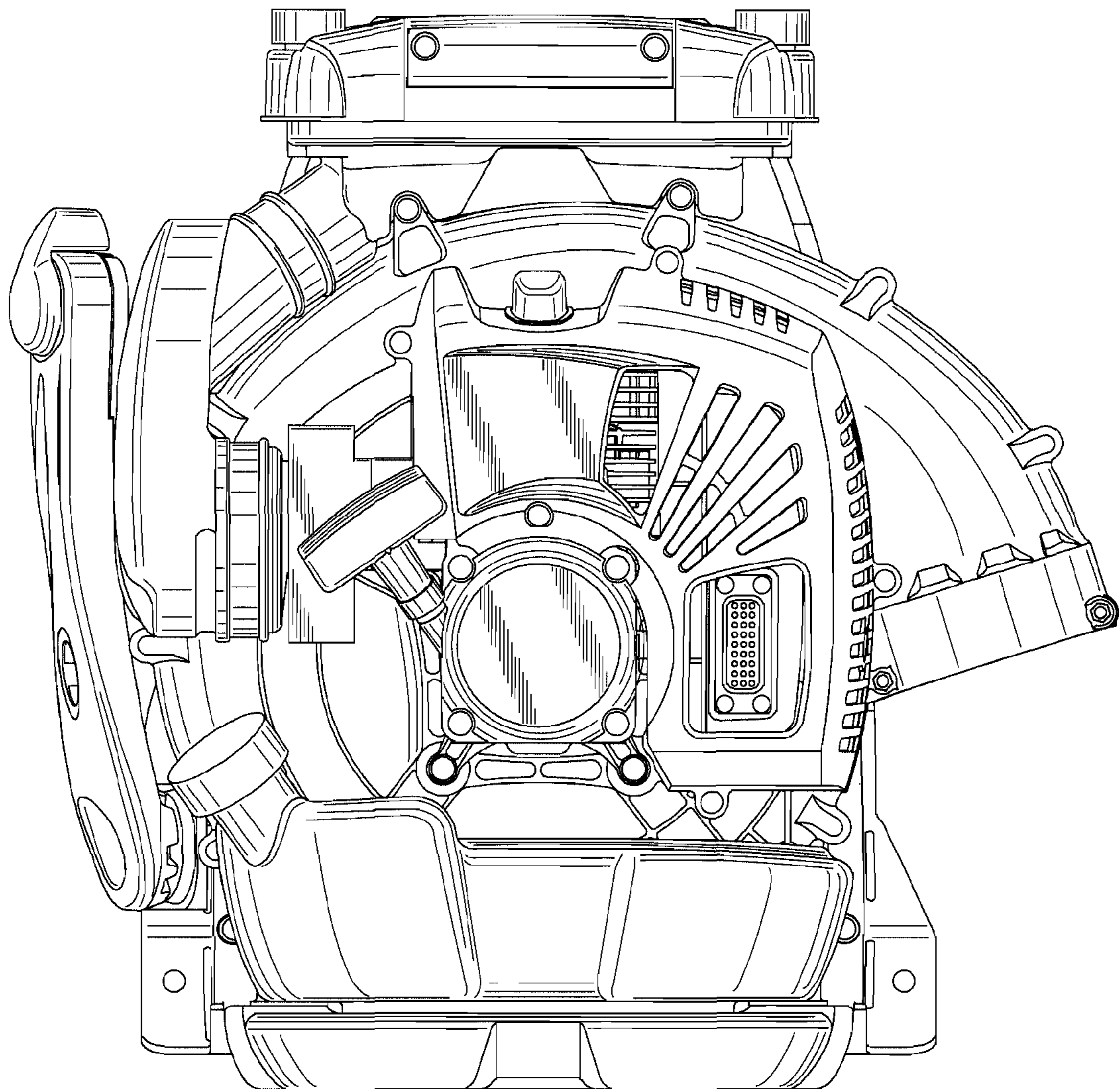


FIG. 4

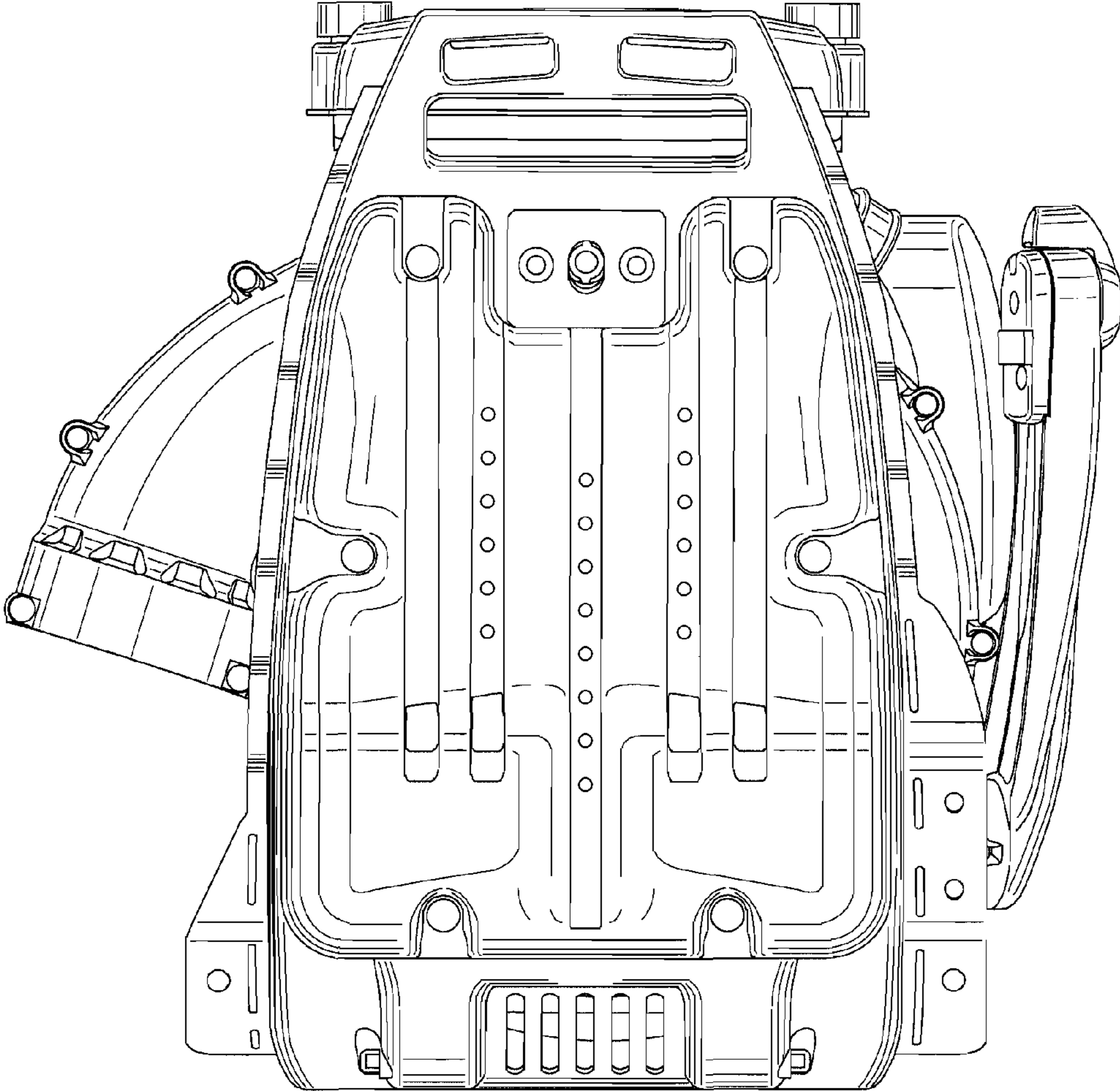


FIG. 5

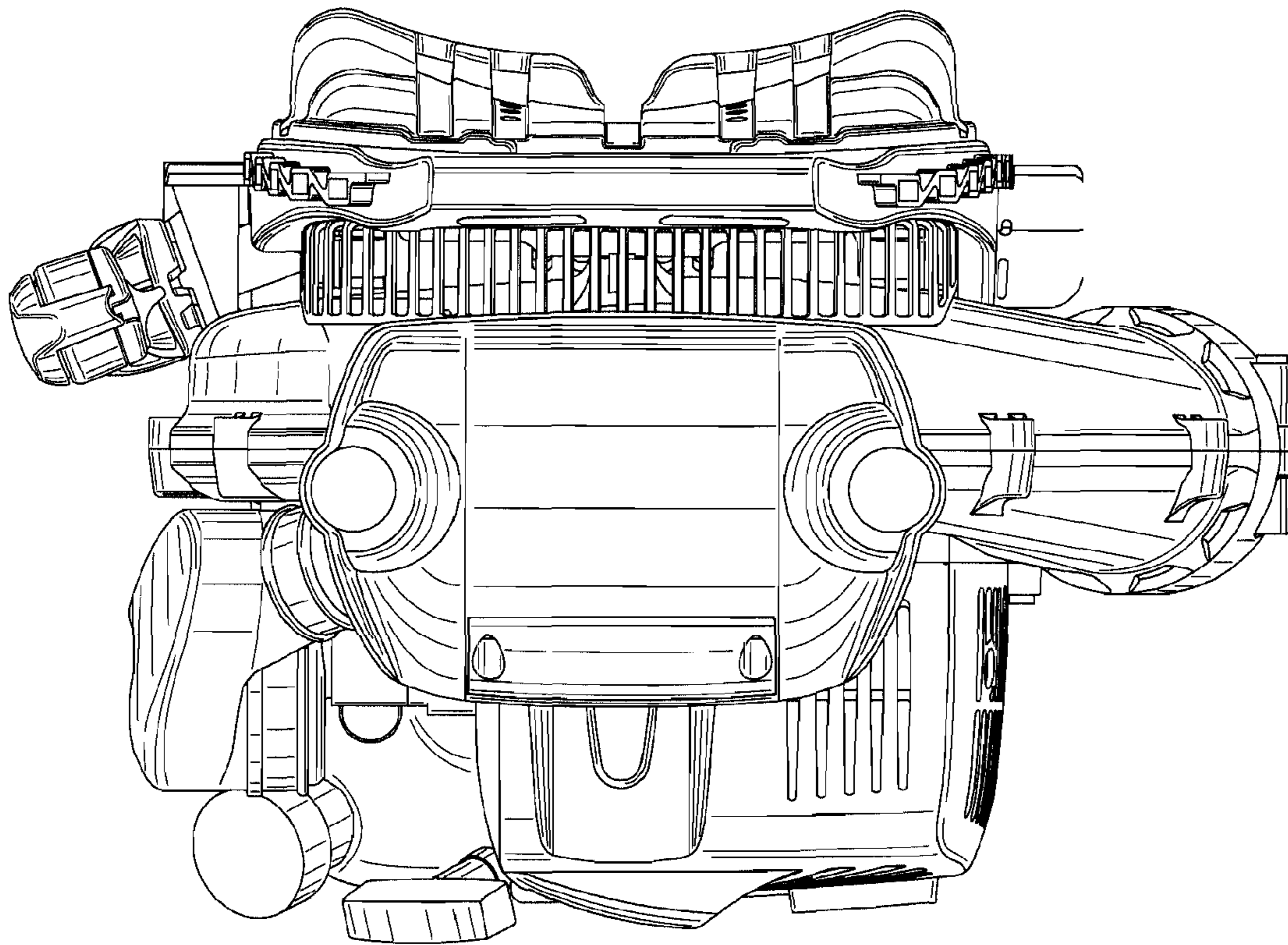


FIG. 6

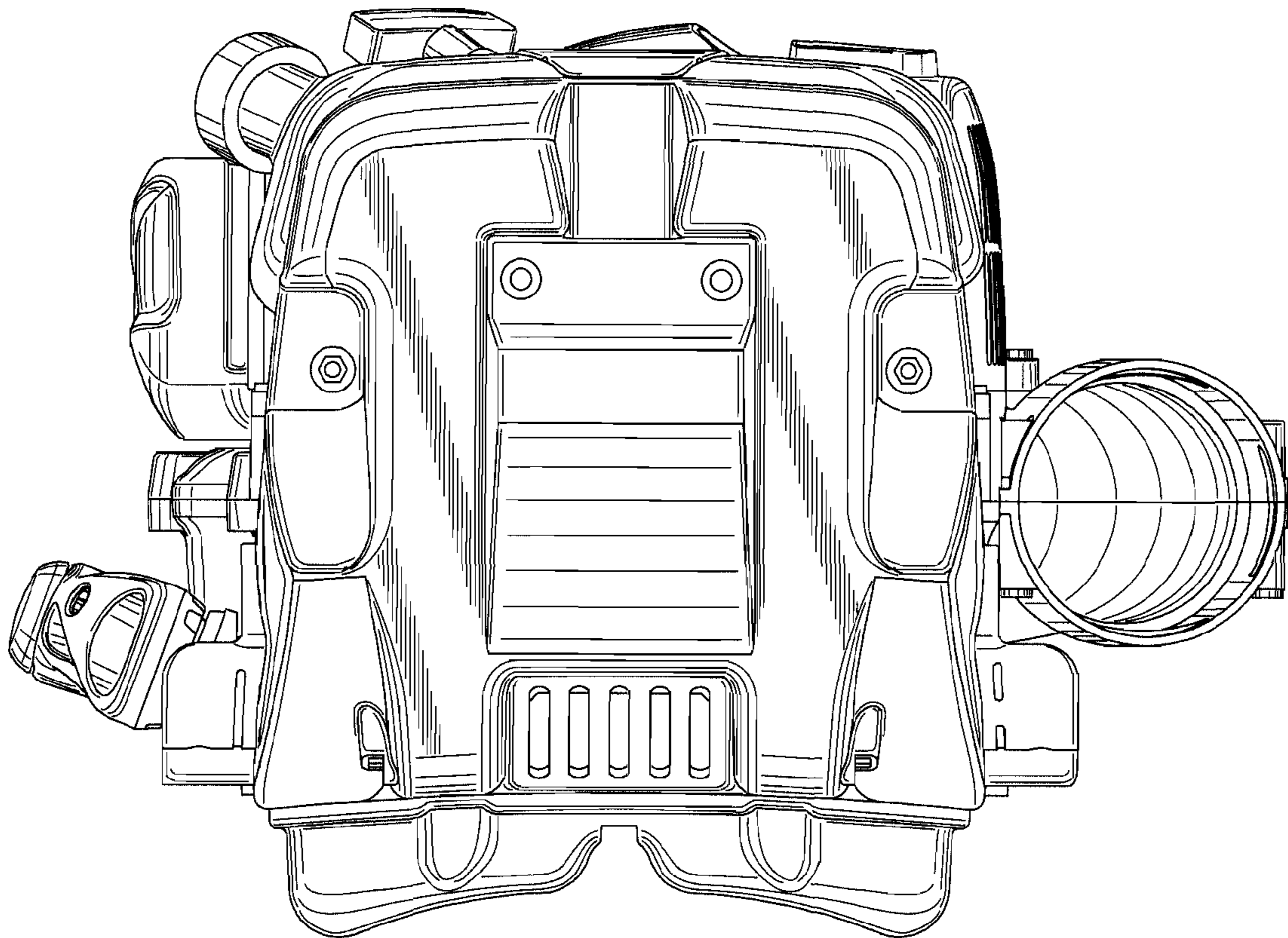


FIG. 7

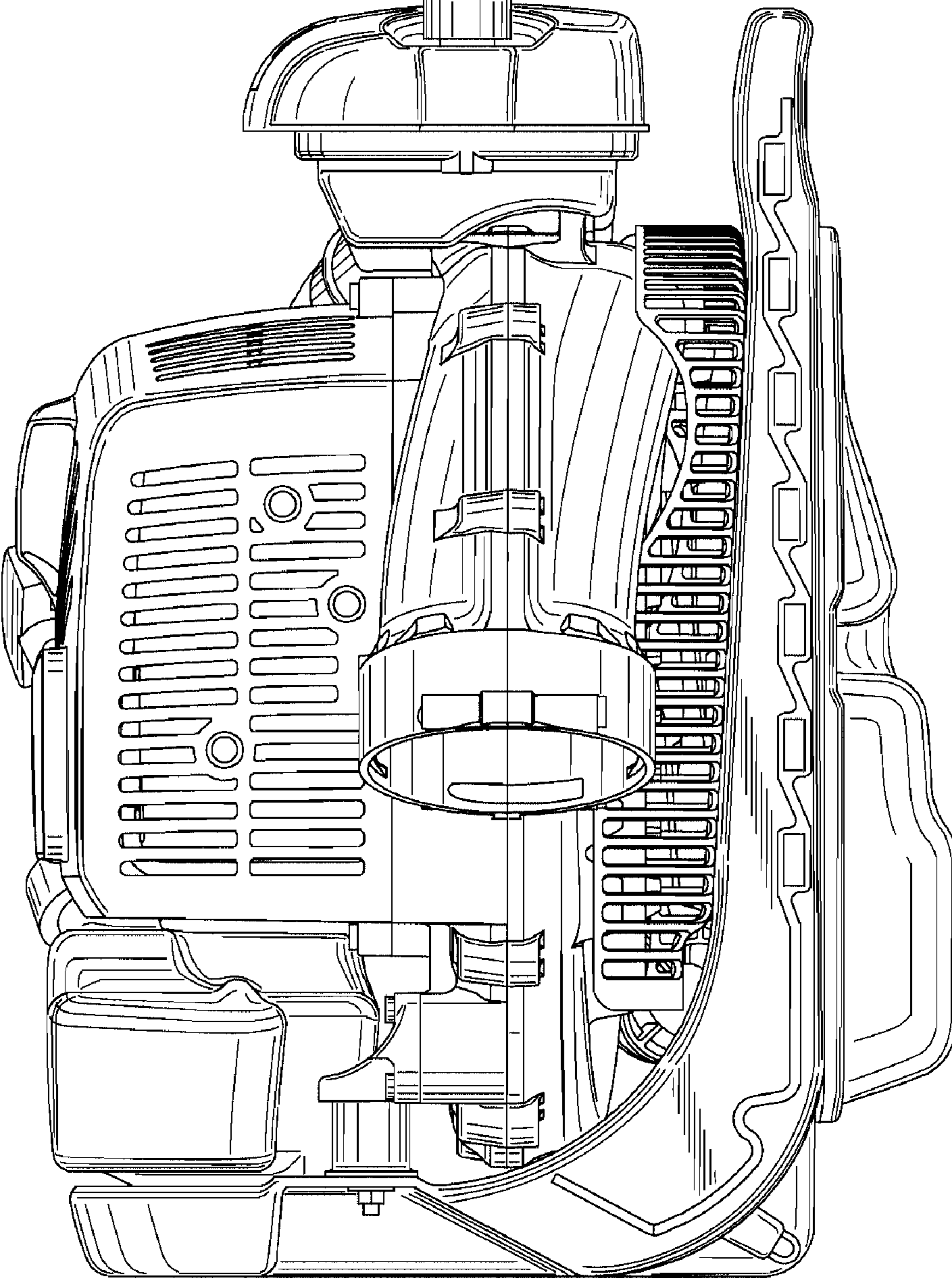


FIG. 8

