



US00D599463S

(12) **United States Design Patent**
Israel et al.

(10) **Patent No.:** **US D599,463 S**

(45) **Date of Patent:** **** Sep. 1, 2009**

(54) **AIR CIRCULATOR**

(76) Inventors: **Gary P. Israel**, 1720 Aspen Creek Dr.,
Andover, KS (US) 67002; **Glen W.**
Ediger, 14 Regal Crescent, North
Newton, KS (US) 67117

(**) Term: **14 Years**

(21) Appl. No.: **29/325,980**

(22) Filed: **Oct. 9, 2008**

(51) **LOC (9) Cl.** **23-04**

(52) **U.S. Cl.** **D23/382**

(58) **Field of Classification Search** D23/382,
D23/381, 332, 370, 411, 412; 416/246 R,
416/247 R, 244 R

See application file for complete search history.

(56) **References Cited**

U.S. PATENT DOCUMENTS

D423,663 S	*	4/2000	Rossman et al.	D23/382
D433,117 S	*	10/2000	Wolfe	D23/411
D433,497 S	*	11/2000	Hotaling et al.	D23/382
D440,648 S	*	4/2001	Lee et al.	D23/382

* cited by examiner

Primary Examiner—Lisa P Lichtenstein

(74) *Attorney, Agent, or Firm*—David H. Milligan; Sean P. Connolly; Husch Blackwell Sanders LLP

(57) **CLAIM**

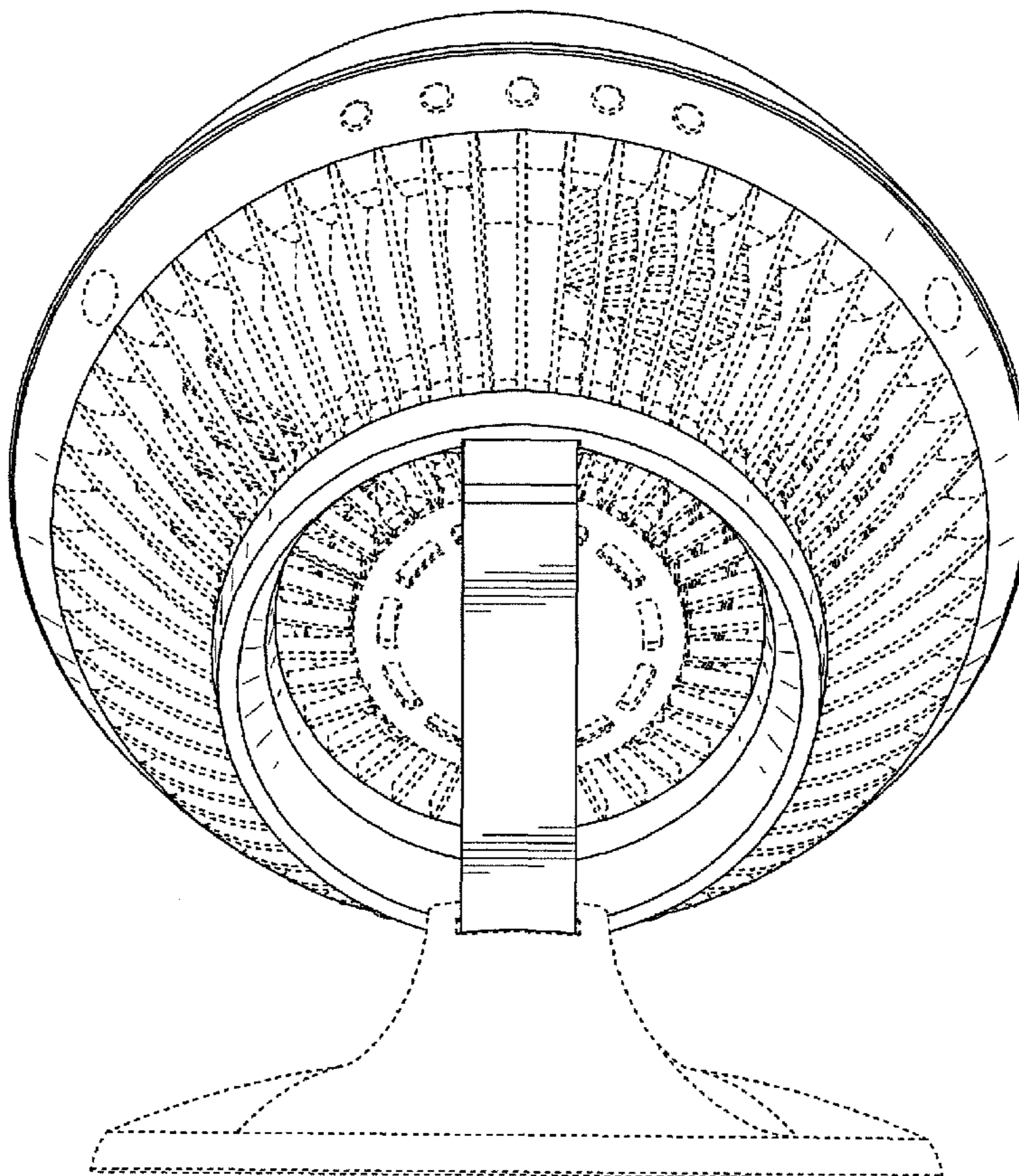
The ornamental design for an air circulator, as shown and described.

DESCRIPTION

FIG. 1 is a rear elevation view of the air circulator;
FIG. 2 is a front elevation view of the air circulator of FIG. 1;
FIG. 3 is a right elevation view of the air circulator of FIG. 1;
FIG. 4 is a left elevation view of the air circulator of FIG. 1;
FIG. 5 is a top elevation view of the air circulator of FIG. 1;
FIG. 6 is a perspective view of the air circulator of FIG. 1; and,
FIG. 7 is a perspective view of the air circulator of FIG. 1.

The broken line showing of a front grill, a rear grill, a hub, apertures and a base is included for the purpose of illustrating environmental structure and forms no part of the claimed design.

1 Claim, 7 Drawing Sheets



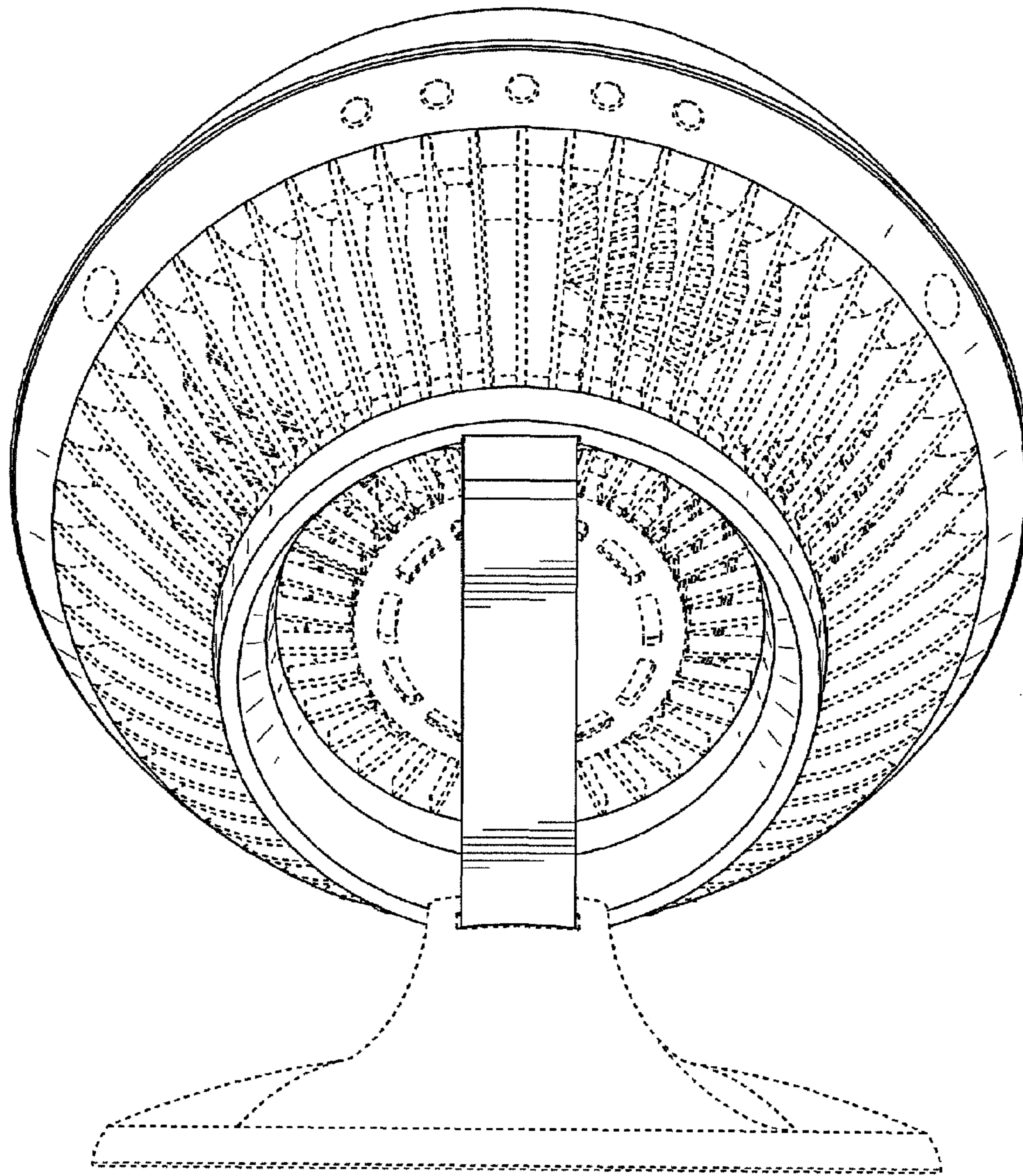


FIG. 1

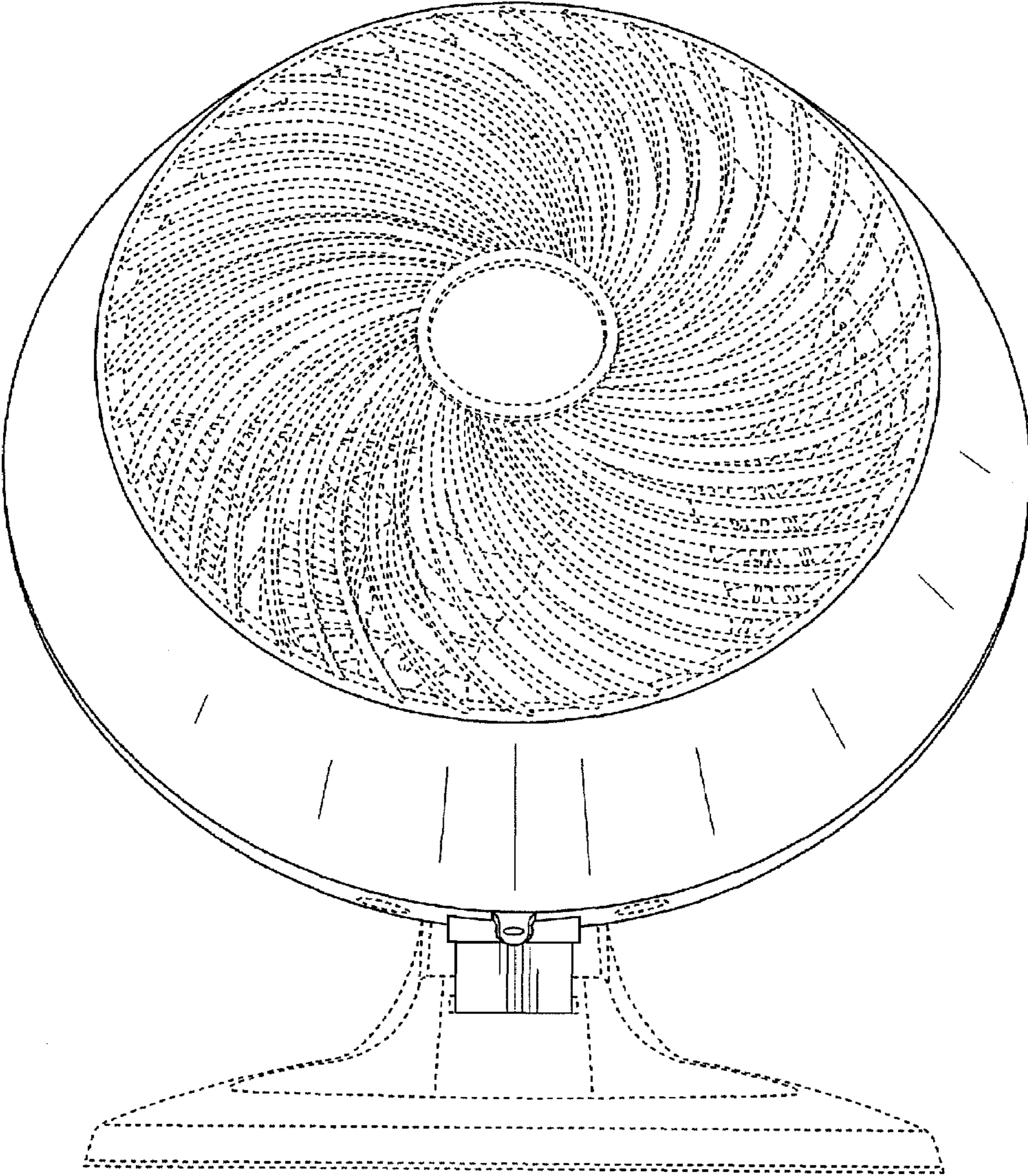


FIG. 2

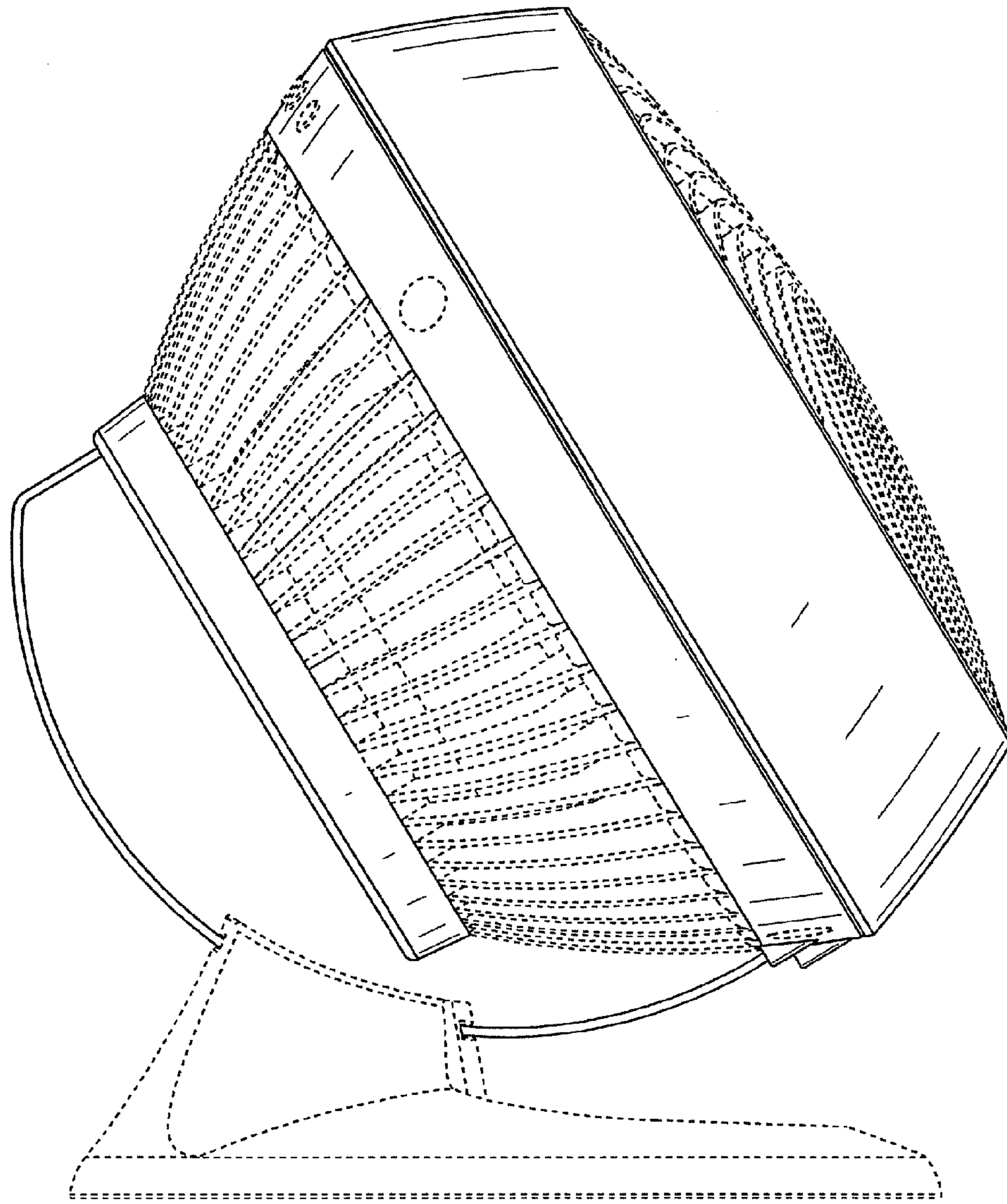


FIG. 3

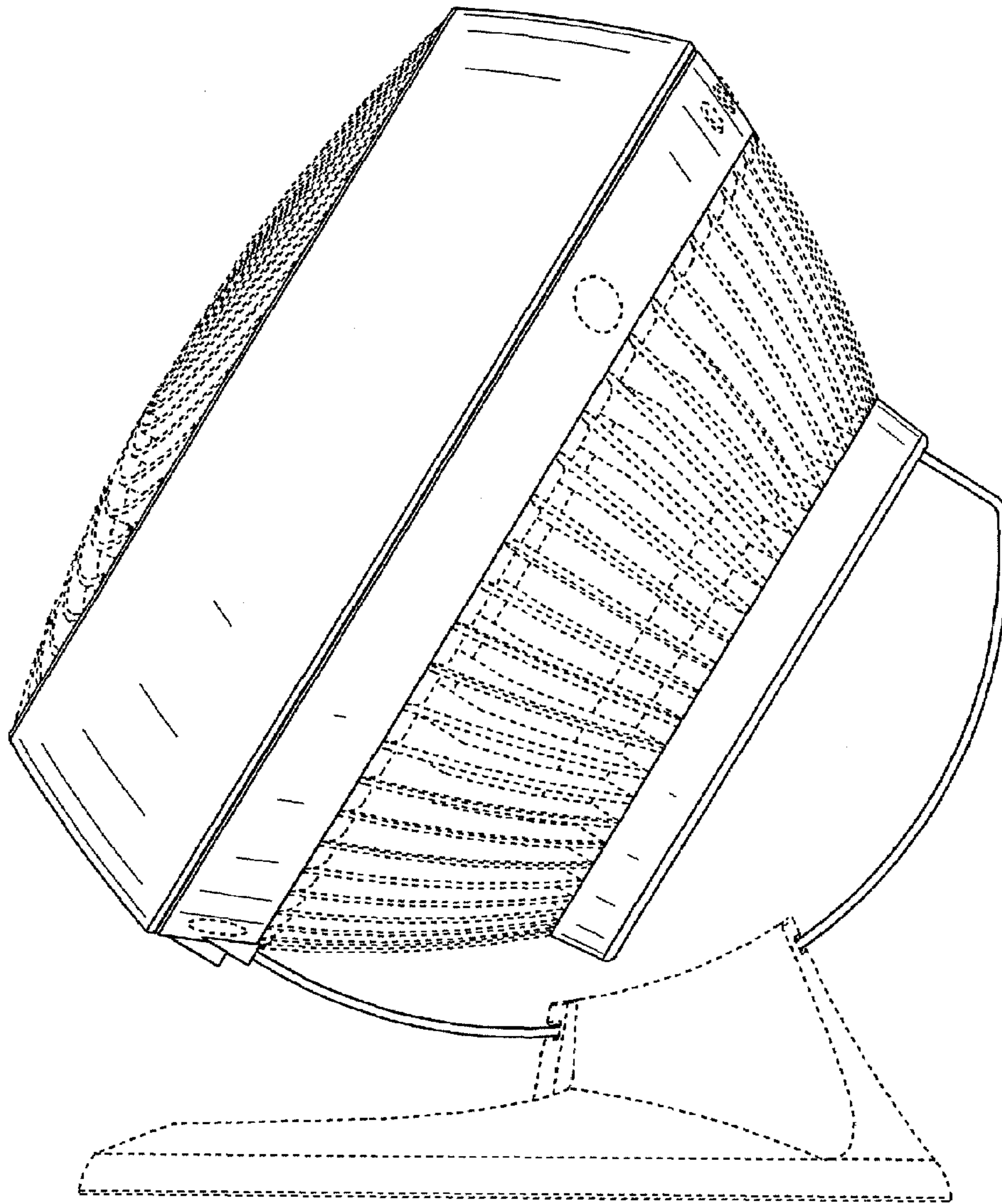


FIG. 4

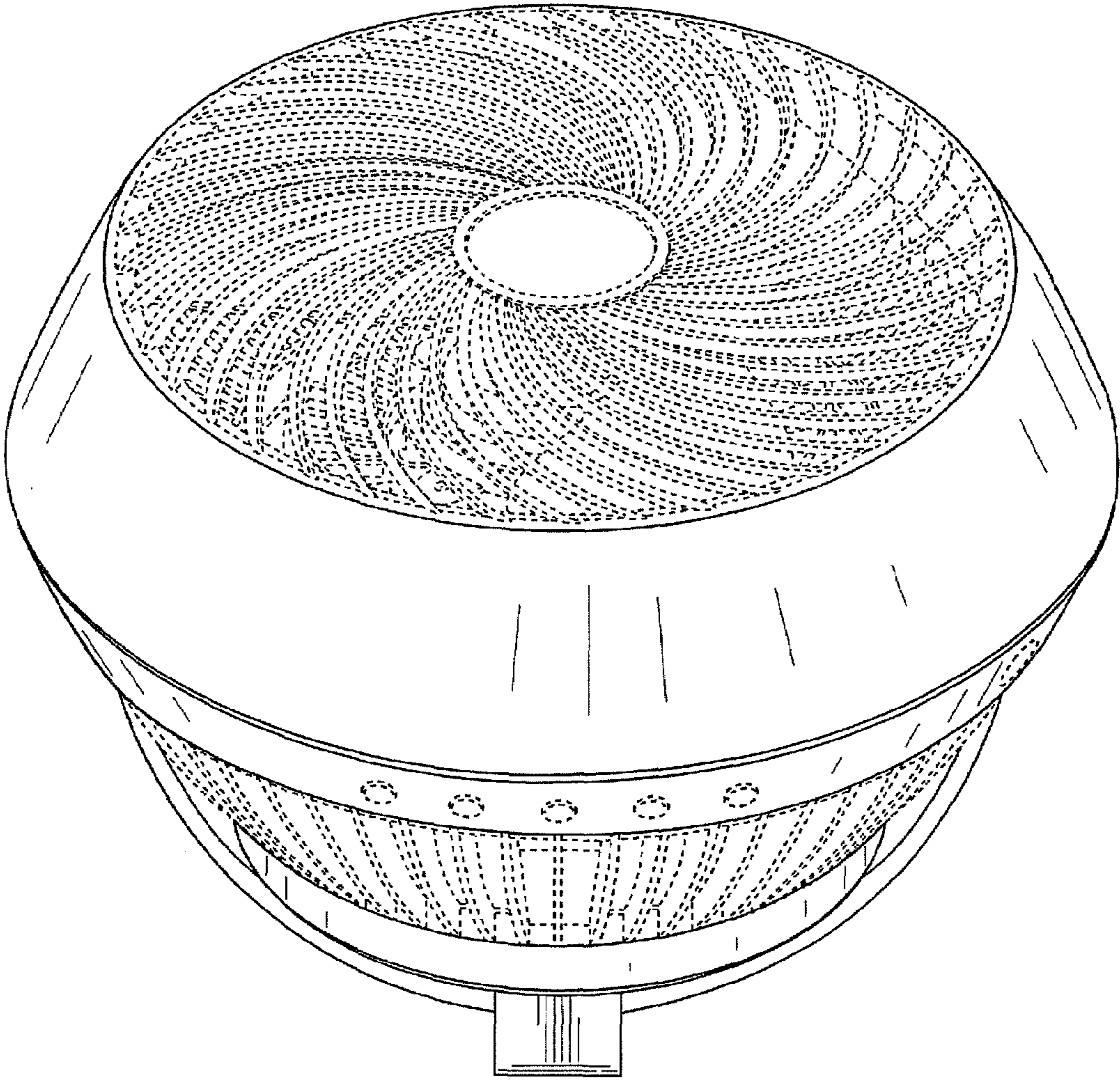


FIG. 5

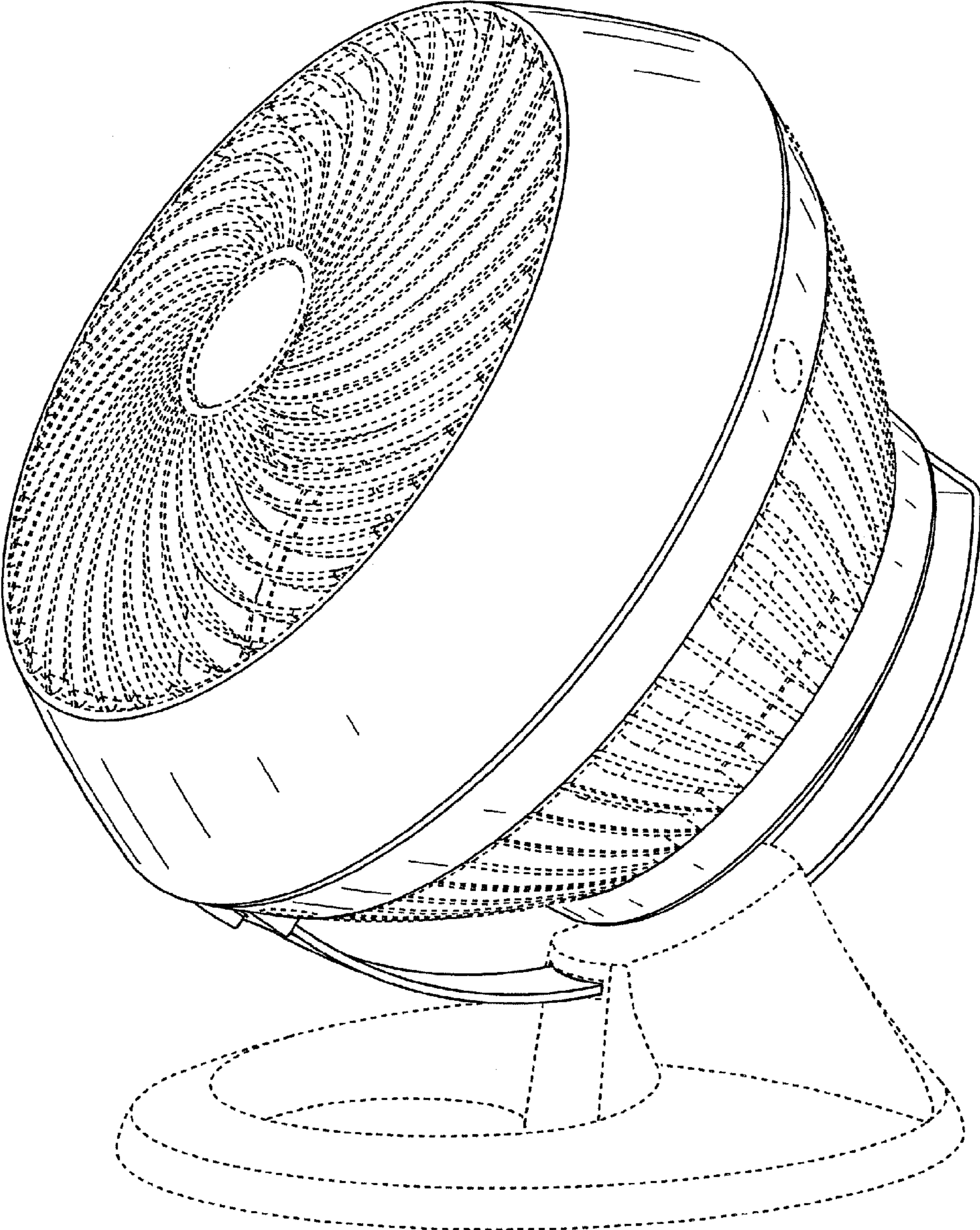


FIG. 6

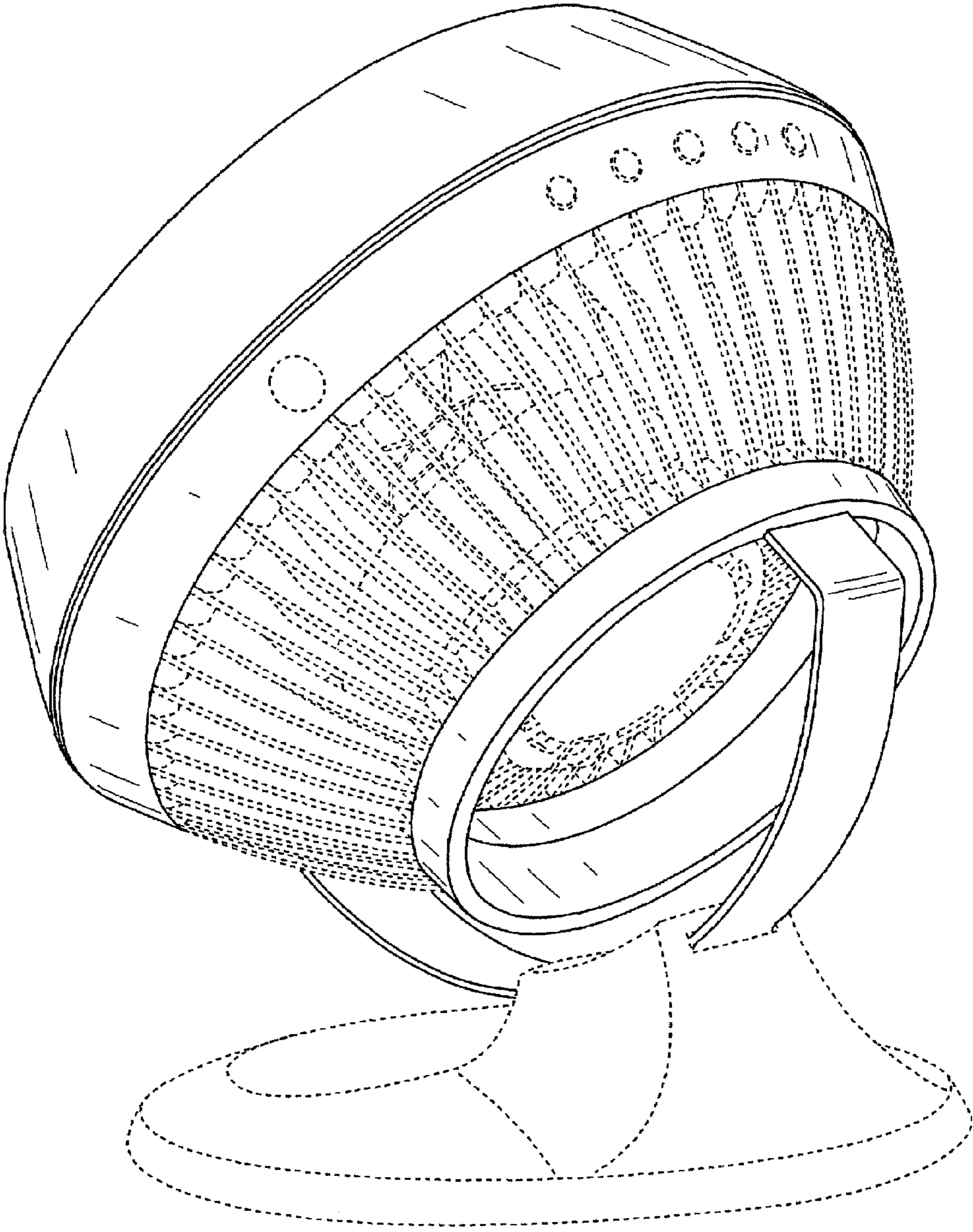


FIG. 7