

US00D599462S

(12) **United States Design Patent**
Roo et al.

(10) **Patent No.:** **US D599,462 S**
(45) **Date of Patent:** **** Sep. 1, 2009**

(54) **EXTENDED DRIVE CEILING FAN**
(75) Inventors: **Allen W. Roo**, Dardenne Prairie, MO
(US); **Bethany L. Klausning**, Hazelwood,
MO (US)
(73) Assignee: **Emerson Electric Co.**, St. Louis, MO
(US)
(**) Term: **14 Years**
(21) Appl. No.: **29/332,315**
(22) Filed: **Feb. 12, 2009**

D523,548 S 6/2006 Hidalgo et al.
D523,549 S 6/2006 Hidalgo et al.
D523,550 S 6/2006 Hidalgo et al.
D523,983 S 6/2006 Hidalgo et al.
D524,438 S 7/2006 Hidalgo et al.
7,077,629 B2 7/2006 Chen
D526,059 S 8/2006 Hidalgo et al.
D526,400 S 8/2006 Hidalgo et al.
D526,712 S 8/2006 Hidalgo et al.
D530,810 S 10/2006 Hidalgo et al.
D532,097 S 11/2006 Hidalgo et al.
7,183,680 B2 2/2007 Gajewski et al.
D581,037 S * 11/2008 Dyson et al. D23/377
2003/0082062 A1 5/2003 Chen

(51) **LOC (9) Cl.** **23-04**
(52) **U.S. Cl.** **D23/377**
(58) **Field of Classification Search** D23/377,
D23/379, 385, 411, 413; 416/5
See application file for complete search history.

OTHER PUBLICATIONS

Fanimation Inc. "The Bourbon Street." FANIMATION.COM
[retrieved from the Internet on Mar. 10, 2009 using <URL: http://
www.fanimation.com/products/bourbon_street/?group_id=232>].

* cited by examiner

(56) **References Cited**
U.S. PATENT DOCUMENTS

Primary Examiner—Lisa P Lichtenstein
(74) *Attorney, Agent, or Firm*—Locke Lord Bissell & Liddell
LLP

1,115,479 A 11/1914 Ayers et al.
1,224,218 A 5/1917 Scheibe
1,226,076 A 5/1917 Jennings
1,227,291 A 5/1917 Miller
1,267,752 A 5/1918 Finch
1,334,781 A 3/1920 Morse
D88,985 S 1/1933 Raff
D313,467 S 1/1991 Frampton
D456,073 S 4/2002 Frampton
6,364,638 B1 4/2002 Liu
D460,817 S 7/2002 Frampton
D461,888 S 8/2002 Frampton
D478,975 S 8/2003 Gajewski
D485,608 S 1/2004 Chen
6,722,859 B1 4/2004 Chen
D489,443 S 5/2004 Gajewski
D489,809 S 5/2004 Gajewski
D490,146 S 5/2004 Gajewski
6,817,830 B1 11/2004 Chen
6,832,902 B2 12/2004 Gajewski et al.
D506,002 S 6/2005 Chen
6,913,443 B2 7/2005 Chen
D519,204 S 4/2006 Spina et al.
7,052,242 B2 5/2006 Chen

(57) **CLAIM**

The ornamental design for an extended drive ceiling fan, as
shown and described.

DESCRIPTION

FIG. 1 is a bottom perspective view of an extended drive
ceiling fan, showing the new design;

FIG. 2 is an elevation view with the opposite elevation being
a mirror image;

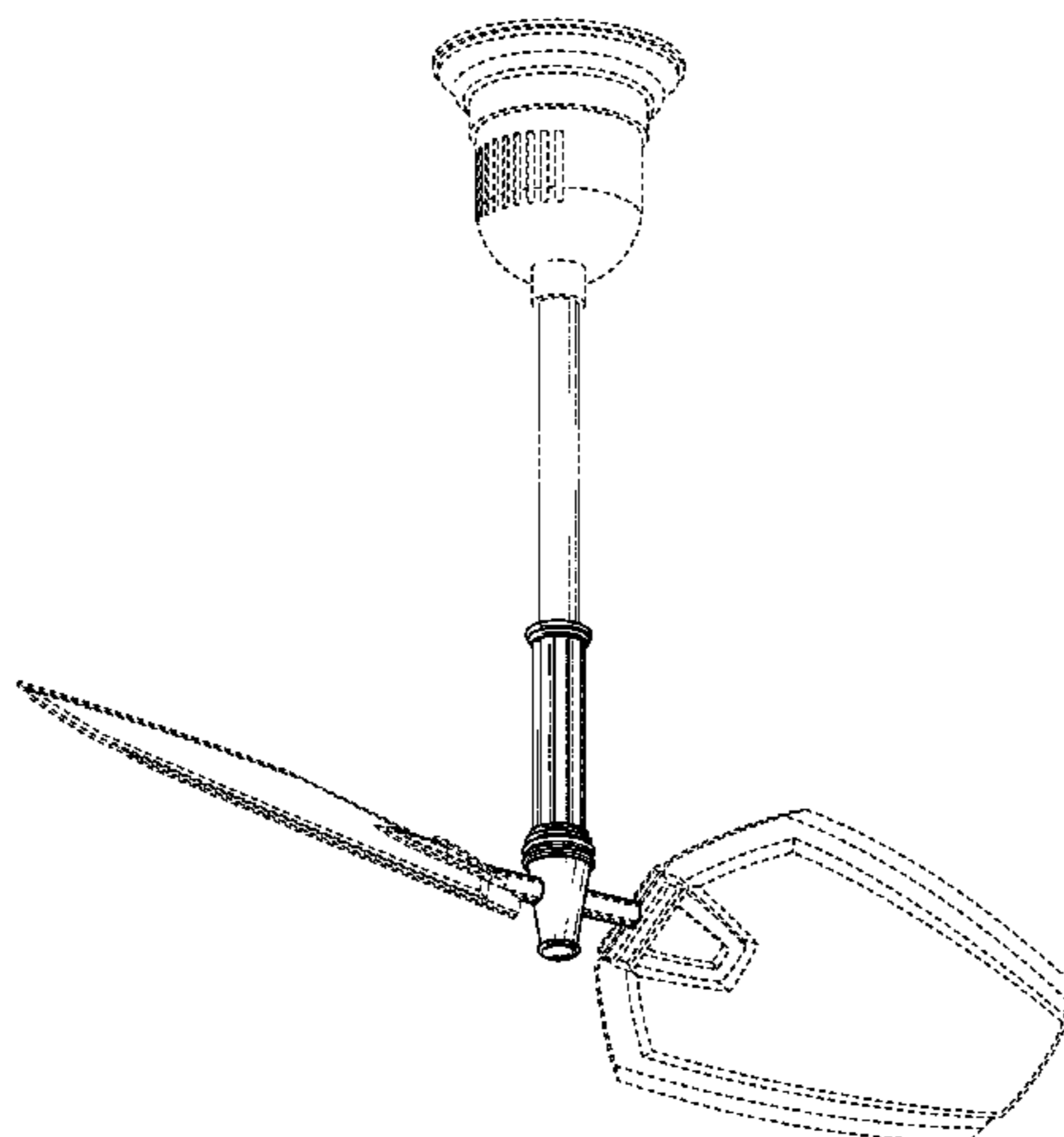
FIG. 3 is an end view with the opposite end being a mirror
image;

FIG. 4 is a bottom view; and,

FIG. 5 is a top view.

The broken line showings of FIGS. 1–5 are for the purpose of
illustrating unclaimed portions of the extended drive ceiling
fan and form no part of the claimed design.

1 Claim, 4 Drawing Sheets



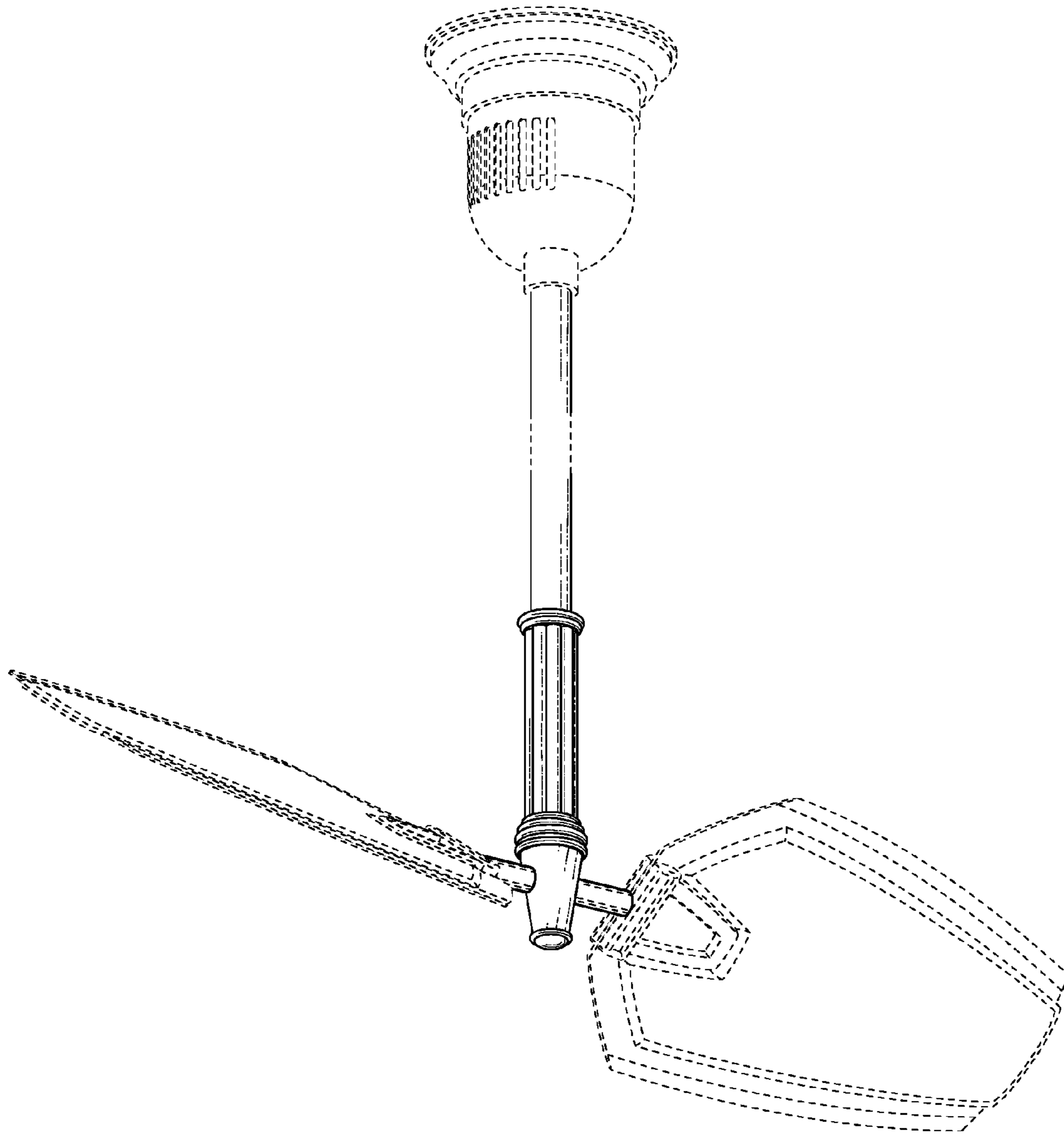


FIG. 1

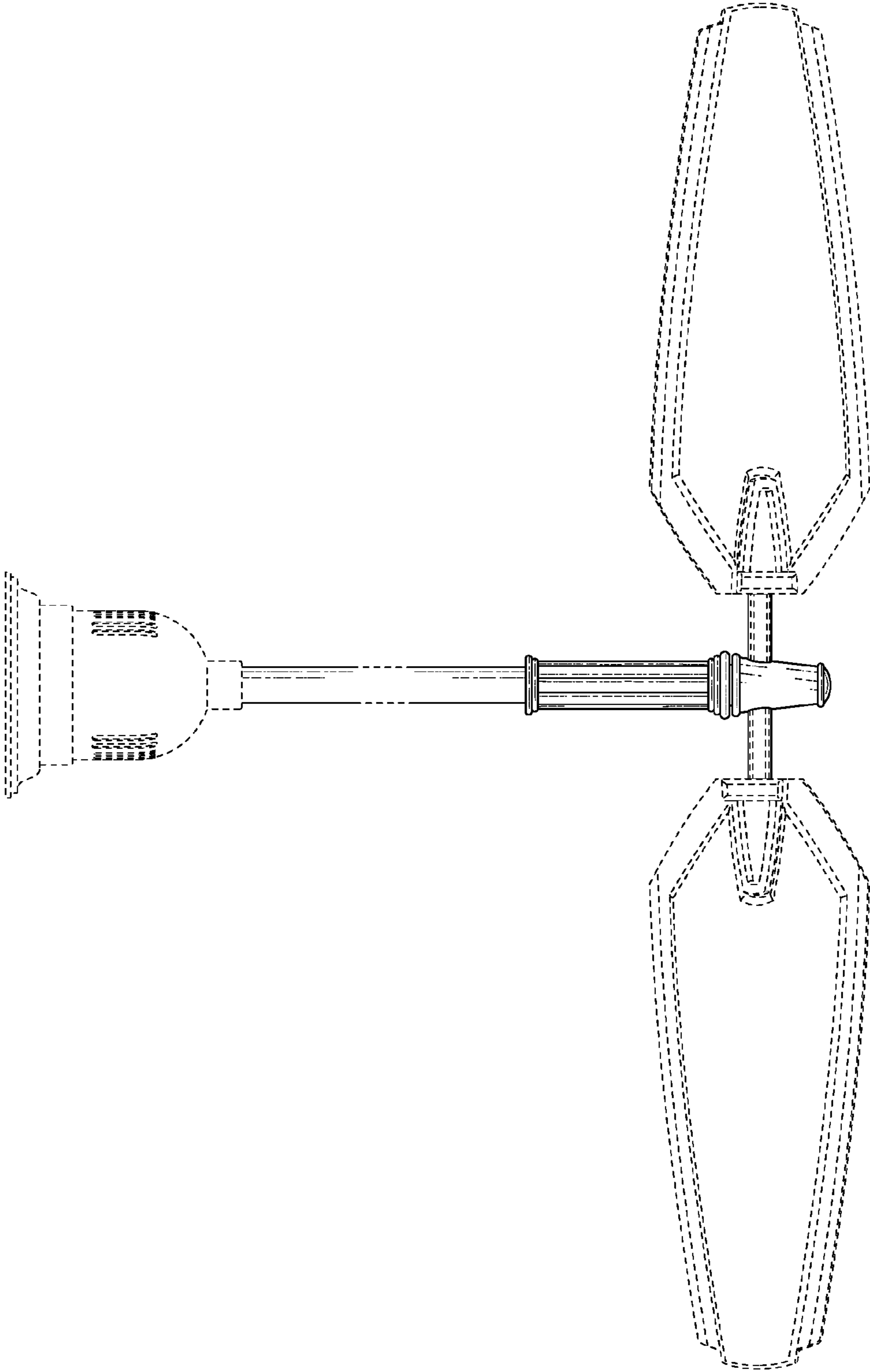


FIG. 2

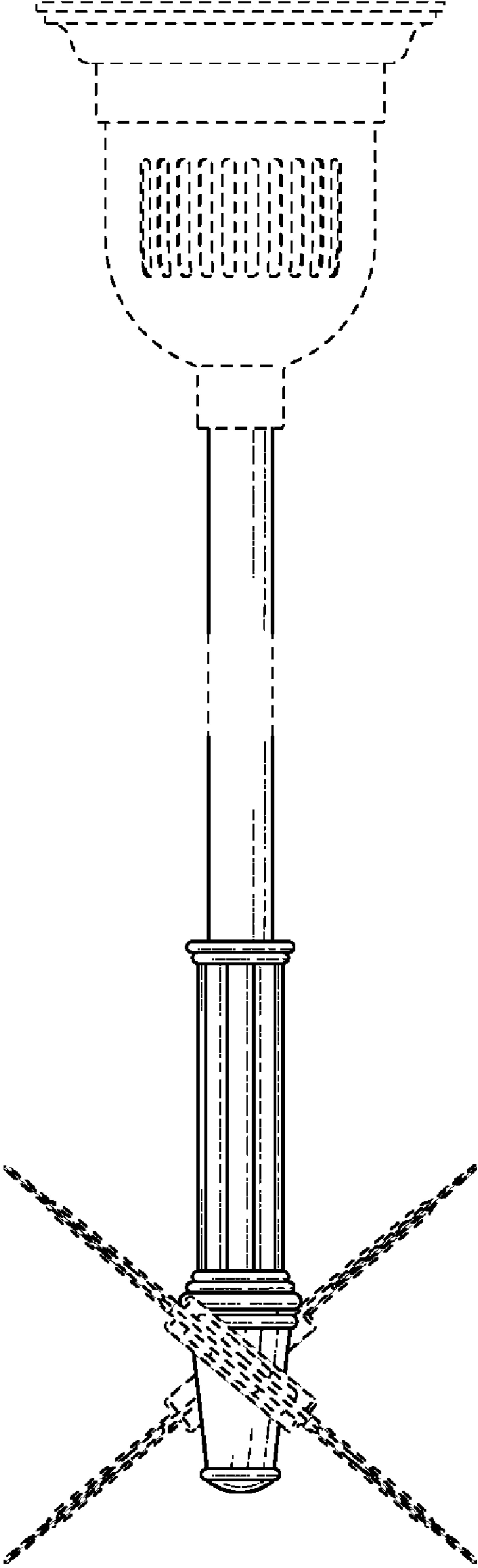


FIG. 3

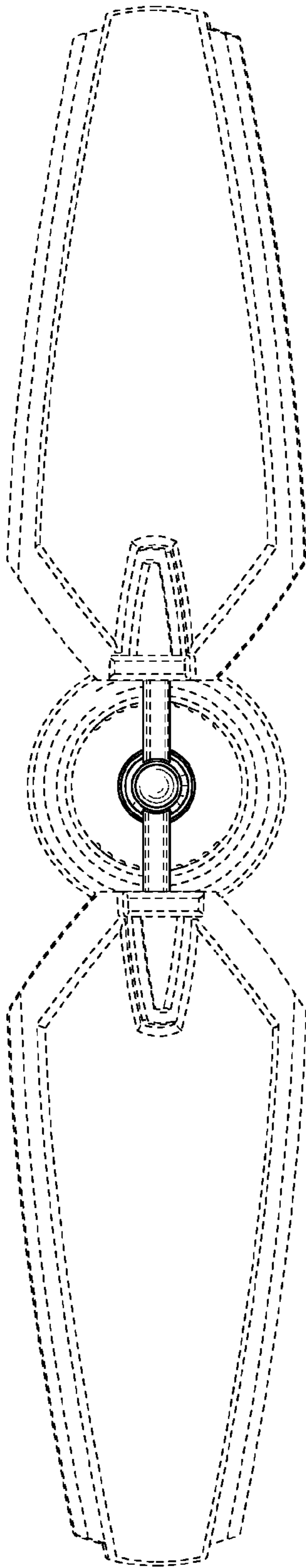


FIG. 4

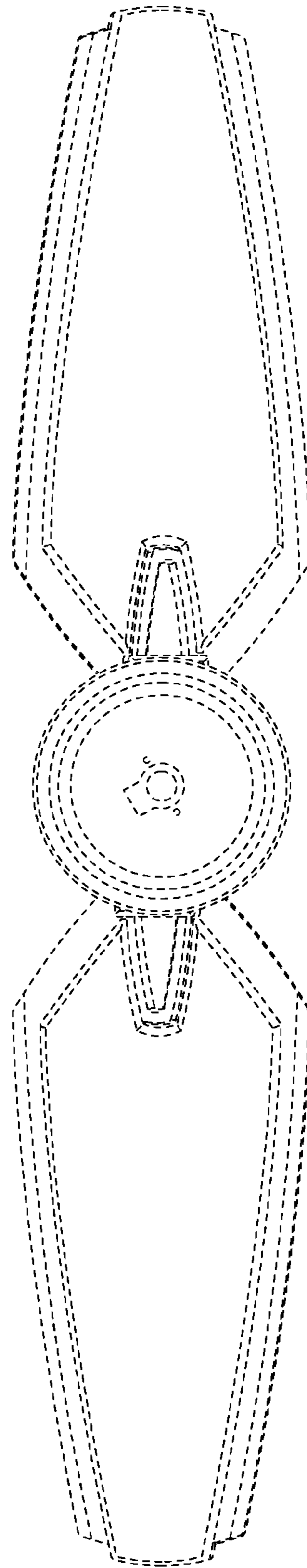


FIG. 5