

US00D599460S

(12) **United States Design Patent**  
**Yang**

(10) **Patent No.:** **US D599,460 S**  
(45) **Date of Patent:** **\*\* Sep. 1, 2009**

(54) **CEILING FAN**  
(75) Inventor: **Helen Yang**, Rowland Heights, CA (US)  
(73) Assignee: **Air Cool Industrial Co., Ltd.**, Taichung (TW)  
(\*\*) Term: **14 Years**  
(21) Appl. No.: **29/331,139**  
(22) Filed: **Jan. 21, 2009**

D409,297 S 5/1999 Tai  
5,944,487 A 8/1999 Pearce  
D414,860 S 10/1999 Thomas  
D415,303 S 10/1999 Lin  
D417,494 S 12/1999 Evans  
D417,499 S 12/1999 Zuege  
6,059,531 A 5/2000 Tai  
6,135,618 A 10/2000 Tai  
D435,643 S 12/2000 Williams  
D441,122 S \* 4/2001 Dolan ..... D26/86  
D441,442 S 5/2001 Williams  
6,259,025 B1 7/2001 Tai

(51) **LOC (9) Cl.** ..... **23-04**  
(52) **U.S. Cl.** ..... **D23/377**  
(58) **Field of Classification Search** ..... D23/377,  
D23/379, 385, 411, 413; 416/5; D26/51,  
D26/72, 81-86, 88

See application file for complete search history.

(56) **References Cited**

**U.S. PATENT DOCUMENTS**

D102,906 S 1/1937 Lescaze  
D287,518 S 12/1986 Ohno  
D294,604 S 3/1988 Shibukawa  
D346,210 S 4/1994 Holbrook  
D359,553 S 6/1995 Hsi  
5,458,464 A 10/1995 Lee  
D367,321 S 2/1996 Holbrook  
D369,405 S 4/1996 Holbrook  
5,508,484 A 4/1996 Chen  
D376,004 S 11/1996 Tsuji  
D376,421 S 12/1996 Jaspers-Fayer  
D383,529 S 9/1997 Tsuji  
D388,870 S 1/1998 Holbrook  
D396,530 S 7/1998 Tai  
D401,322 S 11/1998 Liu  
D404,808 S 1/1999 Tai  
D404,809 S 1/1999 Tai  
D405,878 S 2/1999 Tai  
D408,073 S 4/1999 Tai  
D408,074 S 4/1999 Tai  
D408,516 S 4/1999 Tai

(Continued)

*Primary Examiner*—Lisa P Lichtenstein  
(74) *Attorney, Agent, or Firm*—Morrison & Foerster LLP

(57) **CLAIM**

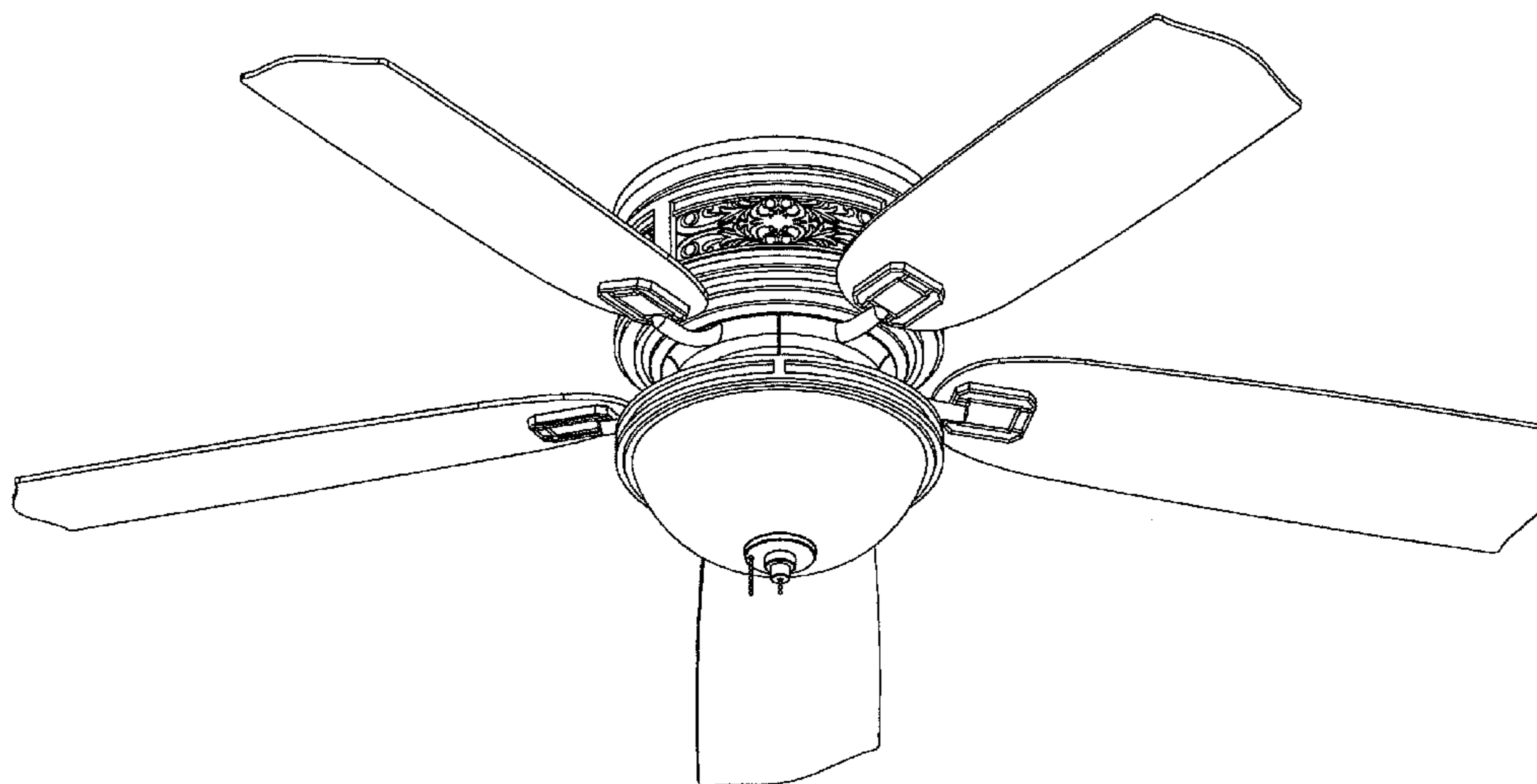
The ornamental design for a ceiling fan, as shown and described.

**DESCRIPTION**

FIG. 1 is a perspective view of a ceiling fan in accordance with the present invention;  
FIG. 2 is a bottom view of the ceiling fan in accordance with the present invention;  
FIG. 3 is a side view of the ceiling fan in accordance with the present invention;  
FIG. 4 is another side view of the ceiling fan in accordance with the present invention;  
FIG. 5 is yet another side view of the ceiling fan in accordance with the present invention; and,  
FIG. 6 is another perspective view of the ceiling fan in accordance with the present invention.

The broken line showing of portions of a ceiling fan is included for the purpose of illustrating environmental structure and forms no part of the claimed design.

**1 Claim, 6 Drawing Sheets**



# US D599,460 S

Page 2

## U.S. PATENT DOCUMENTS

D451,993 S	12/2001	Hsieh	D517,201 S	3/2006	Gajewski
6,379,116 B1	4/2002	Tai	D518,567 S	4/2006	Hidalgo
D457,619 S	5/2002	Hsieh	D518,887 S	4/2006	Tai
D457,947 S	5/2002	Tai	D520,630 S	5/2006	Pickett
6,392,146 B1	5/2002	Tai	D525,355 S	7/2006	Hidalgo
D458,675 S	6/2002	Tai	D525,700 S *	7/2006	Ertze ..... D23/411
D460,208 S	7/2002	Dolan	D525,701 S	7/2006	Glasbrenner
D476,410 S	6/2003	Young	D526,714 S	8/2006	Hidalgo
D478,381 S	8/2003	Tai	D527,090 S	8/2006	Pan
D479,872 S	9/2003	Young	D527,454 S	8/2006	Hidalgo
D480,797 S	10/2003	Young	D530,811 S	10/2006	Ertze
D480,800 S	10/2003	Stauffer	D531,298 S	10/2006	Hidalgo
D481,455 S	10/2003	Young	D531,305 S	10/2006	Glasbrenner
D483,463 S	12/2003	Tai	D531,307 S	10/2006	Shurtleff
D483,464 S	12/2003	Tai	D531,722 S	11/2006	Ertze
D483,465 S	12/2003	Tai	D532,901 S	11/2006	Ertze
D483,847 S	12/2003	Tai	D533,267 S	12/2006	Pan
D483,848 S	12/2003	Tai	D535,385 S	1/2007	Pickett
D483,849 S	12/2003	Tai	D536,466 S	2/2007	Pan
D483,850 S	12/2003	Tai	D539,896 S	4/2007	Pan
D484,269 S	12/2003	Hsu	D540,460 S	4/2007	Pickett
D484,588 S	12/2003	Tai	D541,409 S	4/2007	Ertze
D484,969 S	1/2004	Tai	D541,410 S	4/2007	Ertze
D485,344 S	1/2004	Tai	D543,268 S	5/2007	Ertze
D485,609 S	1/2004	Tai	D543,302 S	5/2007	Ertze
D485,611 S	1/2004	Tai	D545,422 S	6/2007	Glasbrenner
D485,897 S	1/2004	Tai	D546,439 S	7/2007	Glasbrenner
D486,215 S	2/2004	Hsieh	D546,936 S	7/2007	Ertze
D487,506 S	3/2004	Burns	D547,433 S	7/2007	Wang
D489,445 S	5/2004	Burns	D547,435 S	7/2007	Lee
D489,471 S	5/2004	Huang	D547,857 S	7/2007	Lee
D490,888 S	6/2004	Tai	D551,755 S	9/2007	Shurtleff
D494,705 S	8/2004	Tai	D552,777 S	10/2007	Pan
D501,578 S	2/2005	Tai	D554,250 S	10/2007	Shurtleff
D503,472 S	3/2005	Tai	D554,251 S	10/2007	Shurtleff
D503,473 S	3/2005	Tai	D556,890 S *	12/2007	Brookins ..... D23/411
D503,474 S	3/2005	Tai	D558,328 S	12/2007	Badarello
D503,475 S	3/2005	Tai	D559,971 S	1/2008	Frampton
D503,476 S	3/2005	Tai	D561,328 S	2/2008	Hidalgo
D503,795 S	4/2005	Tai	D564,651 S	3/2008	Pan
D504,173 S	4/2005	Tai	D564,652 S	3/2008	Pan
D504,502 S	4/2005	Young	D565,221 S	3/2008	Pan
D505,197 S	5/2005	Tai	D567,361 S *	4/2008	Curtin ..... D23/411
D505,724 S	5/2005	Tai	D569,964 S	5/2008	Ertze
D507,644 S	7/2005	Tai	D570,022 S	5/2008	Ertze
D507,830 S	7/2005	Pan	D571,452 S	6/2008	Ertze
D508,123 S	8/2005	Pickett	D572,815 S *	7/2008	Hidalgo ..... D23/411
D510,428 S	10/2005	Hidalgo	D573,242 S	7/2008	Pan
D510,623 S	10/2005	Tai	D573,243 S	7/2008	Pan
D510,624 S	10/2005	Graham	D573,245 S	7/2008	Pan
D510,999 S	10/2005	Thomas	D573,737 S	7/2008	Lee
D515,199 S	2/2006	Hidalgo	D578,636 S	10/2008	Pan
D516,704 S	3/2006	Pickett	D580,044 S	11/2008	Ertze

\* cited by examiner

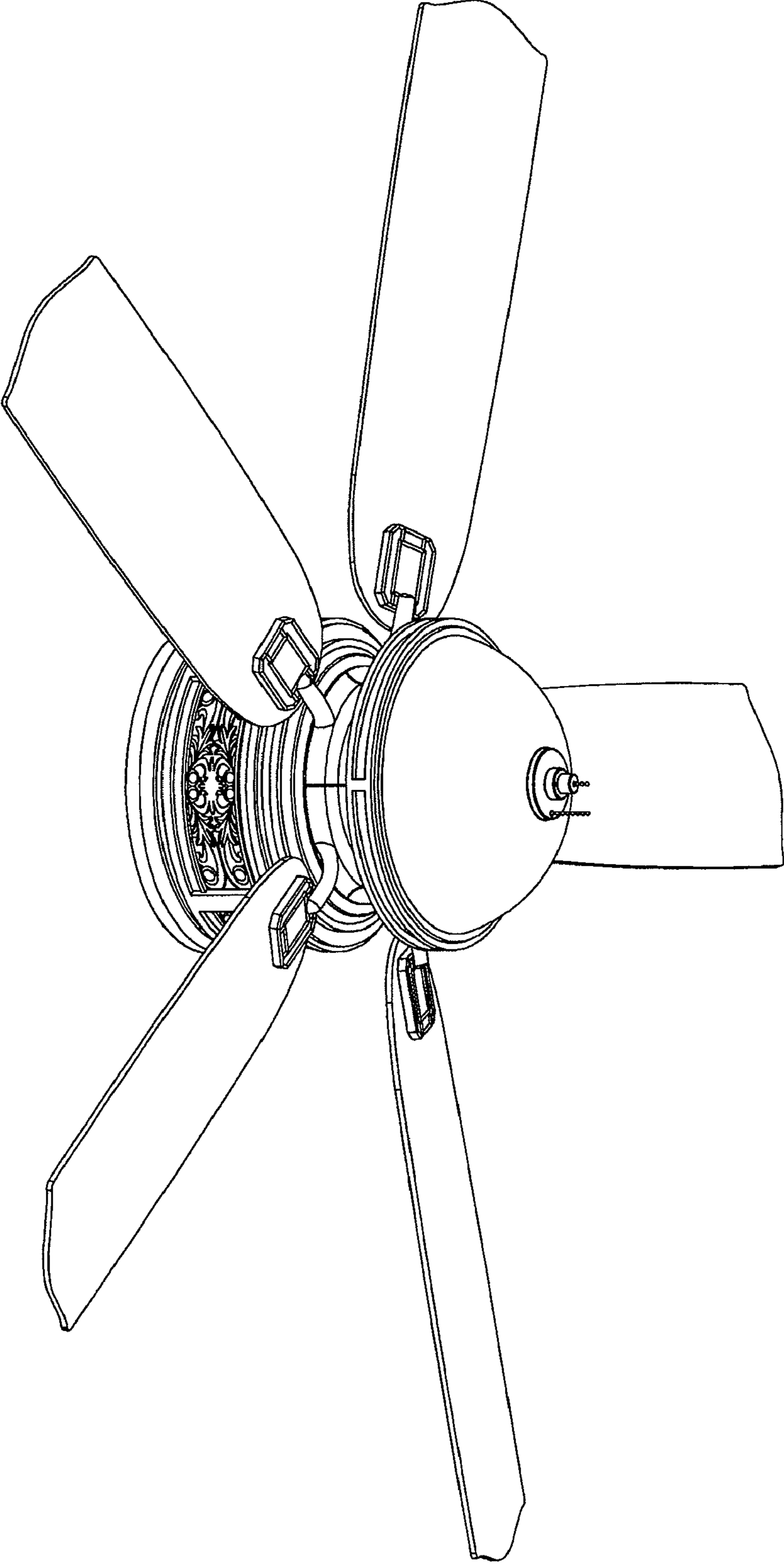


FIG. 1

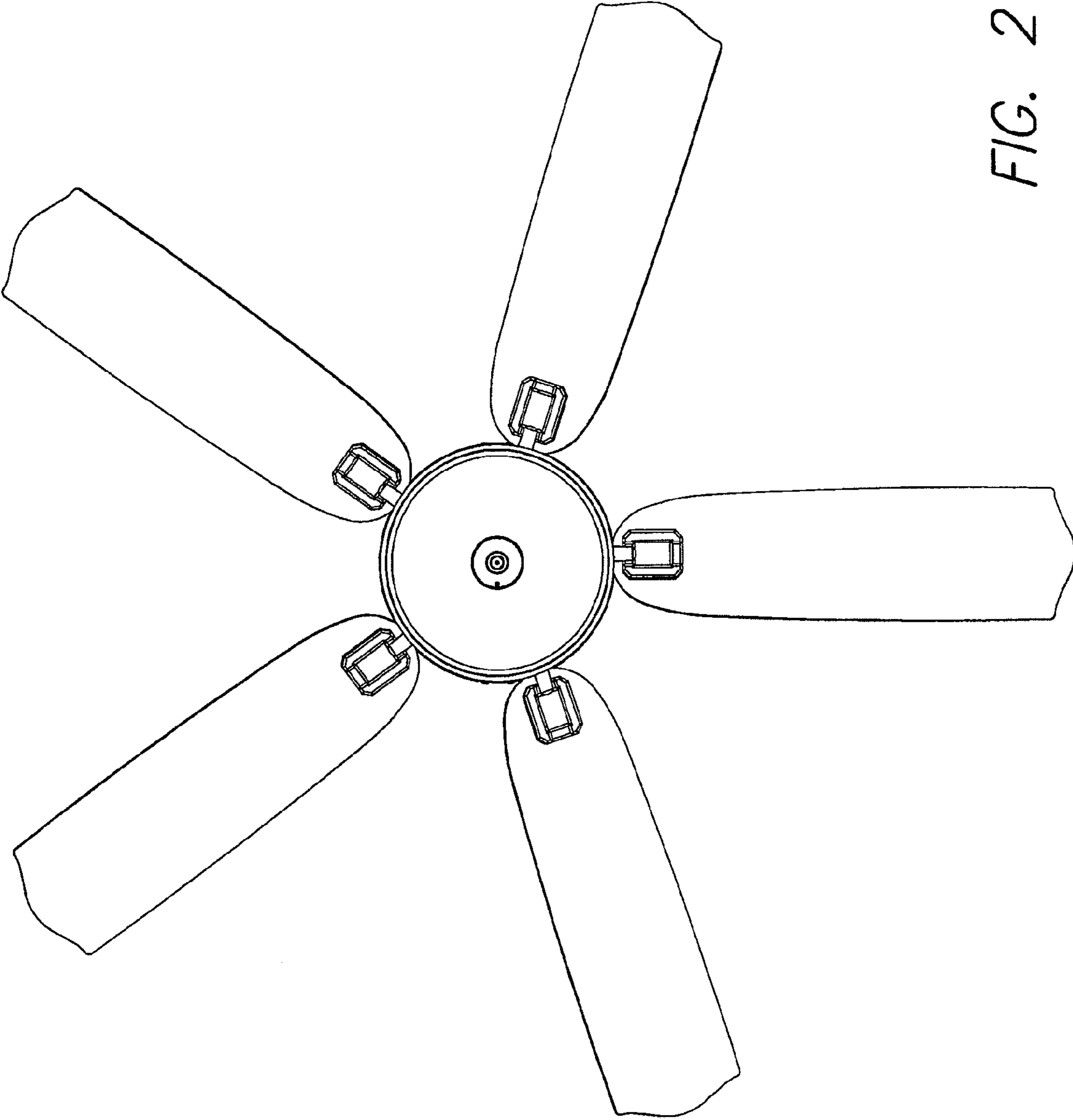


FIG. 2

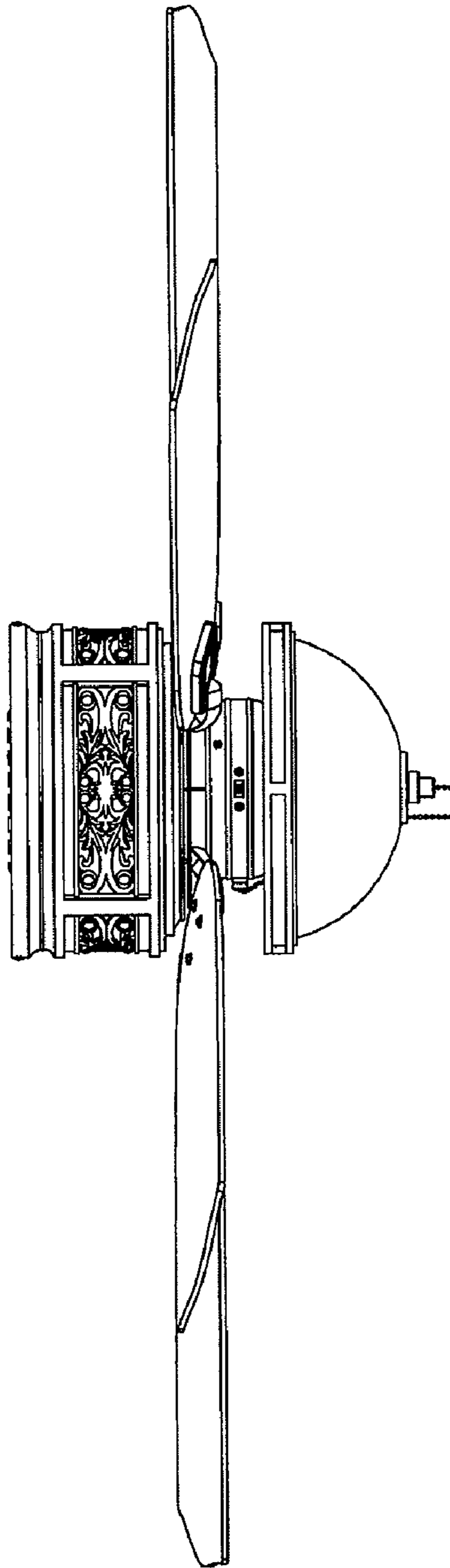


FIG. 3

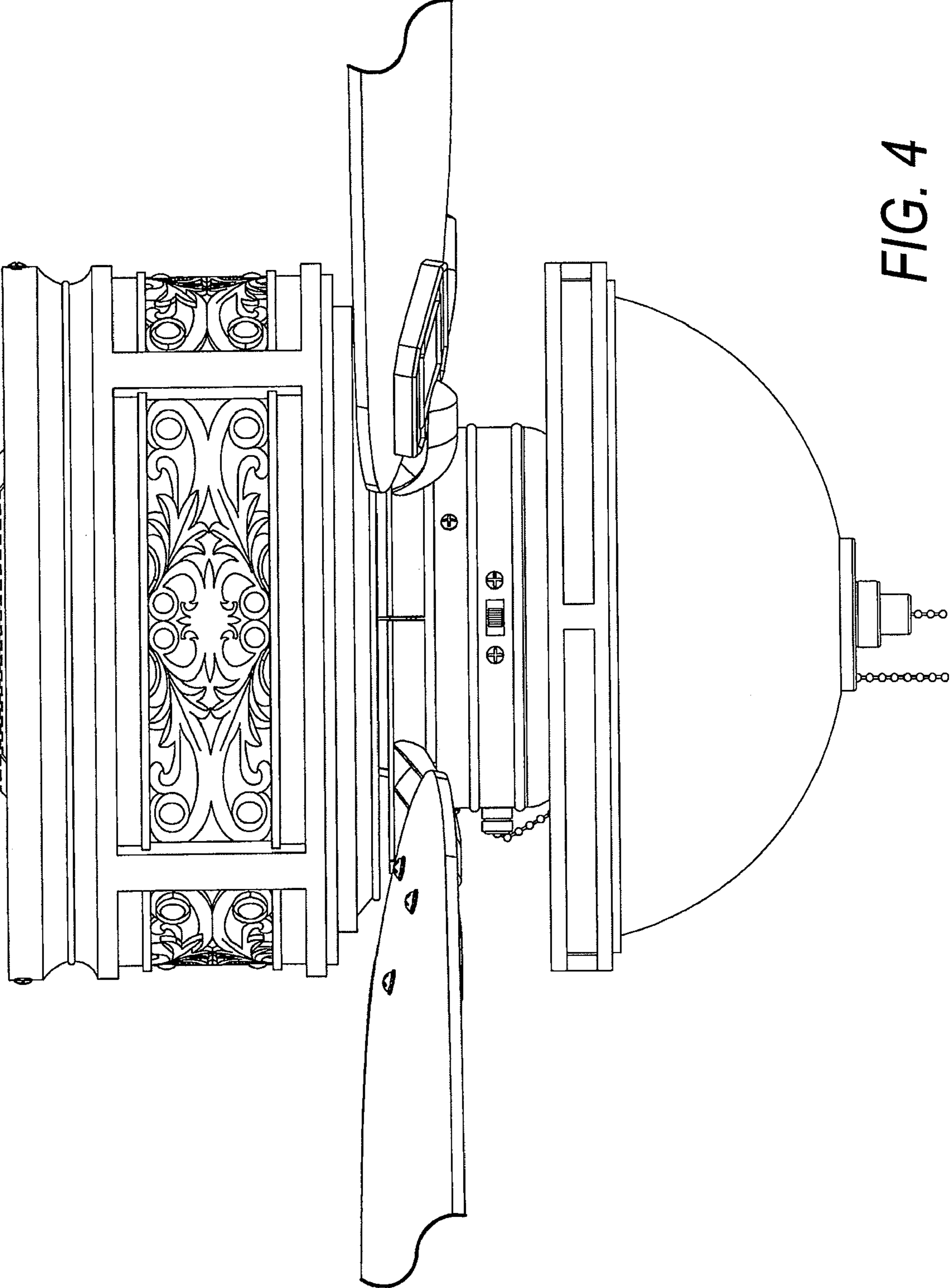


FIG. 4

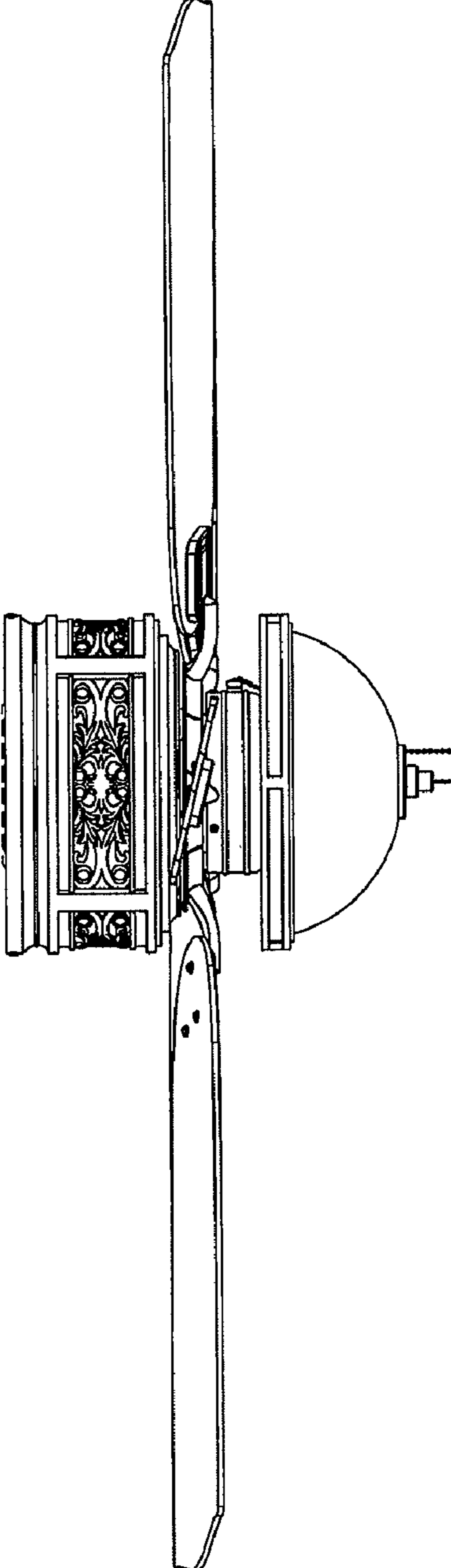


FIG. 5

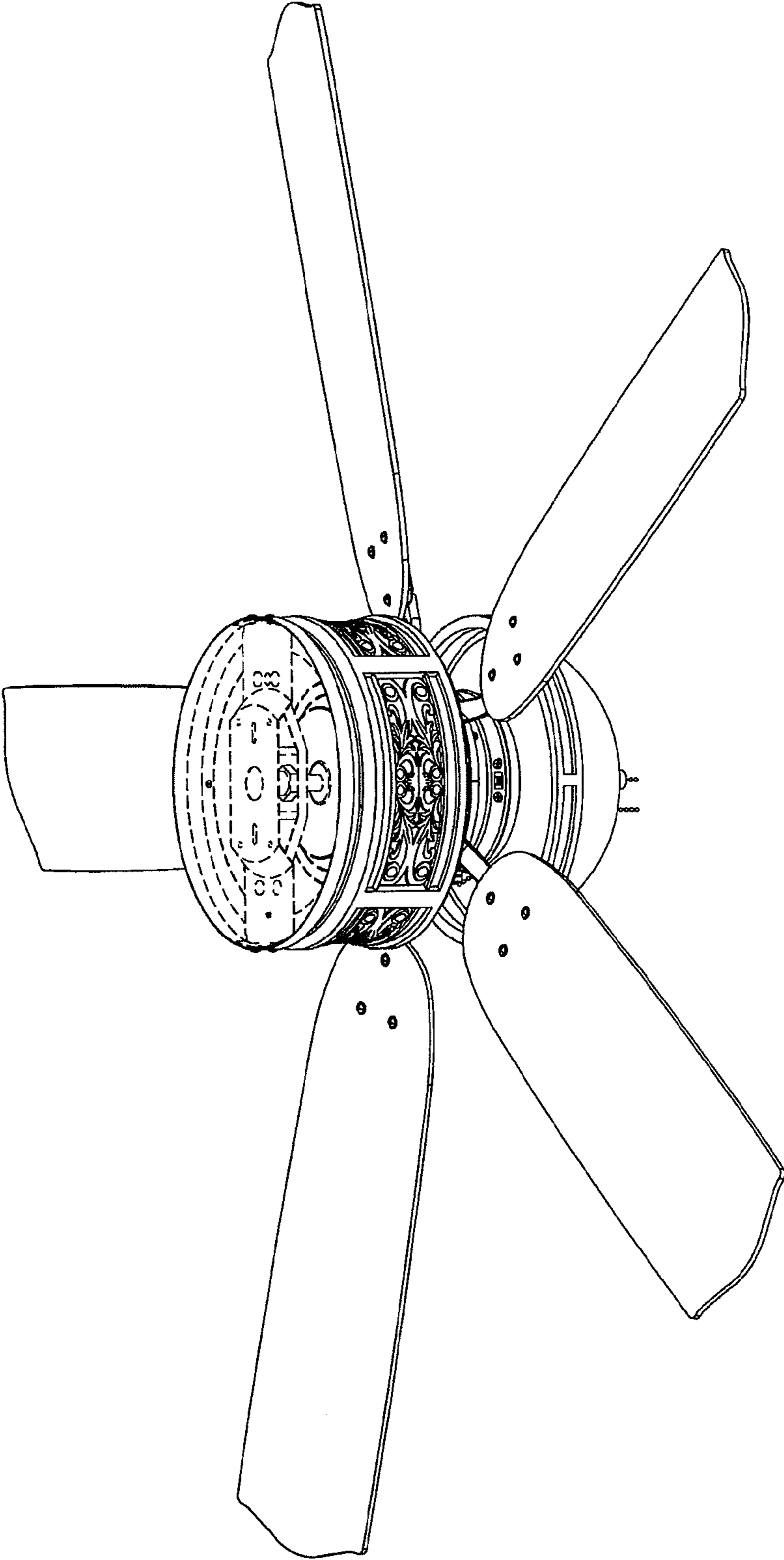


FIG. 6