



US00D599459S

(12) **United States Design Patent**
Hidalgo

(10) **Patent No.:** **US D599,459 S**

(45) **Date of Patent:** **** Sep. 1, 2009**

(54) **COMBINATION CEILING FAN AND LIGHT FIXTURE**

(75) Inventor: **Rolando Hidalgo**, Yorba Linda, CA (US)

(73) Assignee: **Minka Lighting, Inc.**, Corona, CA (US)

(**) Term: **14 Years**

(21) Appl. No.: **29/330,787**

(22) Filed: **Jan. 14, 2009**

(51) **LOC (9) Cl.** **23-04**

(52) **U.S. Cl.** **D23/377**

(58) **Field of Classification Search** D23/377,
D23/379, 385, 411, 413; 416/5
See application file for complete search history.

(56) **References Cited**

U.S. PATENT DOCUMENTS

D519,625 S * 4/2006 Young D23/377
D534,268 S * 12/2006 Young D23/377
D572,814 S * 7/2008 Bucher et al. D23/377

OTHER PUBLICATIONS

Casablanca Internet Catalog; S3; Model #93011M; printed from hansenwholesale.com on Dec. 9, 2008.

Casablanca Internet Catalog; Trident; Model #TR1H-11; printed from hansenwholesale.com on Dec. 9, 2008.

Regency Internet Catalog; Orbit; Model #RB-BN; printed from hansenwholesale.com on Dec. 9, 2008.

* cited by examiner

Primary Examiner—Lisa P Lichtenstein

(74) *Attorney, Agent, or Firm*—Baker & McKenzie LLP

(57) **CLAIM**

The ornamental design for a combination ceiling fan and light fixture, as shown and described.

DESCRIPTION

FIG. 1 is a bottom perspective view of a combination ceiling fan and light fixture showing an embodiment in accordance with my design;

FIG. 2 is an enlarged top plan view of the combination ceiling fan and light fixture in accordance with my design;

FIG. 3 is an enlarged bottom plan view of the combination ceiling fan and light fixture in accordance with my design;

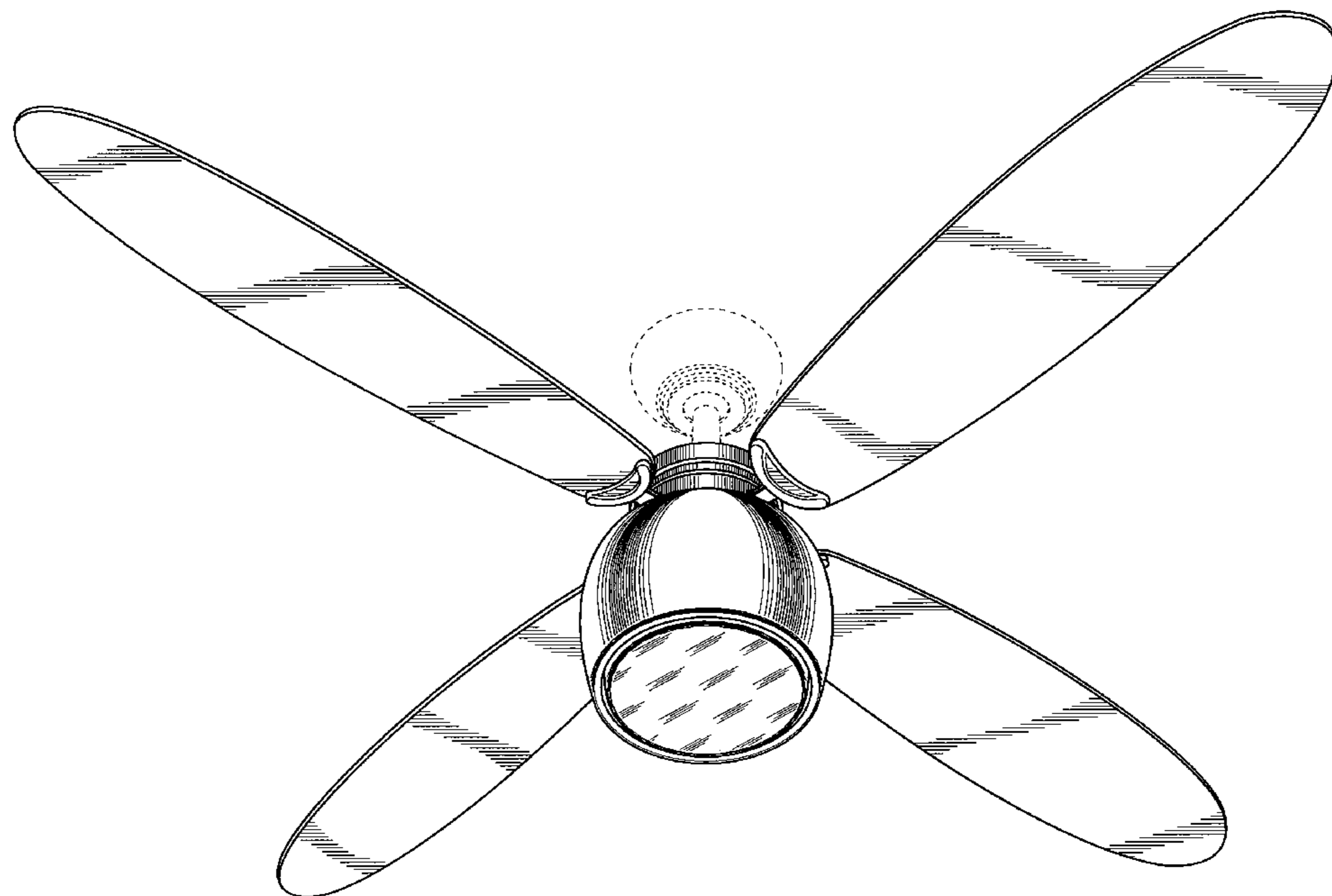
FIG. 4 is an enlarged side elevation view of the combination ceiling fan and light fixture in accordance with my design, the opposite side being a mirror image of that shown; and,

FIG. 5 is an enlarged front elevation view of the combination ceiling fan and light fixture in accordance with my design, the opposite side being a mirror image of that shown.

FIGS. 4 and 5 are identical except for the positioning of the fan blades.

The broken line showing of the canopy, support rod, and motor vent openings is included for the purpose of illustrating environmental structure and forms no part of the claimed design.

1 Claim, 5 Drawing Sheets



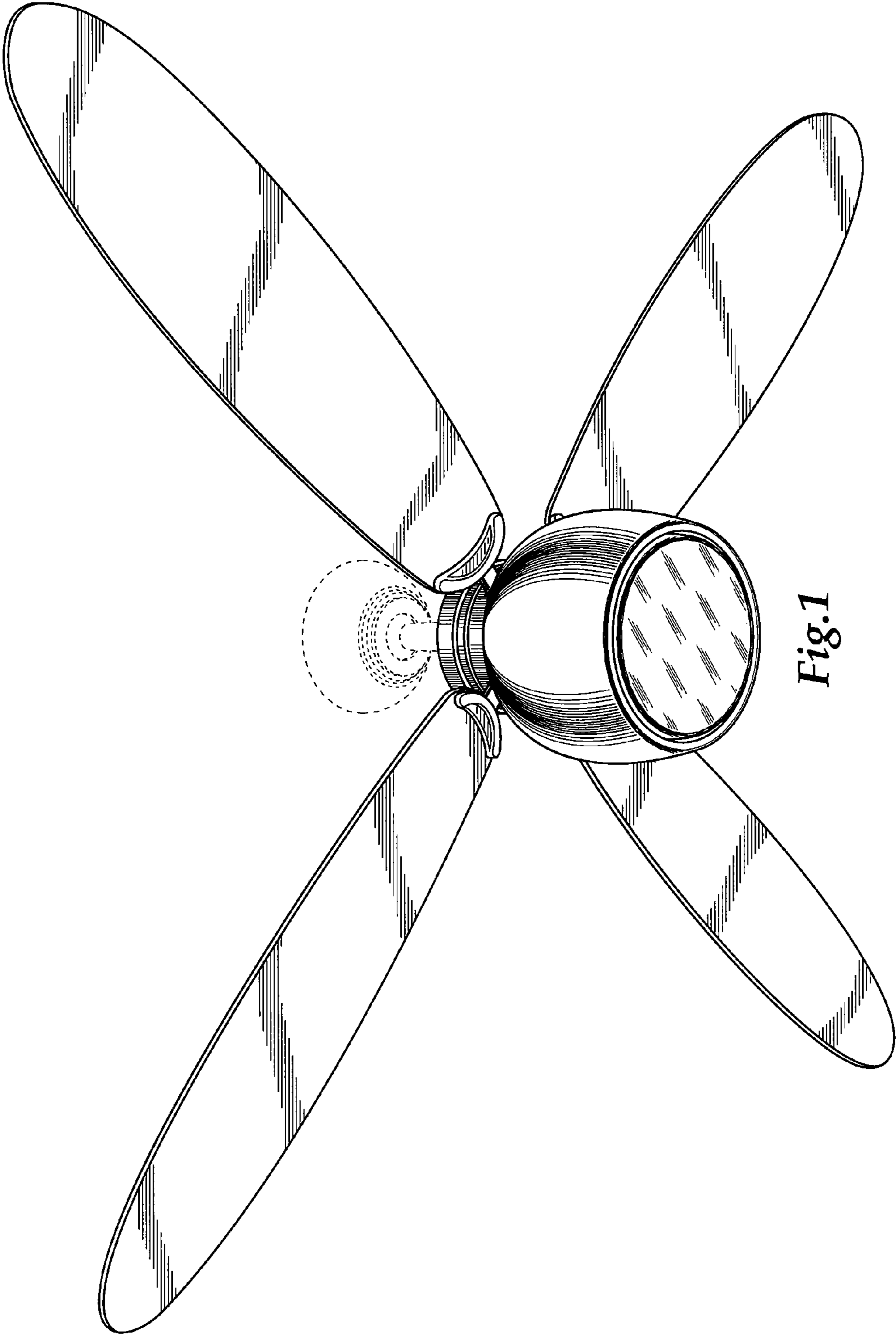


Fig. 1

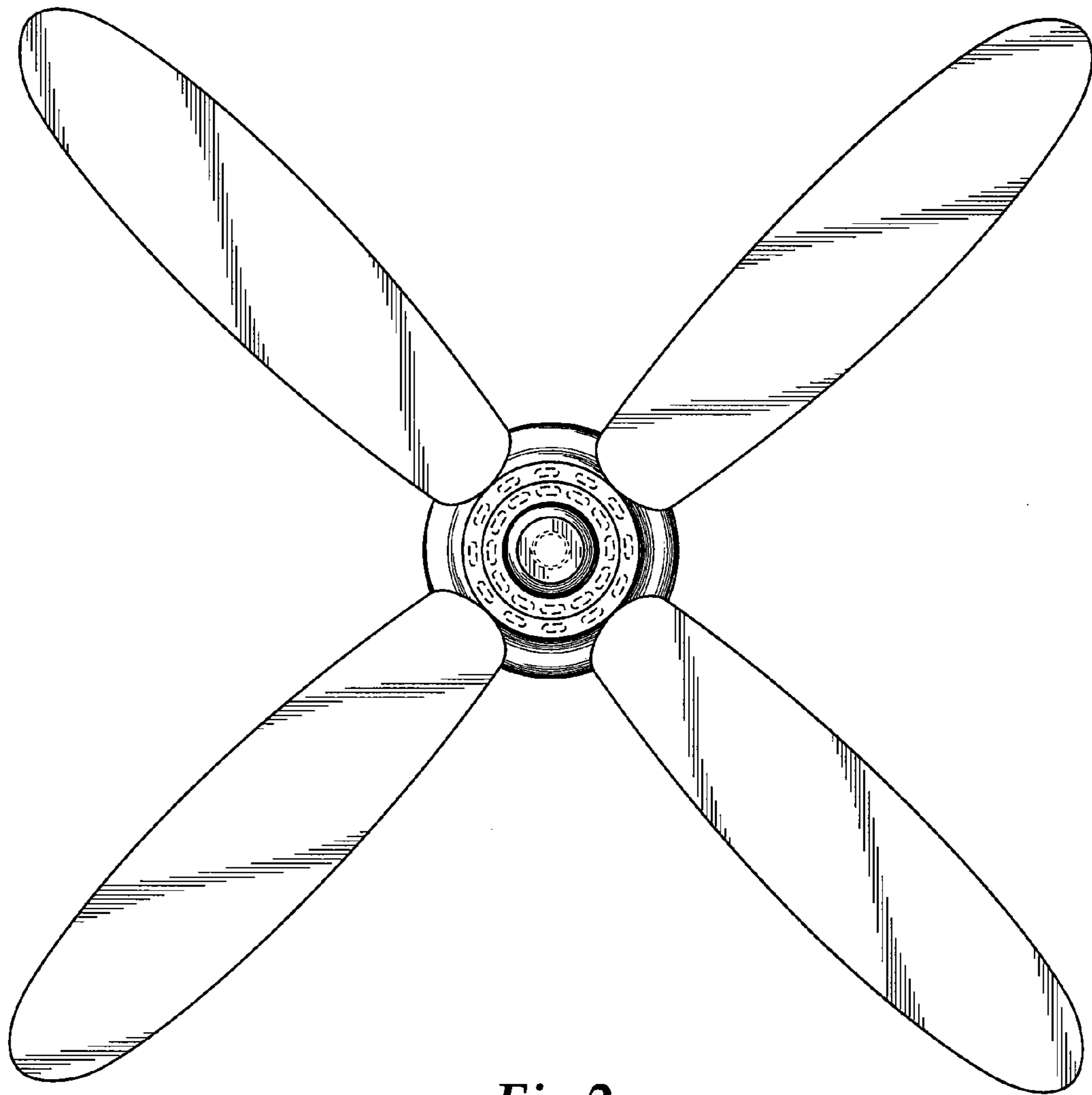


Fig.2

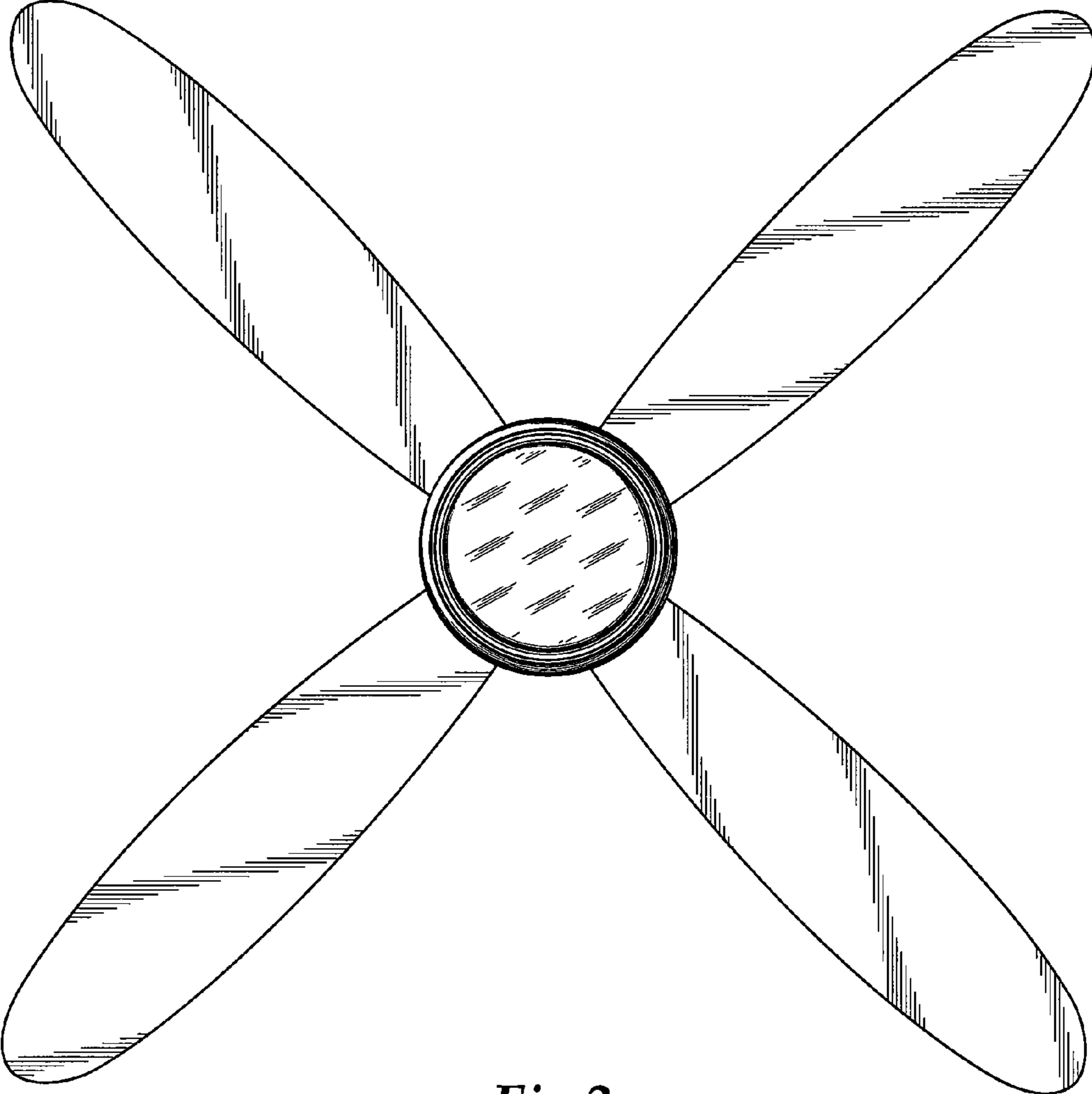


Fig.3

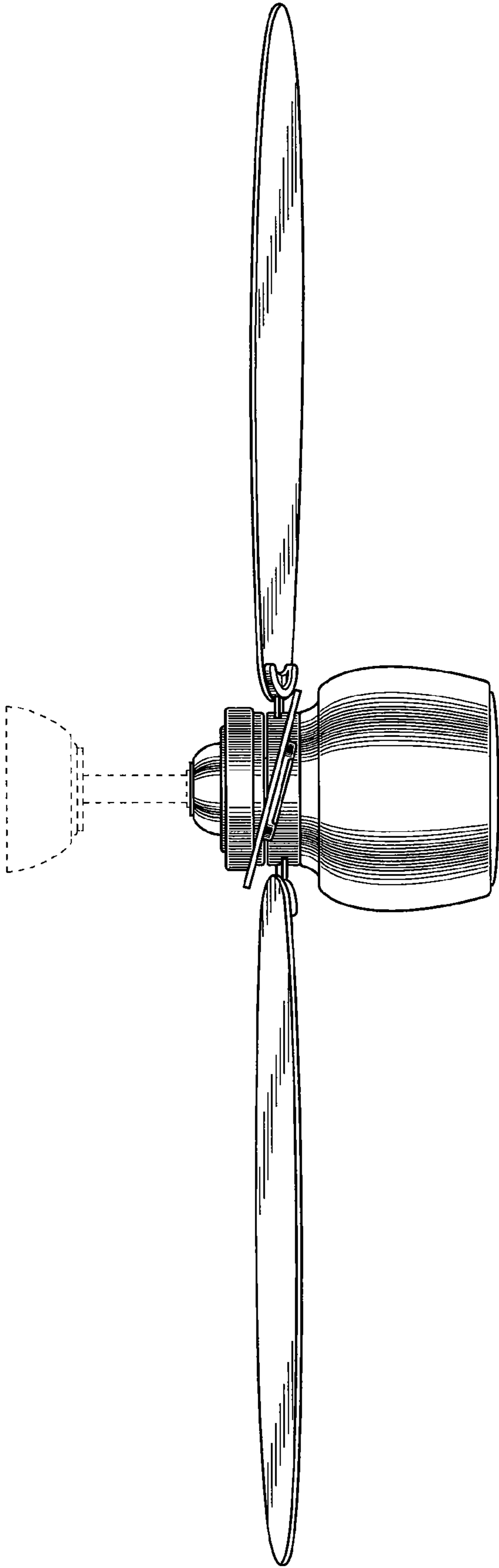


Fig.4

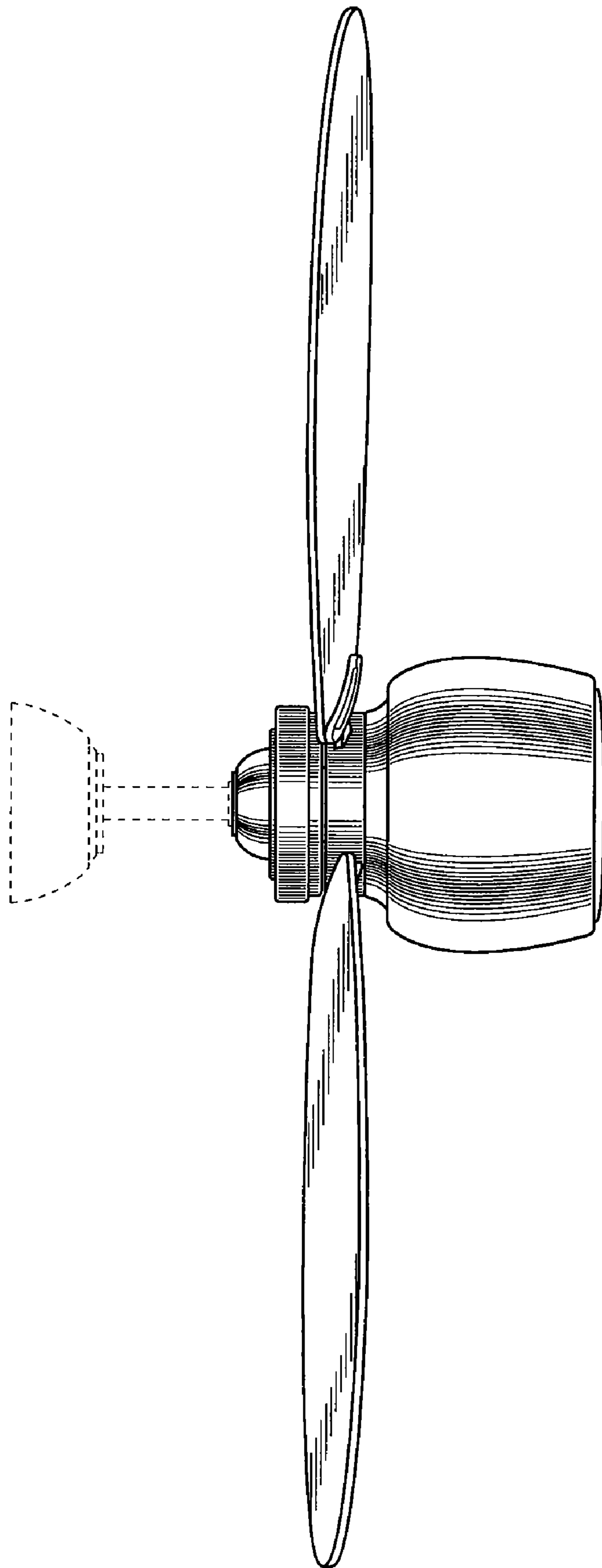


Fig.5