

US00D599458S

(12) **United States Design Patent**
Love et al.

(10) **Patent No.:** **US D599,458 S**
(45) **Date of Patent:** **** Sep. 1, 2009**

(54) **COMBINED CEILING FAN AND LIGHT**

(75) Inventors: **Brian Keith Love**, Davie, FL (US);
Margaret Hollis, Smyrna, GA (US)

(73) Assignee: **Chien Luen Industries Co., Ltd., Inc.**,
Oakland Park, FL (US)

(**) Term: **14 Years**

(21) Appl. No.: **29/323,228**

(22) Filed: **Aug. 21, 2008**

(51) **LOC (9) Cl.** **23-04**

(52) **U.S. Cl.** **D23/377**

(58) **Field of Classification Search** D23/377,
D23/379, 385, 411, 413; 416/5; D26/59,
D26/81-86, 71, 72; 362/96

See application file for complete search history.

(56) **References Cited**

U.S. PATENT DOCUMENTS

D307,320 S	4/1990	Shin-Chin
D322,669 S	12/1991	Yamamoto et al.
D323,885 S	2/1992	Wortham
D329,284 S	9/1992	Patton
D364,224 S	11/1995	Wang
D371,838 S	7/1996	Davis, Jr. et al.
D378,404 S	3/1997	Jaspers-Fayer
D384,738 S	10/1997	Jane
D402,026 S	12/1998	Chuang et al.
D408,518 S	4/1999	Liu
D411,295 S	6/1999	Evans
D412,571 S	8/1999	Lee
D414,856 S	10/1999	Zuege
D416,617 S	11/1999	Jane et al.
D421,799 S	3/2000	Zuege
D422,072 S	3/2000	Blateri
D423,093 S	4/2000	Fok
D426,296 S	6/2000	Blateri
D426,631 S	6/2000	Thakur
D426,879 S	6/2000	Gajewski
D443,352 S	6/2001	Lantz
D444,552 S	7/2001	Wang
D451,997 S	12/2001	Schwartz

D454,636 S	3/2002	Lantz
D459,467 S	6/2002	Wilson, Jr.
D462,756 S	9/2002	Liu
D464,712 S	10/2002	Lord
D469,950 S	2/2003	Scalise et al.
D479,874 S	9/2003	Shapiro
D480,466 S	10/2003	Bucher et al.
D480,471 S	10/2003	Hsieh
D482,778 S	11/2003	Shapiro

(Continued)

Primary Examiner—Lisa P Lichtenstein

(74) *Attorney, Agent, or Firm*—Brian S. Steinberger; Law
Offices of Brian S. Steinberger, P.A.

(57) **CLAIM**

The ornamental design for a combined ceiling fan and light,
as shown and described.

DESCRIPTION

FIG. 1 is a lower front side perspective view of a first embodi-
ment design of the combined ceiling fan and light.

FIG. 2 is an upper front side perspective view of the first
embodiment design of FIG. 1.

FIG. 3 is a front side view of the first embodiment design of
FIG. 1.

FIG. 4 is a rear side view of the first embodiment design of
FIG. 1.

FIG. 5 is a right side view of the first embodiment design of
FIG. 1.

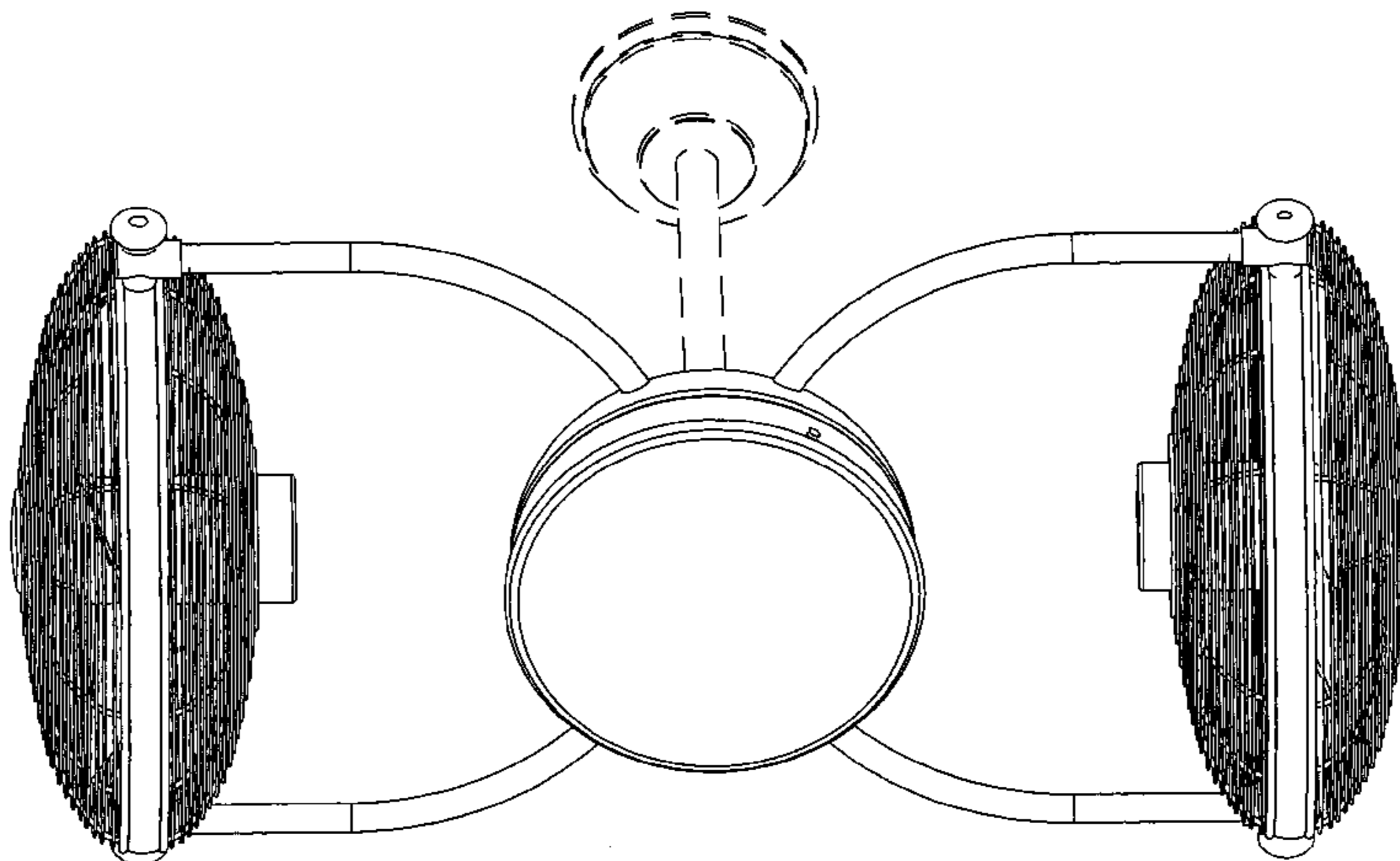
FIG. 6 is a left side view of the first embodiment design of
FIG. 1.

FIG. 7 is a top view of the first embodiment design of FIG. 1;
and,

FIG. 8 is a bottom view of the first embodiment design of FIG.
1.

The broken line showing of the ceiling mount cap and exten-
sion rod is included for the purpose of illustrating environ-
mental structure and forms no part of the claimed design.

1 Claim, 8 Drawing Sheets



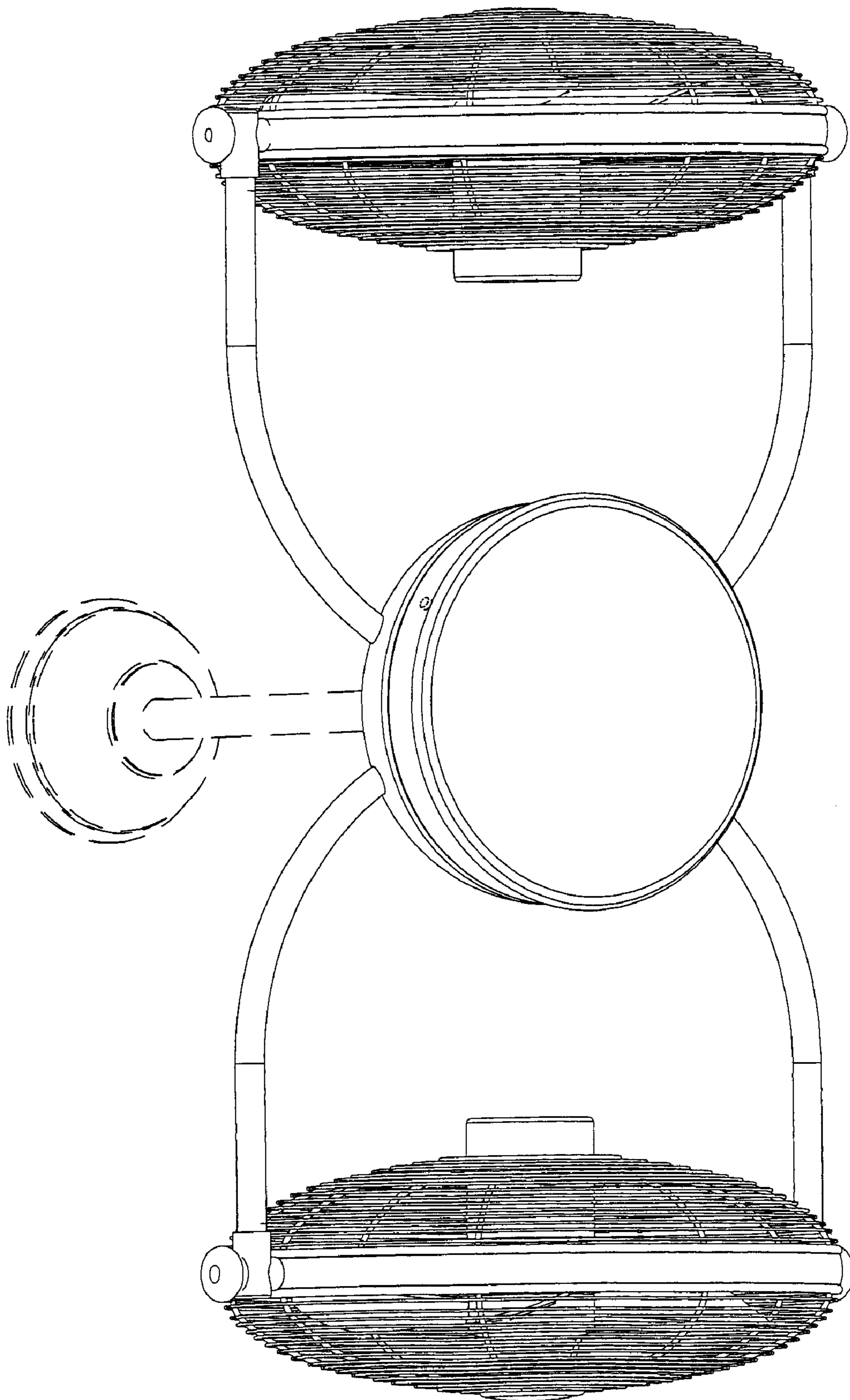
US D599,458 S

Page 2

U.S. PATENT DOCUMENTS

D483,466 S	12/2003	Shapiro					
D484,234 S	12/2003	Wilson, Jr.					
D486,216 S	2/2004	Wilson, Jr.					
D486,217 S	2/2004	Shapiro					
D486,218 S	2/2004	Shapiro					
D486,222 S	2/2004	Shapiro					
D488,551 S	4/2004	Shapiro					
D490,146 S *	5/2004	Gajewski	D23/377	* cited by examiner			
					D495,817 S	9/2004	Bucher et al.
					D496,119 S	9/2004	Bucher et al.
					D497,022 S	10/2004	Bucher et al.
					D500,160 S	12/2004	Bucher et al.
					D500,161 S	12/2004	Bucher et al.
					D500,876 S	1/2005	Bucher et al.
					D523,137 S	6/2006	Wang
					D567,350 S *	4/2008	Hidalgo et al. D23/377

FIG. 1



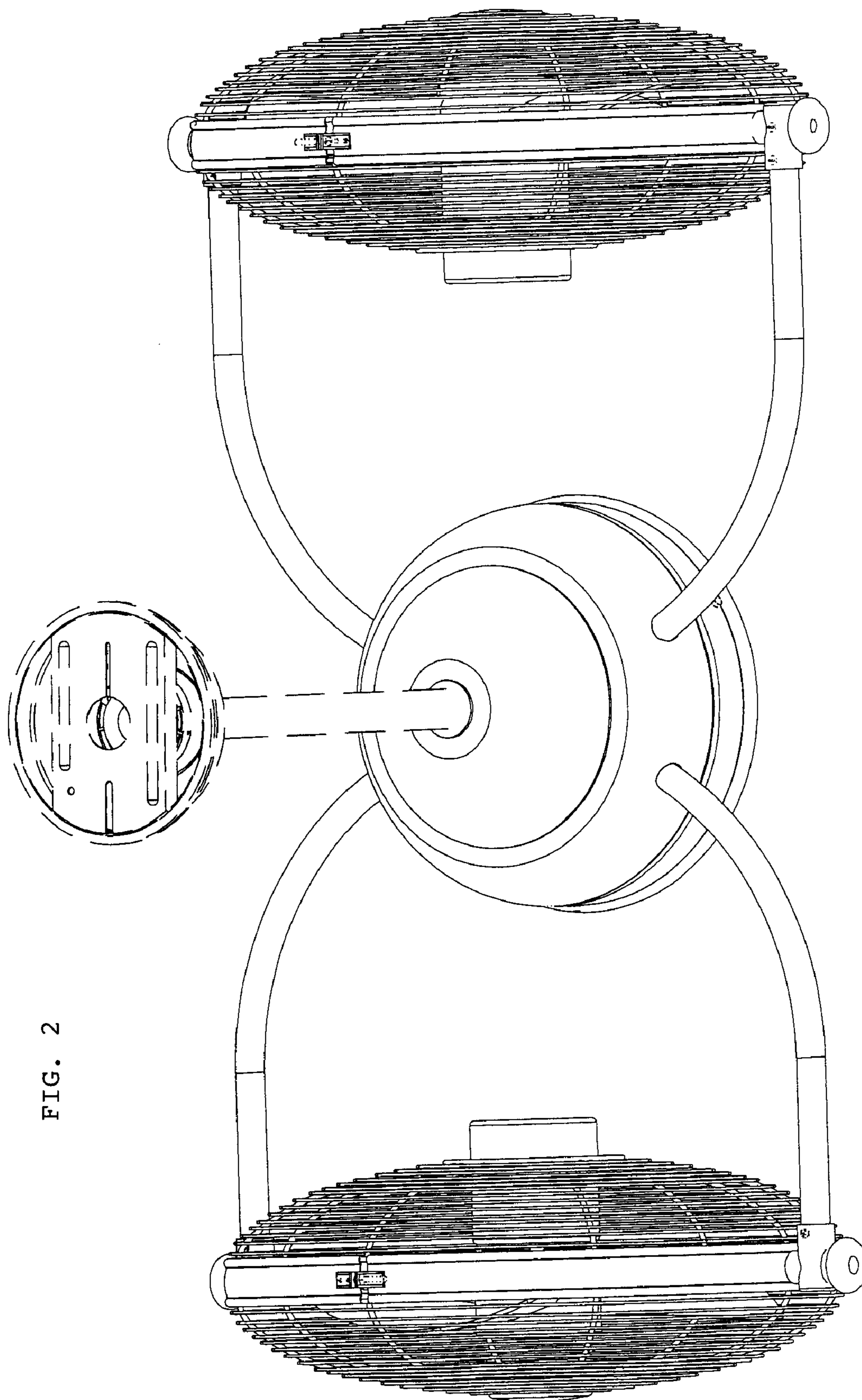


FIG. 2

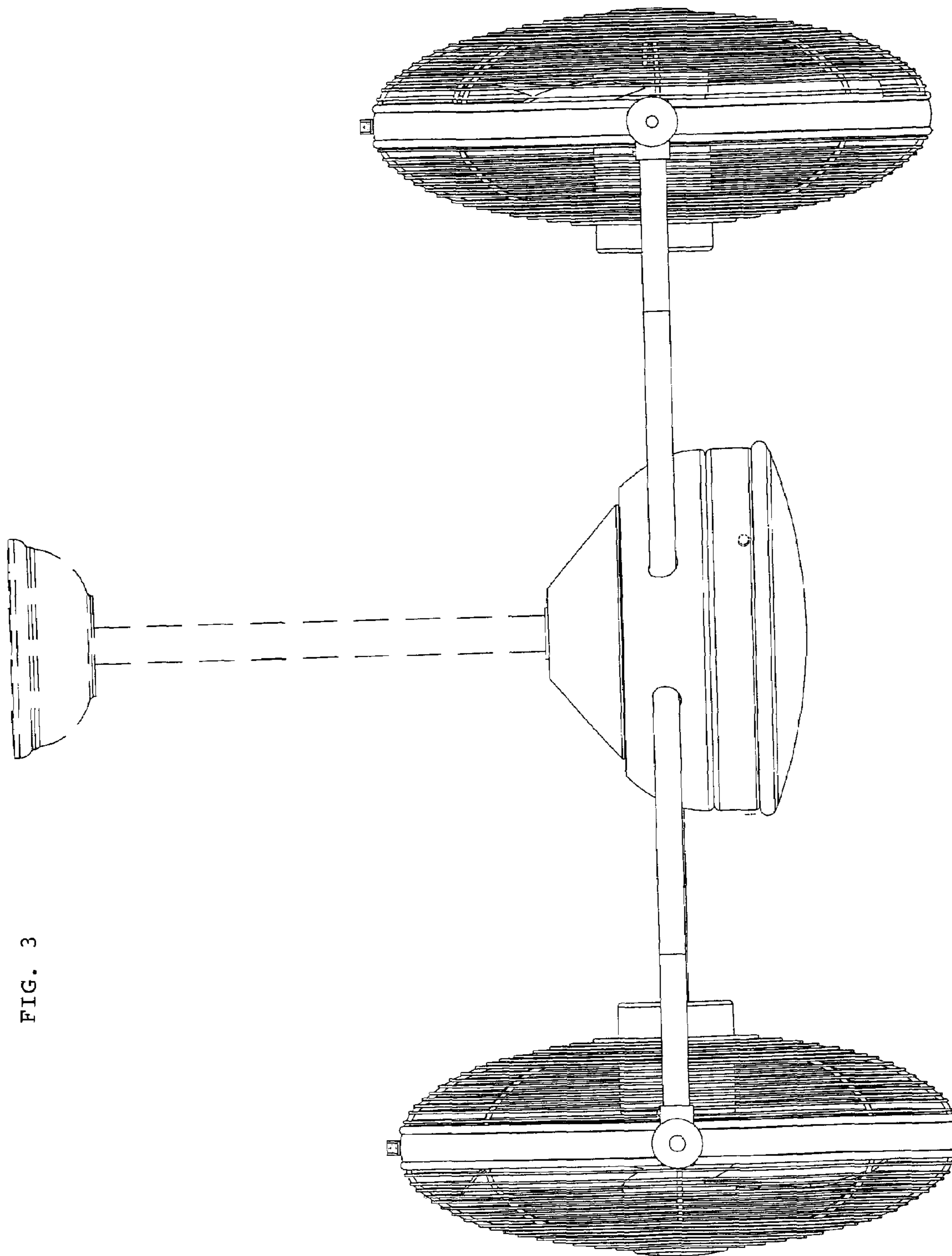


FIG. 3

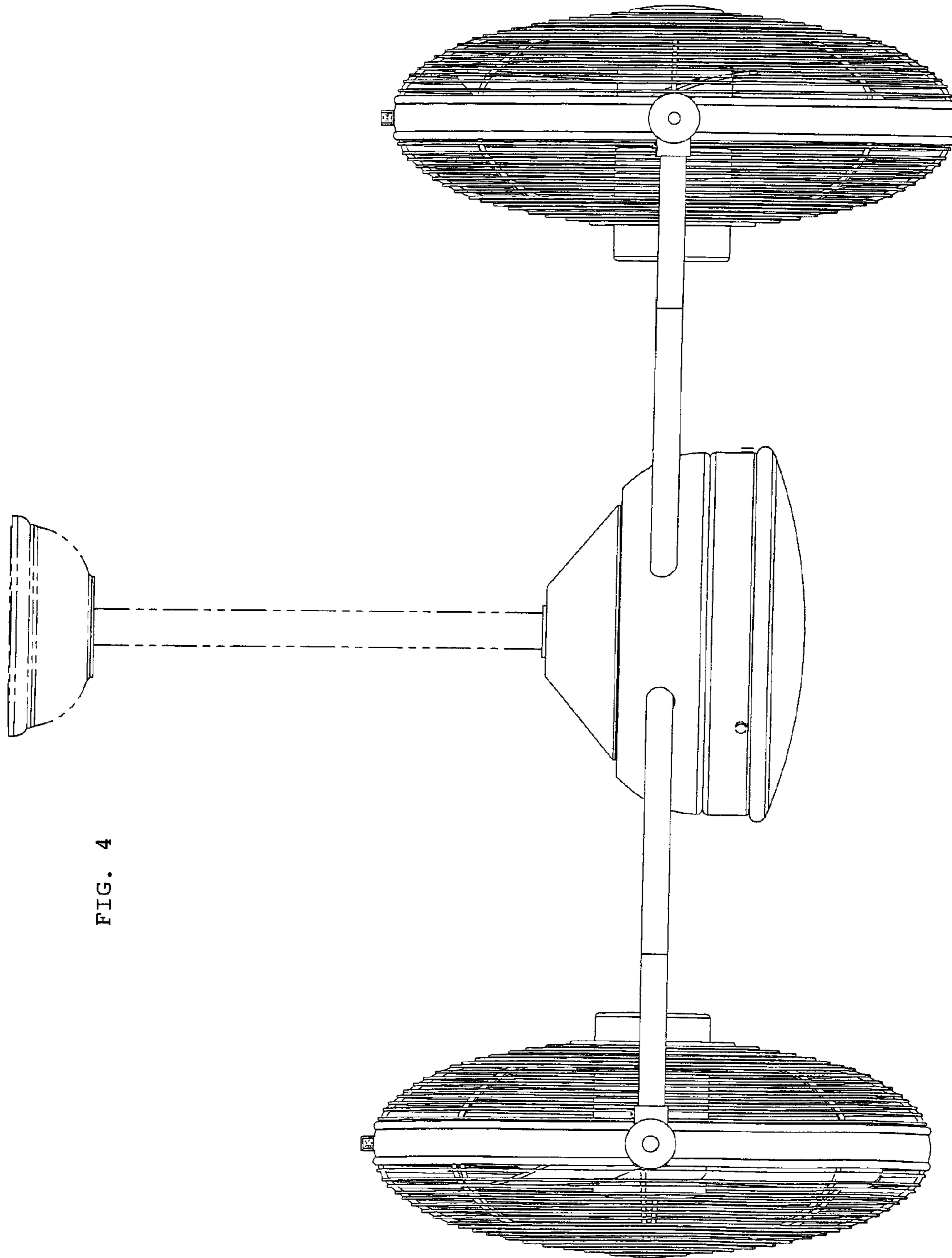


FIG. 4

FIG. 5

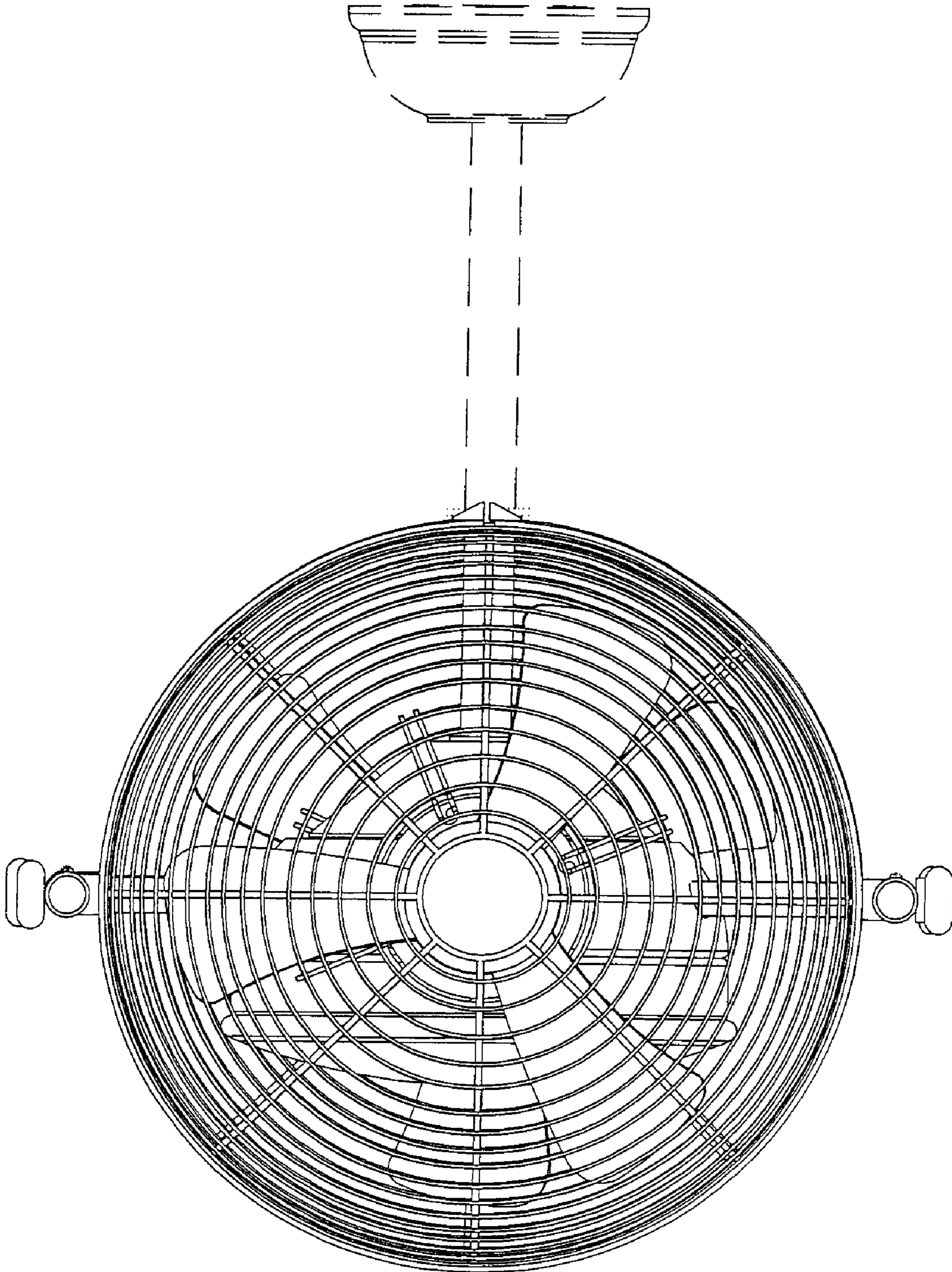
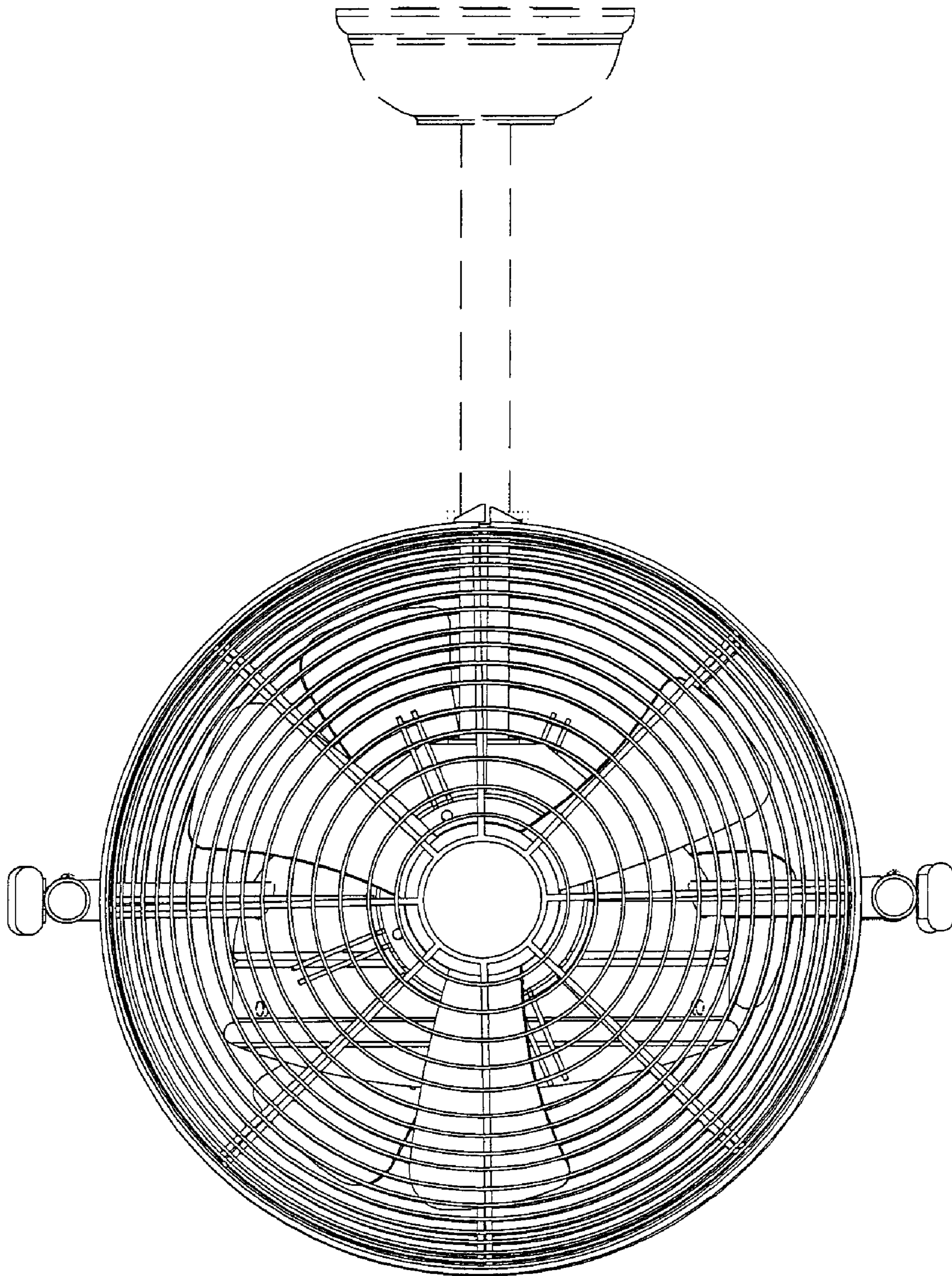


FIG. 6



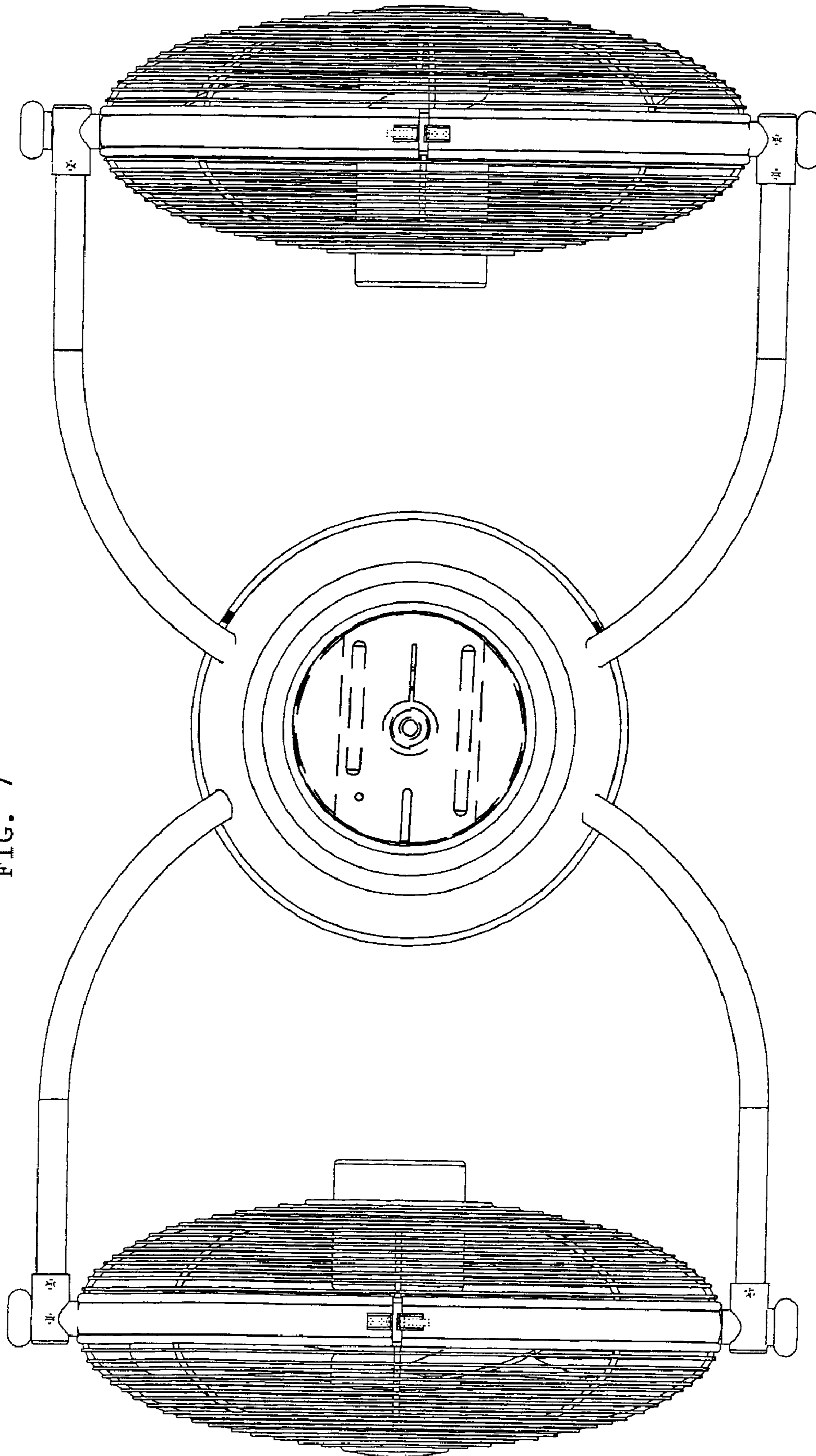


FIG. 7

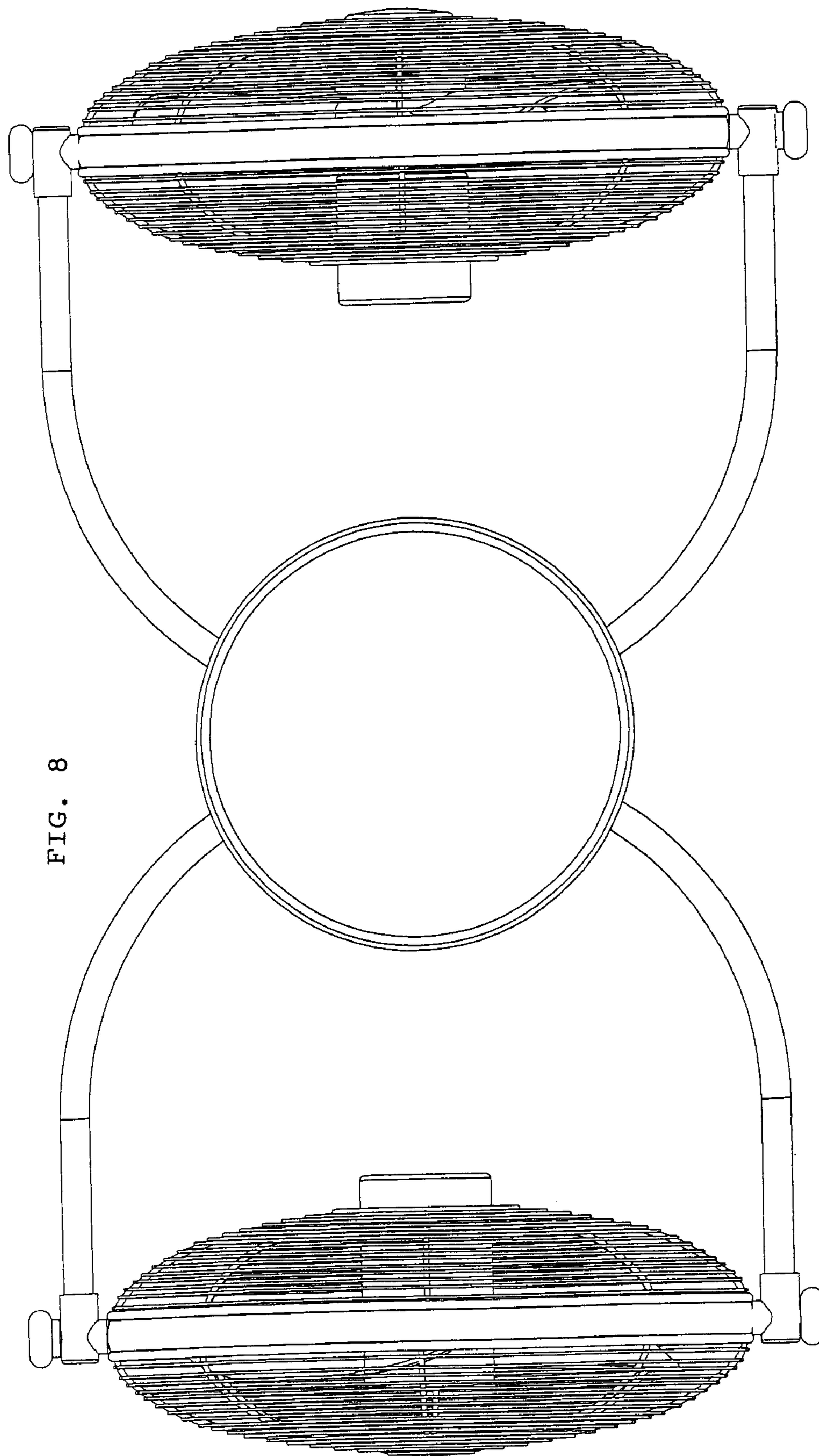


FIG. 8