



US00D599447S

(12) **United States Design Patent**  
**Cummings et al.**

(10) **Patent No.:** **US D599,447 S**

(45) **Date of Patent:** **\*\* Sep. 1, 2009**

(54) **CONNECTOR FOR A P-TRAP TOILET PAN**

(75) Inventors: **Stephen John Cummings**, Newport (AU); **Johann Karunaratne**, Allambie Heights (AU)

(73) Assignee: **Caroma Industries Limited**, Brisbane (AU)

(\*\*) Term: **14 Years**

(21) Appl. No.: **29/328,032**

(22) Filed: **Nov. 18, 2008**

(51) **LOC (9) Cl.** ..... **23-01**

(52) **U.S. Cl.** ..... **D23/268**

(58) **Field of Classification Search** ..... D23/259–269;  
4/79, 81, 95, DIG. 13, DIG. 16, 286; 285/42  
See application file for complete search history.

(56) **References Cited**

U.S. PATENT DOCUMENTS

2,236,802	A *	4/1941	McDonald	.....	138/113
D195,242	S *	5/1963	Kelly	.....	D23/263
D195,243	S *	5/1963	Kelly	.....	D23/263
3,994,031	A *	11/1976	Bishop	.....	4/679
4,179,762	A *	12/1979	Barnhardt et al.	.....	4/679
5,267,361	A *	12/1993	Lai	.....	4/679
D386,569	S *	11/1997	Trueb et al.	.....	D23/268
D443,680	S *	6/2001	Cummings	.....	D23/266
6,308,350	B1 *	10/2001	Marchionda	.....	4/679
D475,778	S *	6/2003	Stout, Jr.	.....	D23/393
6,588,803	B2 *	7/2003	Vila	.....	285/134.1
D483,097	S *	12/2003	Napoli	.....	D23/266
6,845,527	B1 *	1/2005	Kohn	.....	4/679

D531,285	S *	10/2006	Williams	.....	D23/268
D549,805	S *	8/2007	Quach	.....	D23/268
7,428,909	B2 *	9/2008	Klein et al.	.....	137/247.33
D589,127	S *	3/2009	Cornwall	.....	D23/268
2003/0213063	A1 *	11/2003	Mayer et al.	.....	4/679
2007/0056093	A1 *	3/2007	Havens	.....	4/679
2008/0148477	A1 *	6/2008	Shafik	.....	4/679
2008/0222798	A1 *	9/2008	Ericson	.....	4/679

\* cited by examiner

*Primary Examiner*—T. Chase Nelson

*Assistant Examiner*—Eric L Goodman

(74) *Attorney, Agent, or Firm*—Dascenzo Intellectual Property Law, P.C.

(57) **CLAIM**

We claim the ornamental design for a connector for a P-trap toilet pan, as shown and described.

**DESCRIPTION**

FIG. 1 is a front perspective view showing the new design.

FIG. 2 is a rear perspective view of the new design.

FIG. 3 is a front view of the new design.

FIG. 4 is a rear view of the new design.

FIG. 5 is a right side view of the new design.

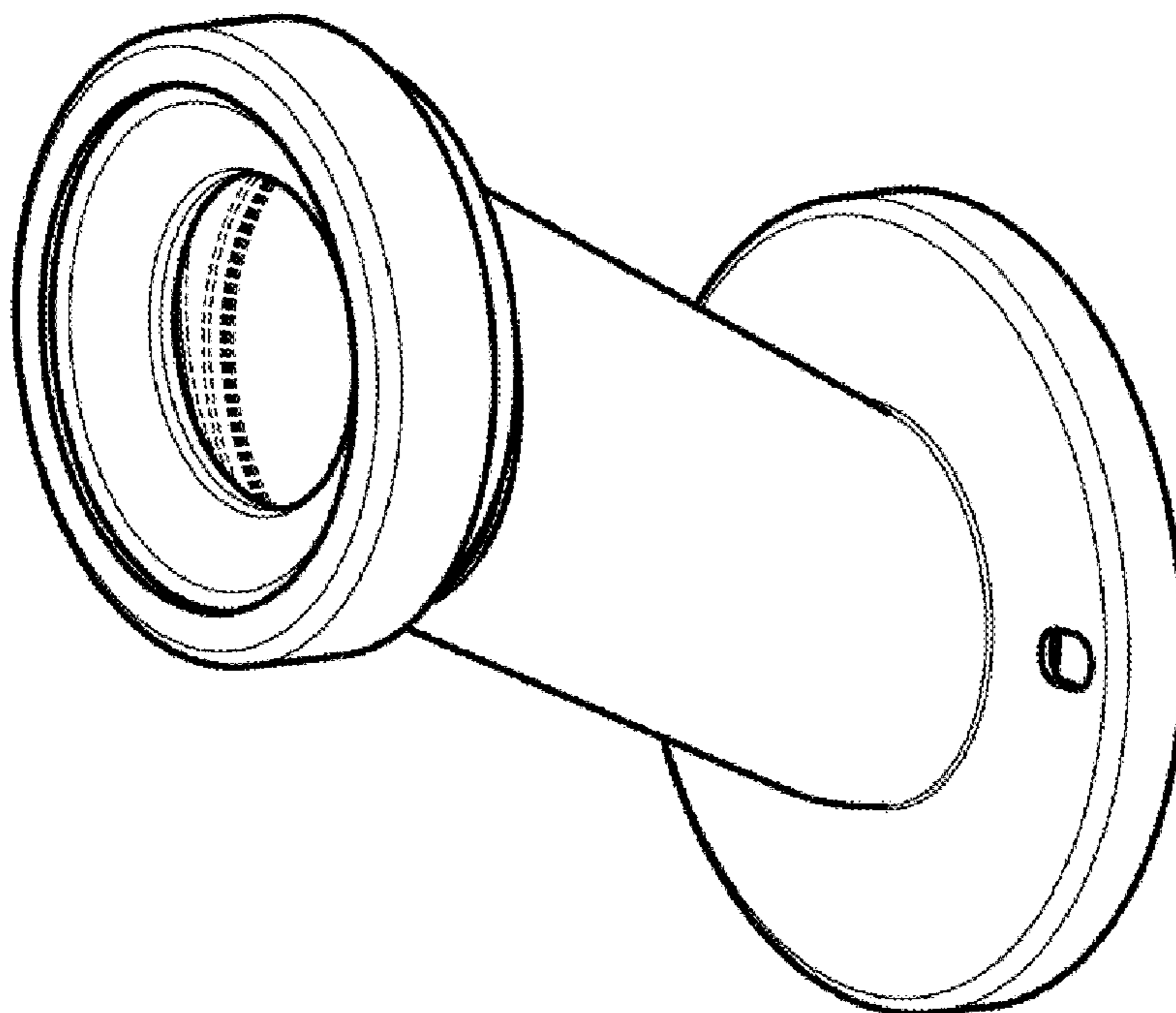
FIG. 6 is a left side view of the new design.

FIG. 7 is a top view of the new design; and,

FIG. 8 is a bottom view of the new design.

The broken line(s) shown in the drawings are for illustrative purposes only and form no part of the claimed design.

**1 Claim, 2 Drawing Sheets**



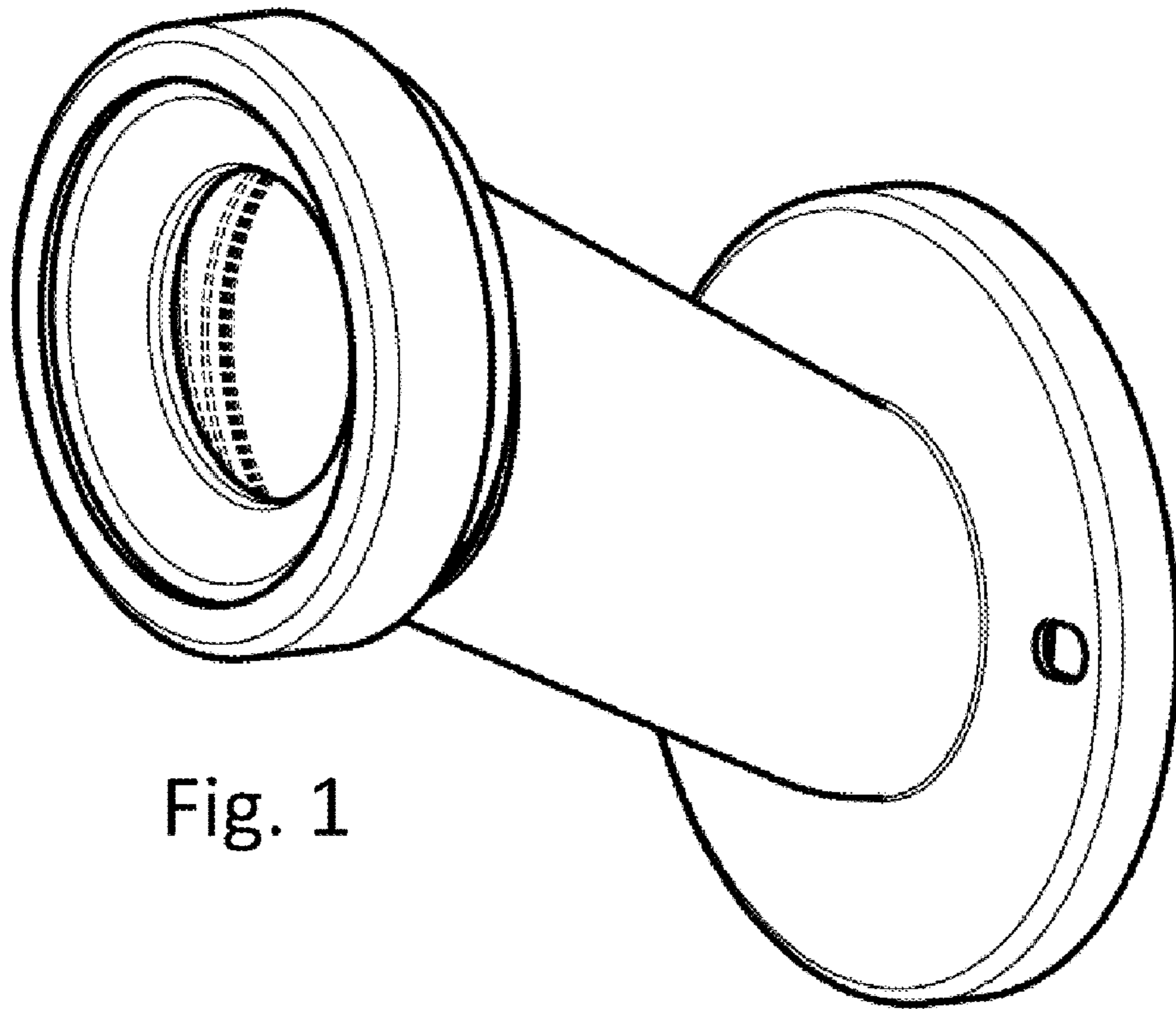


Fig. 1

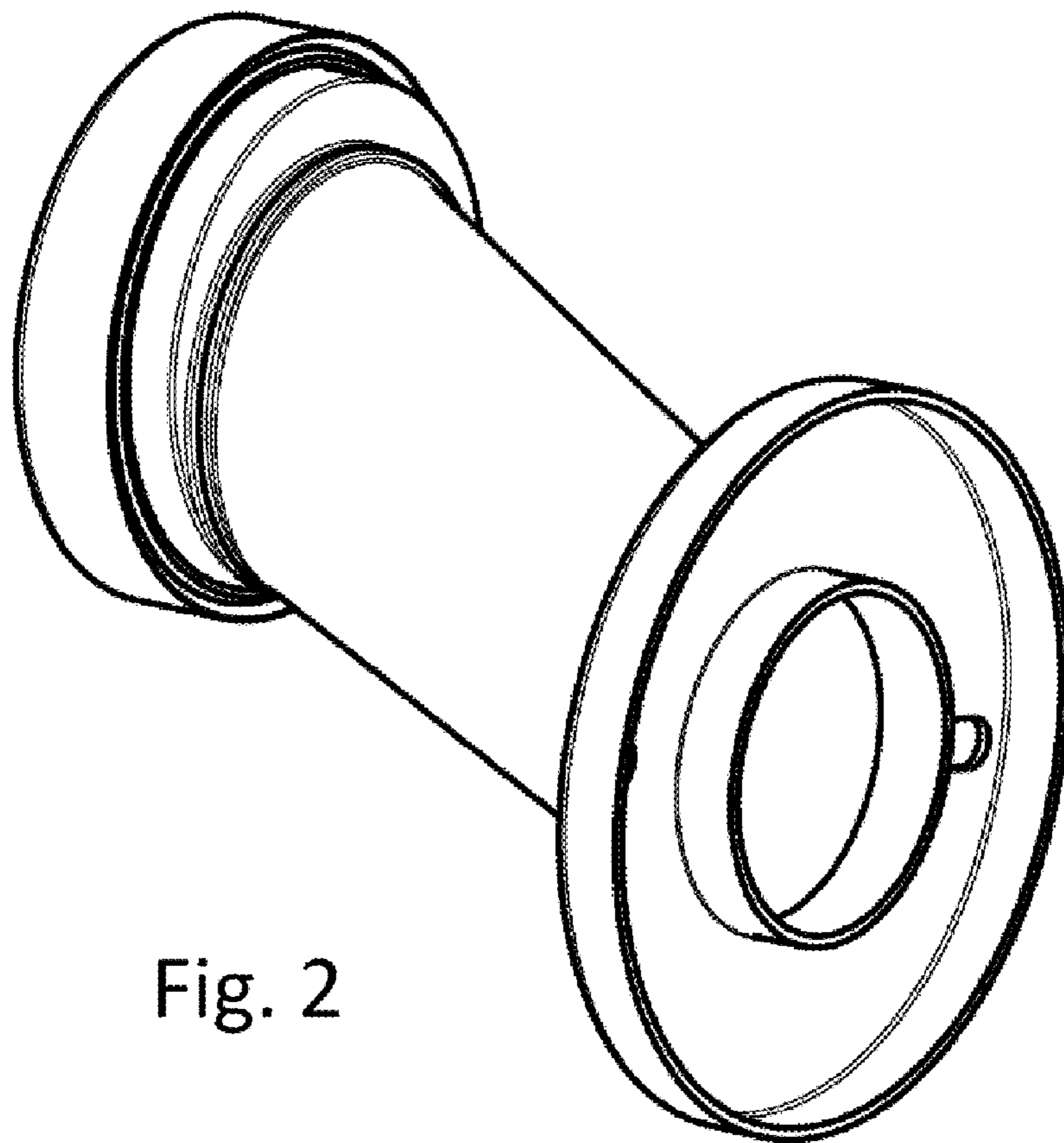


Fig. 2

Fig. 3

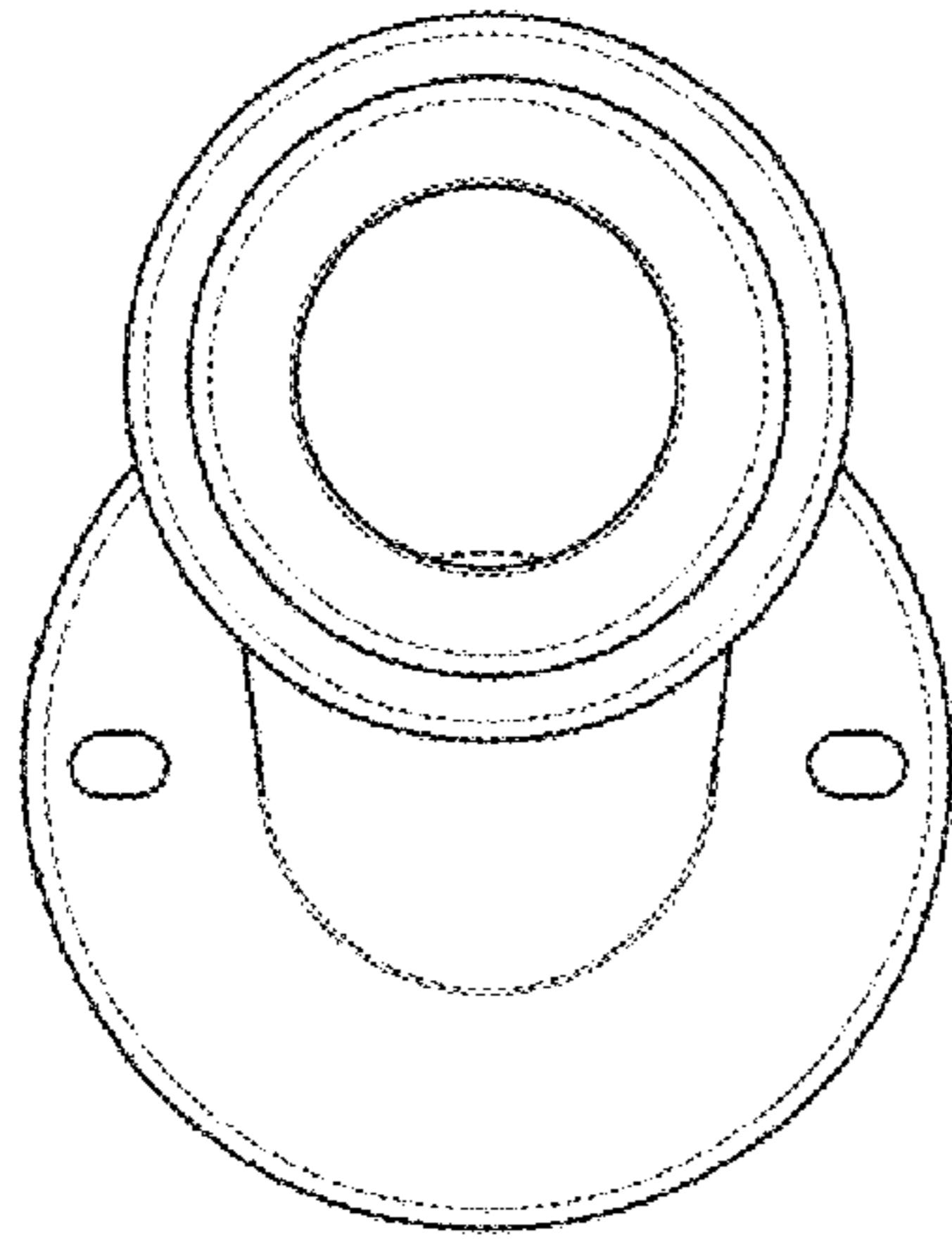


Fig. 4

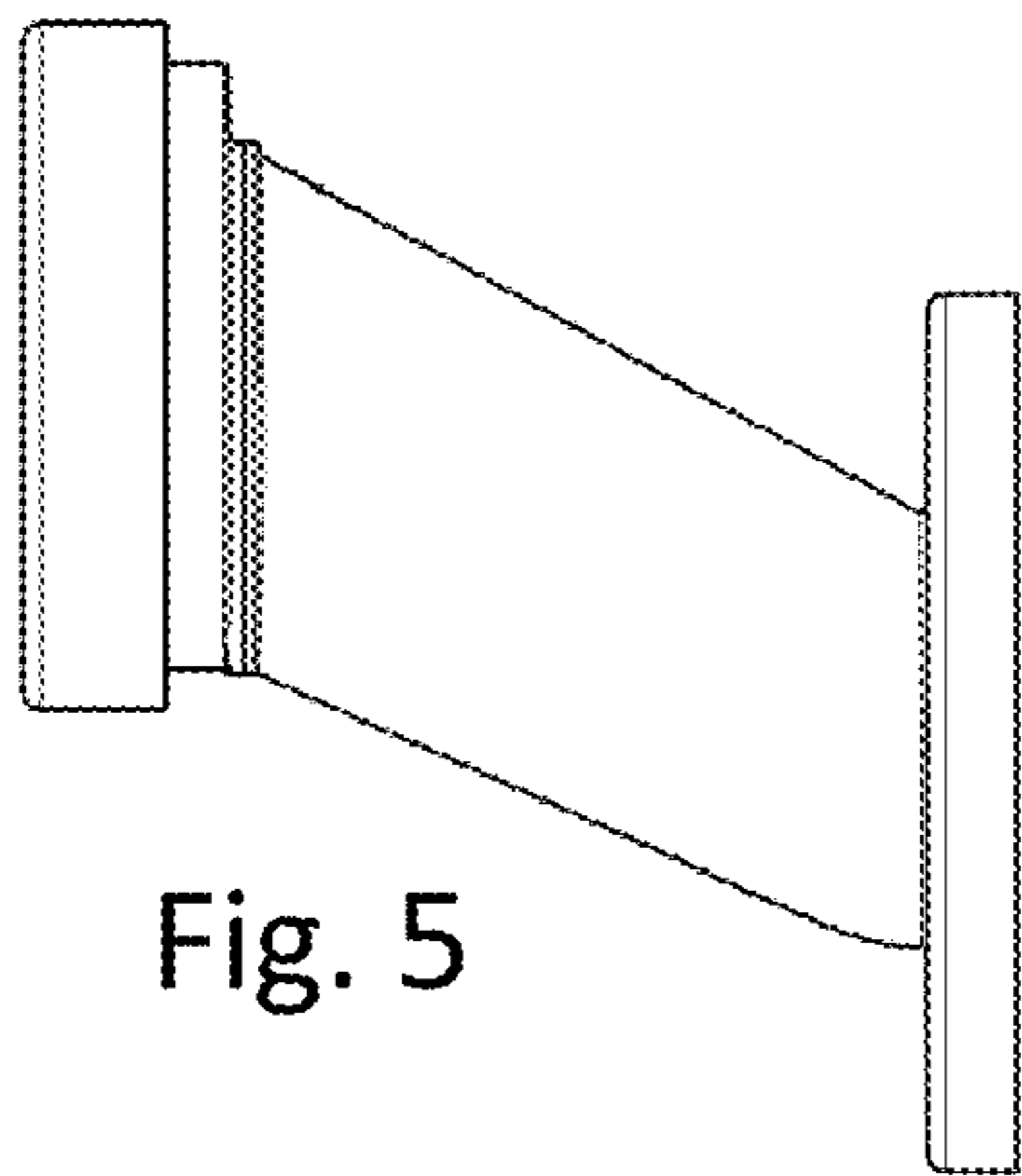
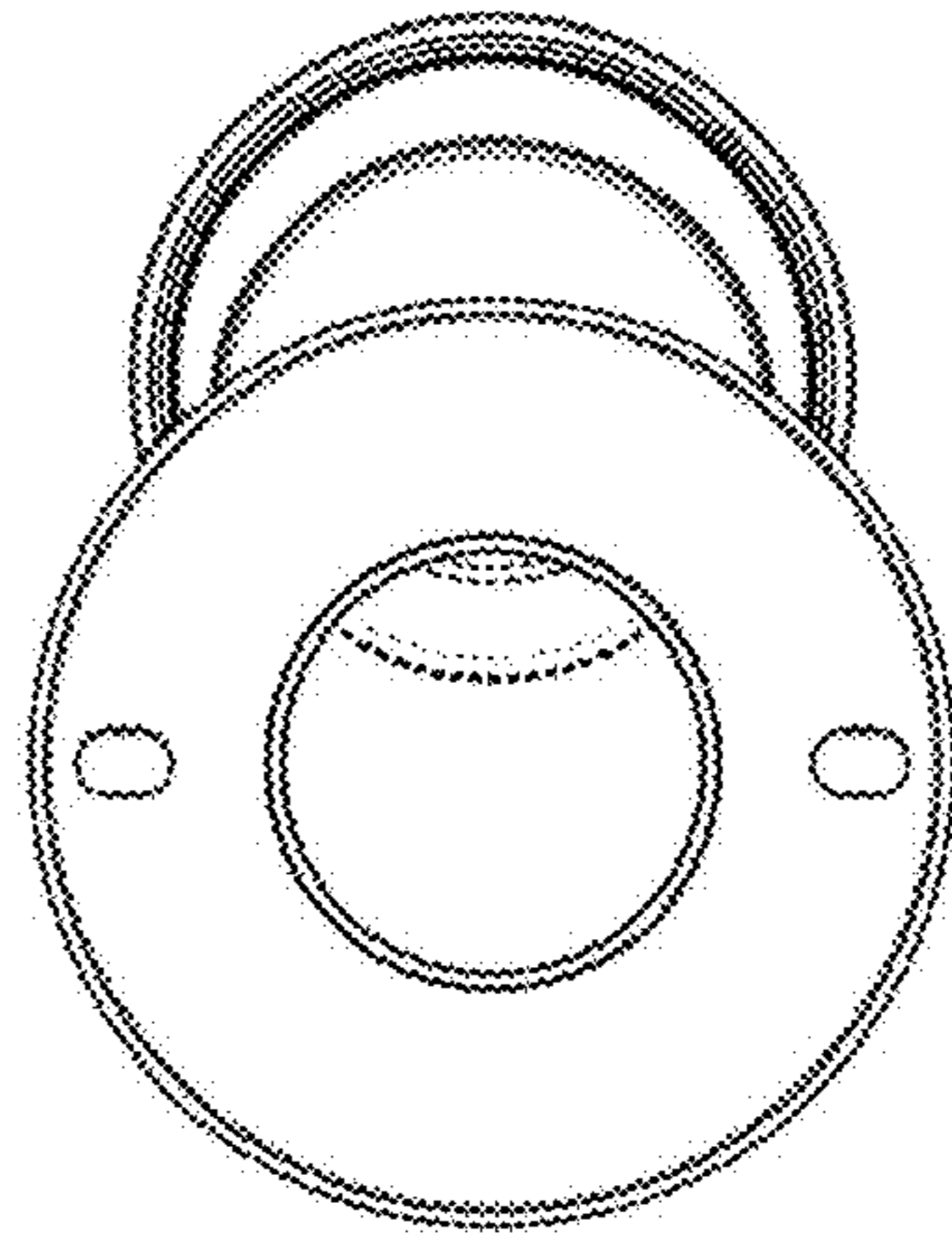


Fig. 5

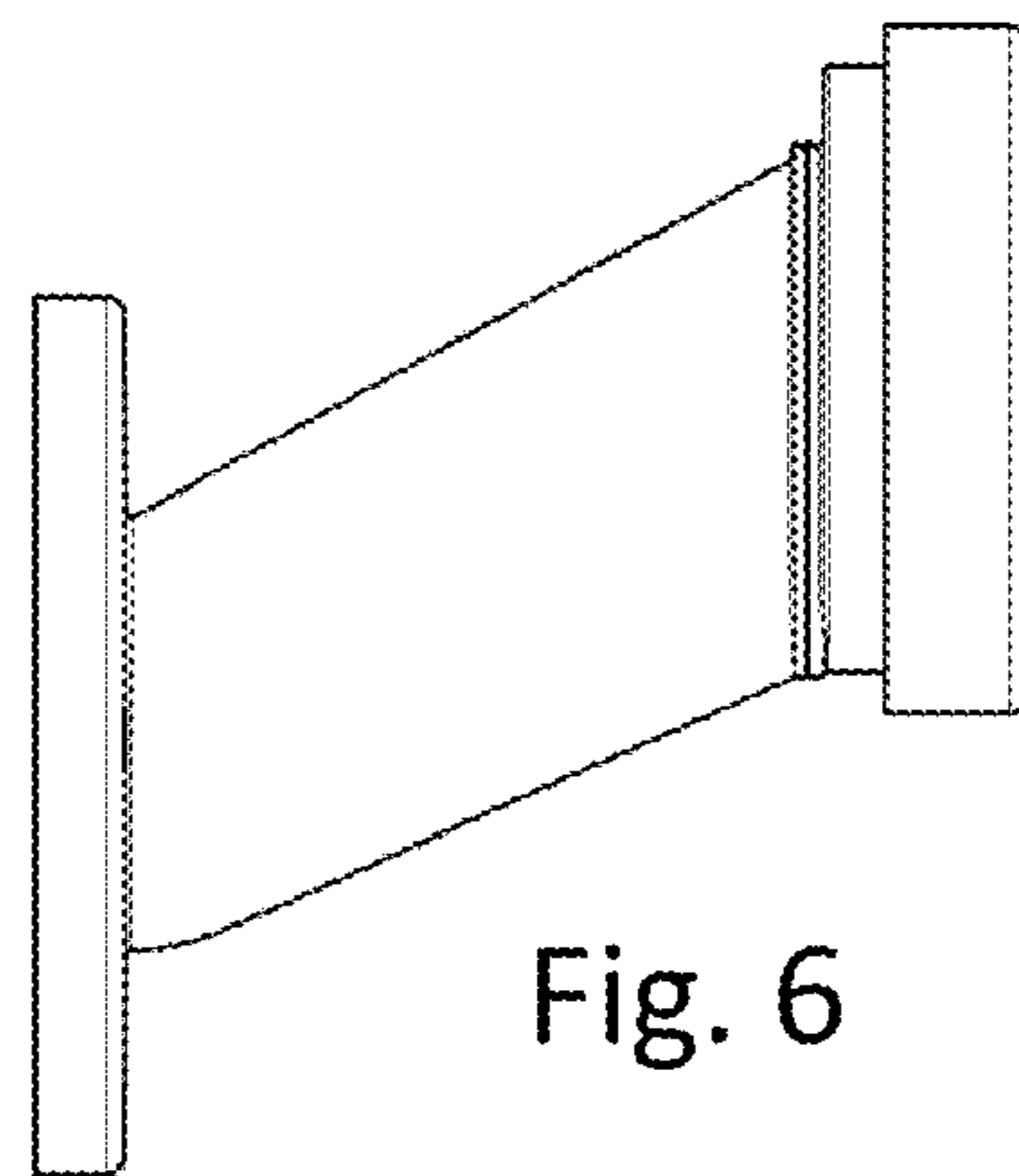


Fig. 6

Fig. 7

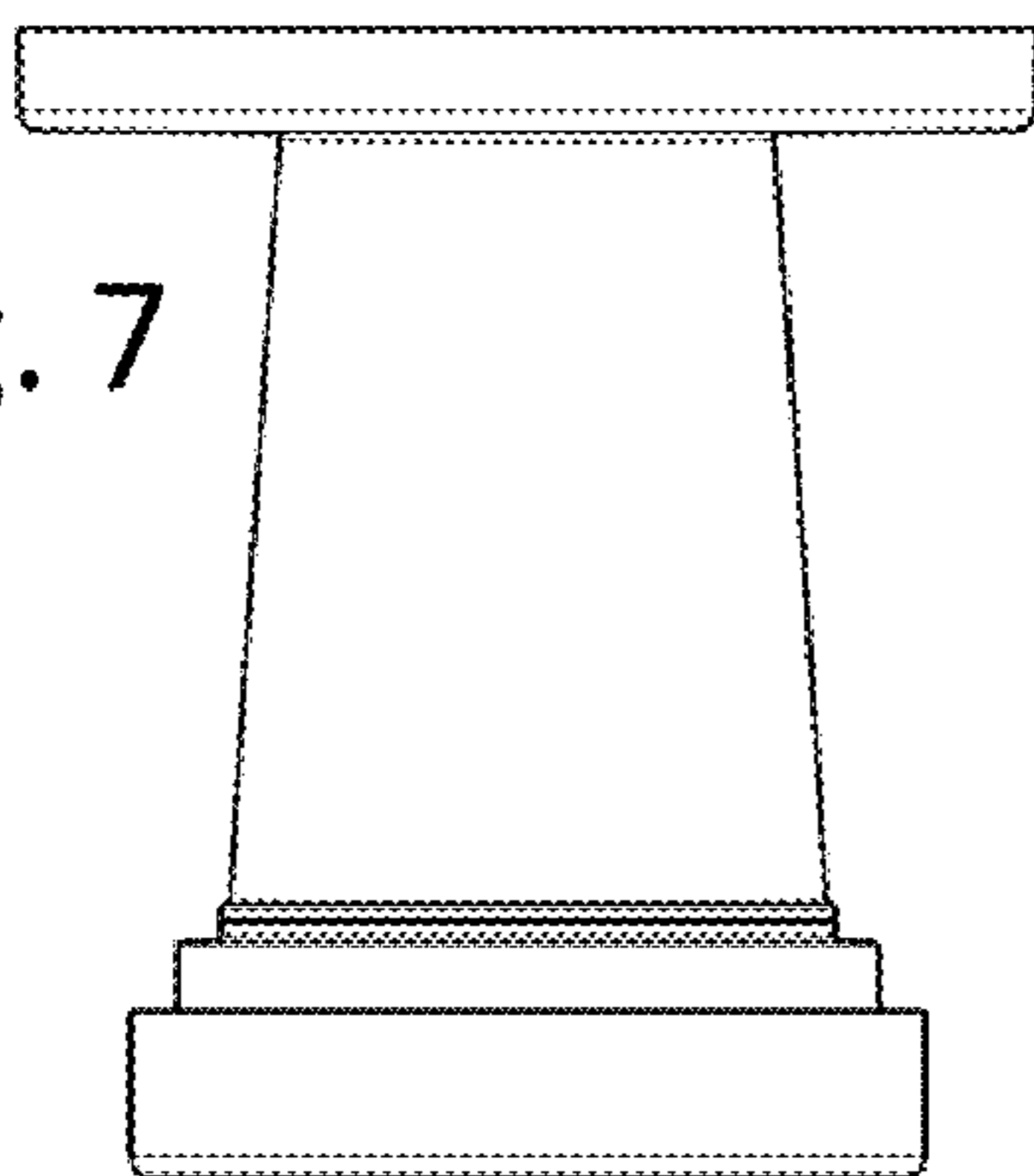


Fig. 8

