



US00D599446S

(12) **United States Design Patent**
Price et al.

(10) **Patent No.:** **US D599,446 S**
(45) **Date of Patent:** **** Sep. 1, 2009**

(54) **SWIVEL WYE MALE SEWER FITTING**

(75) Inventors: **Clay D. Price**, Stokesdale, NC (US);
Jeffrey R. Russell, Winston Salem, NC (US)

(73) Assignee: **Camco Manufacturing Inc.**, Greensboro, NC (US)

(**) Term: **14 Years**

(21) Appl. No.: **29/313,754**

(22) Filed: **Feb. 5, 2009**

(51) **LOC (9) Cl.** **23-01**

(52) **U.S. Cl.** **D23/262**

(58) **Field of Classification Search** D23/259-269;
285/11-12, 7, 177, 394-395, 307, 358, 179-183,
285/423, 356, 303, 337, 1, 53, 404, 112,
285/367, 373, 915; 4/321, 323; 292/58-59
See application file for complete search history.

(56) **References Cited**

U.S. PATENT DOCUMENTS

947,461 A	1/1910	Skiff	
1,276,394 A *	8/1918	Monrath	285/55
4,474,392 A	10/1984	Vassallo et al.	
4,583,772 A	4/1986	Vassallo et al.	
4,706,701 A *	11/1987	Cresswell	137/247.41
4,722,556 A *	2/1988	Todd	285/12
4,919,462 A *	4/1990	Matsui et al.	285/149.1
5,240,292 A *	8/1993	Roszin	285/53

D462,751 S *	9/2002	Streetman	D23/262
6,676,173 B2 *	1/2004	Donnelly	285/373
2003/0098586 A1 *	5/2003	Donnelly	285/373

OTHER PUBLICATIONS

Ref. No. 1, 3" Sewer Hose Wye (P/N F02-2027), Recreational Vehicle Accessories website (www.rvadenver.com), Jan. 27, 2009.
Ref. No. 2, Valterra Bayonet Wye "Y" (P/N F02-2030), Recreational Vehicle Accessories website (www.rvadenver.com), Jan. 27, 2009.
Ref. No. 3, Camco 3" Sewer Hose Wye (P/N 39272). Camco Website (www.camco.net), Jan. 30, 2009.

* cited by examiner

Primary Examiner—T. Chase Nelson
Assistant Examiner—Eric L Goodman

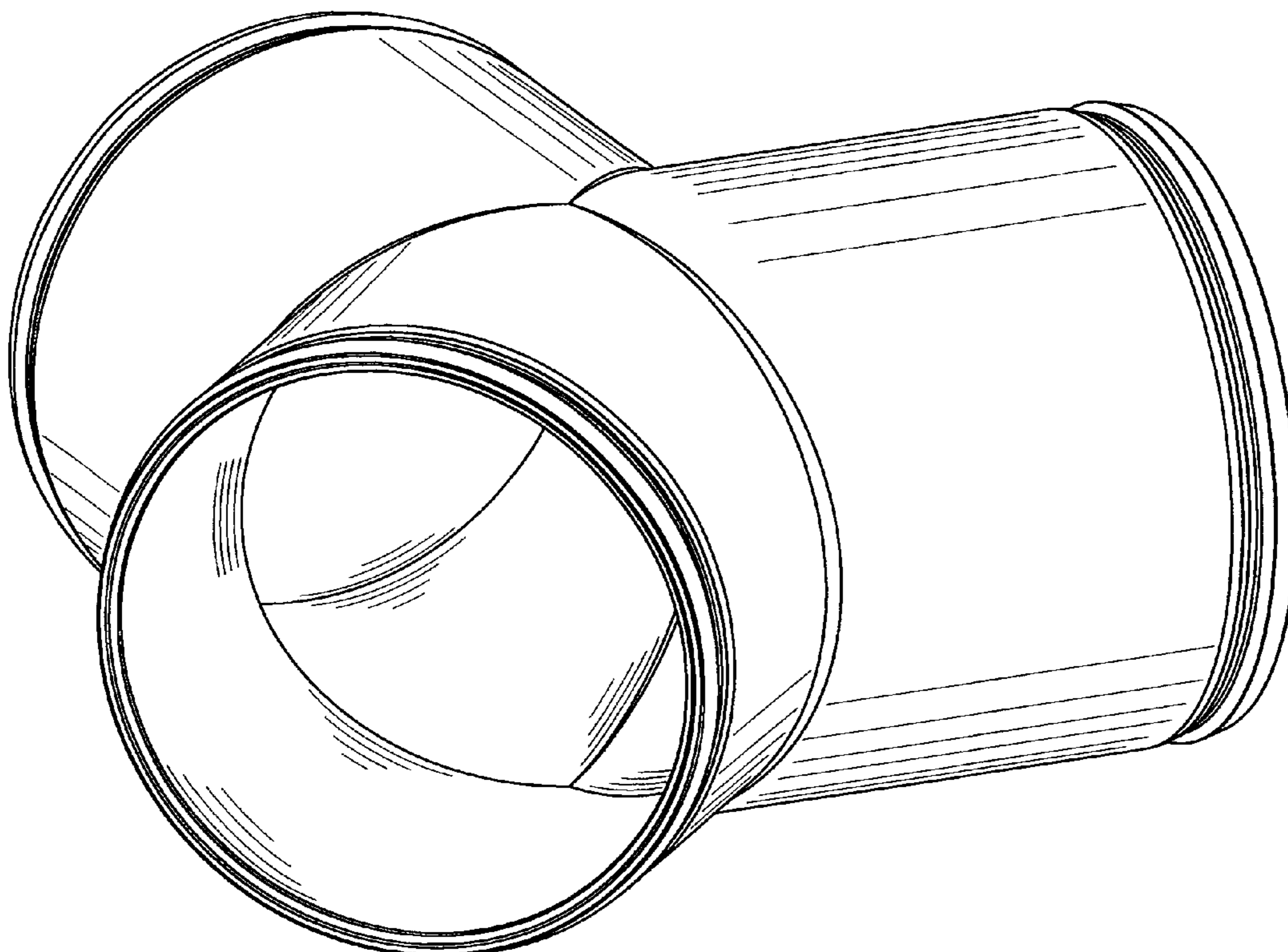
(57) **CLAIM**

The ornamental design for a swivel wye male sewer fitting, as shown and described.

DESCRIPTION

FIG. 1 is a top, front right perspective view of a swivel wye male sewer fitting embodying our design;
FIG. 2 is a rear side elevational view thereof;
FIG. 3 is a front side elevational view thereof;
FIG. 4 is a left side elevational view thereof;
FIG. 5 is a right side elevational view thereof;
FIG. 6 is a bottom plan view thereof; and,
FIG. 7 is a top plan view thereof.

1 Claim, 5 Drawing Sheets



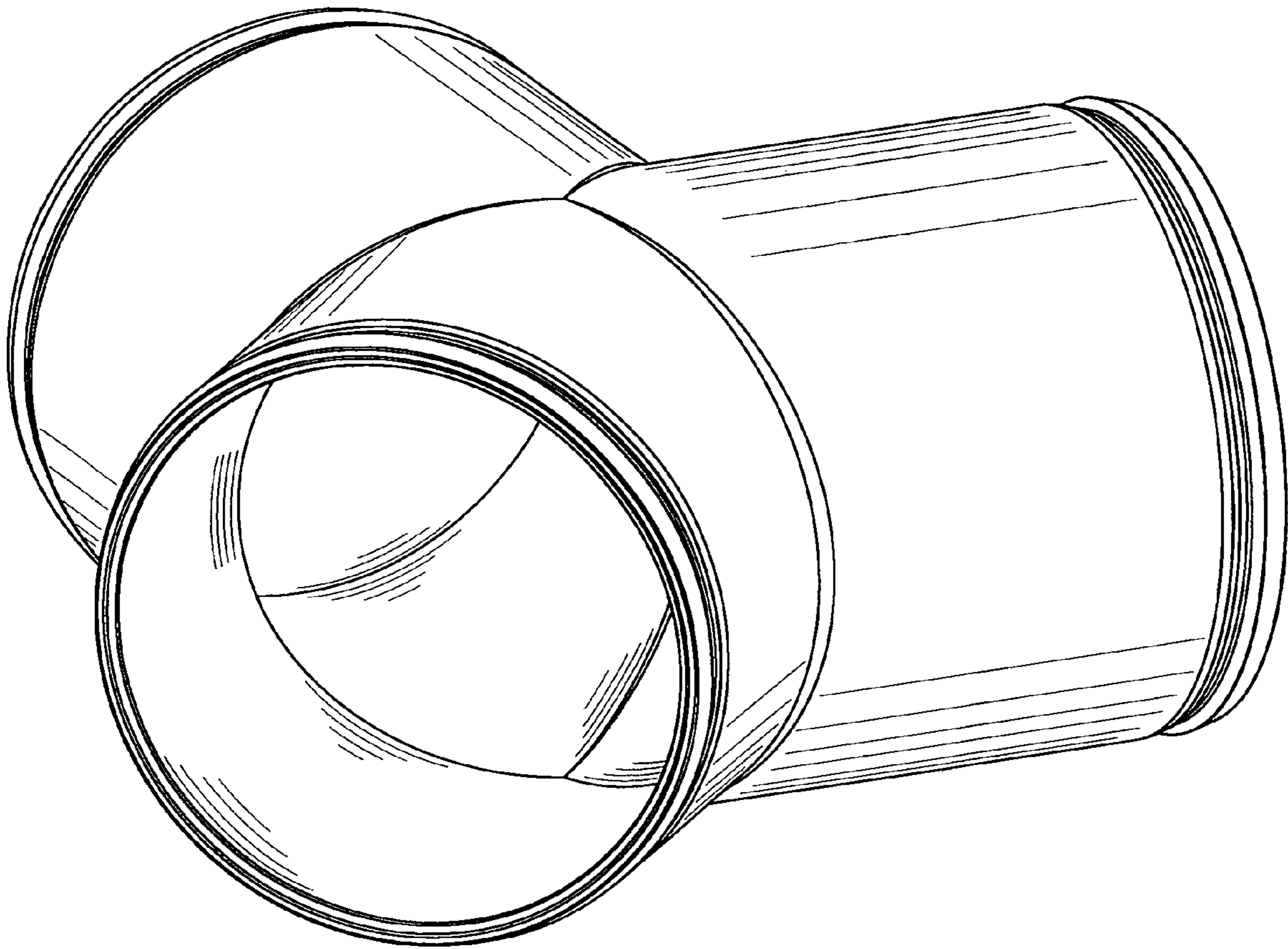


FIG. 1

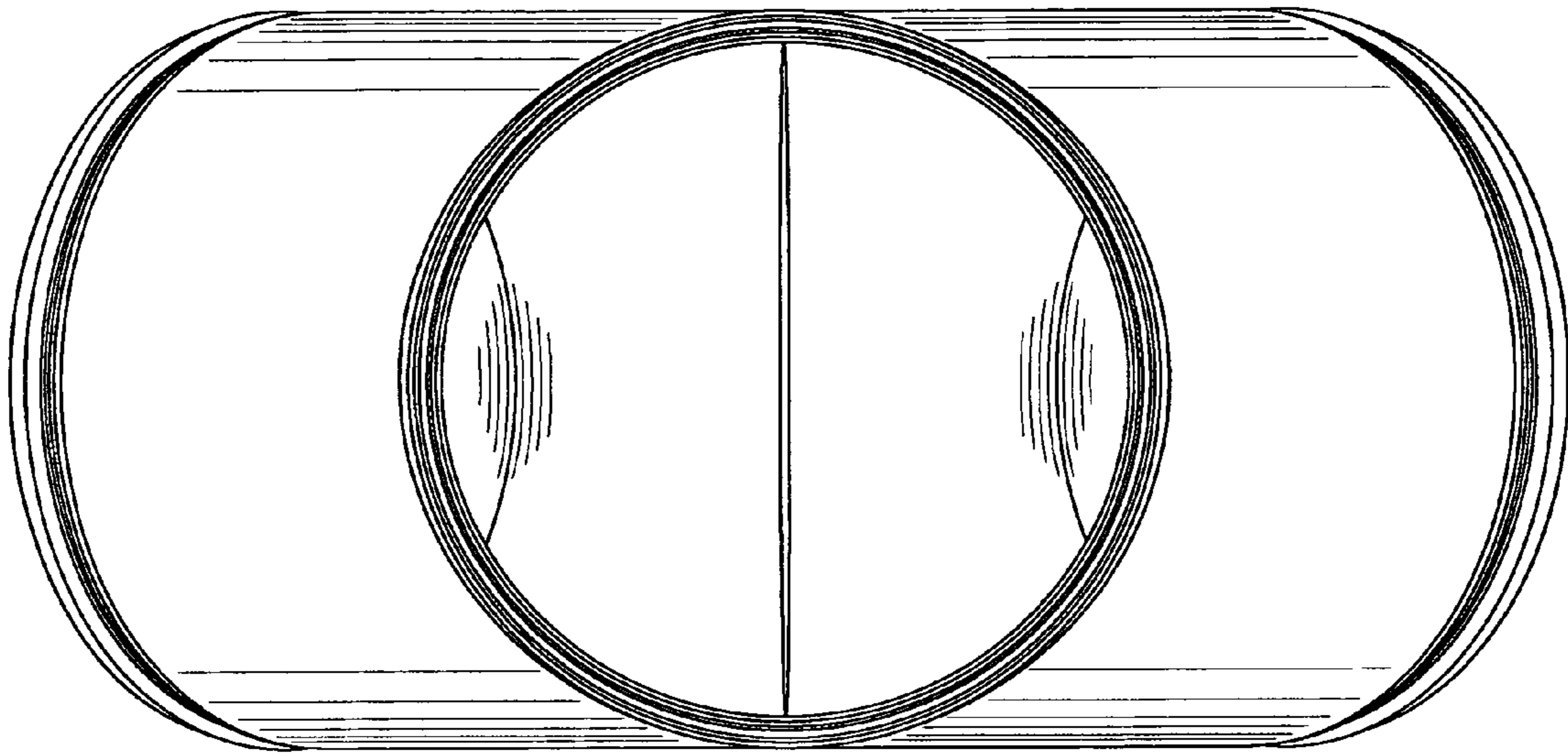


FIG. 2

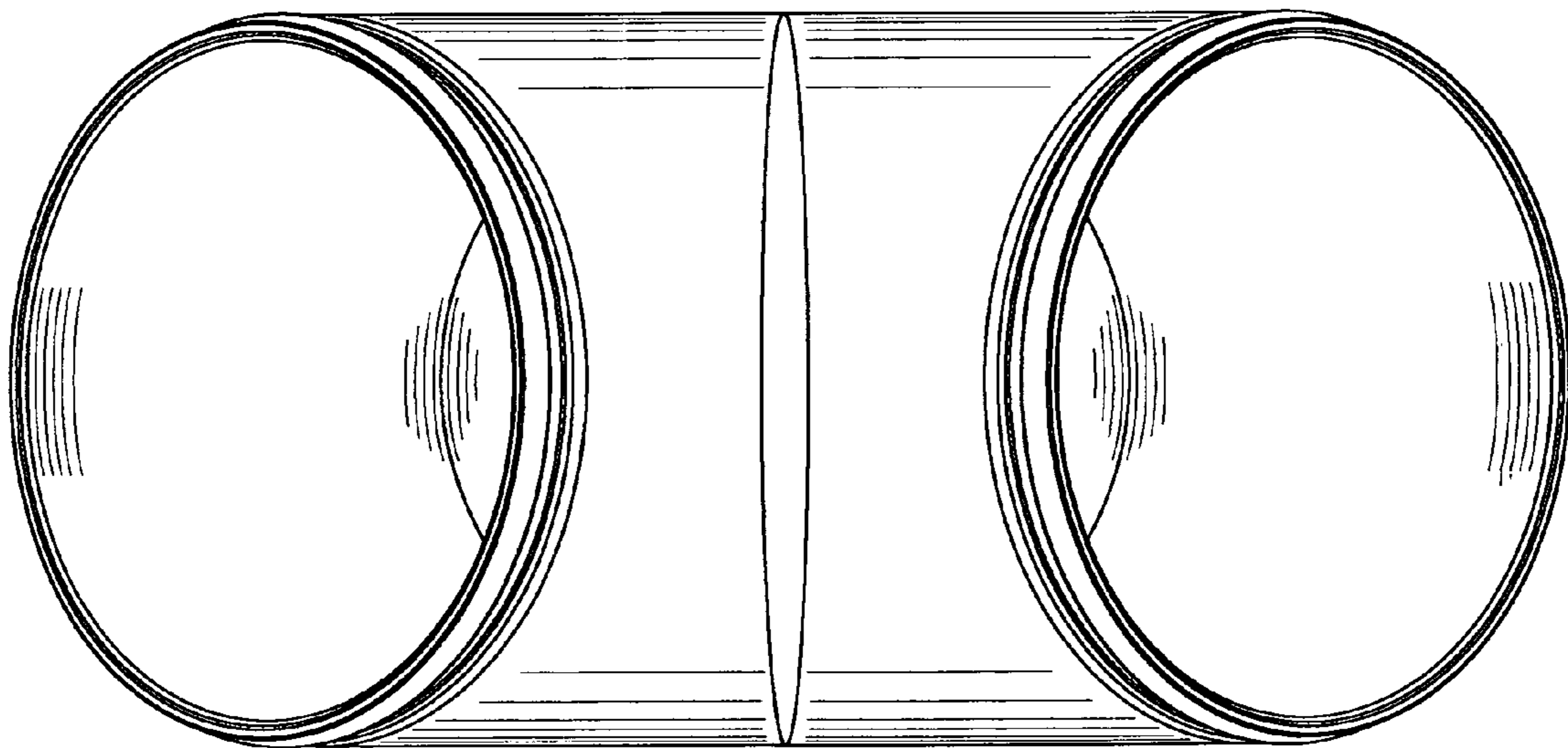


FIG. 3

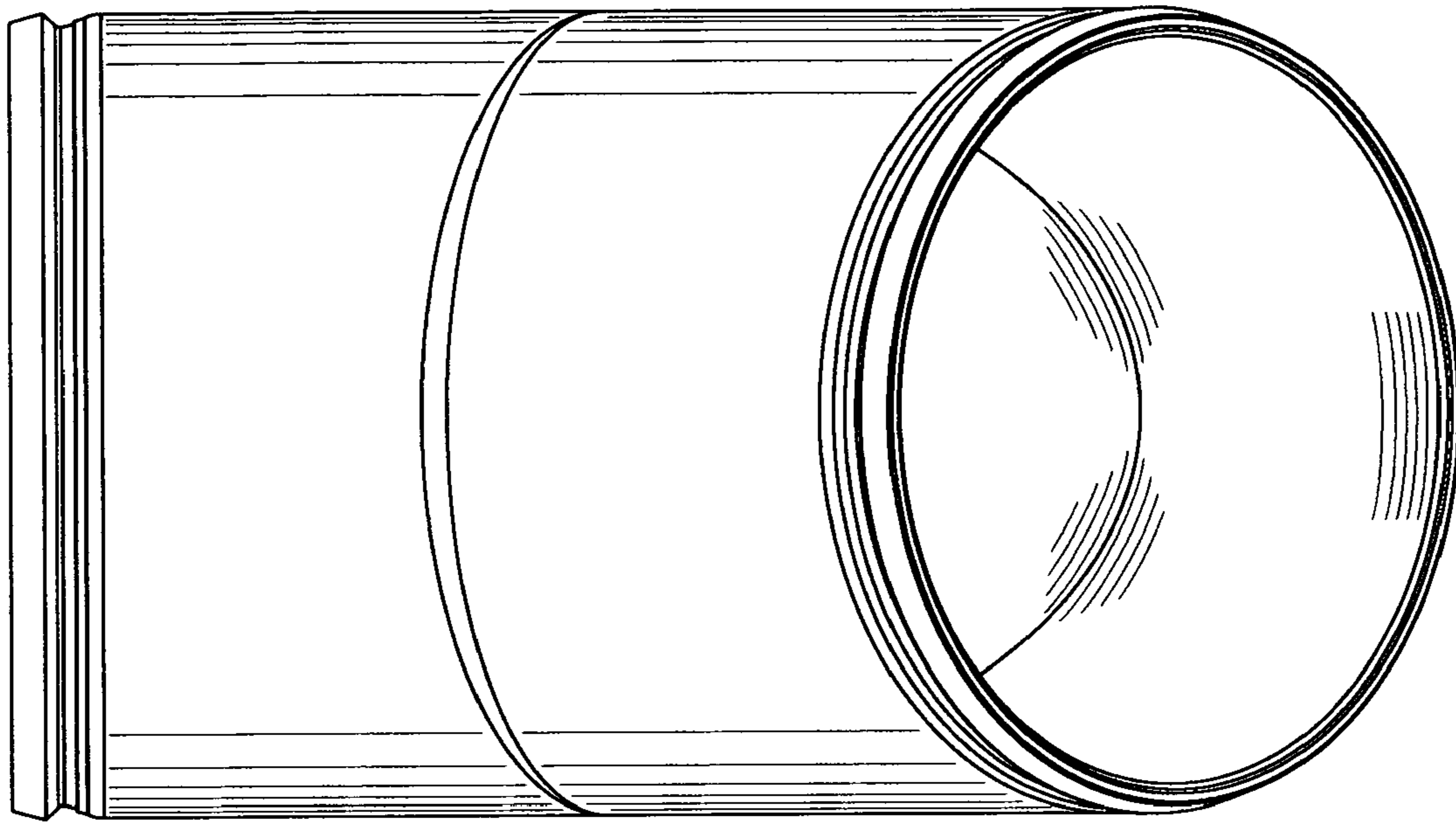


FIG. 4

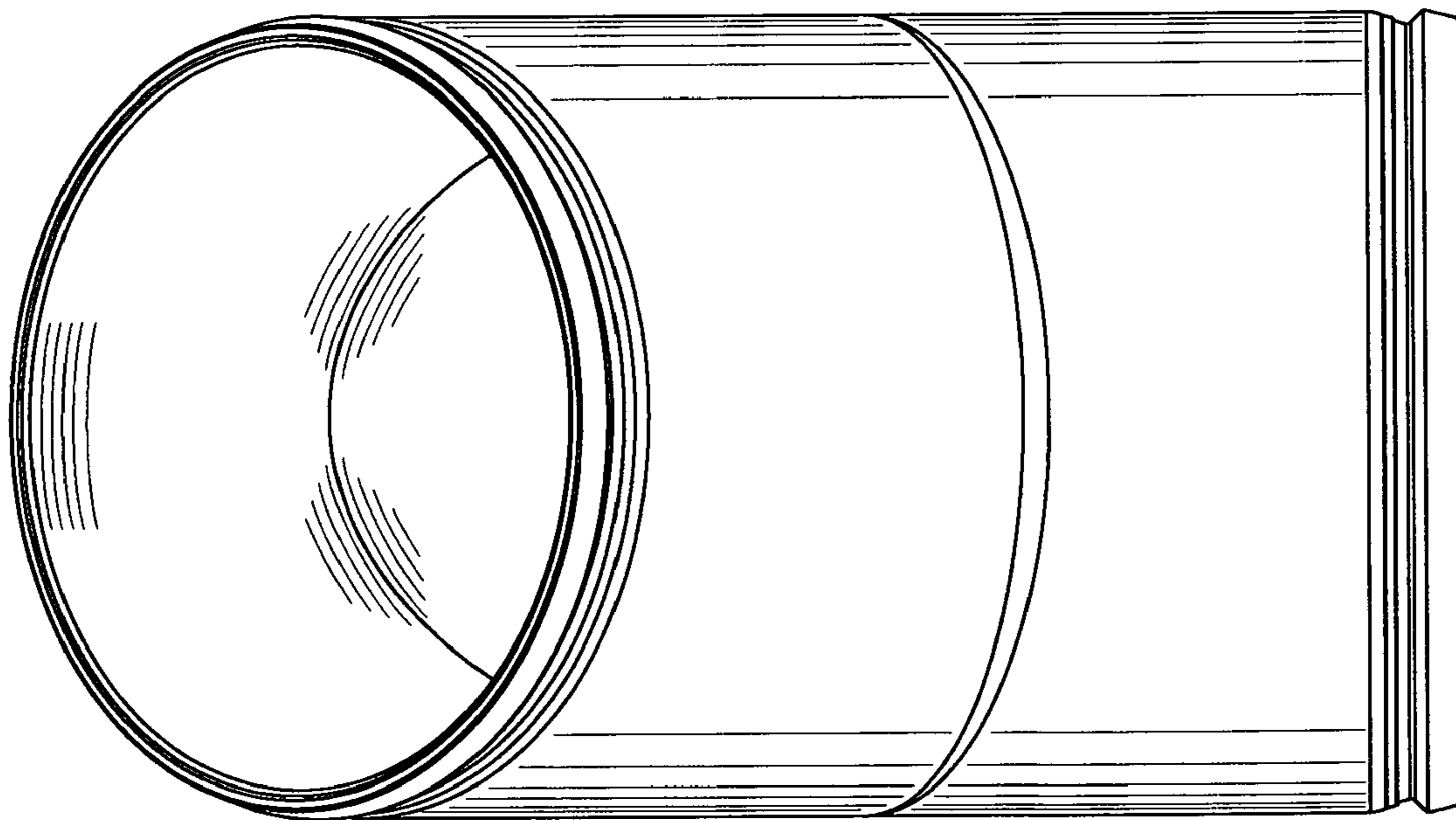


FIG. 5

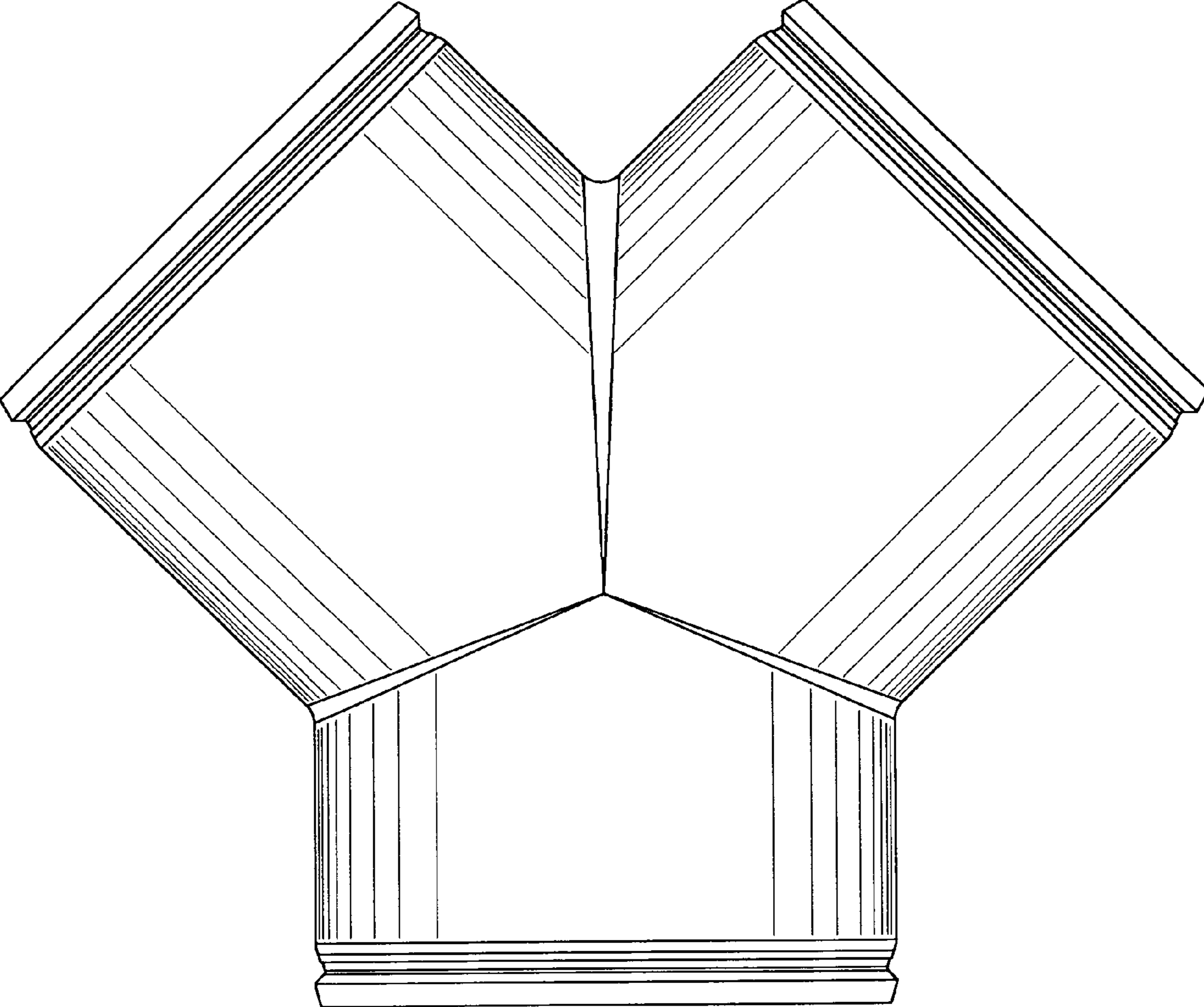


FIG. 6

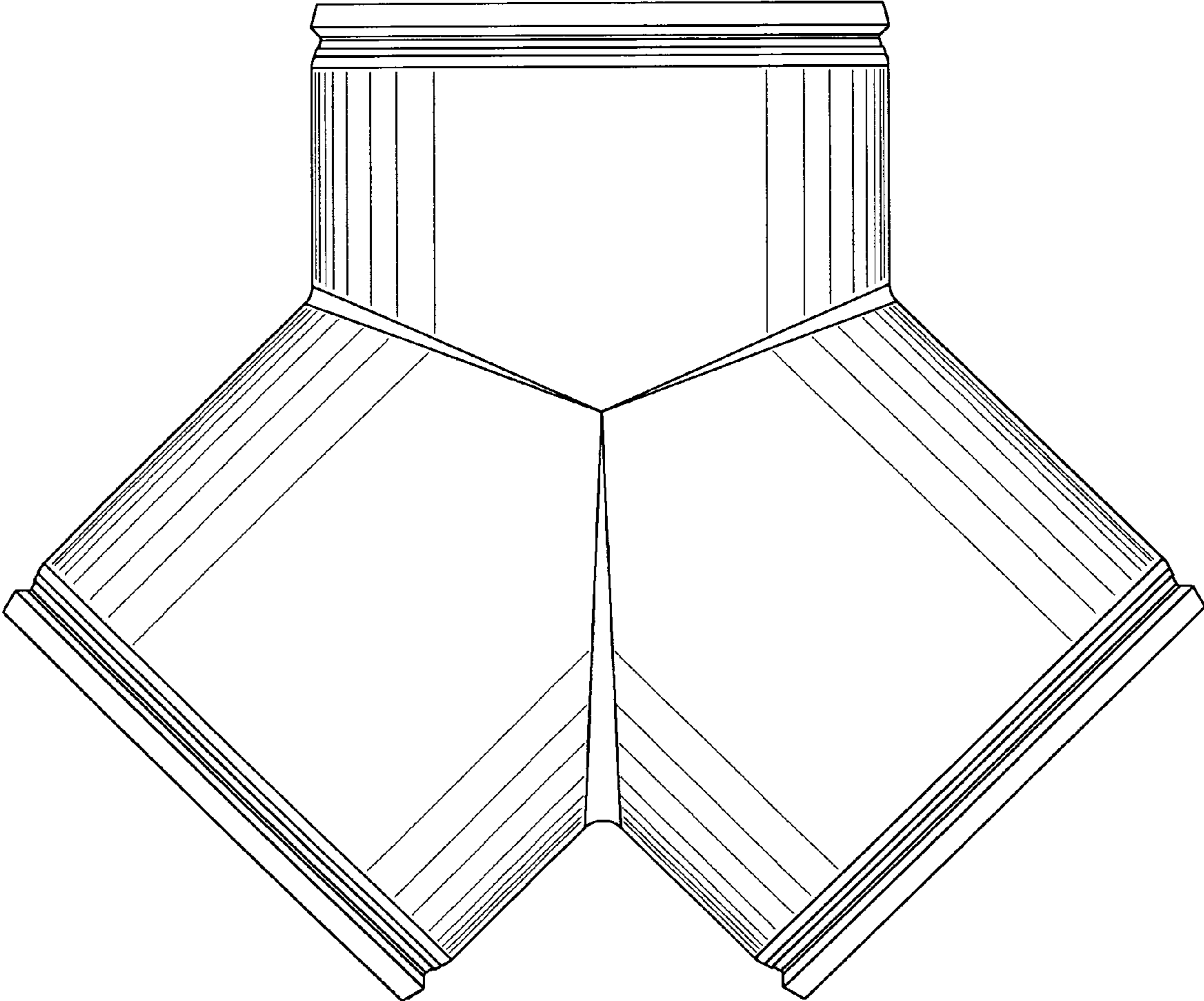


FIG. 7