



US00D599445S

(12) **United States Design Patent**
Price et al.

(10) **Patent No.:** **US D599,445 S**
(45) **Date of Patent:** **** Sep. 1, 2009**

(54) **SWIVEL LUG FEMALE SEWER FITTING**

(75) Inventors: **Clay D. Price**, Stokesdale, NC (US);
Jeffrey R. Russell, Winston Salem, NC (US)

(73) Assignee: **Camco Manufacturing Inc.**, Greensboro, NC (US)

(**) Term: **14 Years**

(21) Appl. No.: **29/313,753**

(22) Filed: **Feb. 5, 2009**

(51) **LOC (9) Cl.** **23-01**

(52) **U.S. Cl.** **D23/262**

(58) **Field of Classification Search** D23/259–269;
285/11–12, 7, 177, 394–395, 307, 358, 179–183,
285/423, 356, 303, 337, 1, 53, 404, 112,
285/367, 373, 915; 4/321, 323; 292/58–59
See application file for complete search history.

(56) **References Cited**

U.S. PATENT DOCUMENTS

455,180	A *	6/1891	Doman	285/106
3,064,983	A *	11/1962	Halterman	277/604
4,643,229	A *	2/1987	Hickin	138/109
D292,308	S *	10/1987	Beltran	D23/269
4,706,701	A *	11/1987	Cresswell	137/247.41
D314,422	S *	2/1991	Adorjan	D23/262
D329,013	S *	9/1992	Stoner, Jr.	D8/395
D336,510	S *	6/1993	Sawtelle	D23/262
D362,902	S *	10/1995	Reiber	D23/269
D383,053	S *	9/1997	Schrader et al.	D8/382
D383,378	S *	9/1997	Schrader et al.	D8/382
5,667,251	A *	9/1997	Prest	285/12
5,915,411	A	6/1999	Gilbert et al.		
5,954,448	A *	9/1999	Shim	403/291
5,971,438	A *	10/1999	Johnson	285/12

6,170,882	B1 *	1/2001	Prest	285/12
6,170,891	B1 *	1/2001	Mercado et al.	285/419
6,735,790	B1 *	5/2004	Willson et al.	4/218
D564,637	S *	3/2008	Brockington et al.	D23/263
D565,707	S *	4/2008	Brockington et al.	D23/262
D586,433	S *	2/2009	Price et al.	D23/259
2005/0218654	A1 *	10/2005	Diez	285/397

OTHER PUBLICATIONS

Ref. No. 1, Valterra EZ Coupler Bayonet Fitting (P/N F02-3108), Valterra website (www.Valterra.com), Jan. 26, 2009.

Ref. No. 2, A Component from Camco Manufacturing Inc. RV Twist Connect Kit(P/N 39543), Camco website (www.Camco.net), Jan. 26, 2009.

* cited by examiner

Primary Examiner—T. Chase Nelson
Assistant Examiner—Eric L Goodman

(57) **CLAIM**

The ornamental design for a swivel lug female sewer fitting, as shown and described.

DESCRIPTION

FIG. 1 is a top, left rear perspective view of a swivel lug female sewer fitting embodying our design;

FIG. 2 is a top, left front perspective view of the same invention in FIG. 1;

FIG. 3 is a rear side elevational view thereof;

FIG. 4 is a front side elevational view thereof;

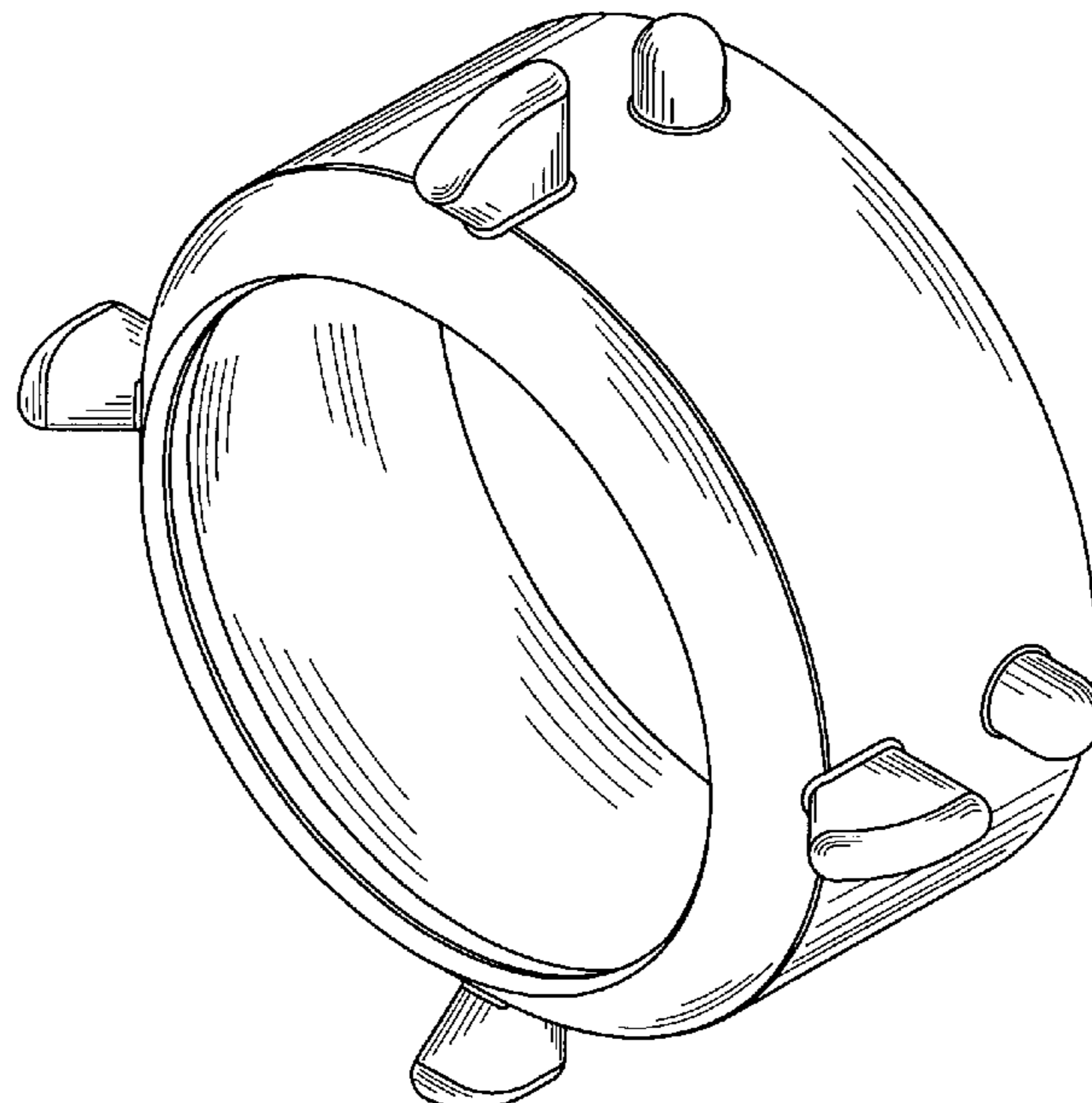
FIG. 5 is a left side elevational view thereof;

FIG. 6 is a right side elevational view thereof;

FIG. 7 is a bottom plan view thereof; and,

FIG. 8 is a top plan view thereof.

1 Claim, 4 Drawing Sheets



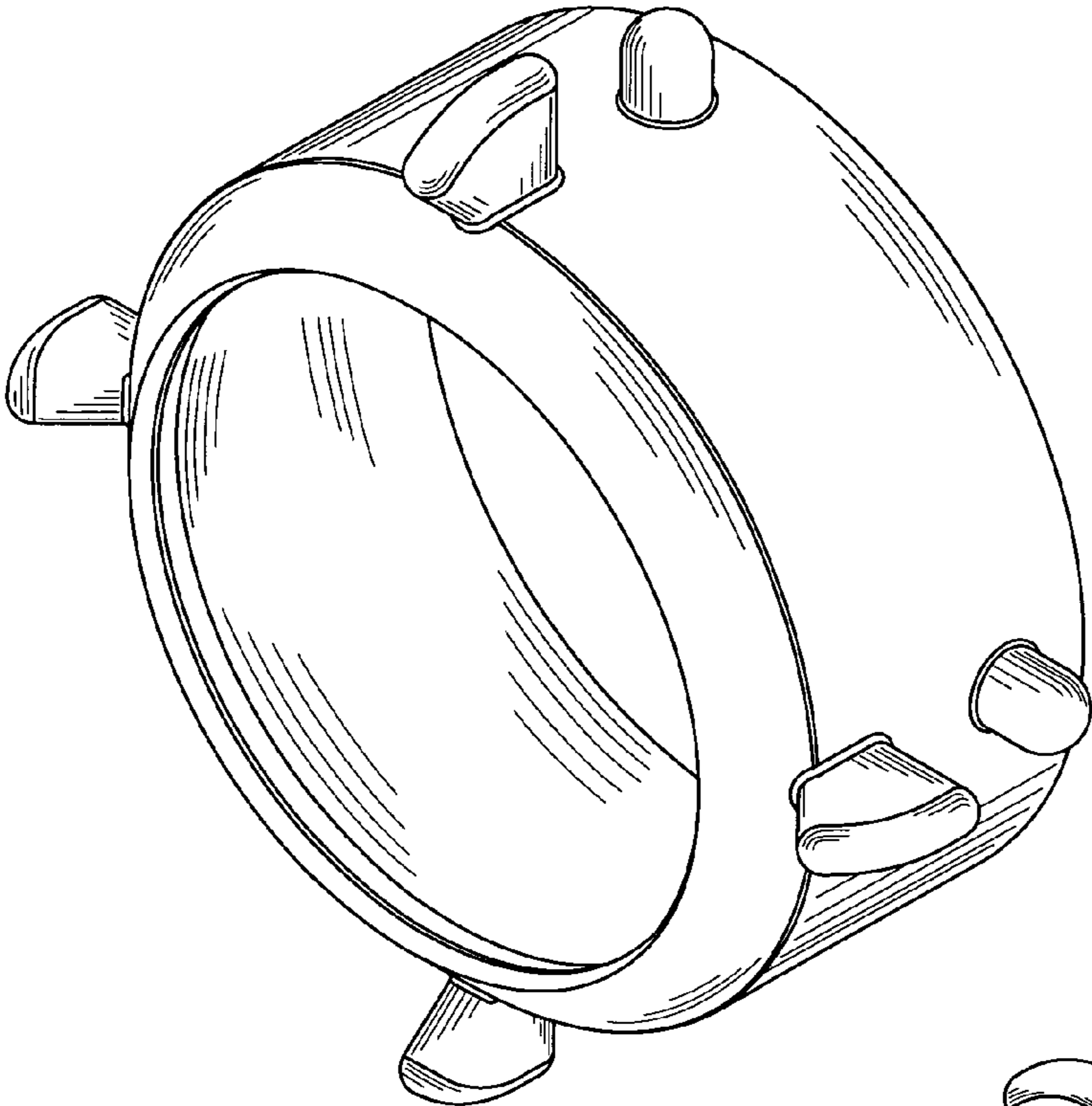


FIG. 1

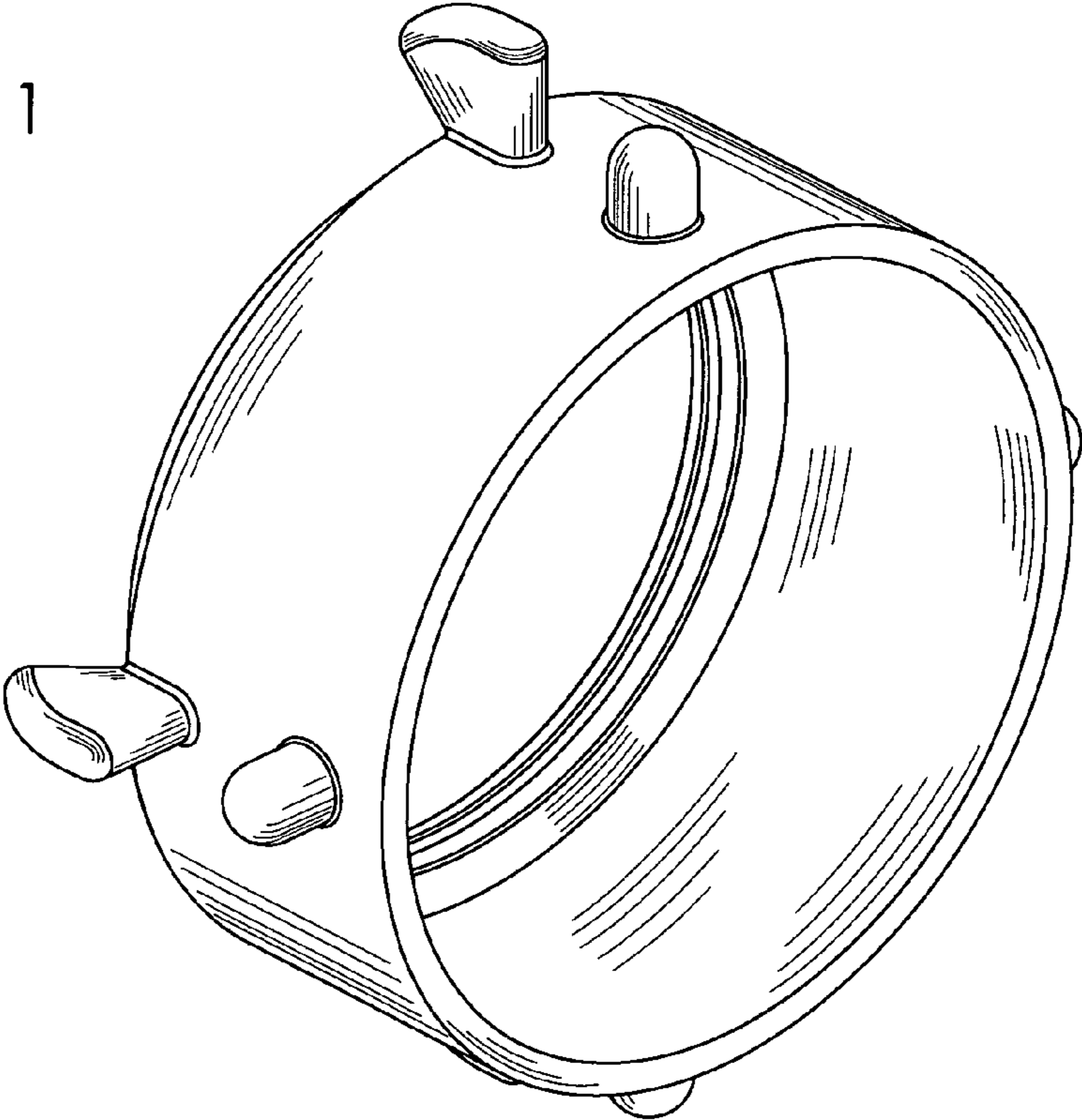


FIG. 2

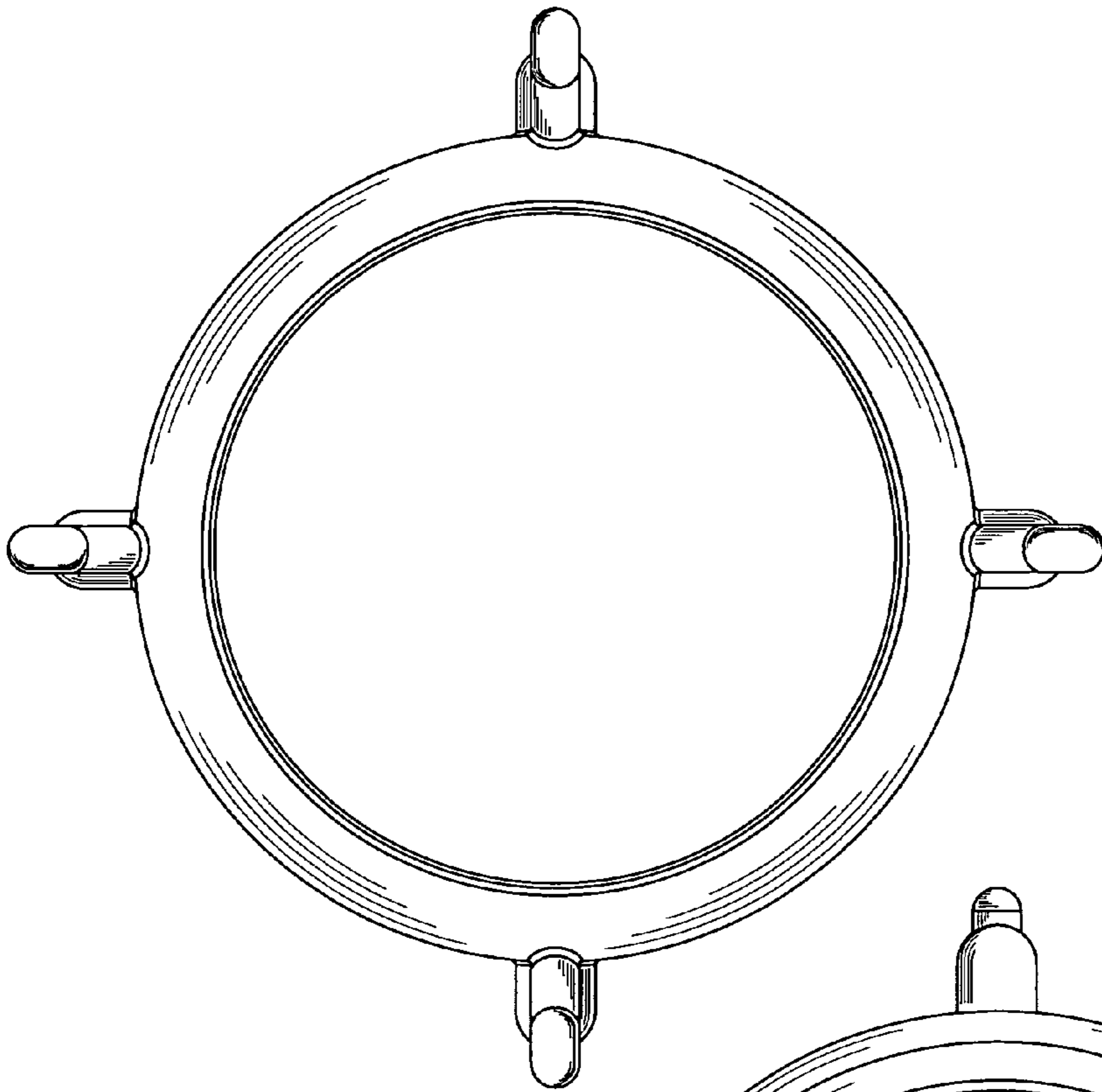


FIG. 3

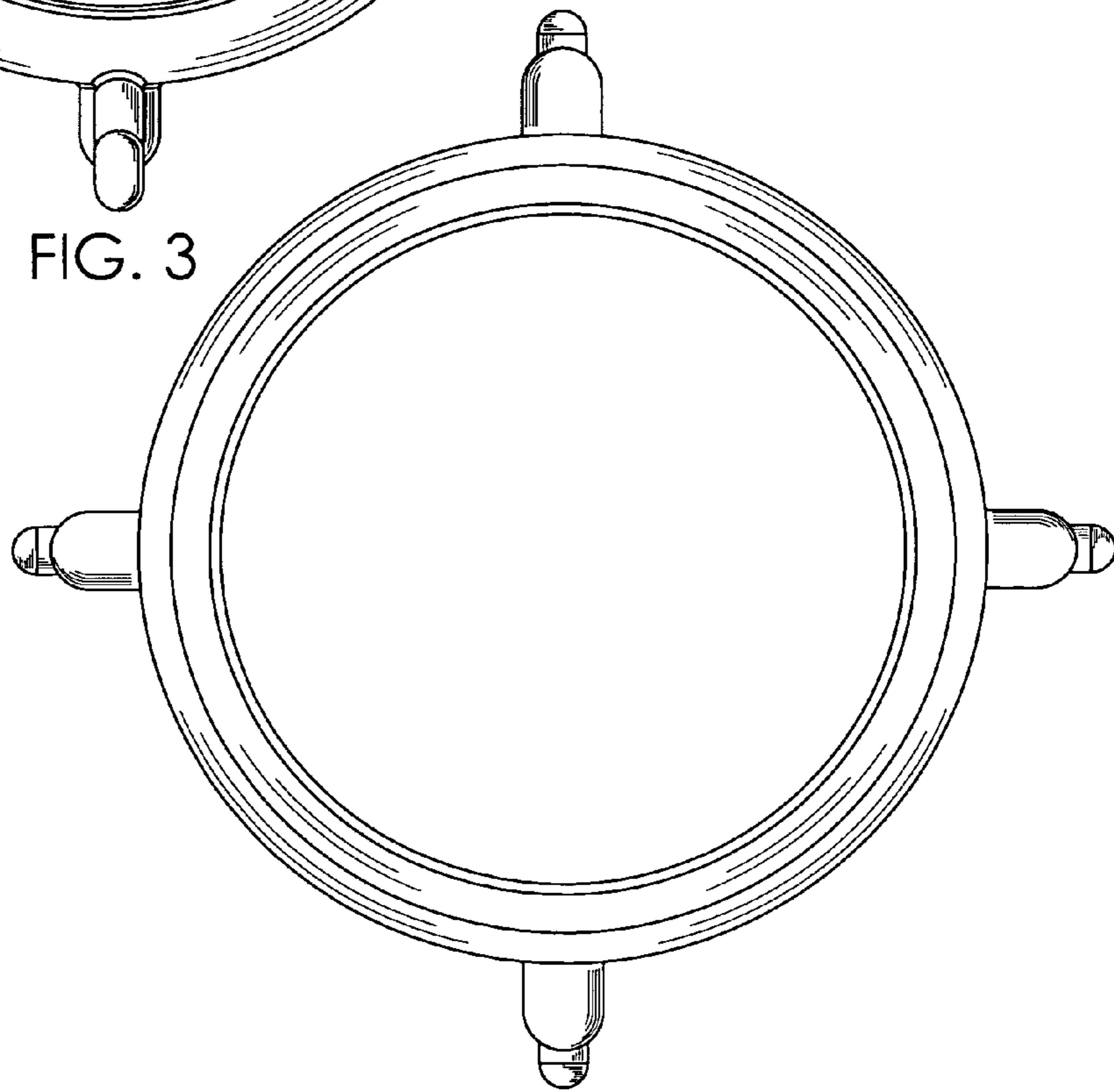


FIG. 4

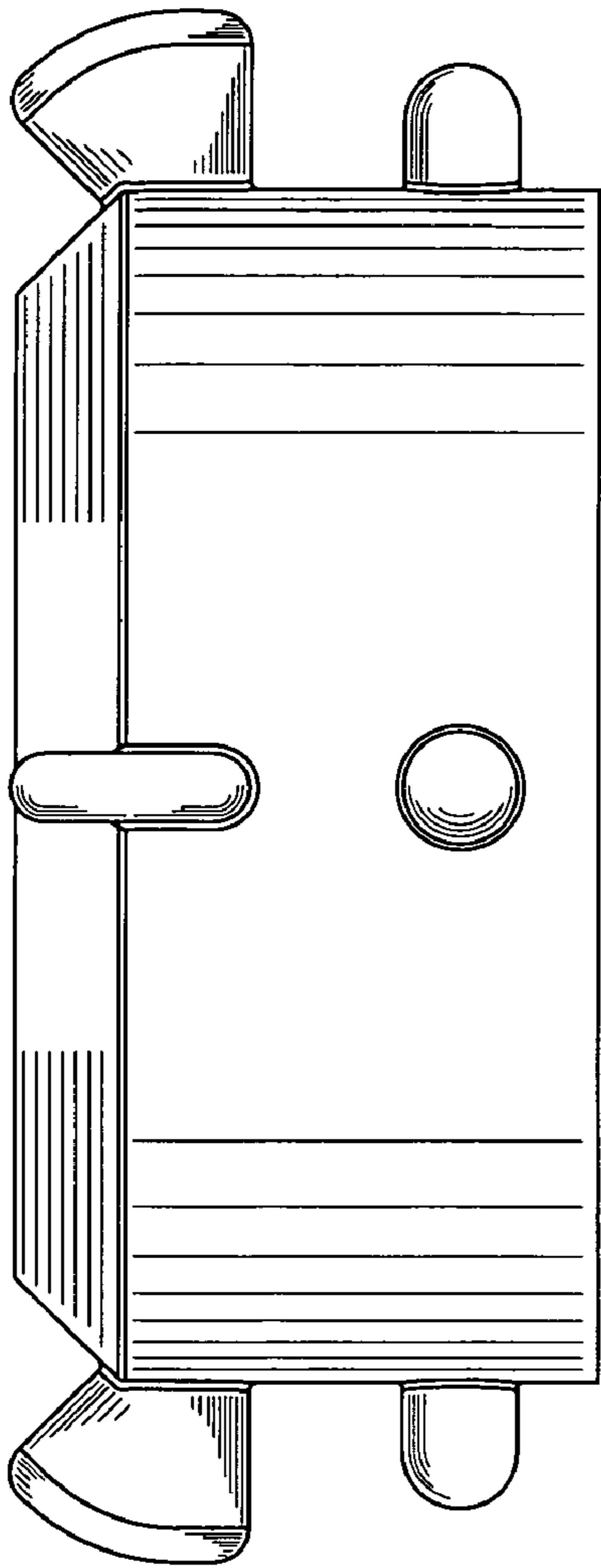


FIG. 5

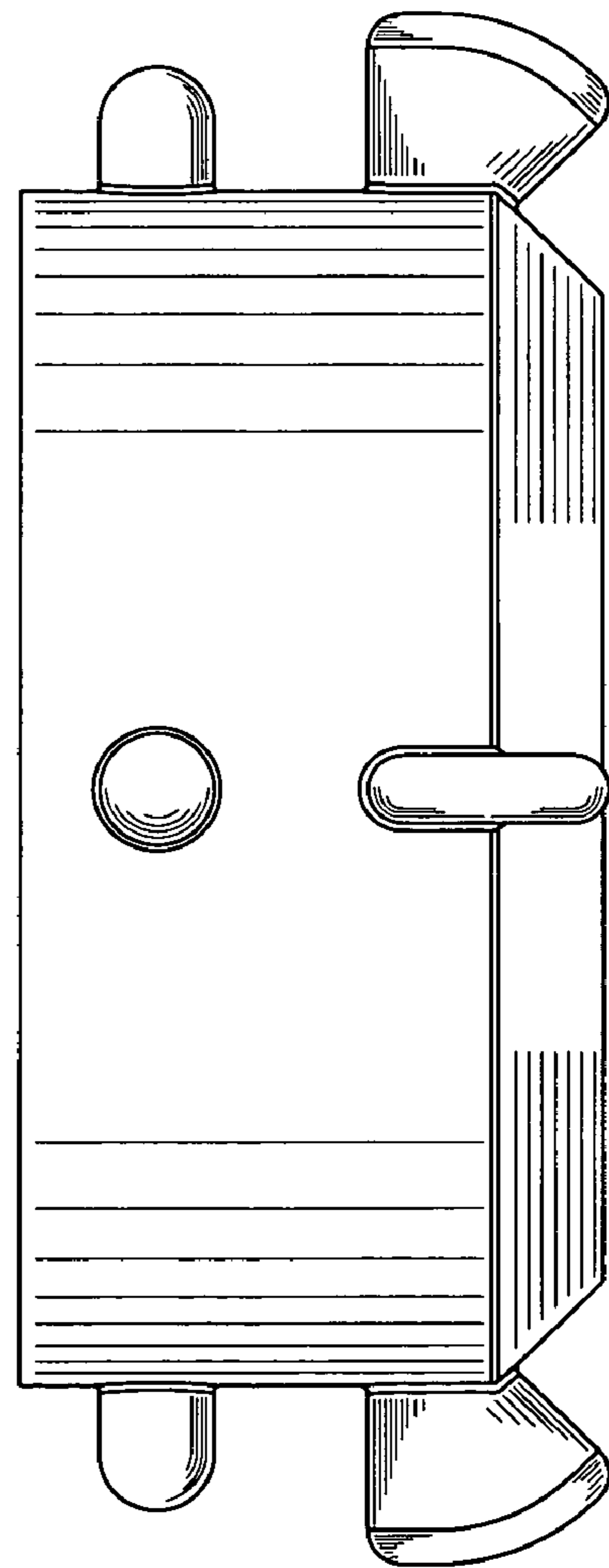


FIG. 6

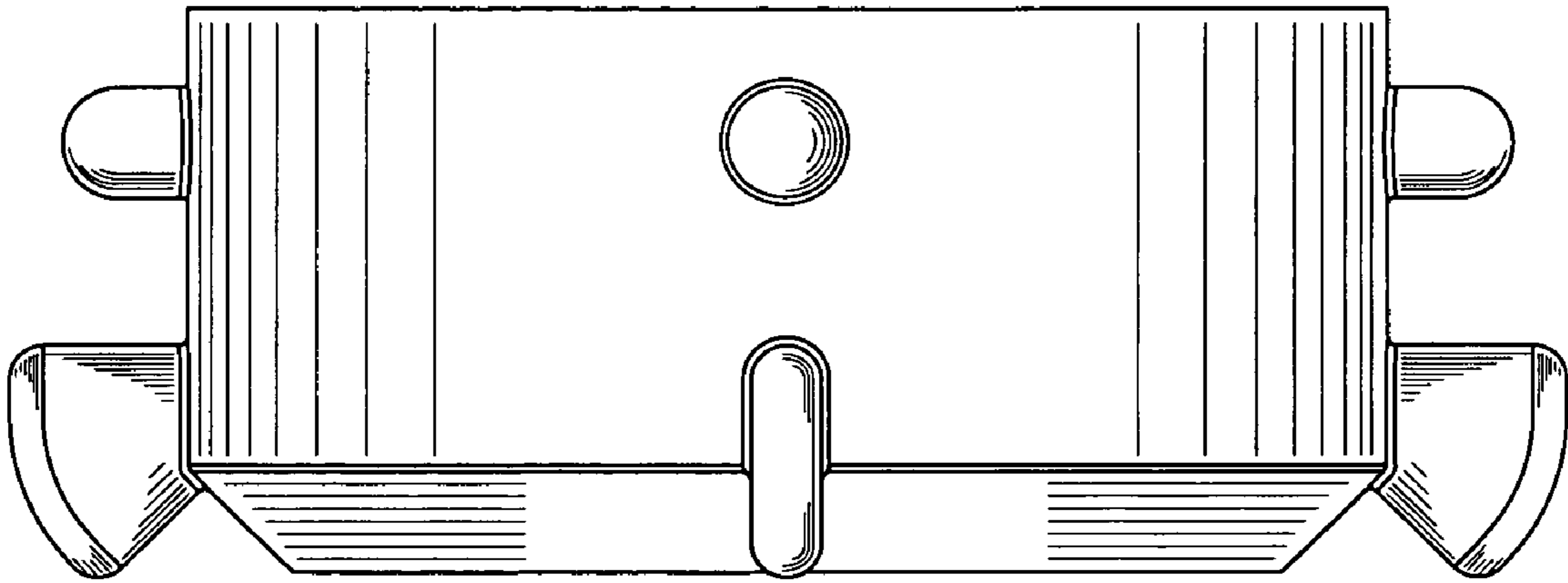


FIG. 7

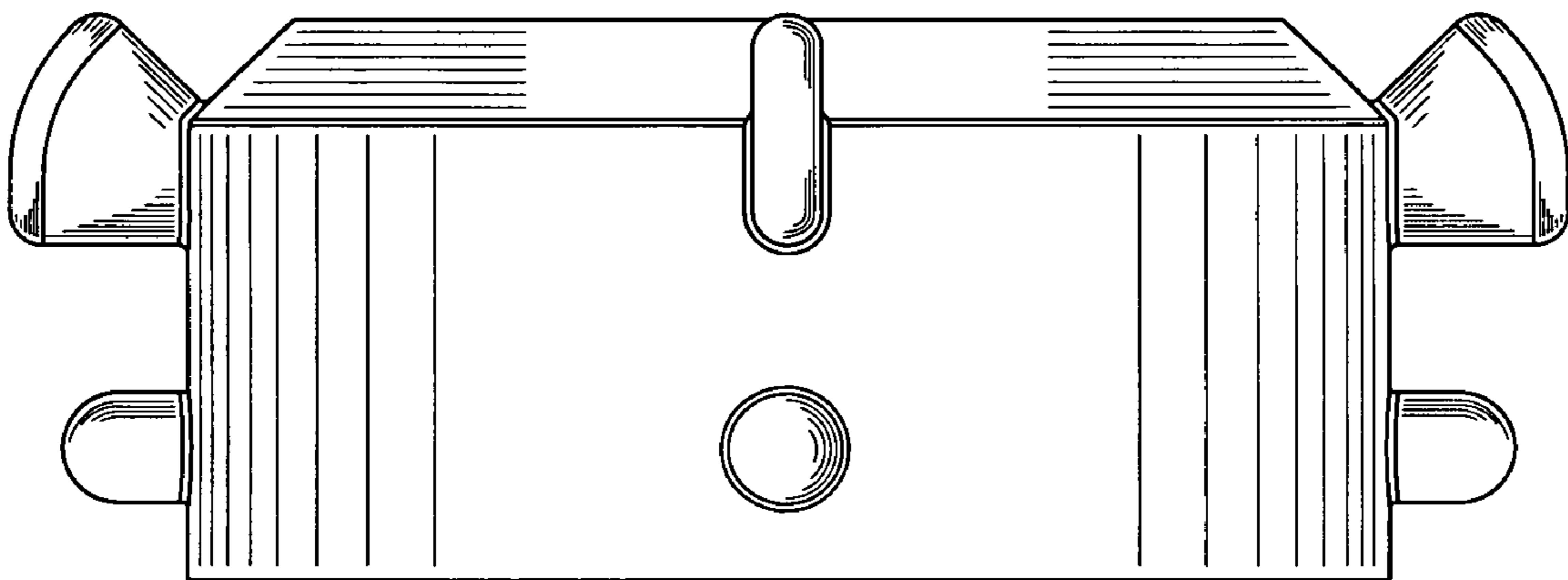


FIG. 8