



US00D599443S

(12) **United States Design Patent**
Lammel et al.

(10) **Patent No.:** **US D599,443 S**

(45) **Date of Patent:** **** Sep. 1, 2009**

(54) **MIXING TAP**

D580,525 S * 11/2008 Citterio D23/254
D581,490 S * 11/2008 Painter D23/254

(75) Inventors: **Michael Lammel**, Aachen (DE);
Michael Zeisel, Aachen (DE)

* cited by examiner

(73) Assignee: **Hansa Metallwerke AG**, Stuttgart (DE)

Primary Examiner—T. Chase Nelson

Assistant Examiner—Mark Cavanna

(**) Term: **14 Years**

(74) *Attorney, Agent, or Firm*—Factor & Lake, Ltd.

(21) Appl. No.: **29/325,913**

(57) **CLAIM**

(22) Filed: **Oct. 8, 2008**

The ornamental design for mixing tap, as shown and described.

(30) **Foreign Application Priority Data**

DESCRIPTION

Apr. 8, 2008 (EM) 000911813-0003

This application claims priority of European Market Design Application No. 000911813, filed Apr. 8, 2008. The full disclosure of this application is incorporated herein by reference.

(51) **LOC (9) Cl.** **23-01**

(52) **U.S. Cl.** **D23/254**

(58) **Field of Classification Search** D23/200,
D23/238–257; D6/512, 546, 550; D8/300,
D8/307–308, 310–312, 321; 4/675–678;
137/801; 16/110.1, 441

This application is related to U.S. Patent application Ser. Nos. 29/325,909, entitled Mixing Tap; 29/325,911, entitled Mixing Tap; 29/325,914, entitled Mixing Tap and 29/325,915, entitled Mixing Tap all of which were simultaneously filed on Oct. 8, 2008.

See application file for complete search history.

FIG. 1 is a perspective view of the mixing tap showing a new ornamental design thereof;

(56) **References Cited**

FIG. 2 is a front elevation view of the mixing tap shown in FIG. 1;

U.S. PATENT DOCUMENTS

D363,765 S * 10/1995 Starck D23/254
D373,180 S * 8/1996 Gottwald D23/254
D400,651 S * 11/1998 Hundley et al. D23/254
D409,290 S * 5/1999 Gottwald D23/254
D417,260 S * 11/1999 Mullenmeister D23/254
D441,845 S * 5/2001 Fleischmann D23/254
D441,846 S * 5/2001 Mullenmeister D23/254
D461,878 S * 8/2002 Green et al. D23/254
D473,291 S * 4/2003 Marshall D23/254
D531,704 S * 11/2006 Funck et al. D23/254

FIG. 3 is a left side elevation view of the mixing tap shown in FIG. 1;

FIG. 4 is a top plan view of the mixing tap shown in FIG. 1; and,

FIG. 5 is a bottom plan view of the mixing tap shown in FIG. 1.

1 Claim, 2 Drawing Sheets

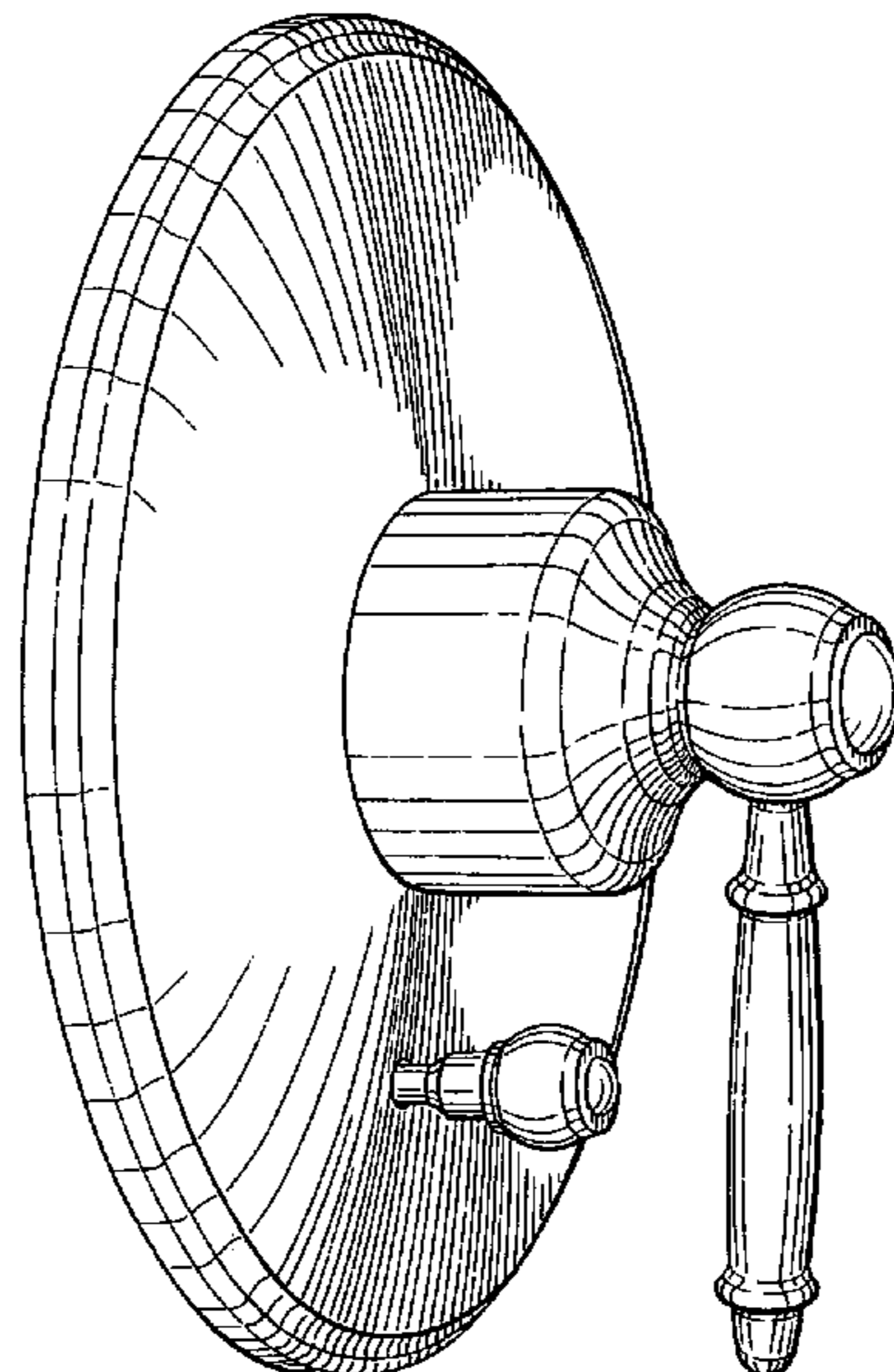


FIG. 2

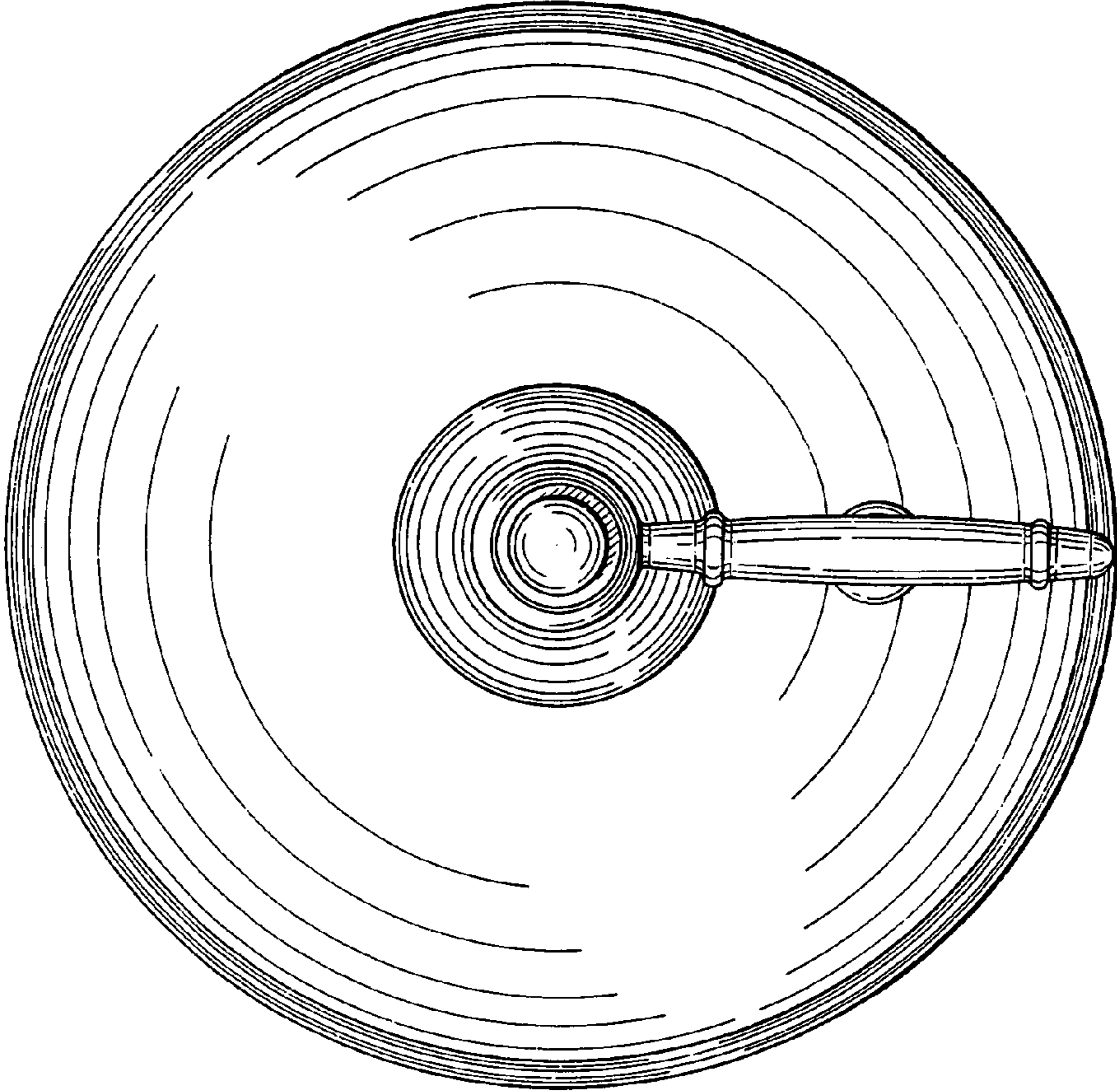


FIG. 1

