



US00D599438S

(12) **United States Design Patent**  
**Okutsu et al.**

(10) **Patent No.:** **US D599,438 S**

(45) **Date of Patent:** **\*\* Sep. 1, 2009**

(54) **EXPANSION VALVE**

(75) Inventors: **Kinya Okutsu**, Tokyo (JP); **Akinori Nanbu**, Tokyo (JP)

(73) Assignee: **Fujikoki Corporation**, Tokyo (JP)

(\*\*) Term: **14 Years**

(21) Appl. No.: **29/331,812**

(22) Filed: **Feb. 2, 2009**

(51) **LOC (9) Cl.** ..... **23-01**

(52) **U.S. Cl.** ..... **D23/233**

(58) **Field of Classification Search** ..... D23/233–237,  
D23/244–249; 137/625.48; 251/14, 64;  
62/222–225, 197, 115, 527, 210; 236/63–64,  
236/66, 92 B; 285/189, 208, 211, 368  
See application file for complete search history.

(56) **References Cited**

**U.S. PATENT DOCUMENTS**

D494,657 S \* 8/2004 Kobayashi et al. .... D23/233  
D502,252 S \* 2/2005 Fukuda et al. .... D23/233  
D529,990 S \* 10/2006 Kobayashi et al. .... D23/233

\* cited by examiner

*Primary Examiner*—Cathron C. Brooks

*Assistant Examiner*—Maurice Stevens

(74) *Attorney, Agent, or Firm*—Westerman, Hattori, Daniels & Adrian, LLP.

(57) **CLAIM**

The ornamental design for an expansion valve, as shown and described.

**DESCRIPTION**

FIG. 1 is a perspective view of an expansion valve showing our new design;

FIG. 2 is a front, elevation view thereof;

FIG. 3 is a top, plan view thereof;

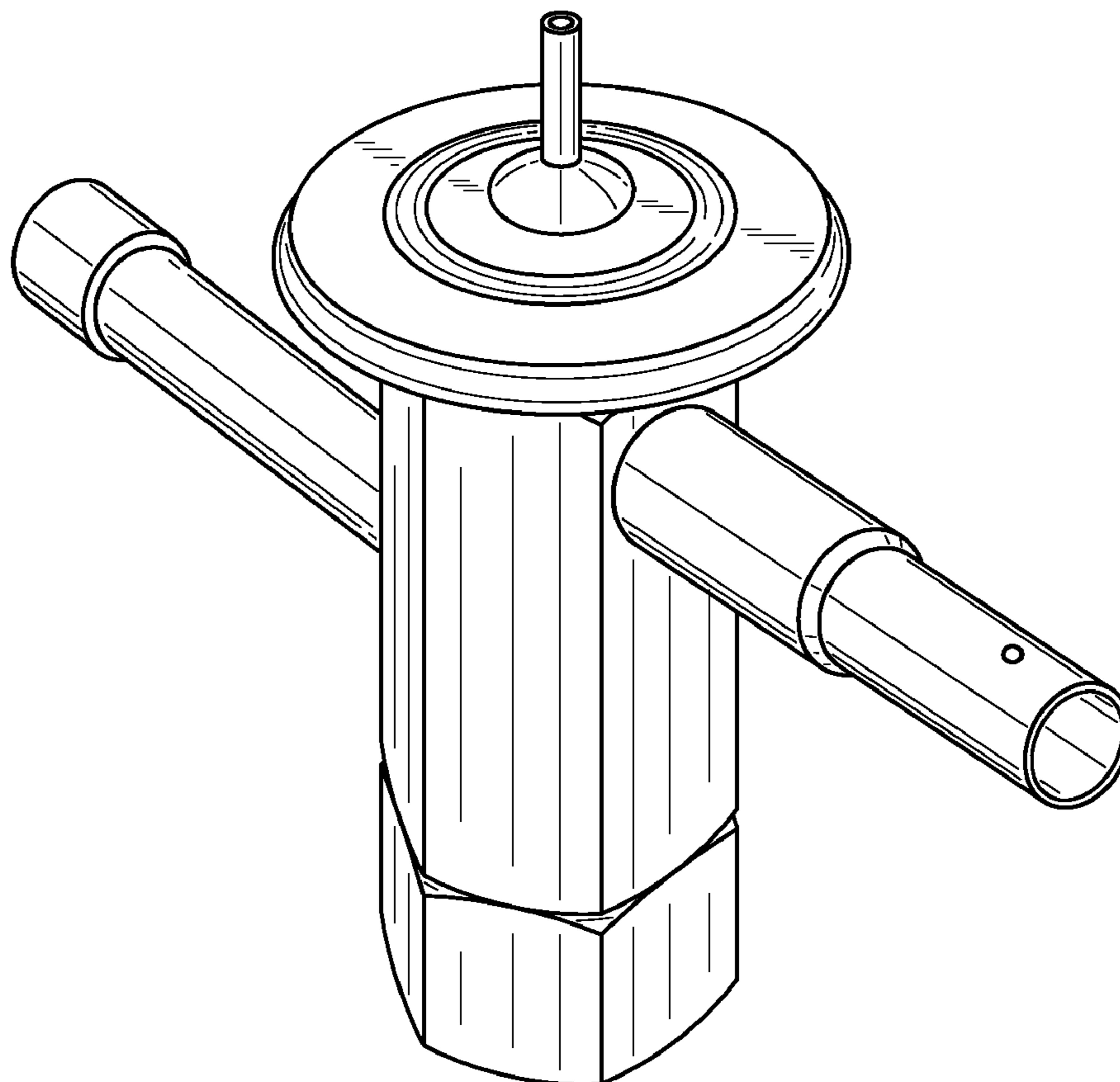
FIG. 4 is a bottom, elevation view thereof;

FIG. 5 is a left-side, elevation view thereof; and,

FIG. 6 is a right-side, elevation view thereof.

The broken line showing unclaimed portions in FIGS. 5 and 6 forms no part of the claimed design

**1 Claim, 4 Drawing Sheets**



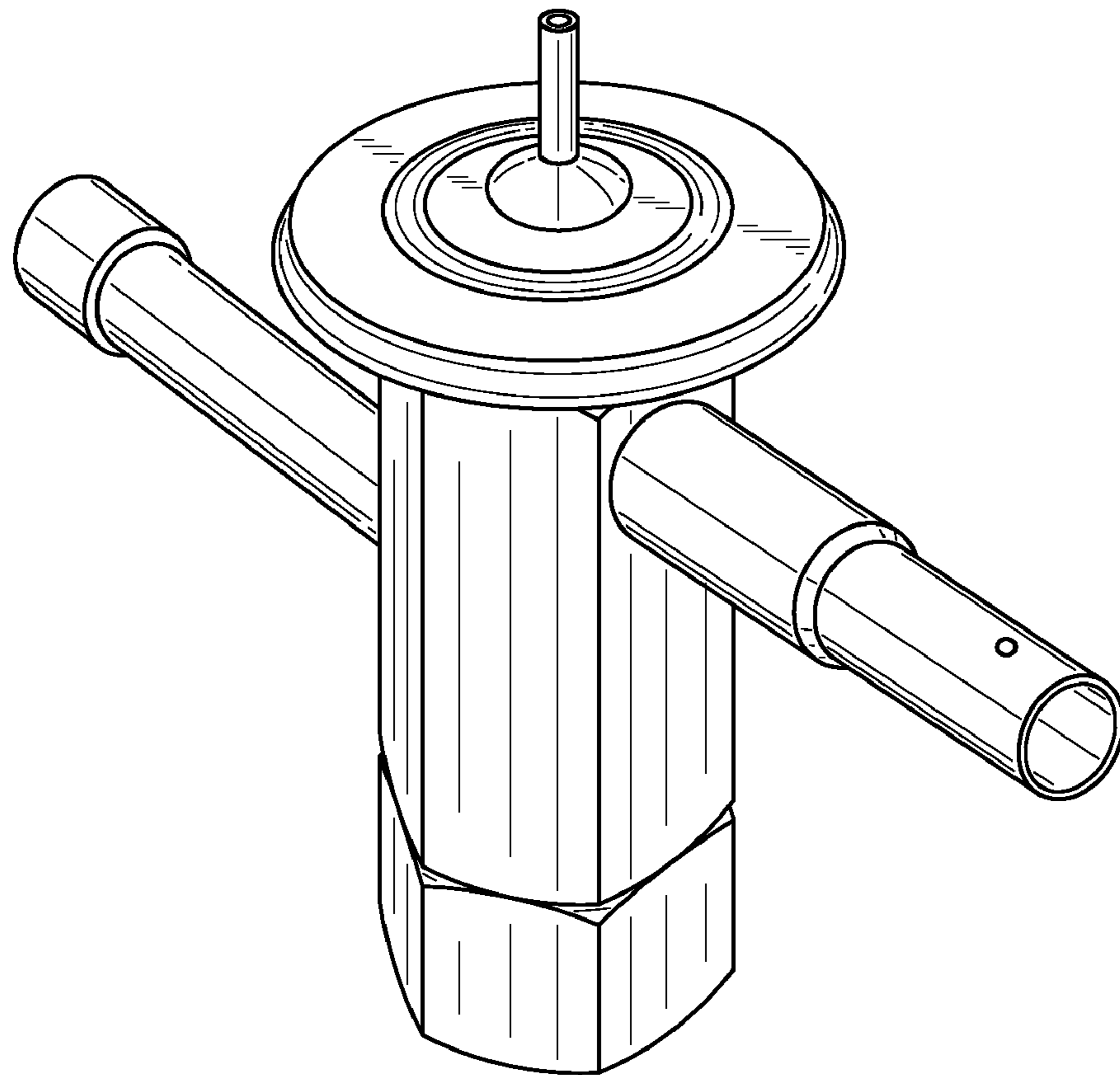


FIG. 1

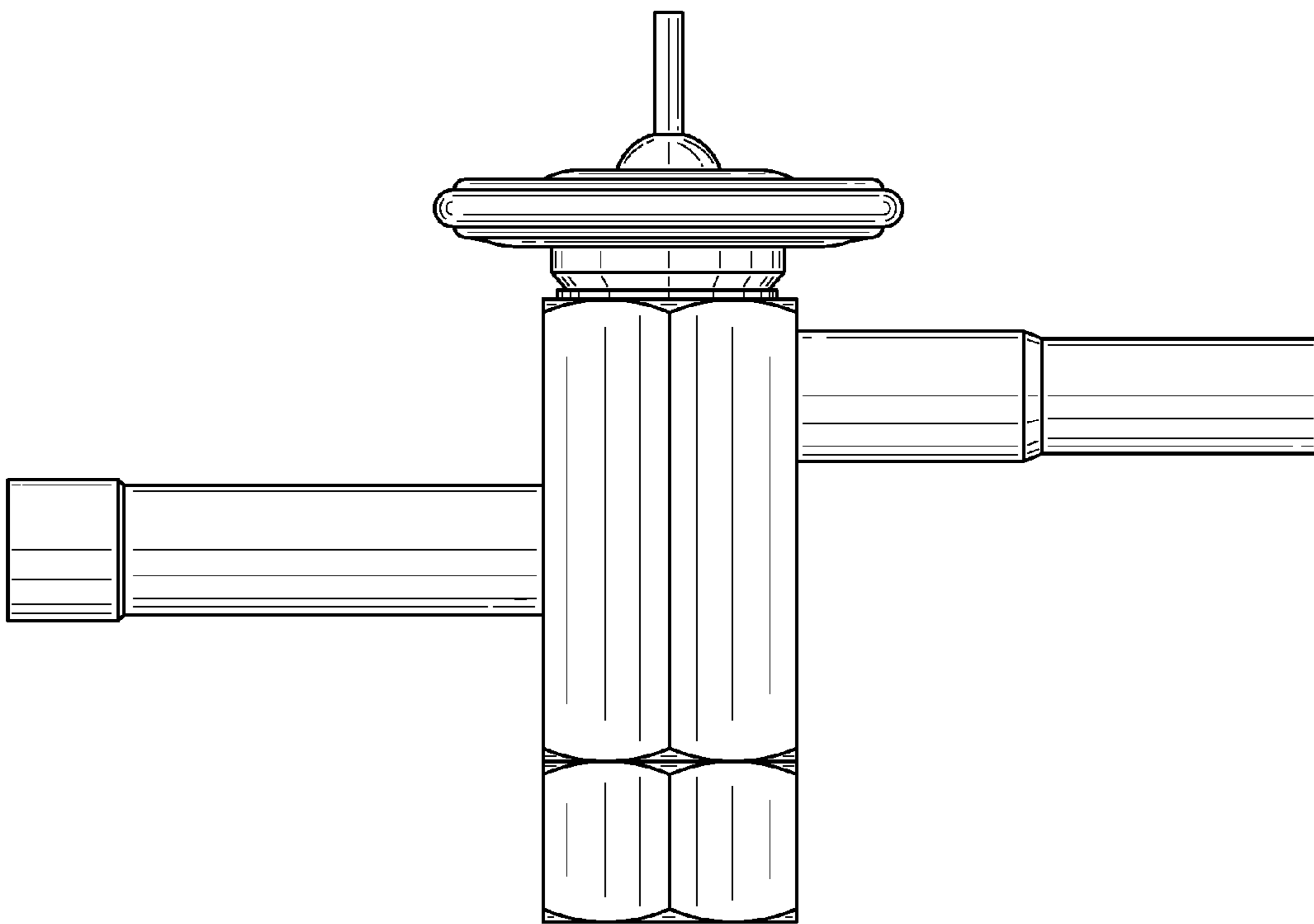


FIG.2

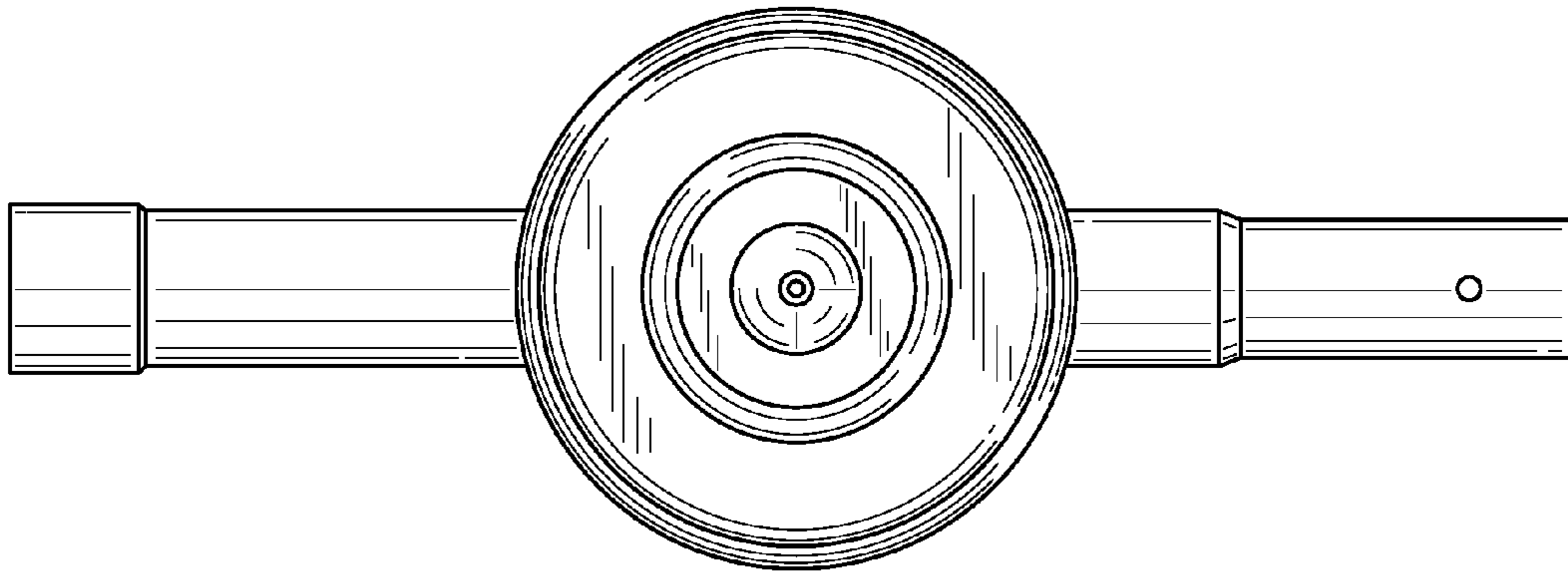


FIG.3

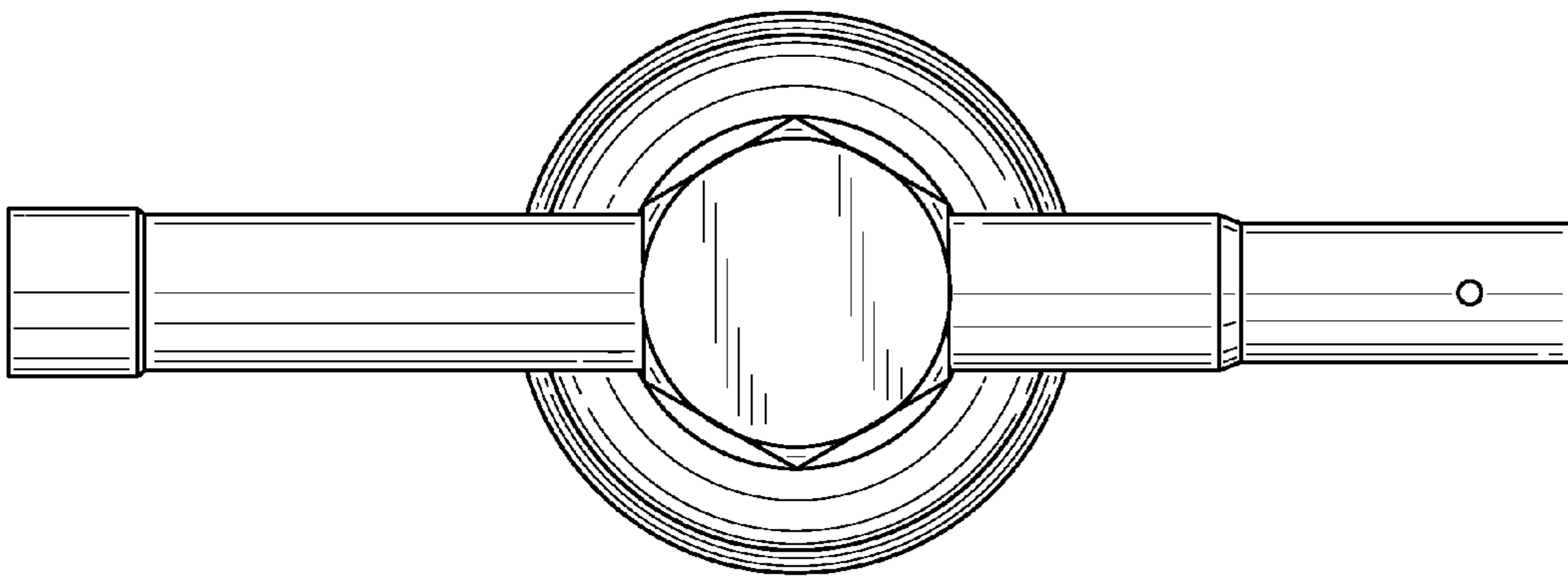


FIG.4

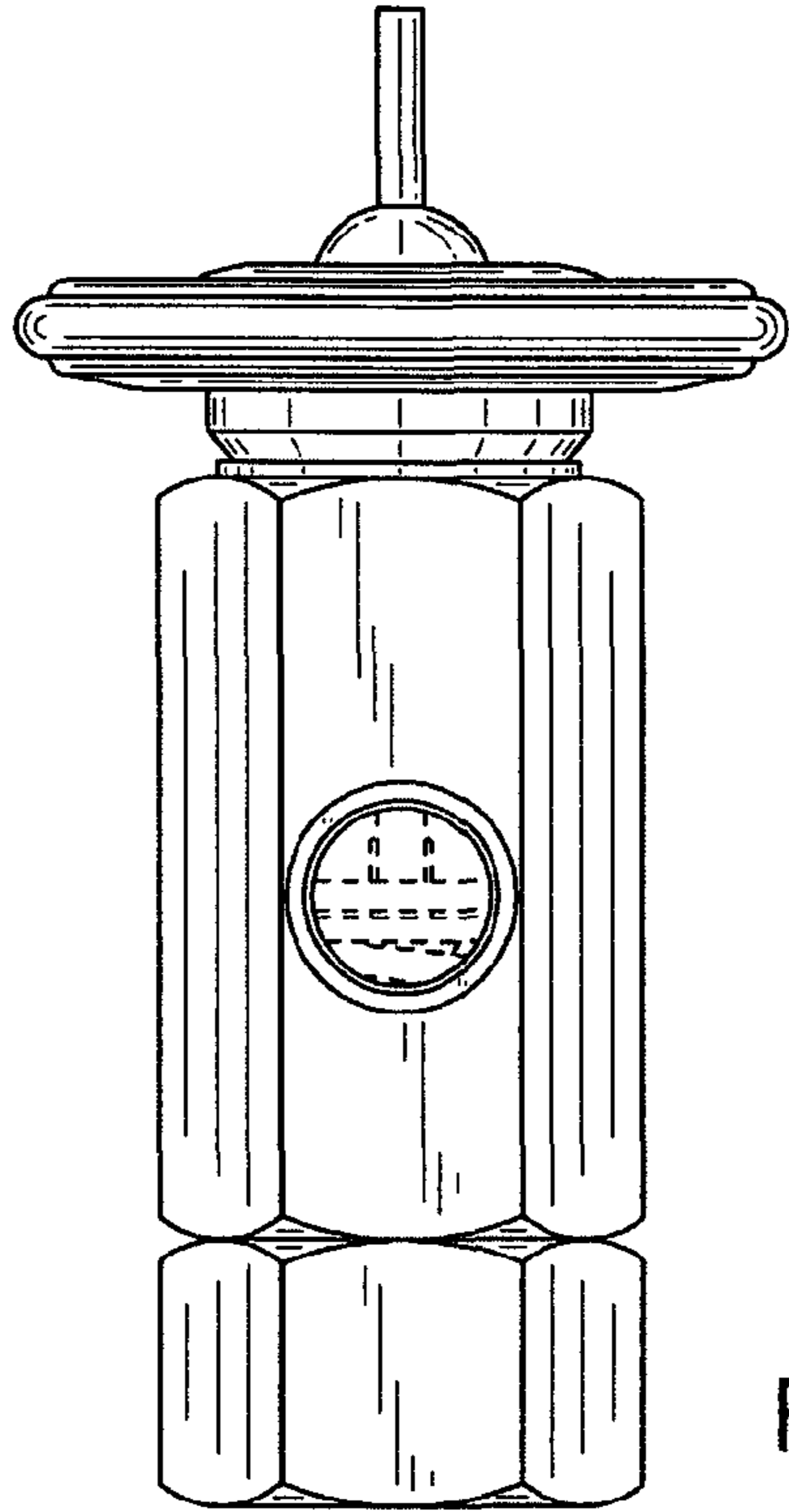


FIG. 5

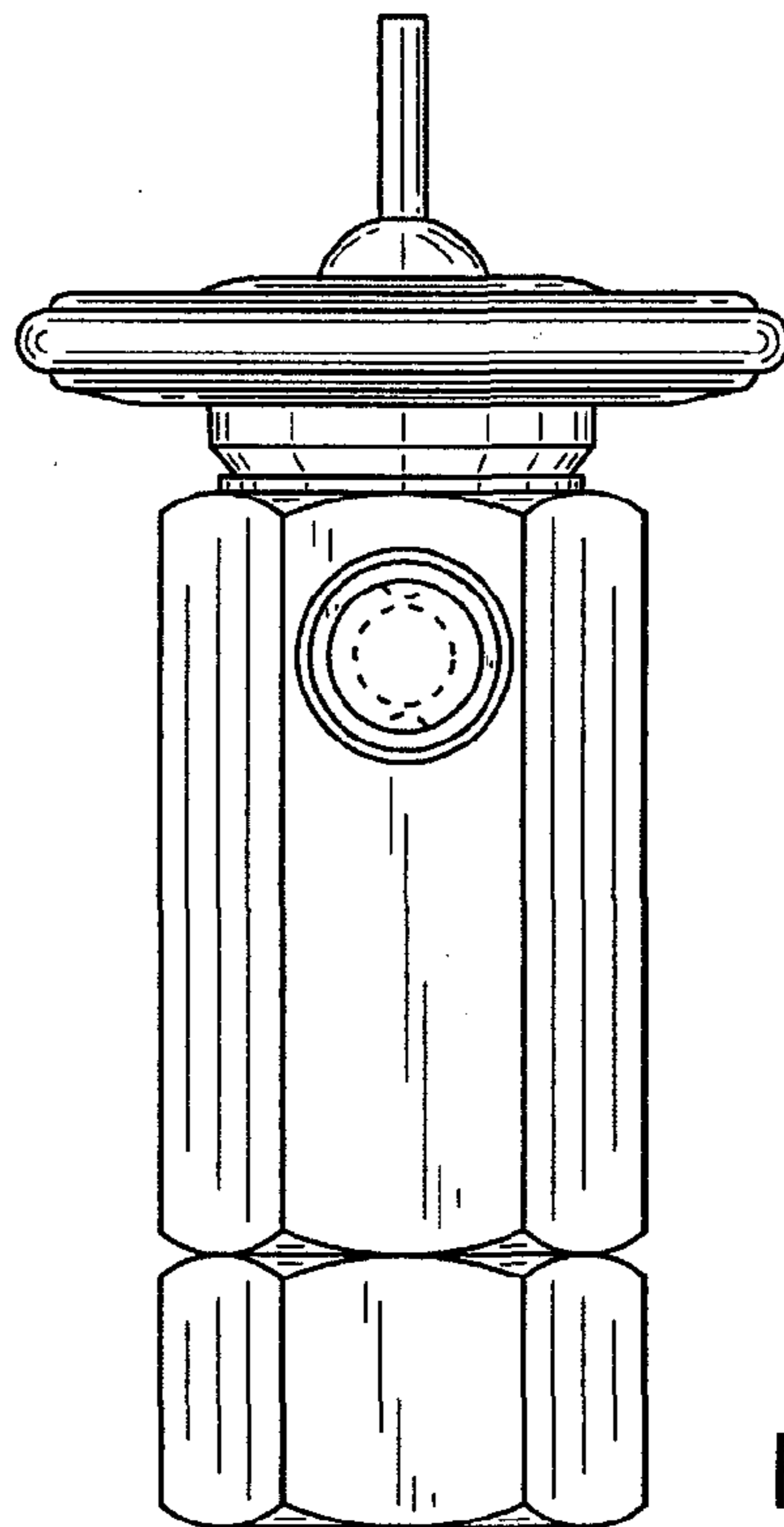


FIG. 6