



US00D599437S

(12) **United States Design Patent**
Parsons et al.

(10) **Patent No.:** **US D599,437 S**
(45) **Date of Patent:** **** Sep. 1, 2009**

(54) **AUTOMATIC BATHROOM FLUSHER COVER**

(75) Inventors: **Natan E. Parsons**, Brookline, MA (US);
Amy Parson, legal representative,
Brookline, MA (US); **Fatih Guler**,
Winchester, MA (US); **Michael D.**
Cattafe, Bolton, MA (US)

(73) Assignee: **Sloan Valve Company**, Franklin Park,
IL (US)

(**) Term: **14 Years**

(21) Appl. No.: **29/308,867**

(22) Filed: **Jul. 12, 2008**

Related U.S. Application Data

(63) Continuation of application No. 29/294,993, filed on
Feb. 4, 2008, which is a continuation of application
No. 10/783,906, filed on Feb. 20, 2004, now Pat. No.
7,325,781, application No. 29/308,867, which is a con-
tinuation of application No. 11/716,546, filed on Mar.
9, 2007, which is a continuation of application No.
10/783,701, filed on Feb. 20, 2004, now Pat. No. 7,188,
822.

(51) **LOC (9) Cl.** **23-01**

(52) **U.S. Cl.** **D23/233**

(58) **Field of Classification Search** D23/233-237,
D23/260, 261; 251/129.04, 30.01-30.05,
251/45, 129.03; 137/377, 381, 382, 382.5;
4/302, 304, 305, 313, 406, DIG. 3; 220/724,
220/726

See application file for complete search history.

(56) **References Cited**

U.S. PATENT DOCUMENTS

207,482 A 8/1878 Blessing 137/188
1,501,331 A 7/1924 Gulick 137/245
1,518,942 A 12/1924 Spear 251/20.04
2,471,328 A 5/1949 Jones 137/403

2,619,122 A 11/1952 Hunter 251/120
2,619,986 A 12/1952 Goepfrich et al. 251/129.17
2,685,301 A 8/1954 Dreier 137/386
2,827,073 A 3/1958 Owens 137/426
2,842,400 A 7/1958 Booth et al. 239/569
2,877,791 A 3/1959 Rich 137/487
2,923,314 A 2/1960 Badger, Jr. et al. 137/414
2,986,155 A 5/1961 Doyle 137/218
2,999,191 A 9/1961 Muradian et al. 361/195
3,019,453 A 2/1962 Radcliffe 4/249
3,034,151 A 5/1962 Filliung 4/249
3,056,143 A 10/1962 Foster 4/249
3,058,485 A 10/1962 McQueen 137/403
3,098,635 A 7/1963 Delaporte et al. 251/54
3,242,940 A 3/1966 Sirotek 137/218
3,254,664 A 6/1966 Delaney et al. 137/244
3,285,261 A 11/1966 Chaney 137/505.12
3,318,565 A 5/1967 Cutler 251/45
3,369,205 A 2/1968 Hamrick 335/177
3,373,449 A 3/1968 Rusnok 4/305
3,386,462 A 6/1968 Walters 137/244

(Continued)

Primary Examiner—Cathron C. Brooks

Assistant Examiner—Maurice Stevens

(74) *Attorney, Agent, or Firm*—Ivan David Zitkovsky

(57)

CLAIM

The ornamental design for an automatic bathroom flusher
cover, as shown and described.

DESCRIPTION

FIG. 1 is a perspective view of an automatic bathroom flusher
cover located on a flusher body showing our new design;

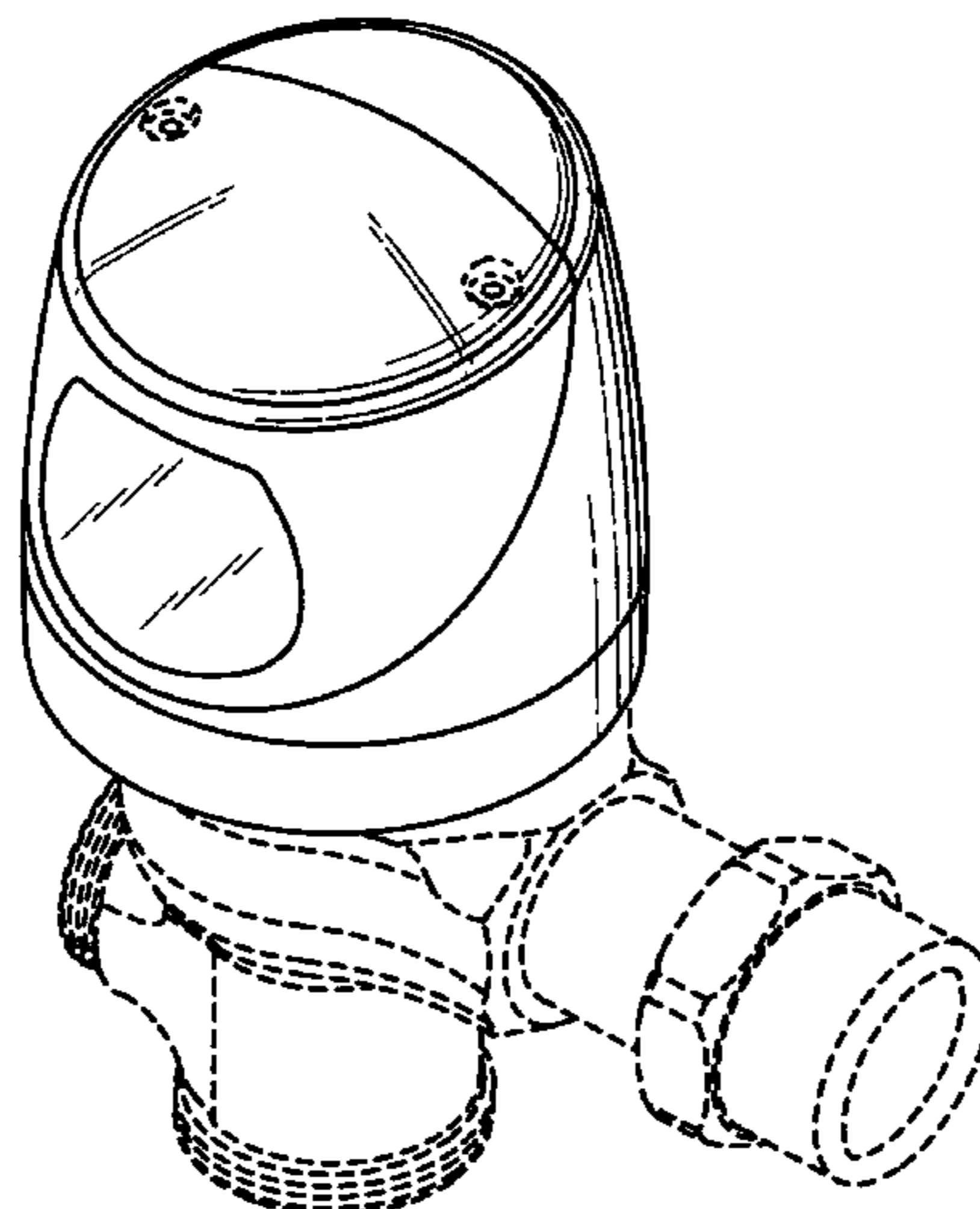
FIG. 2 is a front view thereof;

FIG. 3 is a top view thereof; and,

FIG. 4 is a perspective view of the removable portion of the
enclosure, shown separately for completeness of illustration.

The broken line showing of a flusher body forms no part of the
claimed design.

1 Claim, 2 Drawing Sheets



US D599,437 S

Page 2

U.S. PATENT DOCUMENTS						
3,400,731 A	9/1968	McCormack	137/245	5,036,553 A	8/1991 Sanderson	4/313
3,495,803 A	2/1970	Schoepe et al.	251/25	5,074,520 A	12/1991 Lee et al.	251/40
3,495,804 A	2/1970	Muller et al.	251/36	5,109,886 A	5/1992 Takata et al.	137/596.17
3,559,675 A	2/1971	Schoepe et al.	137/436	5,125,621 A	6/1992 Parsons et al.	251/30.03
3,586,017 A	6/1971	Walters	137/59	5,127,625 A	7/1992 Kleinhappl	251/129.17
3,606,241 A	9/1971	Bornholdt	251/52	5,169,118 A	12/1992 Whiteside	251/30.03
3,693,649 A	9/1972	Gordon et al.	137/414	5,188,337 A	2/1993 Mertens et al.	251/129.17
3,740,019 A	6/1973	Kessell et al.	251/129.17	5,195,720 A *	3/1993 Nortier et al.	251/129.04
3,763,881 A	10/1973	Jones	137/414	5,213,303 A	5/1993 Walker	251/30.02
3,778,023 A	12/1973	Billetter	251/30.01	5,213,305 A	5/1993 Whiteside et al.	251/40
3,791,619 A	2/1974	Pett	251/45	5,224,685 A	7/1993 Chiang et al.	251/129.04
3,802,462 A	4/1974	Trösch	137/556	5,232,194 A	8/1993 Saadi et al.	251/40
3,812,398 A	5/1974	Kozel et al.	251/331	5,244,179 A	9/1993 Wilson	251/30.03
3,821,967 A	7/1974	Sturman	137/624.15	5,245,024 A	9/1993 Scarpa et al.	536/56
3,842,857 A	10/1974	McCormack	137/242	5,251,188 A	10/1993 Parsons et al.	367/140
3,895,645 A	7/1975	Johnson	137/403	5,265,594 A	11/1993 Olsson et al.	128/204.18
4,010,769 A	3/1977	De Lorenzo et al.	137/312	5,265,843 A	11/1993 Kleinhappl	251/129.17
4,065,095 A	12/1977	Johnson	251/118	5,281,808 A	1/1994 Kunkel	250/221
4,097,786 A	6/1978	Lund	318/282	5,295,655 A	3/1994 Wilson et al.	251/40
4,105,186 A	8/1978	Eby	251/35	5,313,673 A	5/1994 Saadi et al.	4/313
4,135,696 A	1/1979	Saarem et al.	251/30.02	5,315,719 A	5/1994 Tsutsui et al.	4/300
4,141,091 A	2/1979	Pulvari	4/313	5,335,694 A	8/1994 Whiteside	137/625.37
4,206,901 A	6/1980	Williams	251/35	5,375,811 A	12/1994 Reinicke	251/129.16
4,231,287 A	11/1980	Smiley	92/94	D354,113 S *	1/1995 Nortier et al.	D23/233
4,272,052 A	6/1981	Gidner	251/39	D355,478 S	2/1995 Allen et al.	D23/249
4,280,680 A	7/1981	Payne	251/175	5,408,369 A	4/1995 Miura et al.	360/75
4,295,485 A	10/1981	Waterfield	137/74	D357,976 S	5/1995 Allen et al.	D23/249
4,295,631 A	10/1981	Allen	251/30.03	5,412,816 A	5/1995 Paterson et al.	4/623
4,295,653 A	10/1981	Coles	277/320	5,431,181 A	7/1995 Saadi et al.	137/15.11
4,304,391 A	12/1981	Yamaguchi	251/129.05	5,433,245 A	7/1995 Prather et al.	137/554
4,309,781 A	1/1982	Lissau	4/304	5,456,279 A	10/1995 Parsons et al.	137/245
4,383,234 A	5/1983	Yatsushiro et al.	335/253	5,474,303 A	12/1995 Coles	277/317
4,505,451 A	3/1985	Jonas	251/285	5,481,187 A	1/1996 Marcott et al.	324/207.16
4,570,272 A	2/1986	Kawaguchi et al.	4/302	5,508,510 A	4/1996 Laverty et al.	250/221
4,597,895 A	7/1986	Bartlett	252/392	5,539,198 A	7/1996 McMichael et al.	250/221
4,604,735 A	8/1986	Parsons	367/93	5,548,119 A	8/1996 Nortier	250/341.1
4,609,178 A	9/1986	Baumann	251/229	5,555,912 A	9/1996 Saadi et al.	137/801
4,611,356 A	9/1986	Lin	4/301	5,566,702 A	10/1996 Philipp	137/1
4,709,427 A	12/1987	Laverty, Jr.	4/427	5,574,617 A	11/1996 Shimanuki et al.	361/154
4,729,342 A	3/1988	Loctin	119/163	5,583,434 A	12/1996 Moyers et al.	324/207.16
4,756,031 A	7/1988	Barrett	4/407	5,584,465 A	12/1996 Ochsenreiter	251/65
4,787,411 A	11/1988	Moldenhauer	137/244	5,600,237 A	2/1997 Nippert	324/207.16
4,793,588 A	12/1988	Laverty, Jr.	251/30.03	5,636,601 A	6/1997 Moriya et al.	123/90.11
4,796,662 A	1/1989	Hoffmann et al.	137/596.16	5,668,366 A	9/1997 Mauerhofer	250/221
4,805,247 A	2/1989	Laverty, Jr.	4/304	5,680,879 A	10/1997 Sheih et al.	137/240
4,823,414 A	4/1989	Piersimoni et al.	4/623	5,708,355 A	1/1998 Schrey	323/282
4,823,825 A	4/1989	Buchl	137/1	5,716,038 A	2/1998 Scarffe	251/30.03
4,826,132 A	5/1989	Moldenhauer	251/129.17	5,747,684 A	5/1998 Pace et al.	73/119 A
4,832,582 A	5/1989	Buffet	417/413.1	D396,090 S	7/1998 Marcichow et al.	D23/233
4,839,039 A	6/1989	Parsons et al.	210/143	5,785,955 A	7/1998 Fischer	424/49
4,887,032 A	12/1989	Hetrick	324/207.16	5,787,915 A	8/1998 Byers et al.	137/1
4,891,864 A	1/1990	Laverty, Jr.	91/399	5,787,924 A	8/1998 Cewers et al.	137/487.5
4,893,645 A	1/1990	Augustinas et al.	137/315.03	5,797,360 A	8/1998 Pischinger et al.	123/90.11
4,894,698 A	1/1990	Hijikigawa et al.	257/254	5,804,962 A	9/1998 Kather et al.	324/207.16
4,894,874 A	1/1990	Wilson	4/623	5,815,362 A	9/1998 Kahr et al.	361/153
4,910,487 A	3/1990	Kleinhappl	335/234	5,819,336 A	10/1998 Gilliam et al.	4/623
4,911,401 A	3/1990	Holcomb et al.	251/30.03	5,881,993 A	3/1999 Wilson et al.	251/40
4,921,208 A	5/1990	LaMarca	251/30.04	5,887,848 A	3/1999 Wilson	251/40
4,921,211 A	5/1990	Novak et al.	251/129.04	5,900,201 A	5/1999 Chatterjee et al.	264/109
4,932,430 A	6/1990	Fernstrom	137/85	5,901,384 A	5/1999 Sim	4/313
4,941,215 A	7/1990	Liu	4/406	5,905,625 A	5/1999 Schebitz	361/154
4,941,219 A	7/1990	Van Marcke	4/623	D411,609 S *	6/1999 Stoltenberg et al.	D23/233
4,944,487 A	7/1990	Holtermann	251/129.17	5,941,505 A	8/1999 Nagel	251/335.2
4,965,448 A	10/1990	Morse	251/252.1	5,950,983 A	9/1999 Jahrling	251/129.04
4,977,929 A	12/1990	Chinnock et al.	137/863	5,964,192 A	10/1999 Ishii	123/90.11
4,988,074 A	1/1991	Najmolhoda	251/129.08	5,967,182 A	10/1999 Wilson	137/544
4,989,277 A	2/1991	Tsutsui et al.	4/367	5,975,370 A	11/1999 Durliat	222/153.06
4,998,673 A	3/1991	Pilolla	239/67	5,979,500 A	11/1999 Jahrling et al.	137/624.12
5,025,516 A	6/1991	Wilson	4/623	5,984,262 A	11/1999 Parsons et al.	251/129.04
5,027,850 A	7/1991	Peterson et al.	137/245	5,996,965 A	12/1999 Eichholz et al.	251/30.05
5,032,812 A	7/1991	Banick et al.	335/17	6,000,674 A	12/1999 Cheng	251/26
				6,019,343 A	2/2000 Tsai	251/30.02
				6,024,059 A	2/2000 Kamimaru et al.	123/90.11

US D599,437 S

Page 3

6,044,814 A	4/2000	Fuwa	123/90.11	6,340,032 B1	1/2002	Zosimadis	137/552
6,056,261 A	5/2000	Aparicio et al.	251/129.03	6,353,942 B1	3/2002	Pondelick et al.	4/431
6,127,671 A	10/2000	Parsons et al.	250/221	6,367,096 B1	4/2002	Quintana	4/427
6,155,231 A	12/2000	Adachi et al.	123/399	6,382,586 B1	5/2002	Wilson et al.	251/40
6,158,715 A	12/2000	Kirschbaum	251/129.06	6,450,478 B2	9/2002	Parsons et al.	251/129.04
6,161,726 A	12/2000	Parsons et al.	222/52	6,499,152 B2	12/2002	Johnson	3/302
6,182,689 B1	2/2001	Lauer et al.	137/550	6,609,698 B1	8/2003	Parsons et al.	251/129.17
6,212,697 B1	4/2001	Parsons et al.	4/302	6,619,614 B2	9/2003	Parsons et al.	251/129.04
6,216,730 B1	4/2001	Hall	137/550	6,643,853 B2	11/2003	Wilson et al.	4/249
6,227,219 B1	5/2001	Pino	137/1	6,659,420 B2	12/2003	Hwang	251/26
6,243,885 B1	6/2001	Lopez-Torres, Jr.	4/300	6,685,158 B2	2/2004	Parsons	251/30.01
6,260,576 B1	7/2001	Allen	137/550	6,781,835 B2	3/2005	Parsons	251/30.83
6,273,394 B1	8/2001	Vincent et al.	251/129.04	7,188,822 B2 *	3/2007	Marcichow et al.	251/30.01
6,293,516 B1	9/2001	Parsons et al.	251/129.04	7,325,781 B2 *	2/2008	Parsons et al.	251/129.04
6,299,127 B1	10/2001	Wilson	251/38	2007/0246671 A1	10/2007	Marcichow et al.	251/30.01
6,305,662 B1	10/2001	Parsons et al.	251/129.04				
D452,898 S *	1/2002	Johnson	D23/233				

* cited by examiner

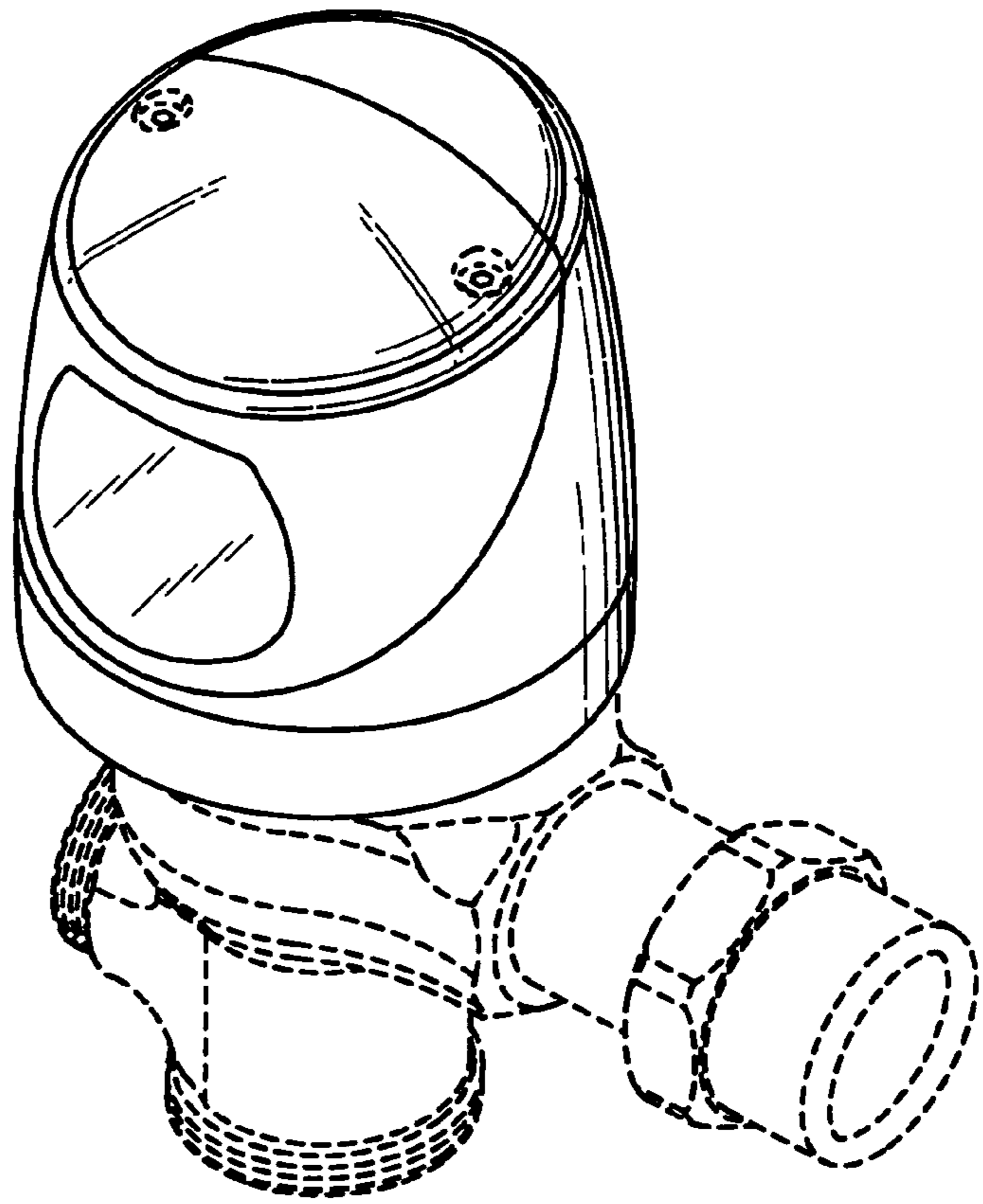


FIG. 1

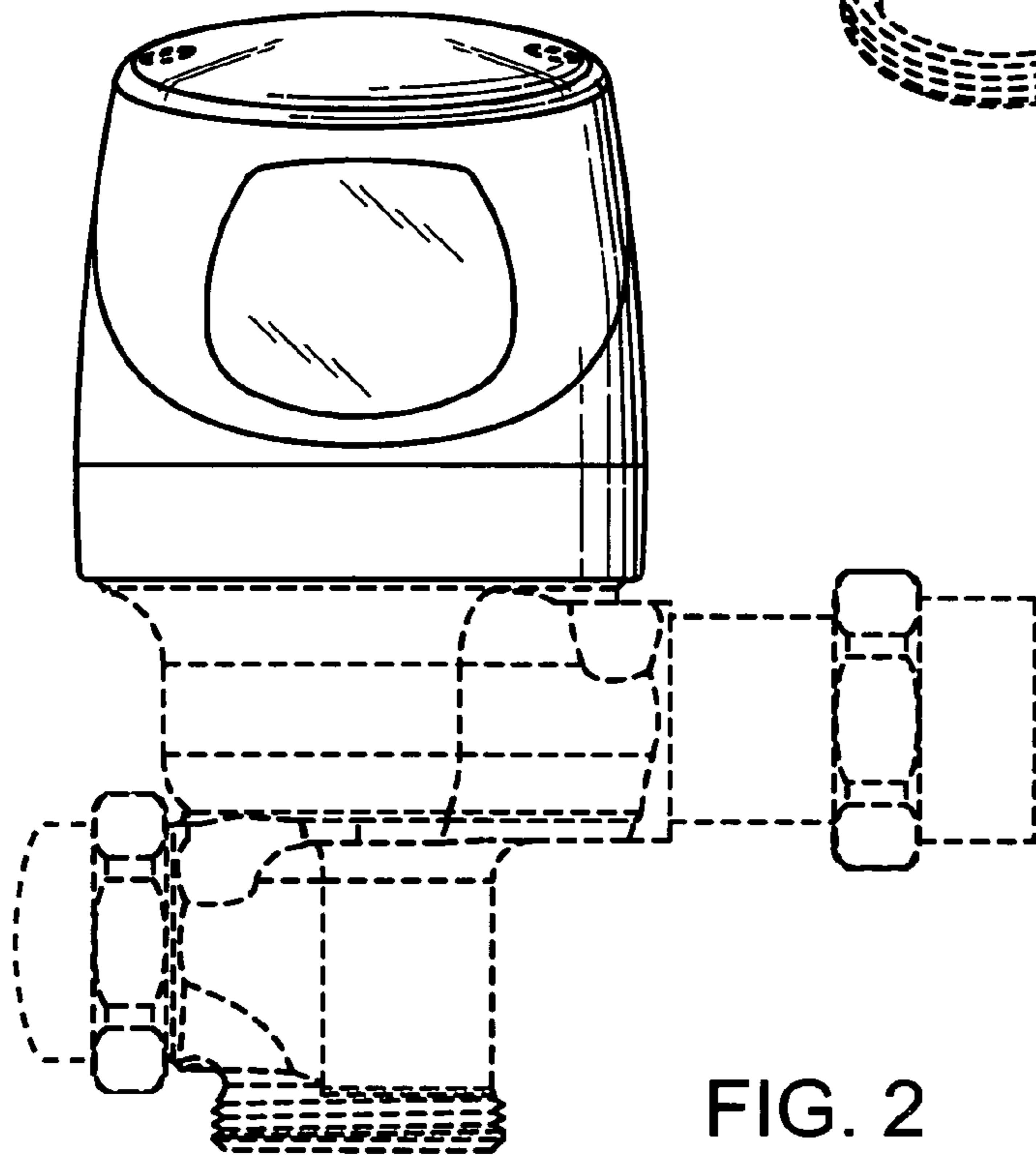


FIG. 2

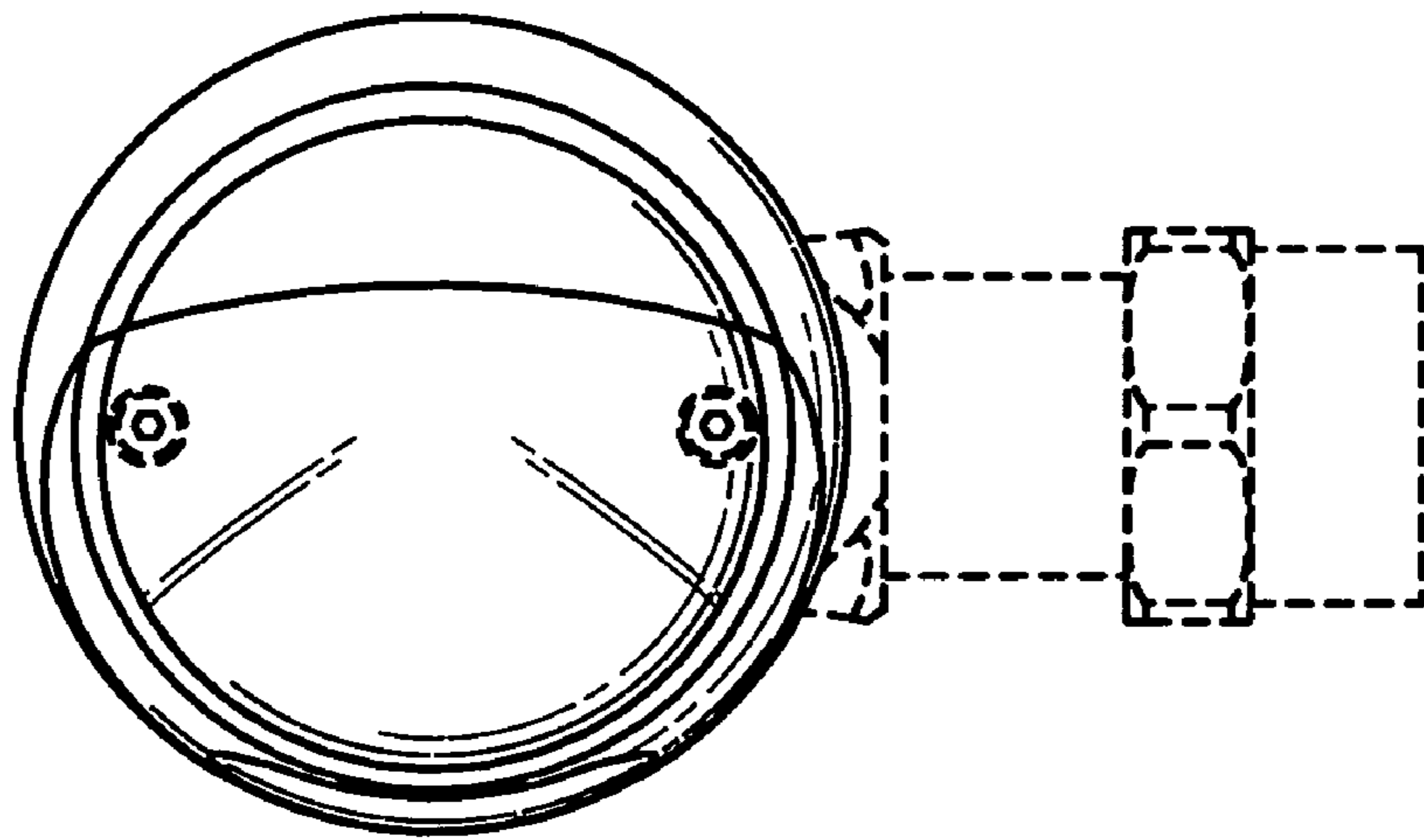


FIG. 3

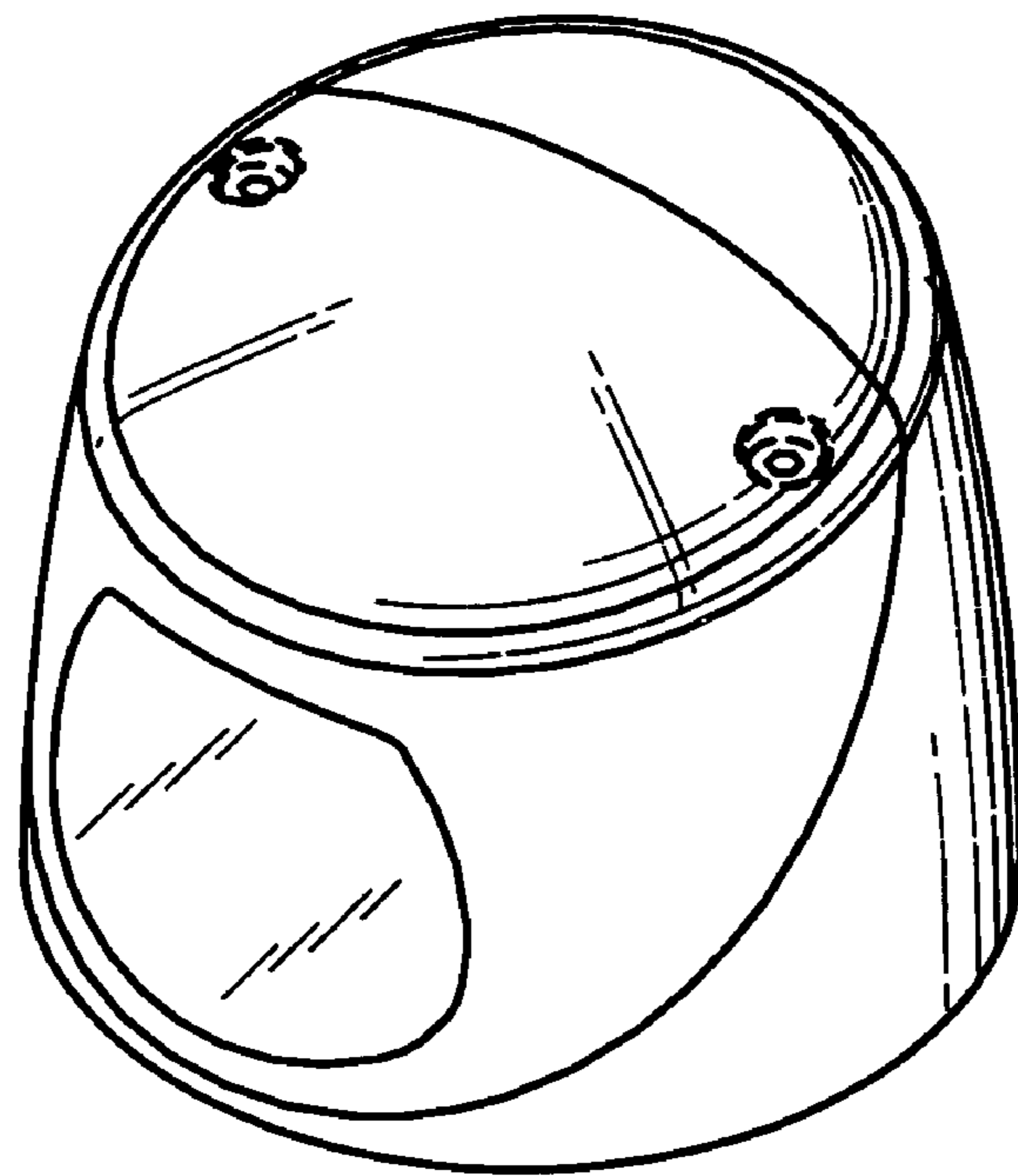


FIG. 4