



US00D599434S

(12) **United States Design Patent**
Stenberg

(10) **Patent No.:** **US D599,434 S**

(45) **Date of Patent:** **** Sep. 1, 2009**

(54) **VALVE CONE FOR A REGULATING VALVE**

2007/0175908 A1* 8/2007 Siri 220/714
2008/0223946 A1* 9/2008 Rho 237/8 A

(75) Inventor: **Daniel Stenberg**, Borås (SE)

* cited by examiner

(73) Assignee: **Tour & Andersson AB**, Ljung (SE)

Primary Examiner—Cathron C. Brooks

(**) Term: **14 Years**

Assistant Examiner—Maurice Stevens

(74) *Attorney, Agent, or Firm*—Davis & Bujold, P.L.L.C.

(21) Appl. No.: **29/271,354**

(57) **CLAIM**

(22) Filed: **Jan. 17, 2007**

The ornamental design for a valve cone for a regulating valve, as shown.

(30) **Foreign Application Priority Data**

Oct. 30, 2006 (NO) 20060559

DESCRIPTION

(51) **LOC (9) Cl.** **23-01**

FIG. 1 is a perspective view from above showing my new design;

(52) **U.S. Cl.** **D23/233**

FIG. 2 is a perspective view from below of the valve cone for a regulating valve shown in FIG. 1;

(58) **Field of Classification Search** D23/233–237;
137/625.33, 625.37; 251/30.01, 43, 120,
251/126, 129.07, 282, 324, 325

FIG. 3 is a top plan view of the valve cone for a regulating valve shown in FIG. 1;

See application file for complete search history.

FIG. 4 is an underneath plan view of the valve cone for a regulating valve shown in FIG. 1;

(56) **References Cited**

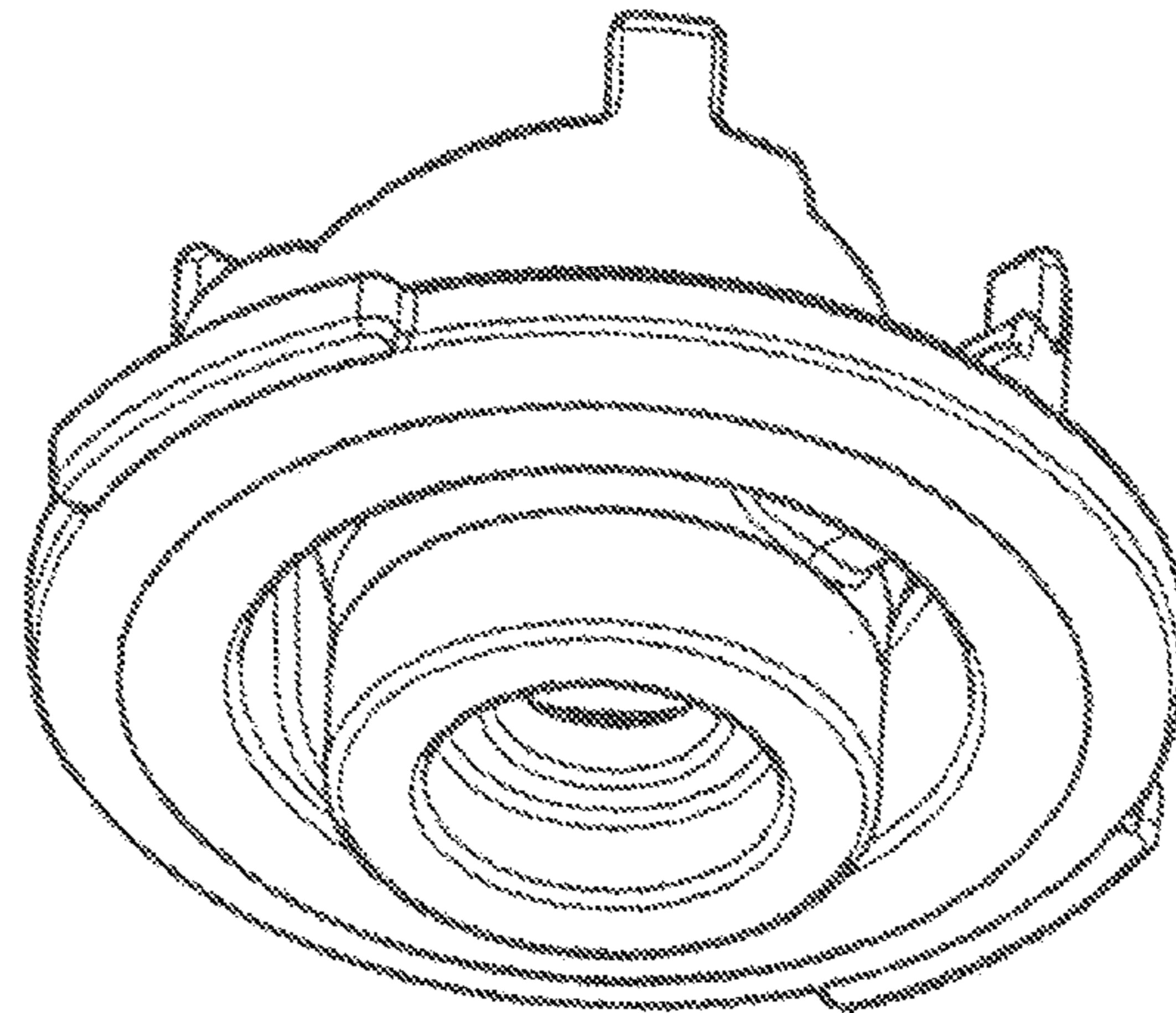
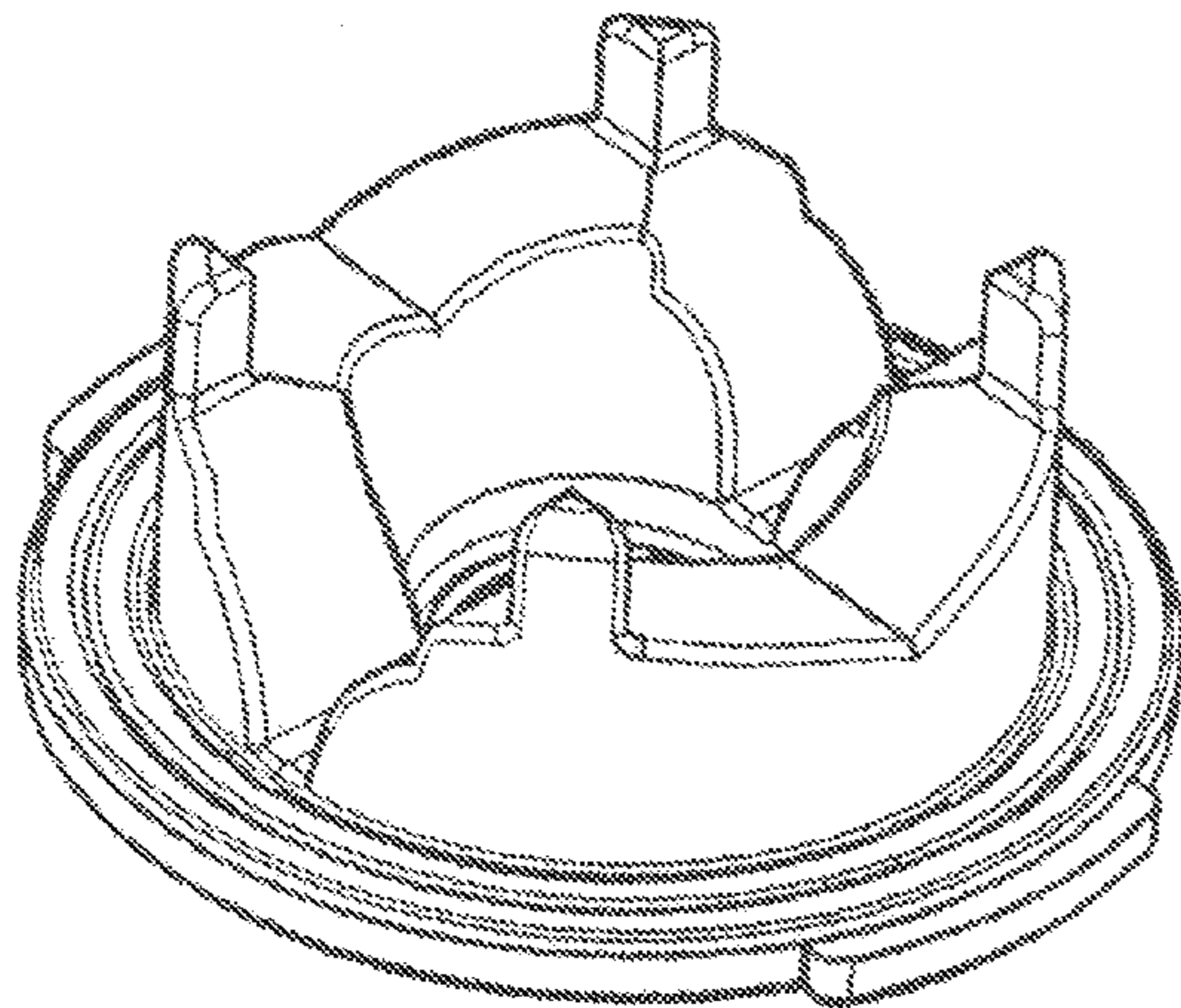
U.S. PATENT DOCUMENTS

D422,058 S * 3/2000 Meredith D23/233
D470,570 S * 2/2003 Wass D23/233
D482,761 S * 11/2003 Gotoh et al. D23/262
7,028,976 B2 * 4/2006 Bachmann et al. 251/126
D576,704 S * 9/2008 Gilcher D23/233

FIG. 5 is a side view from one side of the valve cone for a regulating valve shown in FIG. 1; and,

FIG. 6 is a side view of the another side of the valve cone for a regulating valve shown in FIG. 1.

1 Claim, 6 Drawing Sheets



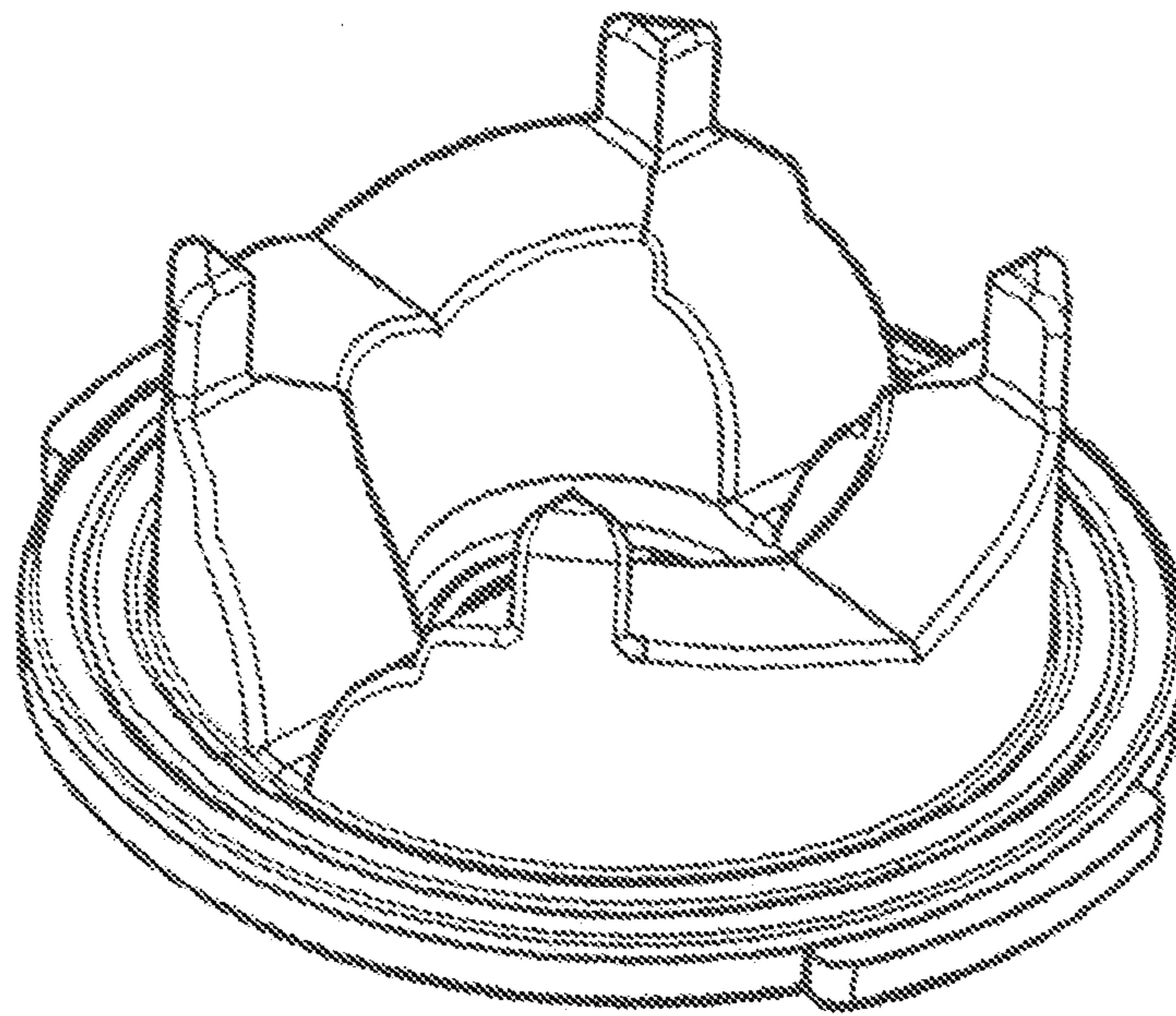


Fig. 1

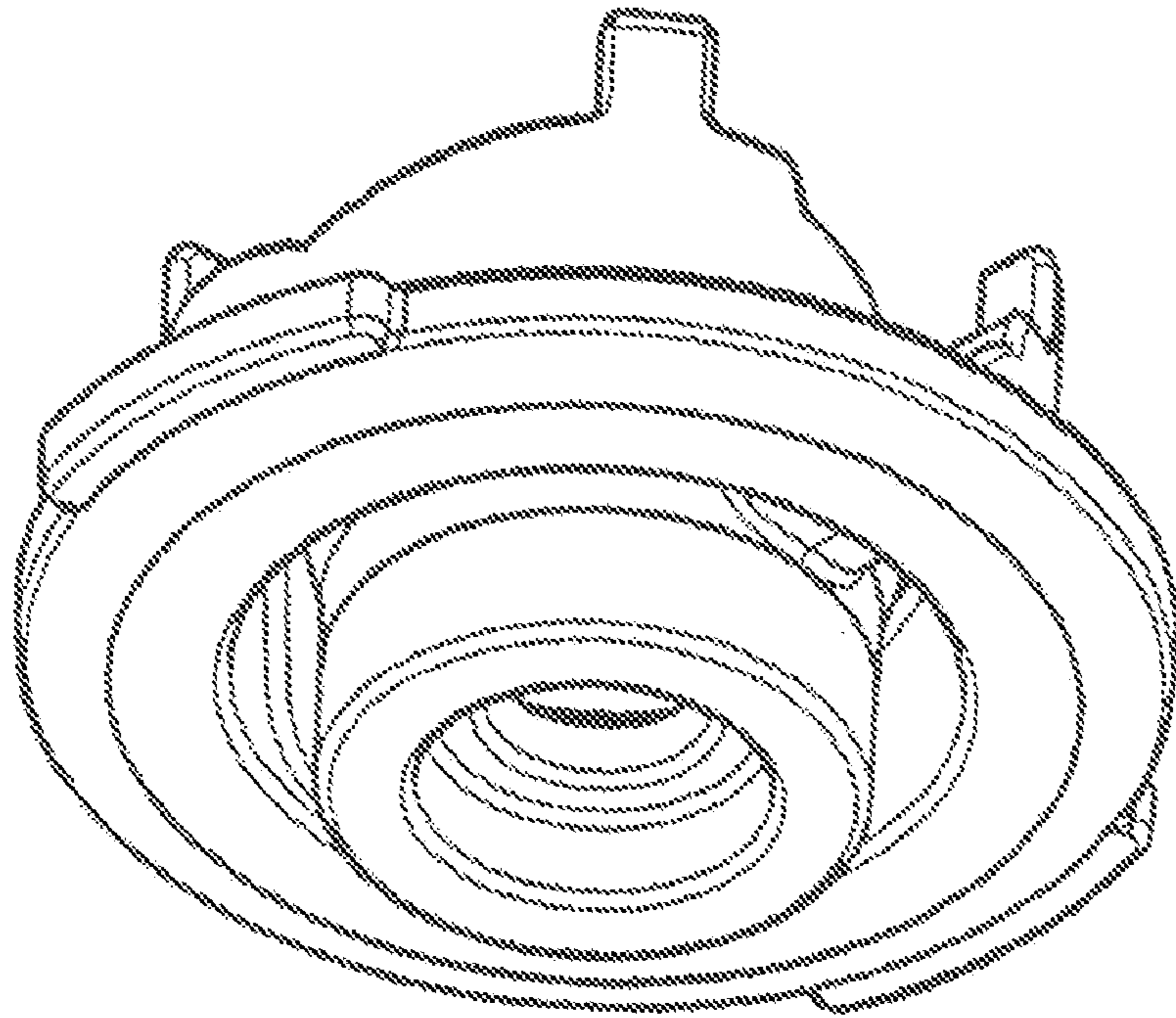


Fig. 2

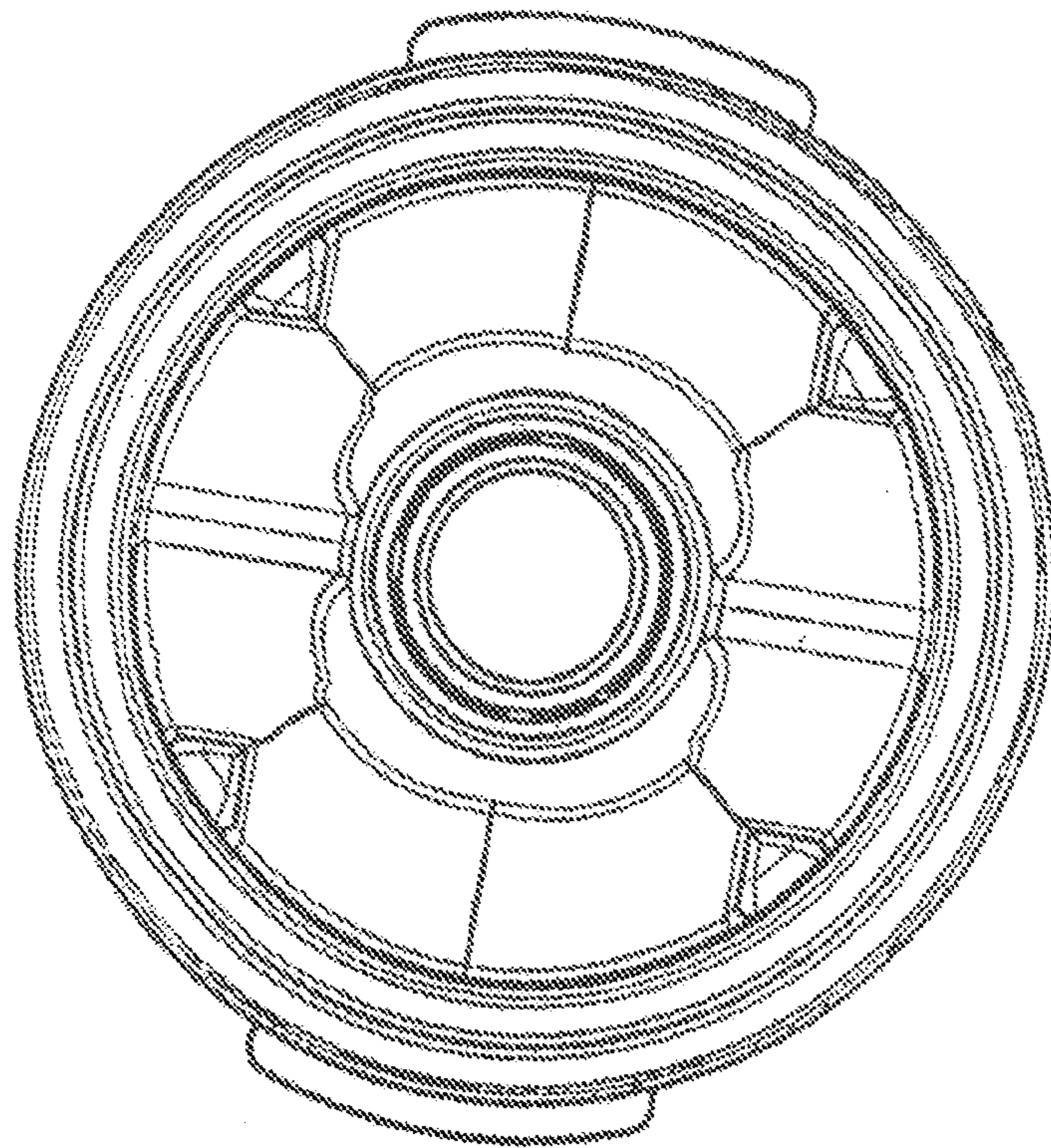


Fig. 3

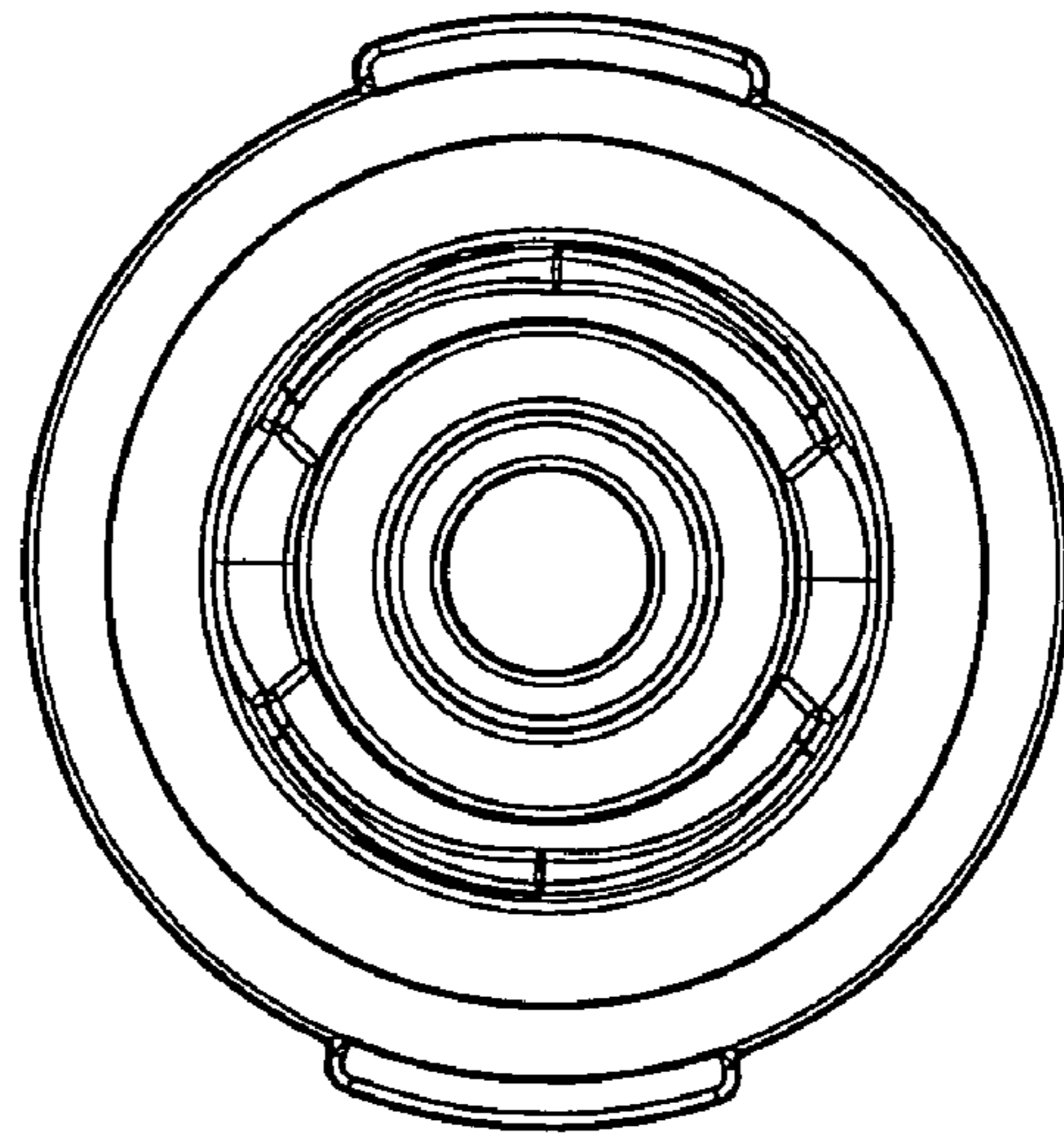


Fig. 4

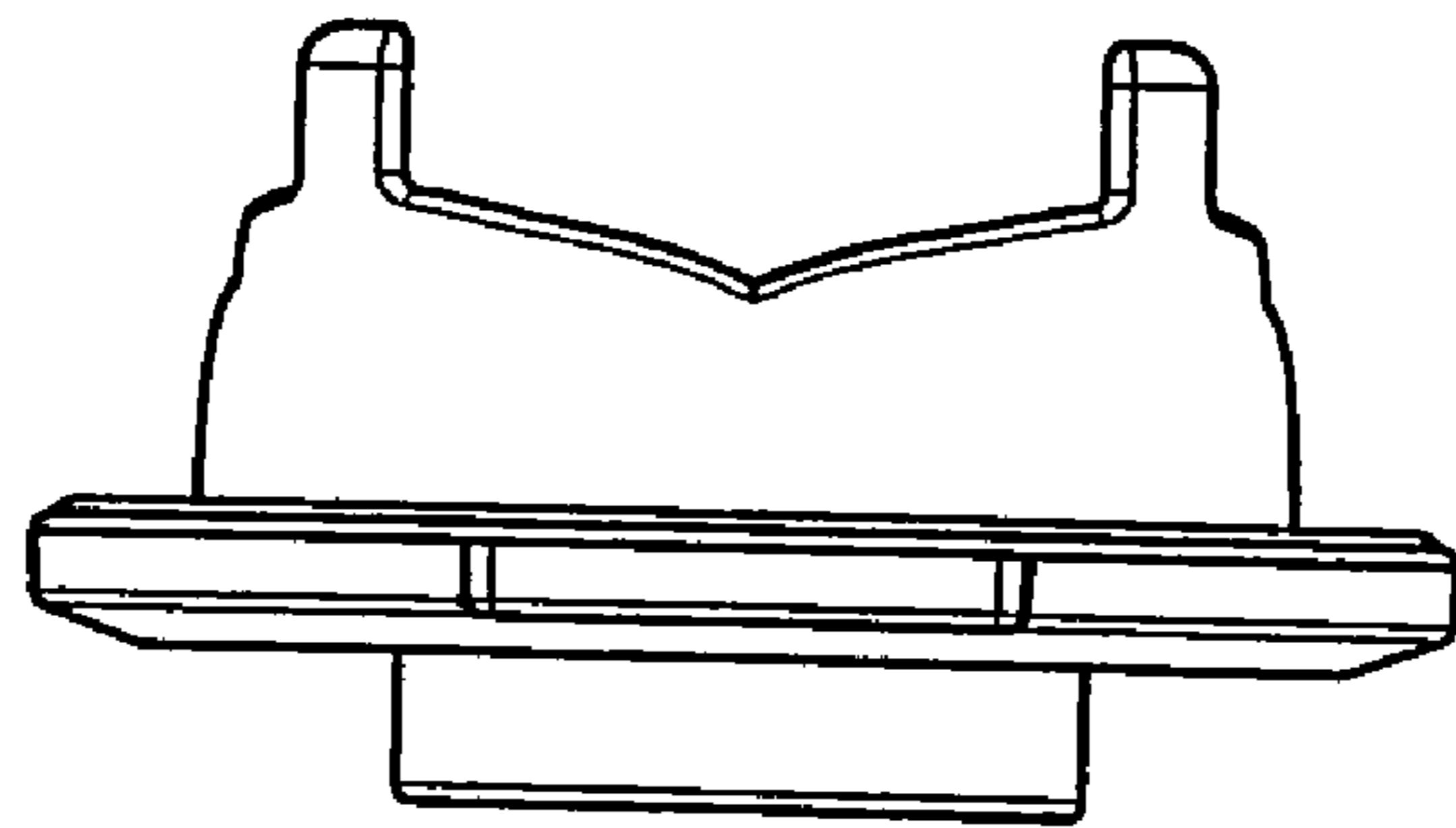


Fig. 5

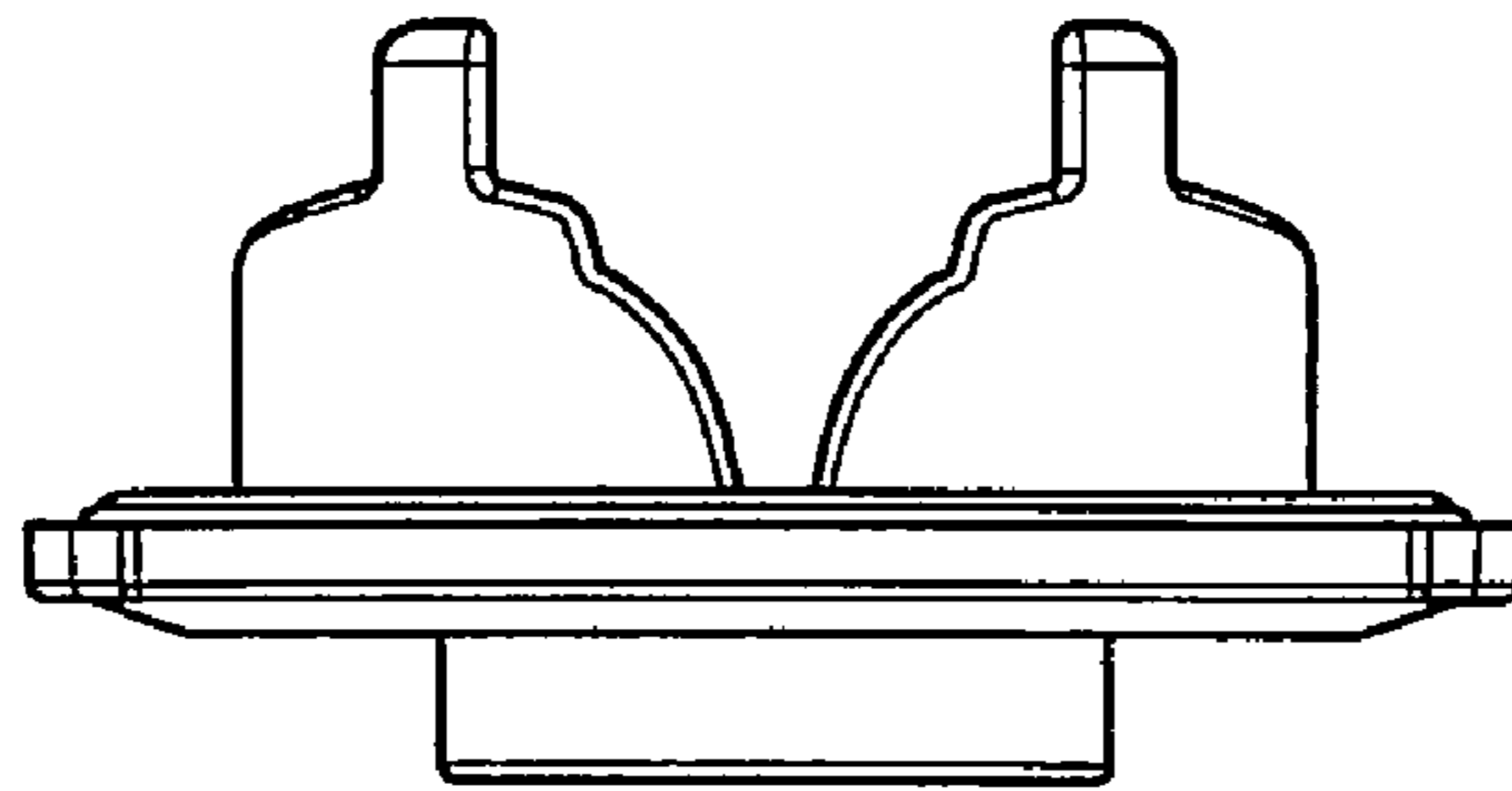


Fig. 6