



US00D599432S

(12) **United States Design Patent**
Buesseler et al.

(10) **Patent No.:** **US D599,432 S**
(45) **Date of Patent:** **** Sep. 1, 2009**

(54) **FLUID FILTRATION DEVICE**

(75) Inventors: **Josh Buessler**, Seattle, WA (US);
Redwood Stephens, Seattle, WA (US);
Earl Sherrard, Ravensdale, WA (US)

(73) Assignee: **Cascade Designs, Inc.**, Seattle, WA (US)

(**) Term: **14 Years**

(21) Appl. No.: **29/307,875**

(22) Filed: **May 15, 2008**

(51) **LOC (9) Cl.** **23-01**

(52) **U.S. Cl.** **D23/209**

(58) **Field of Classification Search** D23/207,
D23/209; 210/446, 459, 497.01
See application file for complete search history.

(56) **References Cited**

U.S. PATENT DOCUMENTS

D351,893 S *	10/1994	Whitesel	D23/207
D377,826 S *	2/1997	Robbins	D23/209
5,651,887 A *	7/1997	Posner et al.	210/232
D454,614 S *	3/2002	Marston	D23/207

* cited by examiner

Primary Examiner—Robin V Webster

(74) *Attorney, Agent, or Firm*—Graybeal Jackson LLP

(57) **CLAIM**

The ornamental design of a fluid filtration device, as shown and described.

DESCRIPTION

FIG. 1 is a perspective view of a fluid filtration device according to the invention;

FIG. 2 is a bottom plan view of the fluid filtration device of FIG. 1;

FIG. 3 is a top plan view of the fluid filtration device of FIG. 1;

FIG. 4 is a first side elevation view of the fluid filtration device of FIG. 1;

FIG. 5 is a second side elevation view of the fluid filtration device of FIG. 1;

FIG. 6 is a front elevation view of the fluid filtration device of FIG. 1; and,

FIG. 7 is a rear elevation view of the fluid filtration device of FIG. 1.

1 Claim, 3 Drawing Sheets

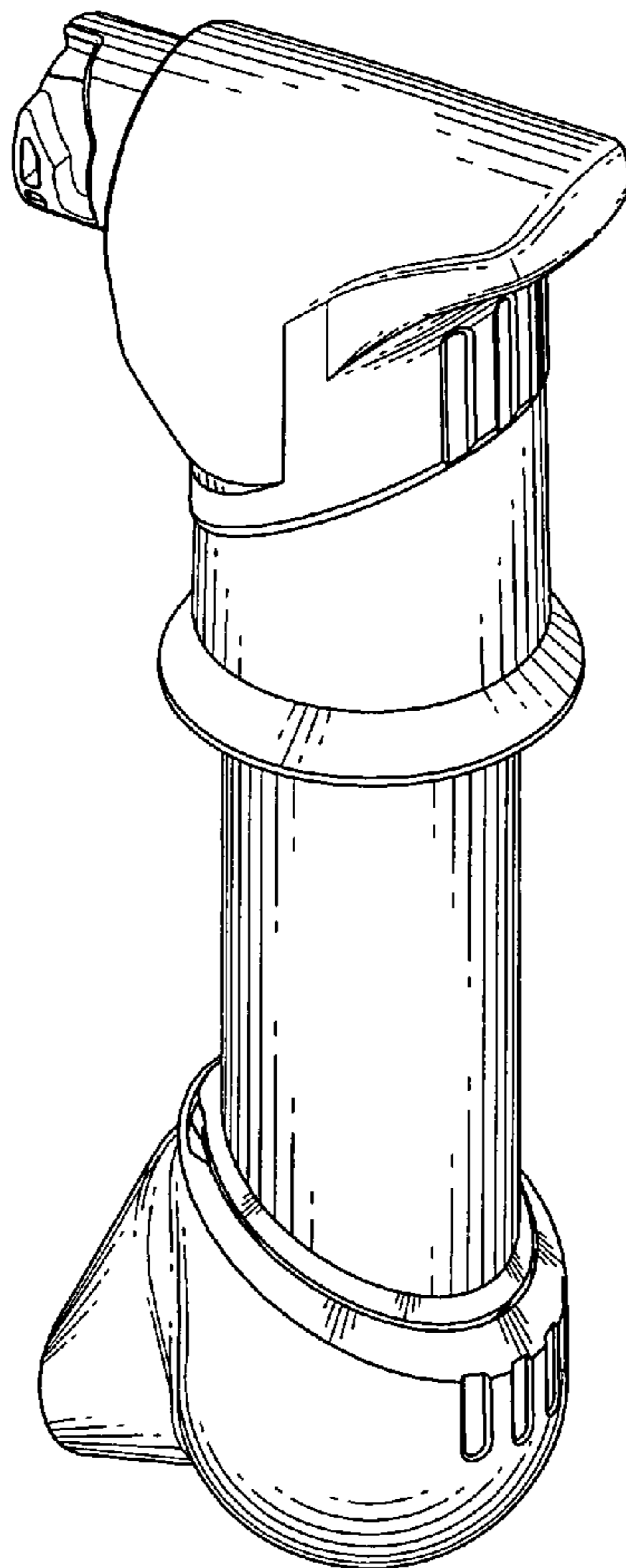


FIG. 1

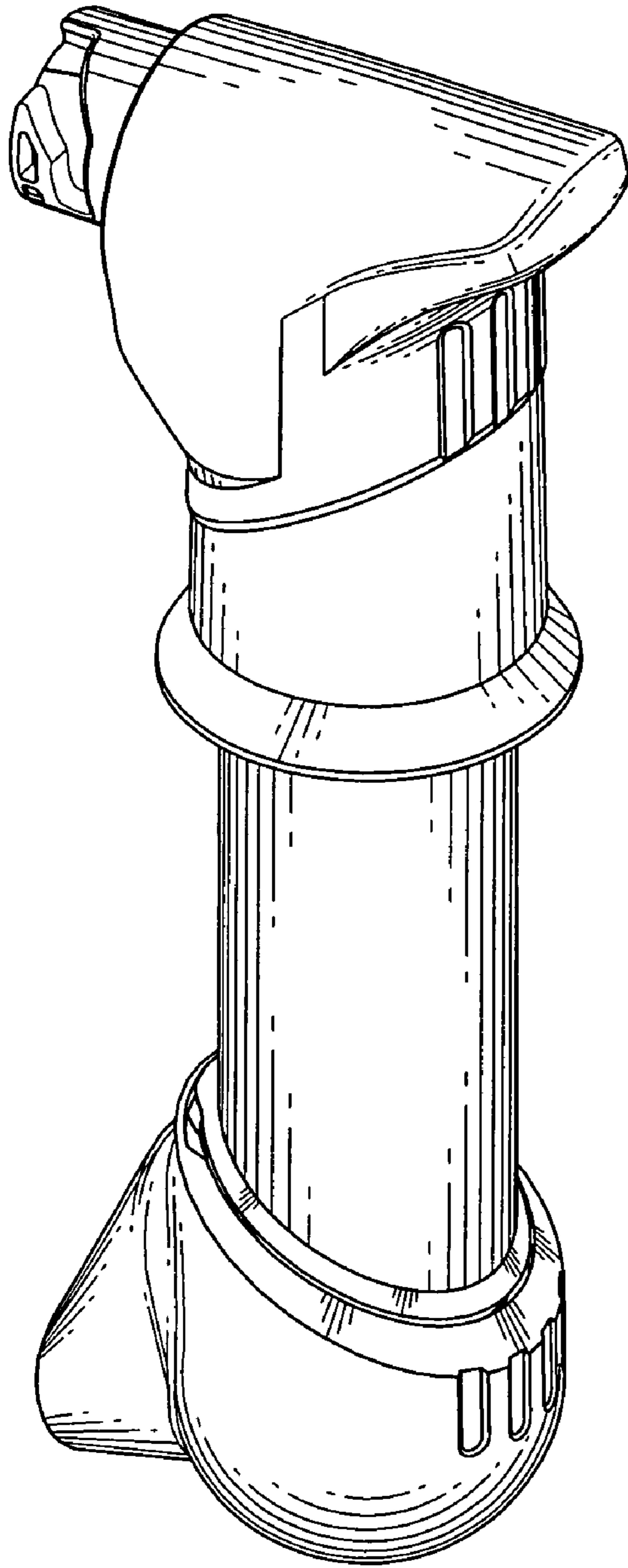


FIG. 6

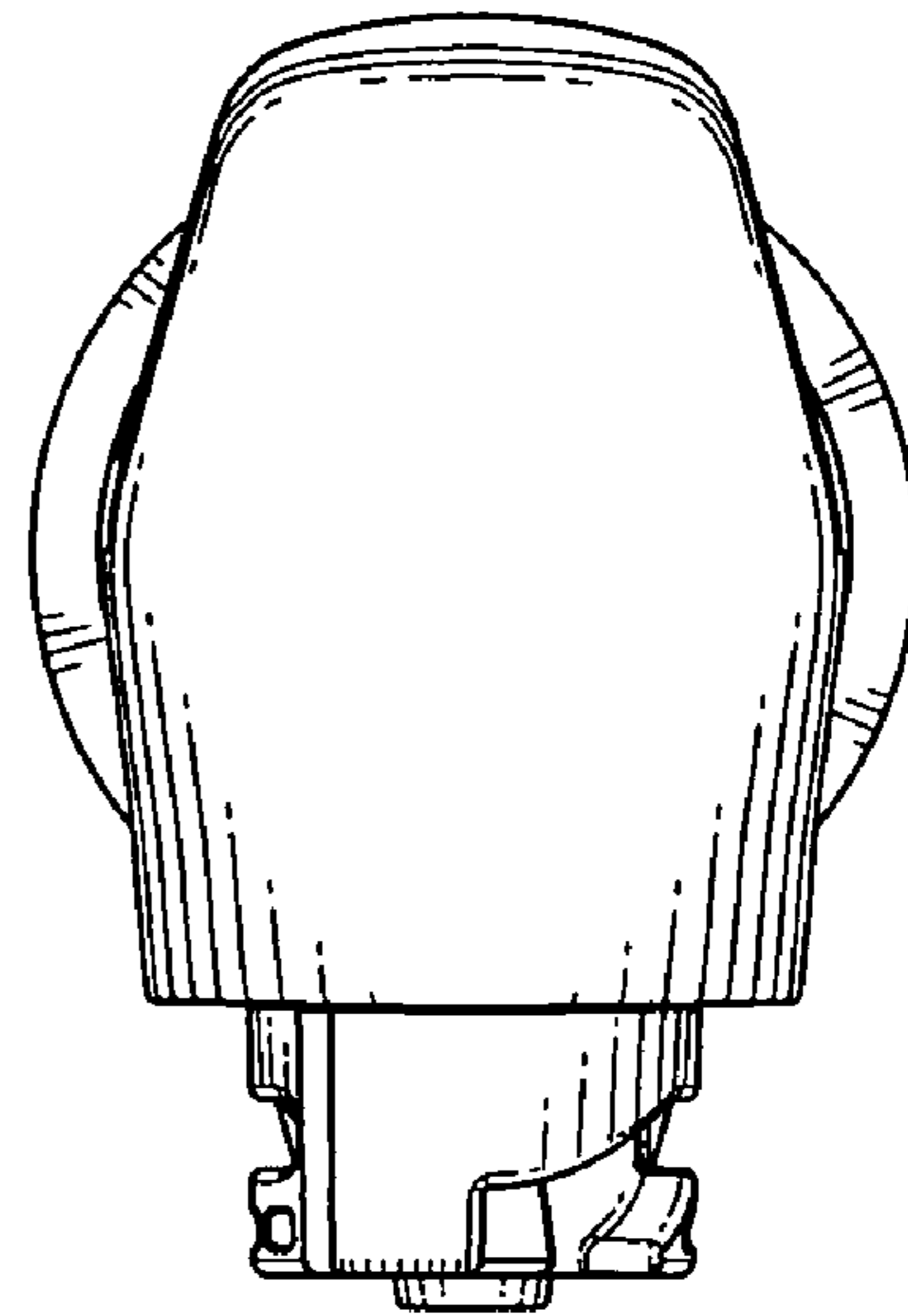


FIG. 7

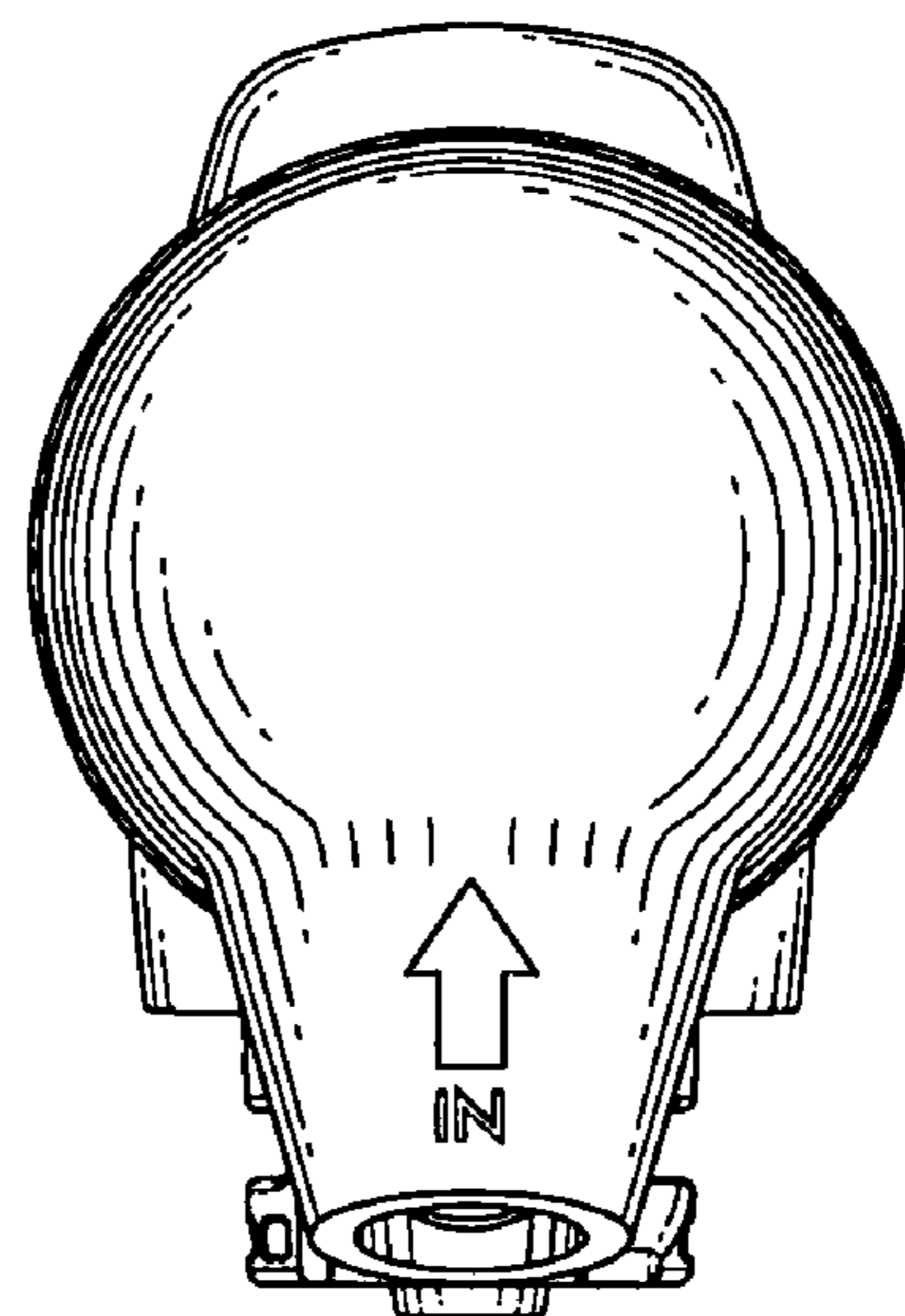


FIG. 2

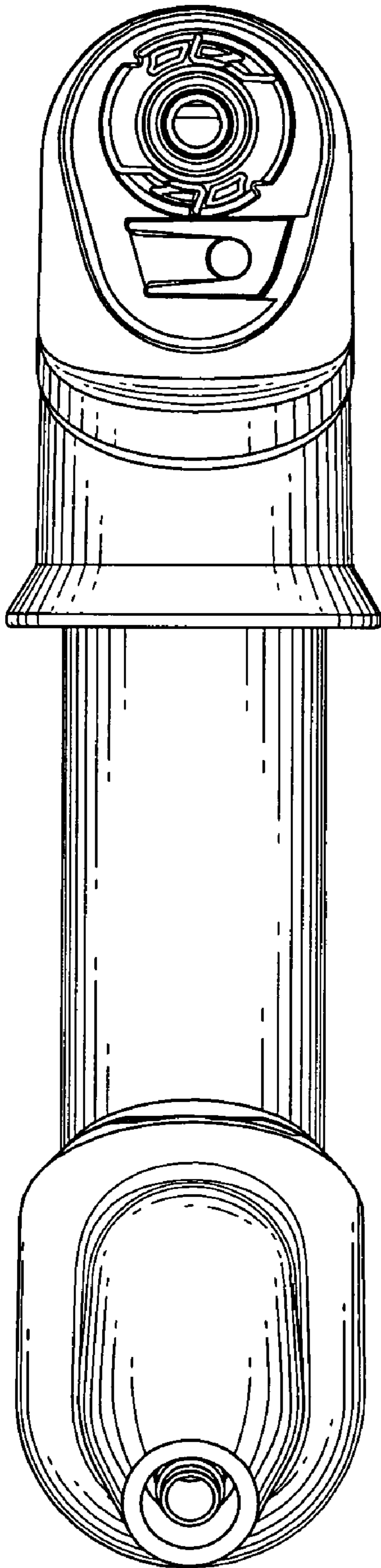


FIG. 3

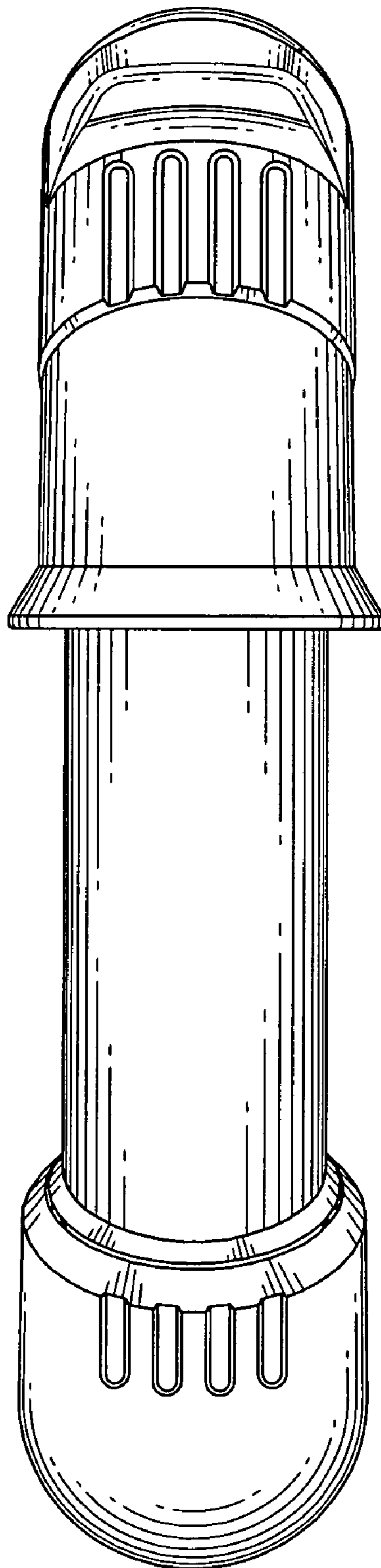


FIG. 4

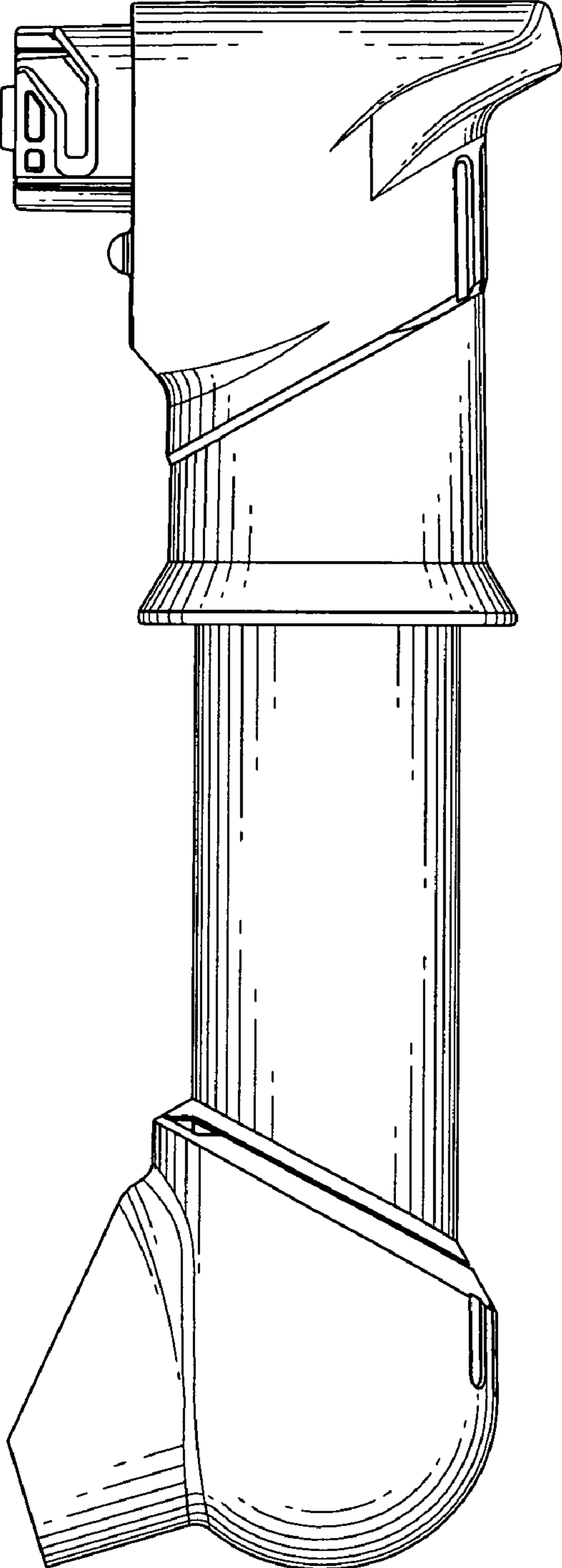


FIG. 5

