



US00D599431S

(12) **United States Design Patent**
Esch

(10) **Patent No.:** **US D599,431 S**

(45) **Date of Patent:** **** Sep. 1, 2009**

(54) **SHOTGUN SLING MOUNT**

(76) Inventor: **Brian Esch**, 23175 224th Pl. SE., Suite A, Maple Valley, WA (US) 98038

(**) Term: **14 Years**

(21) Appl. No.: **29/319,887**

(22) Filed: **Jun. 17, 2008**

(51) **LOC (9) Cl.** **22-01**

(52) **U.S. Cl.** **D22/109**

(58) **Field of Classification Search** D22/100,
D22/108, 109, 110, 199; 42/11, 72, 75.02,
42/71.01, 85, 90, 106, 114, 113, 116, 119,
42/124, 125, 127, 145, 128; 248/201, 205.1

See application file for complete search history.

(56) **References Cited**

U.S. PATENT DOCUMENTS

1,755,034	A *	4/1930	Stange	42/75.03
4,519,156	A *	5/1985	Shaw	42/77
5,173,564	A *	12/1992	Hammond, Jr.	42/75.03
6,374,528	B1 *	4/2002	Davis et al.	42/71.01
6,427,372	B1 *	8/2002	Howard et al.	42/71.01
6,591,533	B2 *	7/2003	Wygant	42/72
6,651,371	B2 *	11/2003	Fitzpatrick et al.	42/72
6,662,485	B2 *	12/2003	Kay	42/75.03
2003/0029070	A1 *	2/2003	Dowding	42/75.03

FOREIGN PATENT DOCUMENTS

WO WO 2005083349 A1 * 9/2005

* cited by examiner

Primary Examiner—T. Chase Nelson

Assistant Examiner—Michael A Pratt

(74) *Attorney, Agent, or Firm*—Seed IP Law Group PLLC

(57) **CLAIM**

The ornamental design for a shotgun sling mount, as shown and described.

DESCRIPTION

FIG. 1 is an isometric projection of a front side view of a shotgun sling mount showing my new design;

FIG. 2 is an isometric projection of a rear side view thereof;

FIG. 3 is an top plan view thereof;

FIG. 4 is an elevational view of a front side thereof;

FIG. 5 is an bottom plan view thereof;

FIG. 6 is an elevational view of a first side thereof;

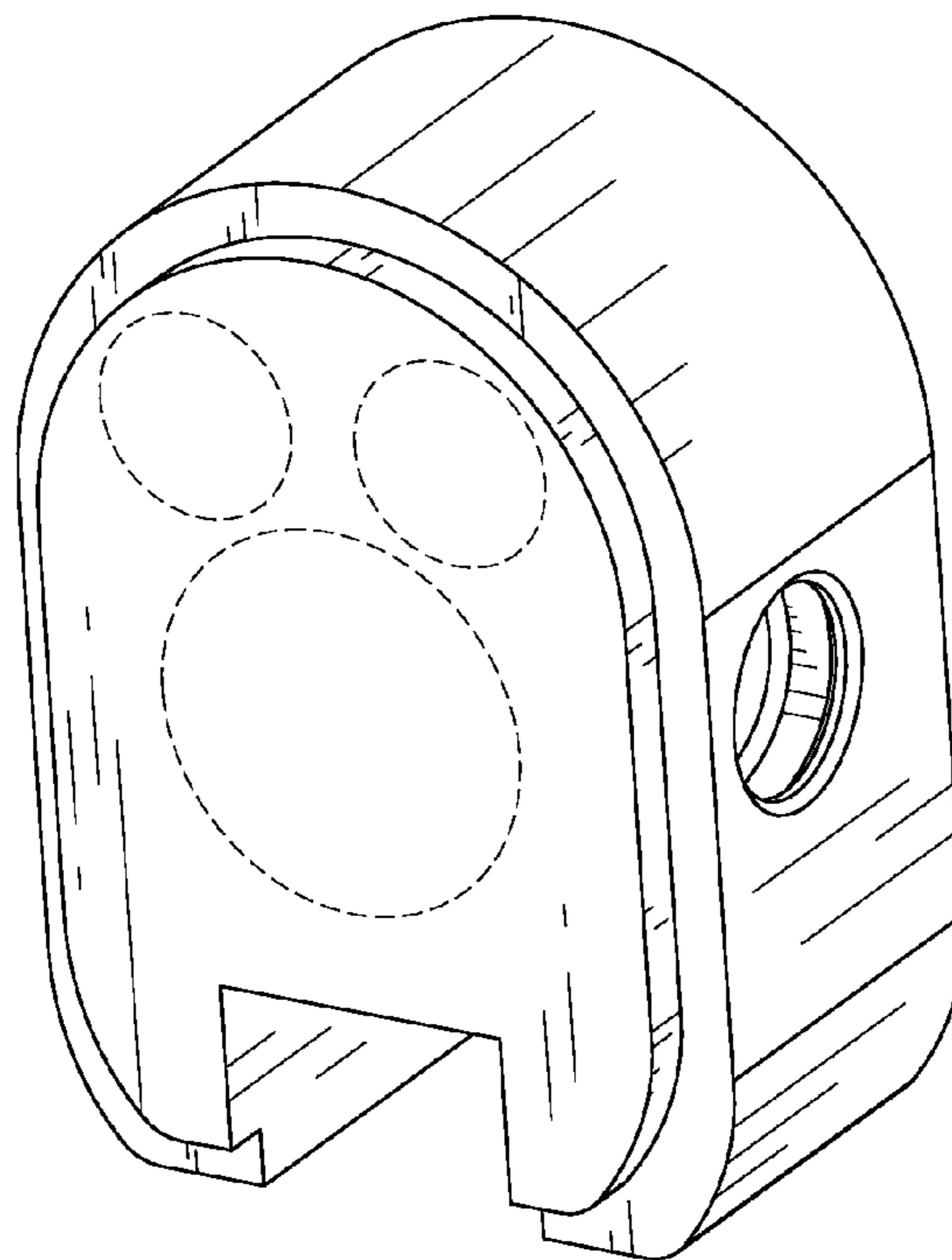
FIG. 7 is an elevation view of a second side thereof; and,

FIG. 8 is an elevational view of a rear side thereof.

The broken lines in the figures are for illustrative purposes only and form no part of the claimed design.

The broken lines showing of environmental structure in FIGS. 1, 2, 4, and 8 are for the purpose of illustrating environment only and forms no part of the claimed design.

1 Claim, 4 Drawing Sheets



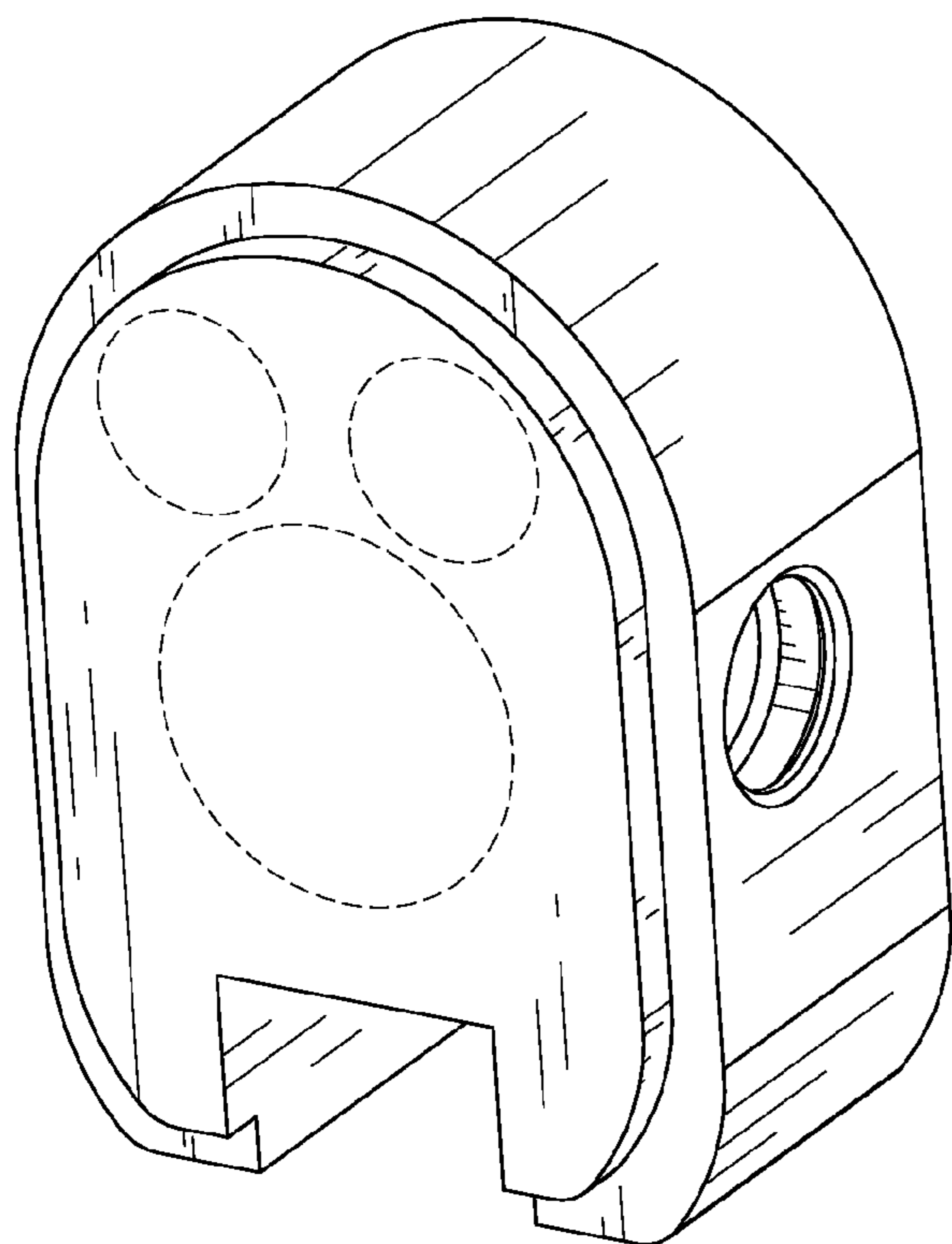


FIG. 1

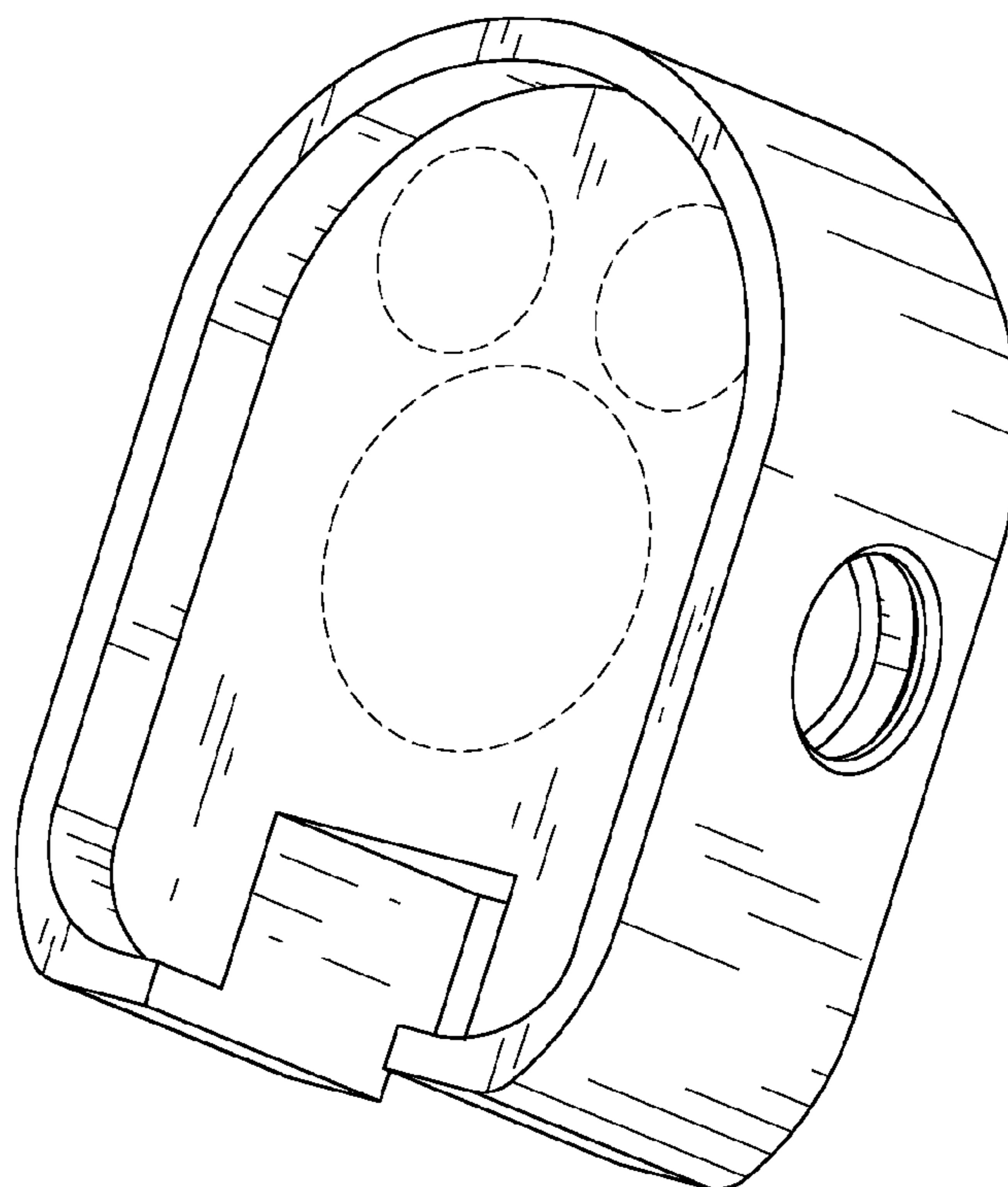


FIG. 2

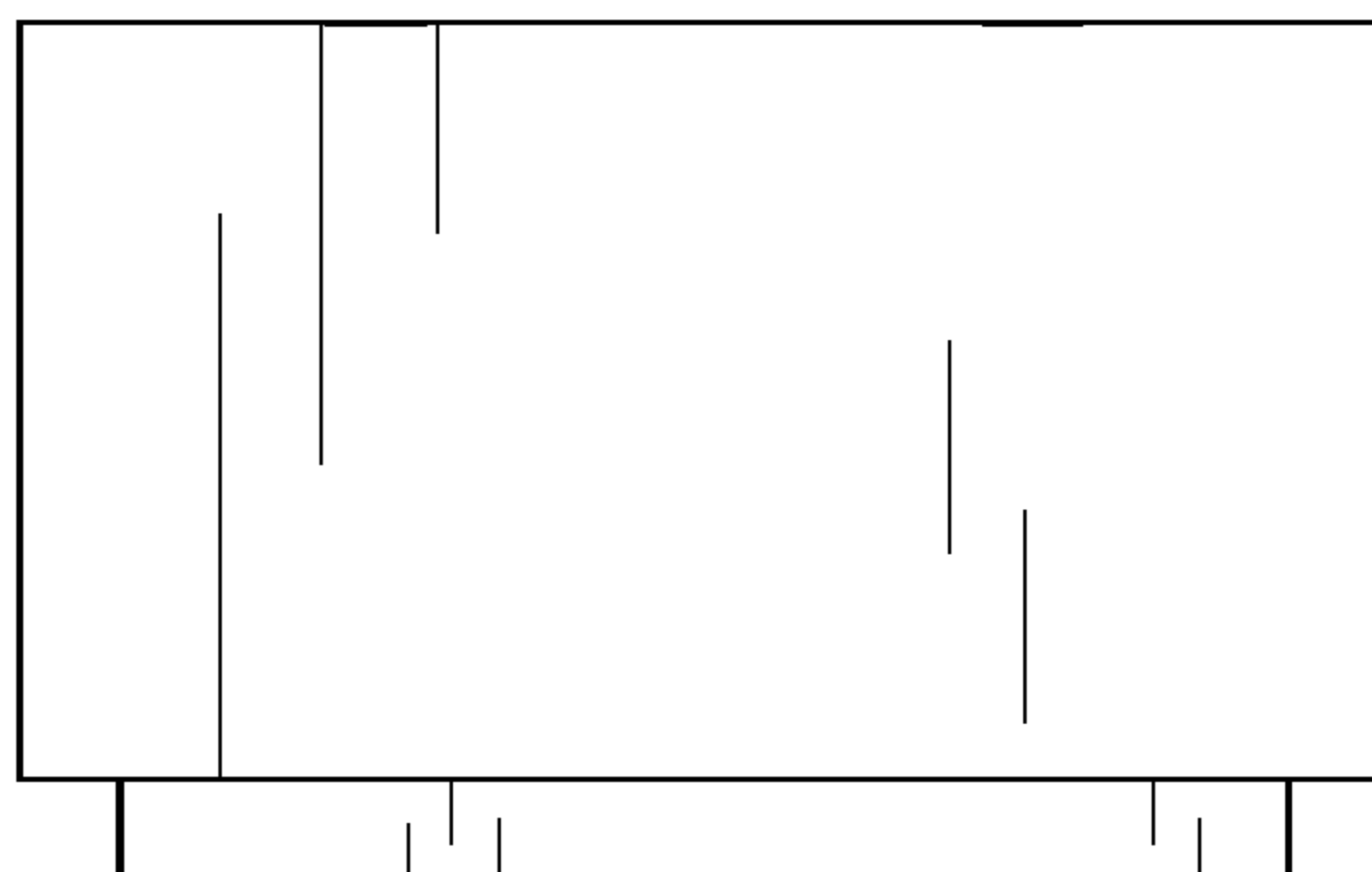


FIG. 3

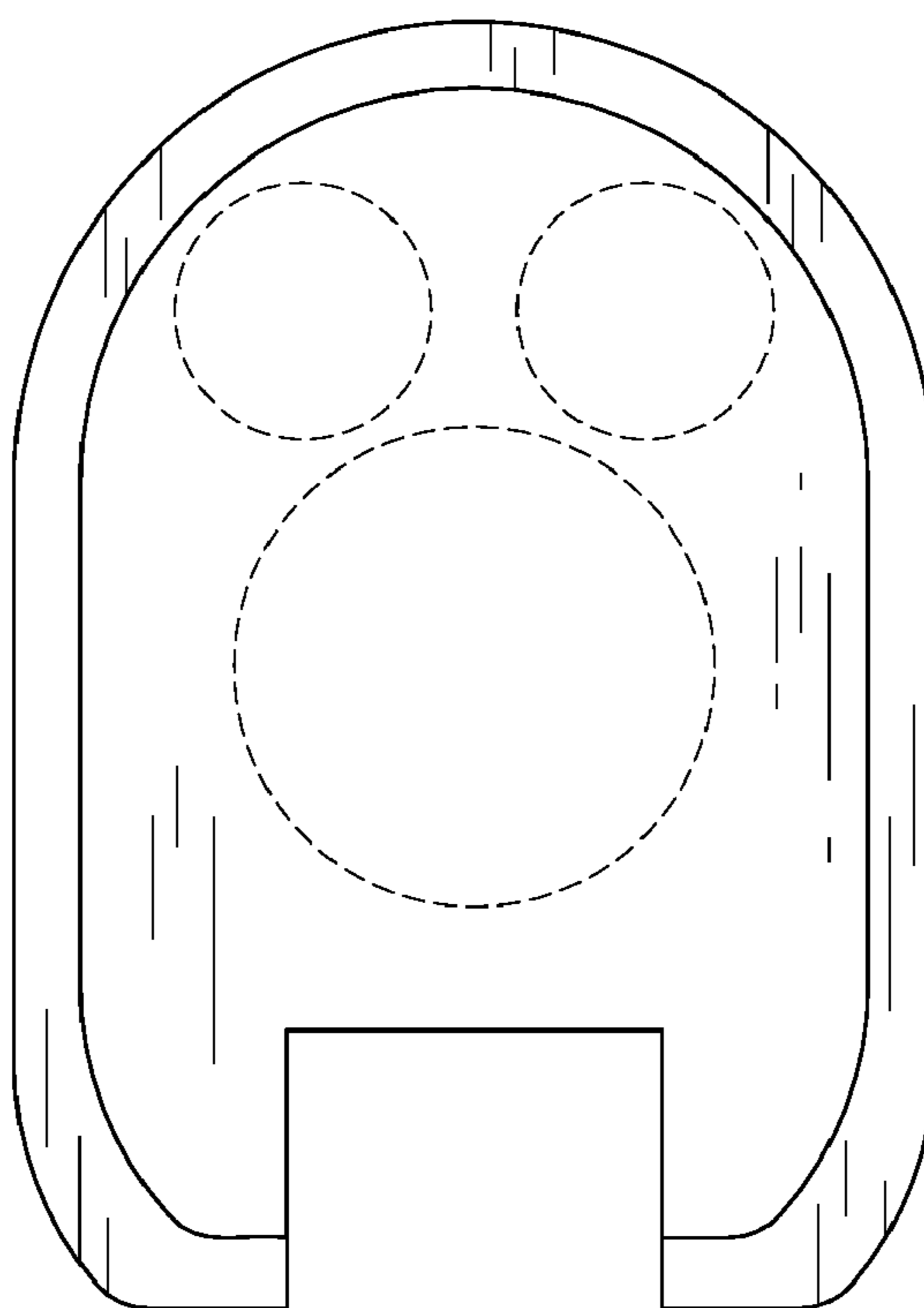


FIG. 4

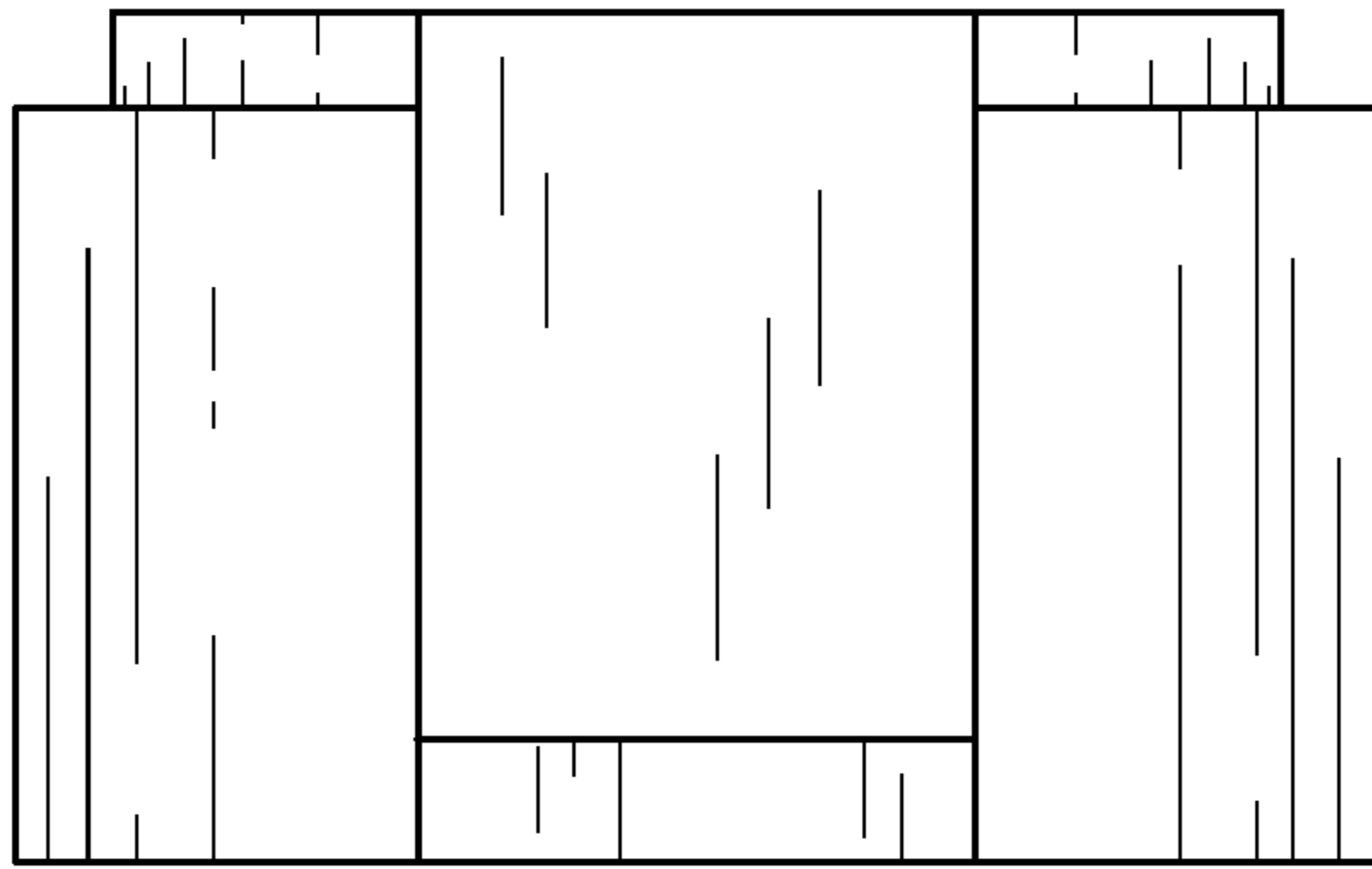


FIG. 5

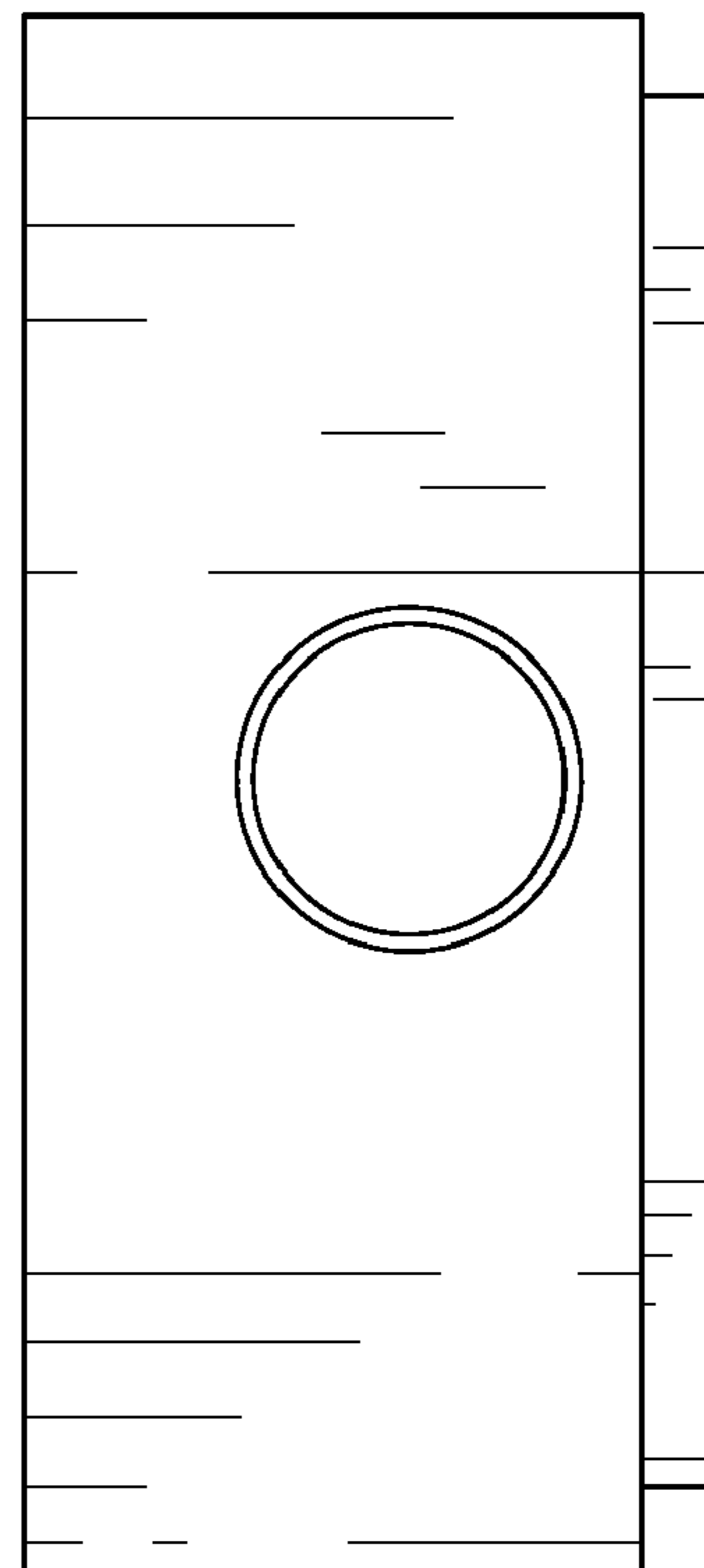


FIG. 6

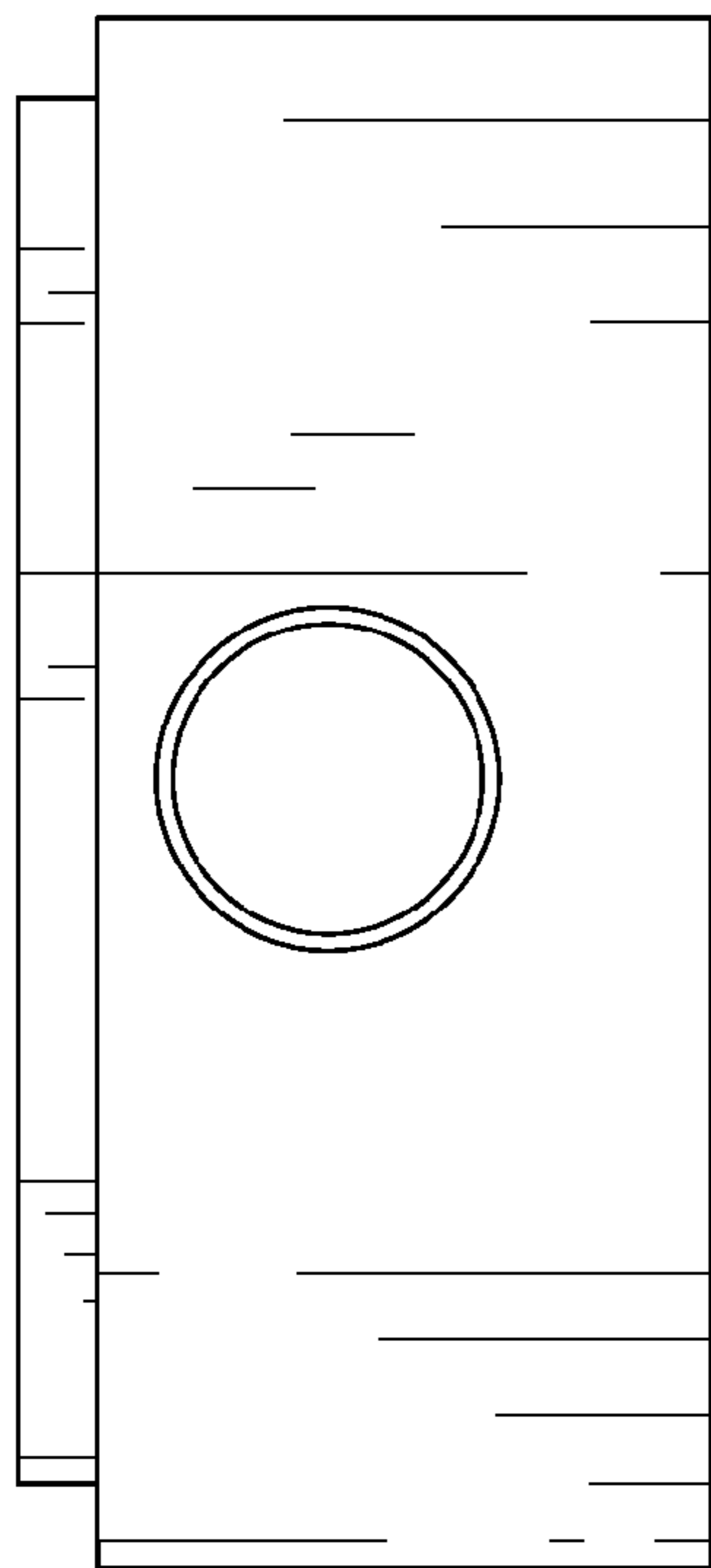


FIG. 7

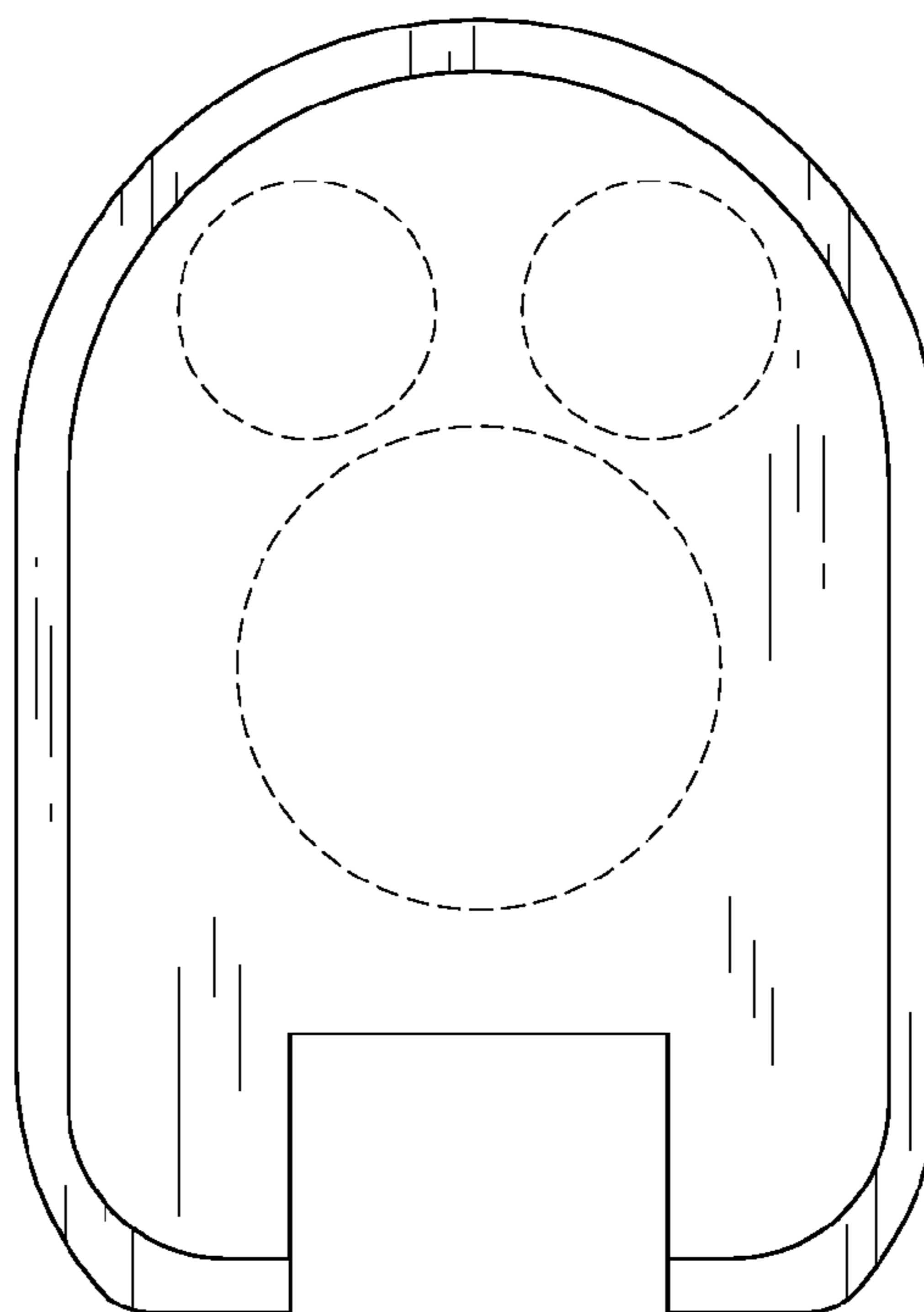


FIG. 8