



US00D599427S

(12) **United States Design Patent**
O’Keefe

(10) **Patent No.:** **US D599,427 S**

(45) **Date of Patent:** **** Sep. 1, 2009**

(54) **LASER GUIDED PUTTING AND SWING AID FOR GOLFERS**

(74) *Attorney, Agent, or Firm*—Quick Patents, Inc.; Kevin Prince

(76) **Inventor:** **Kathryn K. O’Keefe**, 17 Westminster Dr., Palm Coast, FL (US) 32164

(57) **CLAIM**

(**) **Term:** **14 Years**

I claim the ornamental design for a laser guided putting and swing aid for golfers, as shown and described.

(21) **Appl. No.:** **29/326,302**

DESCRIPTION

(22) **Filed:** **Oct. 15, 2008**

FIG. 1 is a perspective view of a laser guided putting and swing aid for golfers, showing my new design;

(51) **LOC (9) Cl.** **21-02**

FIG. 2 is an exploded perspective view of the invention;

(52) **U.S. Cl.** **D21/791**

FIG. 3 is a front elevational view of the invention;

(58) **Field of Classification Search** D21/789,
D21/791; 473/198–200, 219, 220, 257

FIG. 4 is a rear elevational view of the invention;

See application file for complete search history.

FIG. 5 is a top plan view of the invention;

(56) **References Cited**

FIG. 6 is a bottom plan view of the invention;

U.S. PATENT DOCUMENTS

FIG. 7 is a left-side elevational view of the invention, the right-side elevational view being a mirror image thereof; and,

| | | | | |
|--------------|---------|----------------|-------|---------|
| D448,059 S * | 9/2001 | Battaglia | | D21/791 |
| D449,361 S * | 10/2001 | Brust et al. | | D21/789 |
| D493,502 S * | 7/2004 | Shioda | | D21/789 |
| D494,651 S * | 8/2004 | Schmidt et al. | | D21/789 |
| D538,872 S * | 3/2007 | Machado | | D21/789 |
| D567,892 S * | 4/2008 | Wagen et al. | | D21/791 |

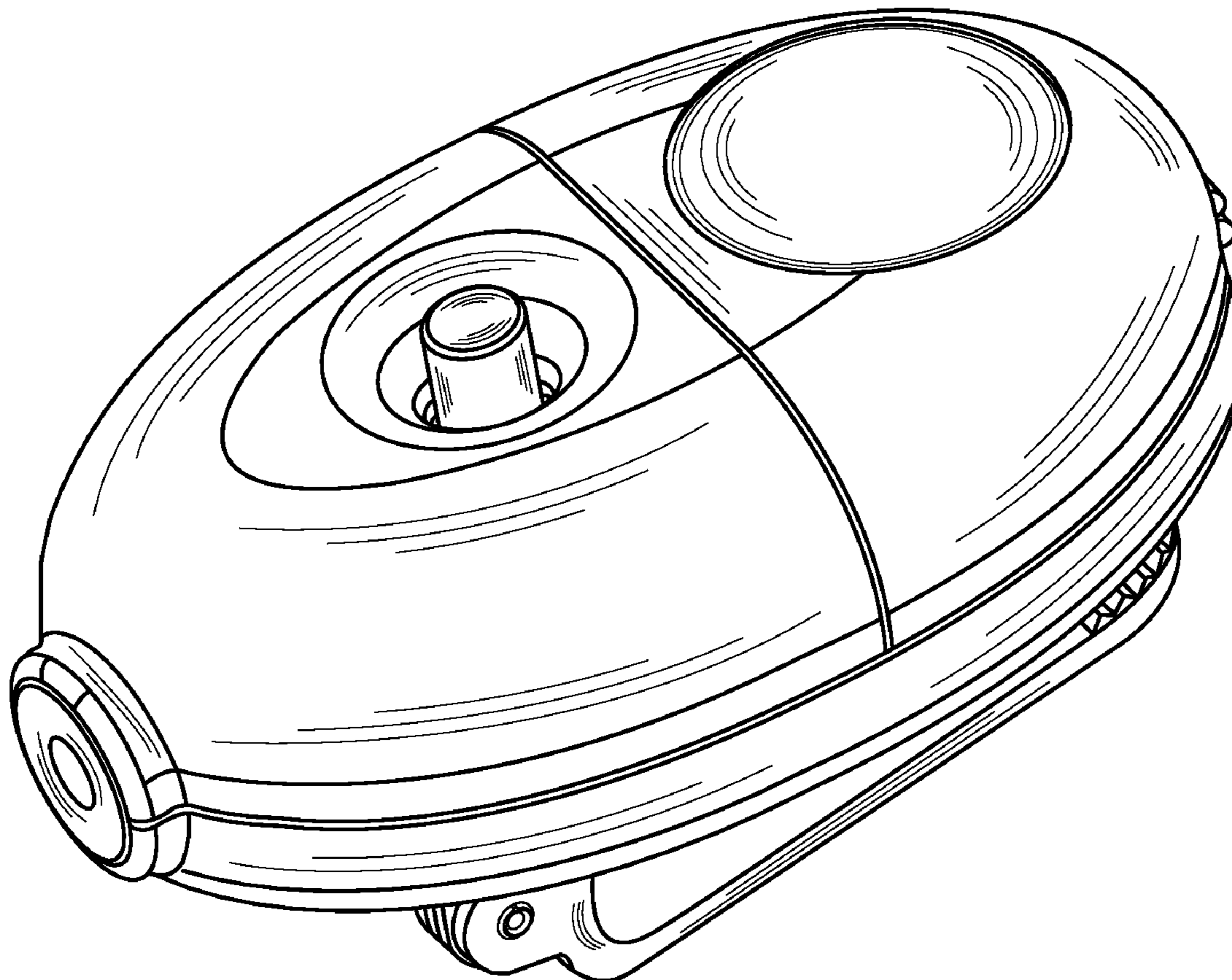
FIG. 8 is a left-side elevational view of the invention, illustrating a clip of the invention in a downwardly-pivoted orientation.

* cited by examiner

The broken lines showing a laser beam pattern in FIG. 7 are included for the purpose of illustrating the invention in use, and forms no part of the claimed design.

Primary Examiner—Mitchell I Siegel

1 Claim, 4 Drawing Sheets



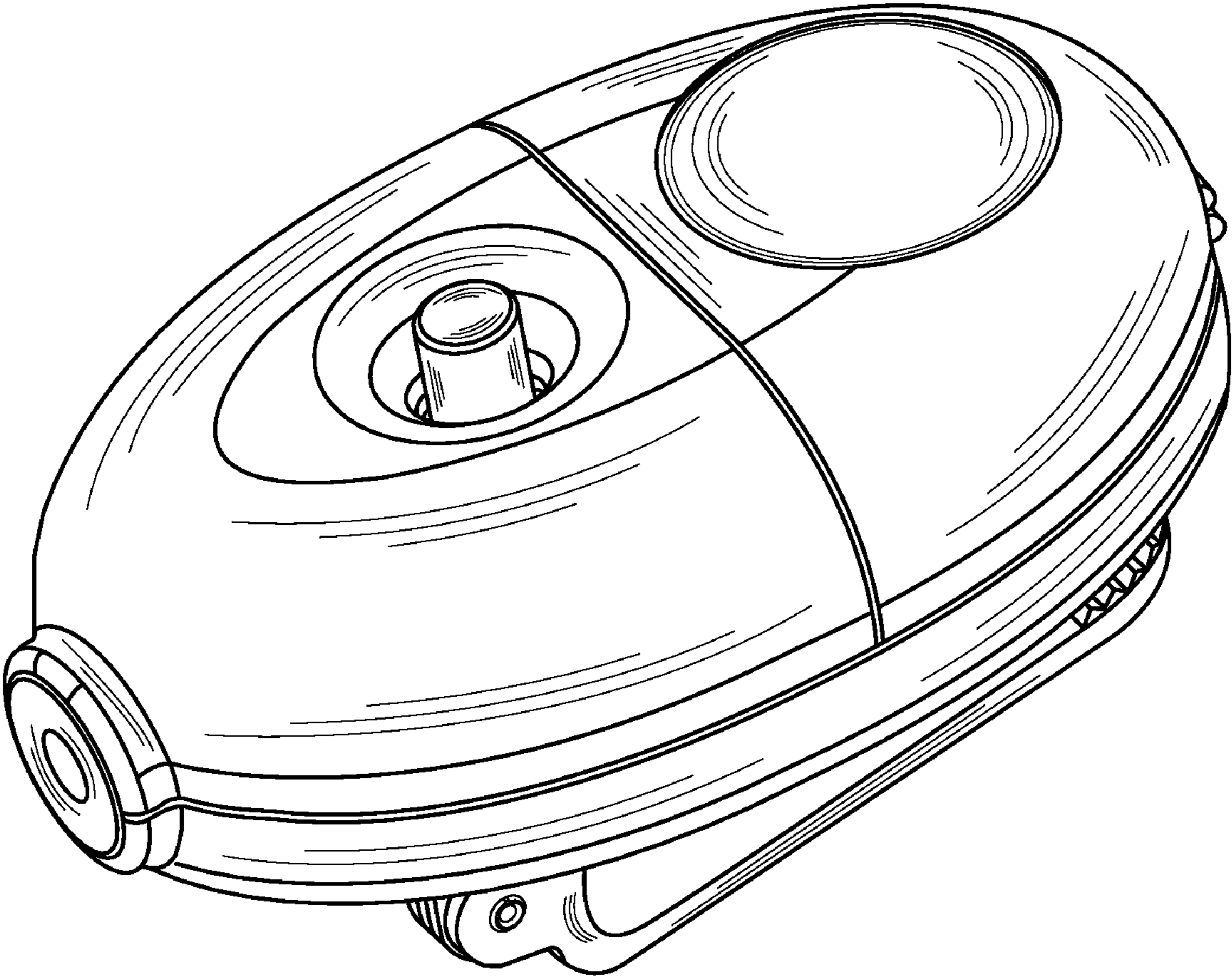


FIG. 1

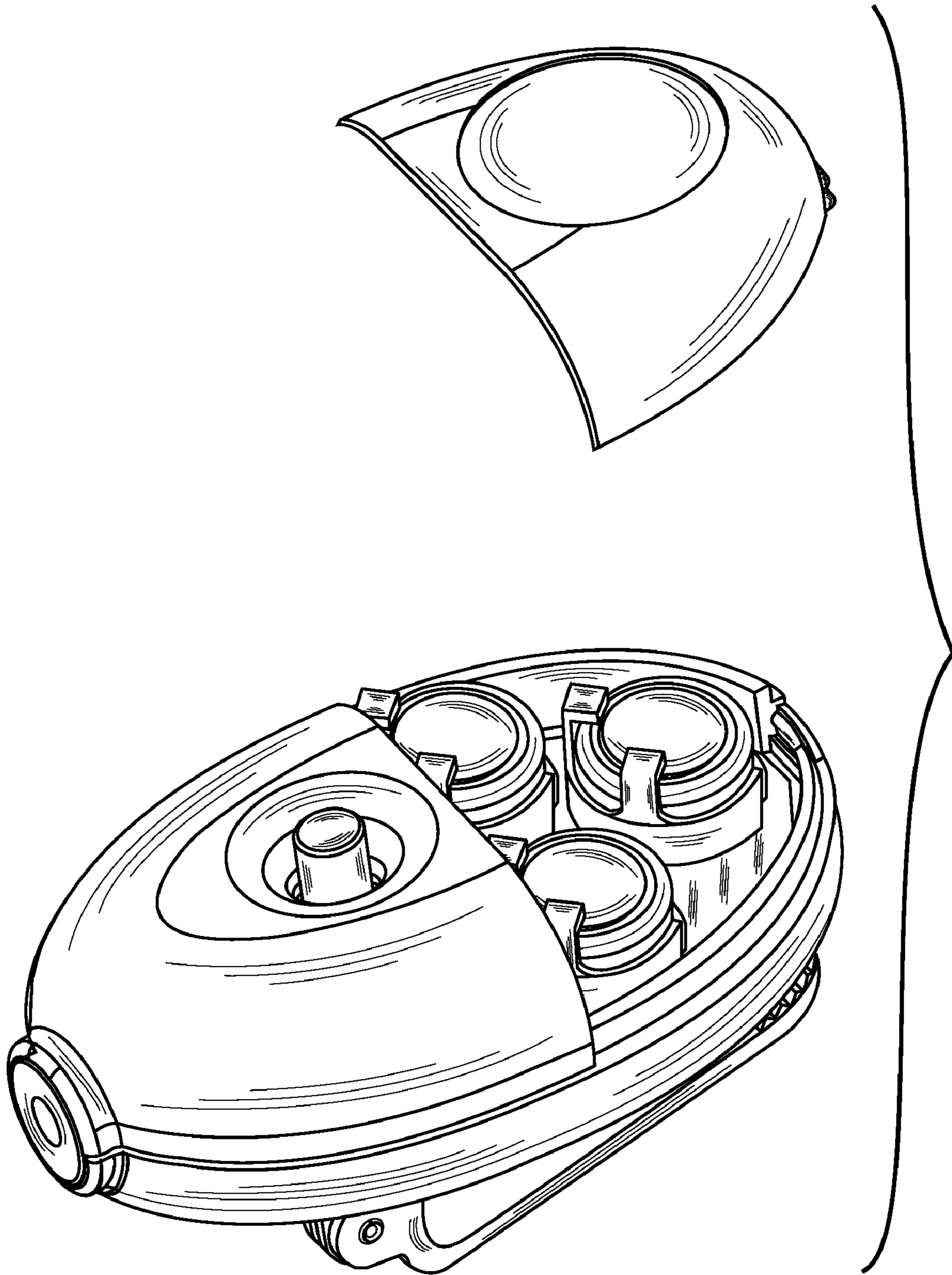


FIG. 2

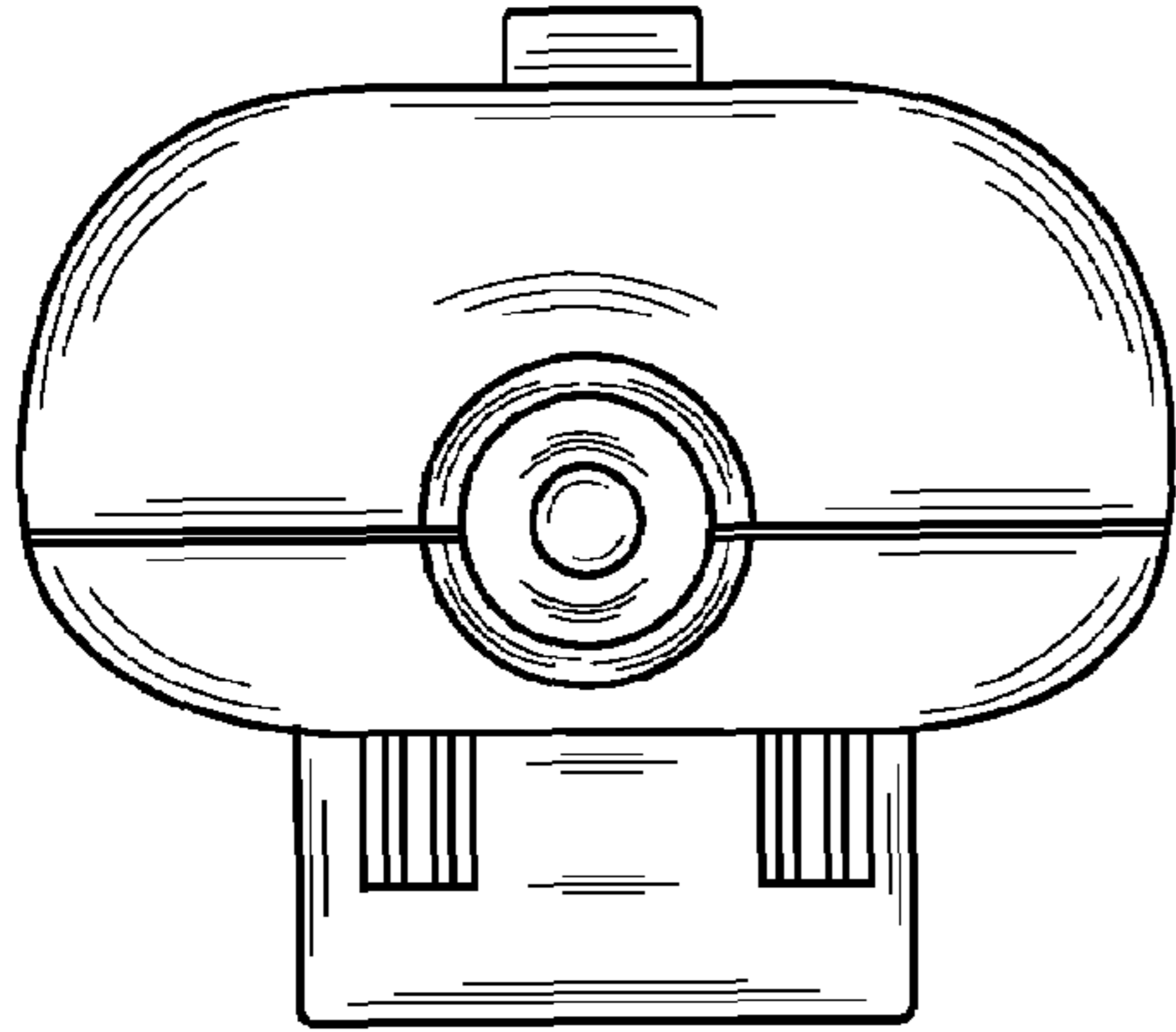


FIG. 3

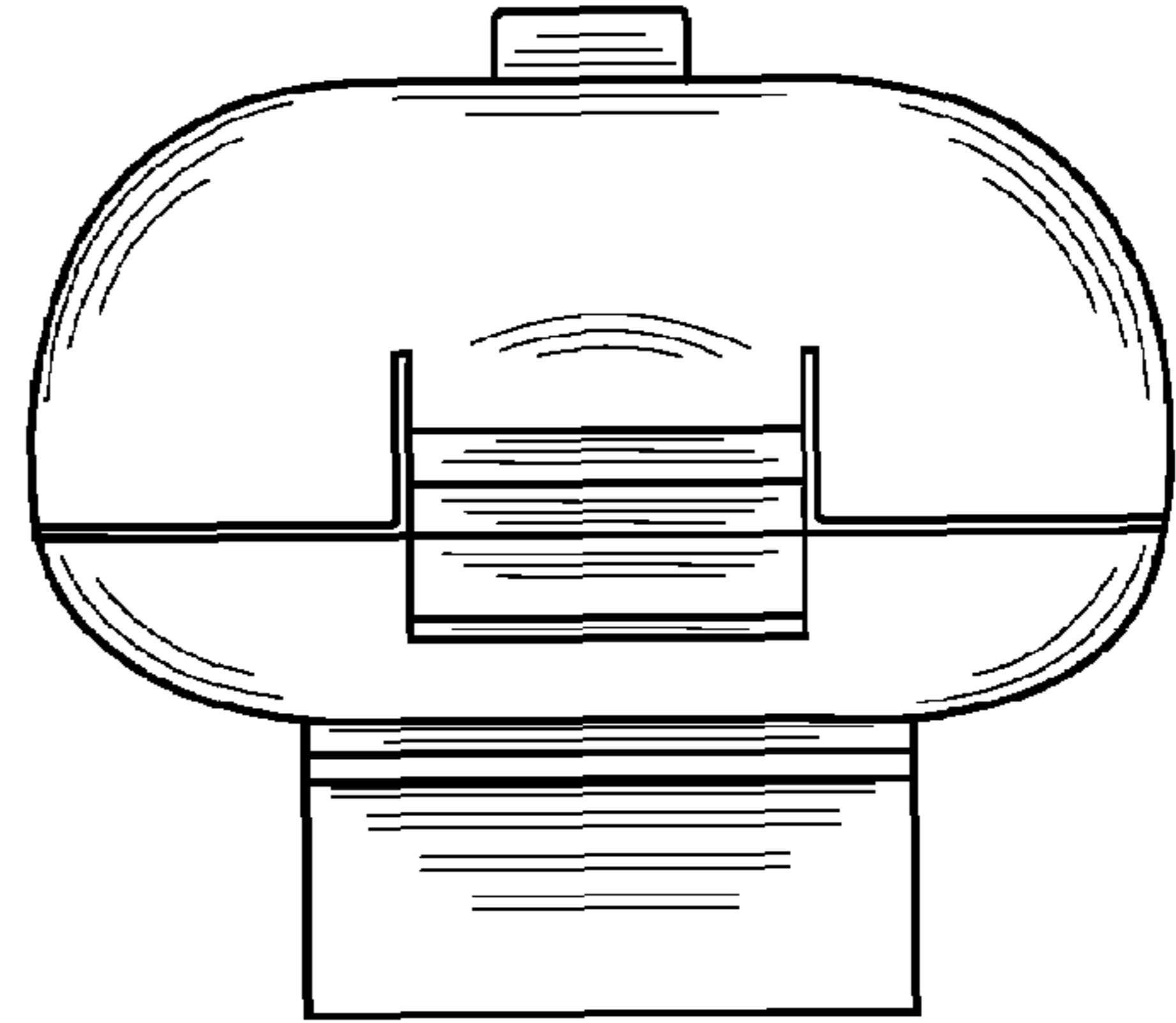


FIG. 4

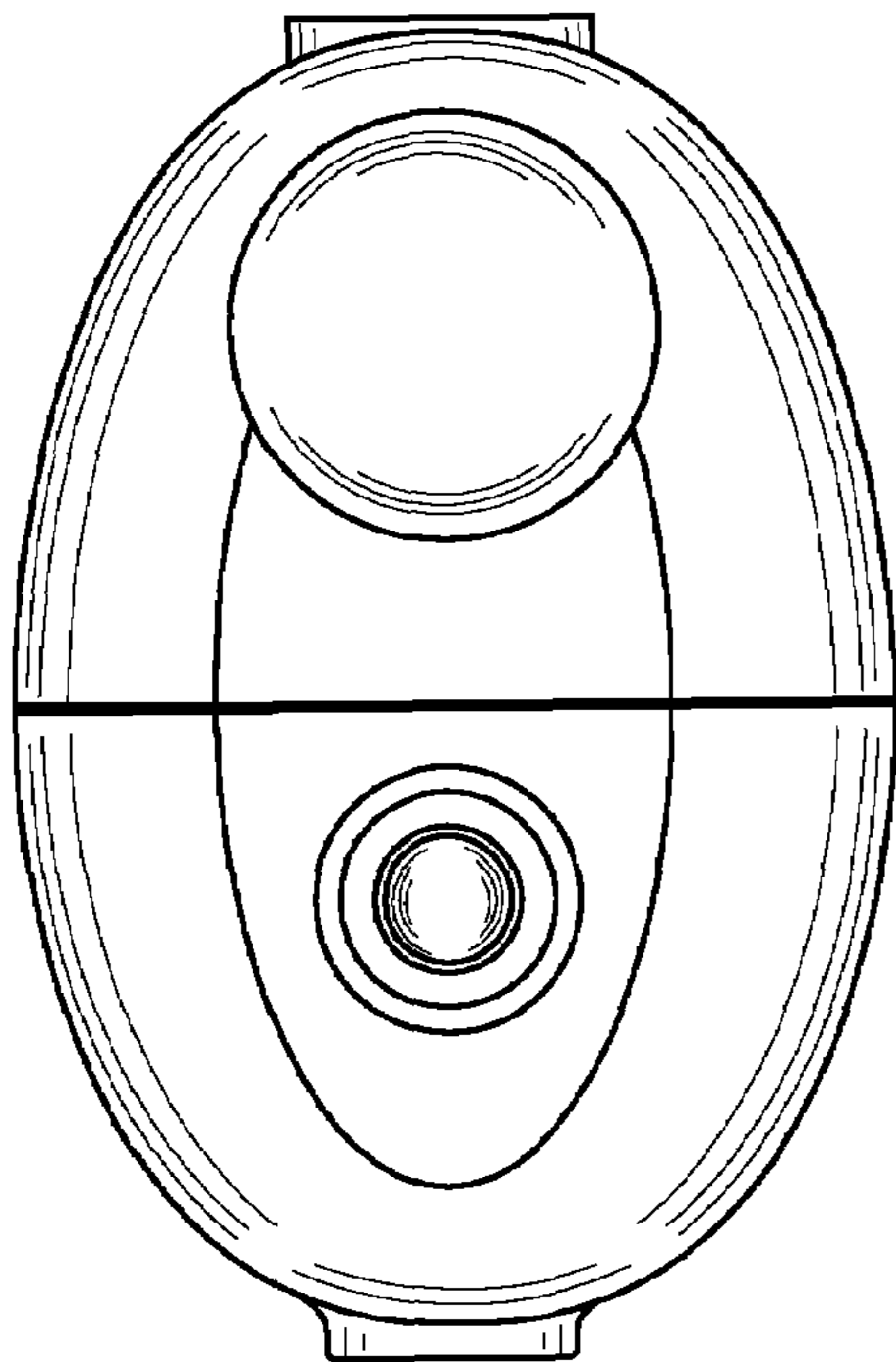


FIG. 5

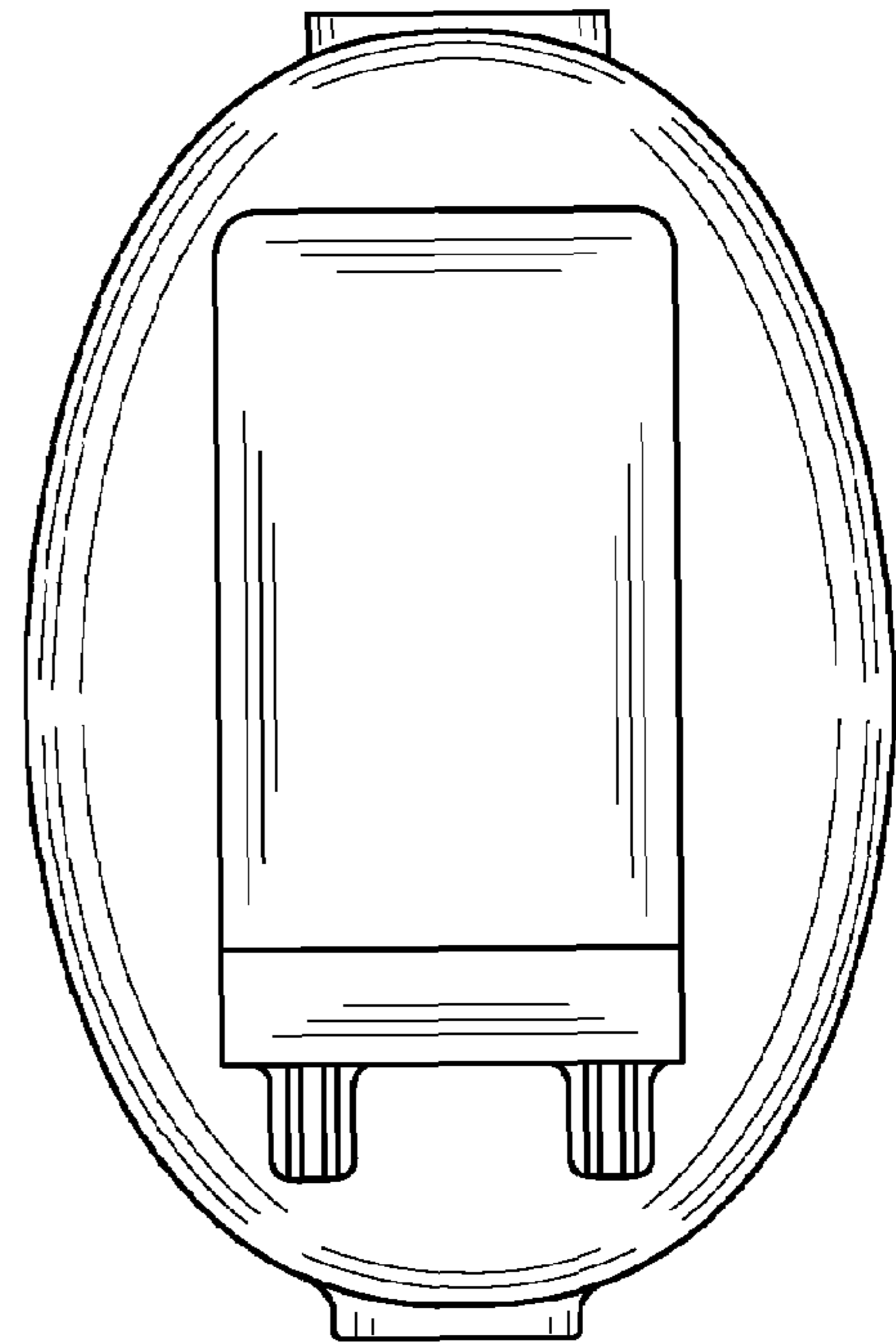


FIG. 6

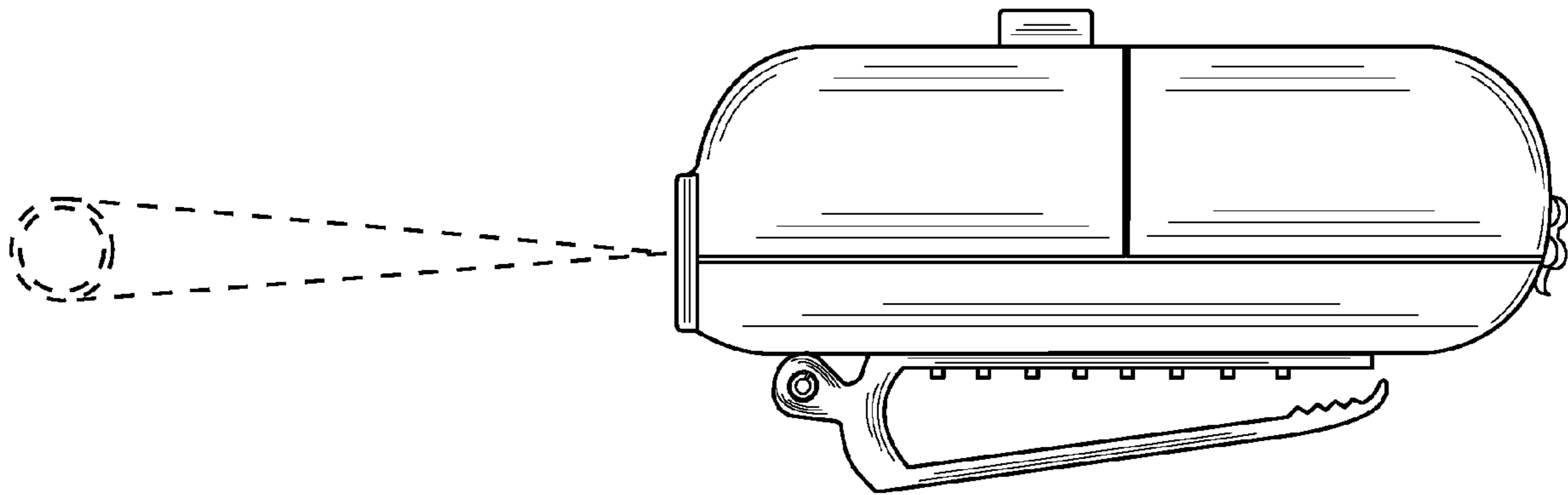


FIG. 7

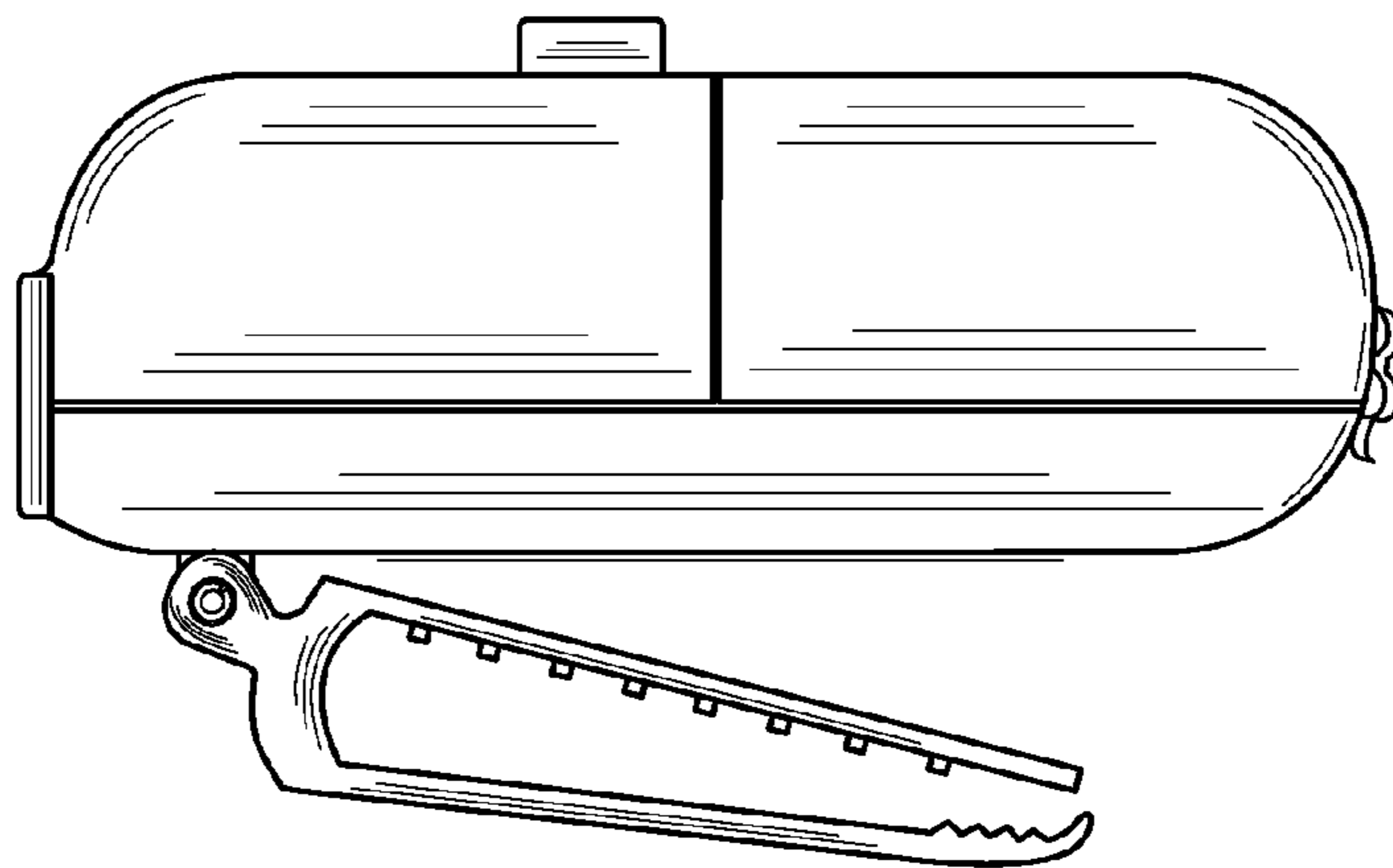


FIG. 8