



US00D599426S

(12) **United States Design Patent**  
**Blair et al.**

(10) **Patent No.:** **US D599,426 S**

(45) **Date of Patent:** **\*\* Sep. 1, 2009**

(54) **BILLIARD TABLE**

2,174,613 A 10/1939 Blaschke  
D145,787 S 10/1946 Collender  
D192,086 S \* 1/1962 Reineman et al. .... D21/784

(75) Inventors: **Jesse Nicholas Stanford Blair**,  
Whitefish Bay, WI (US); **Adam W.**  
**Callif**, Chicago, IL (US); **Joseph M.**  
**MacCarthy**, Oakland, CA (US); **John**  
**Zebley**, Saratoga Springs, UT (US)

(Continued)

**OTHER PUBLICATIONS**

“Gold Crown,” Brunswick Billiards, Inc., 1 page, 2004.

(Continued)

(73) Assignee: **Brunswick Bowling & Billiards**  
**Corporation**, Lake Forest, IL (US)

*Primary Examiner*—Prabhakar Deshmukh

(74) *Attorney, Agent, or Firm*—Brinks Hofer Gilson & Lione

(\*\*) **Term:** **14 Years**

(57) **CLAIM**

(21) Appl. No.: **29/292,165**

The ornamental design for a billiard table, as shown and described.

(22) Filed: **Sep. 26, 2007**

(51) **LOC (9) Cl.** ..... **06-03**

**DESCRIPTION**

(52) **U.S. Cl.** ..... **D21/784**

FIG. 1 is a perspective view of a billiard table showing our new design.

(58) **Field of Classification Search** ..... D21/782–784;

D6/329, 360, 491–496, 422, 423, 428; 473/1,  
473/4, 6, 7, 8, 9, 17, 19, 28, 31, 33; 273/236;  
248/127, 158, 161, 188, 188.1, 188.8, 346.01,  
248/346.02

FIG. 2 is a top plan view thereof;

FIG. 3 is a bottom plan view thereof;

FIG. 4 is a side elevational view thereof;

FIG. 5 is a front elevational view thereof;

See application file for complete search history.

FIG. 6 is a perspective view of a second embodiment of a billiard table;

FIG. 7 is a bottom plan view thereof;

FIG. 8 is a top plan view thereof;

FIG. 9 is a side elevational view thereof; and,

FIG. 10 is a front elevational view thereof.

The broken lines, which define the bounds of the claimed design, form no part thereof.

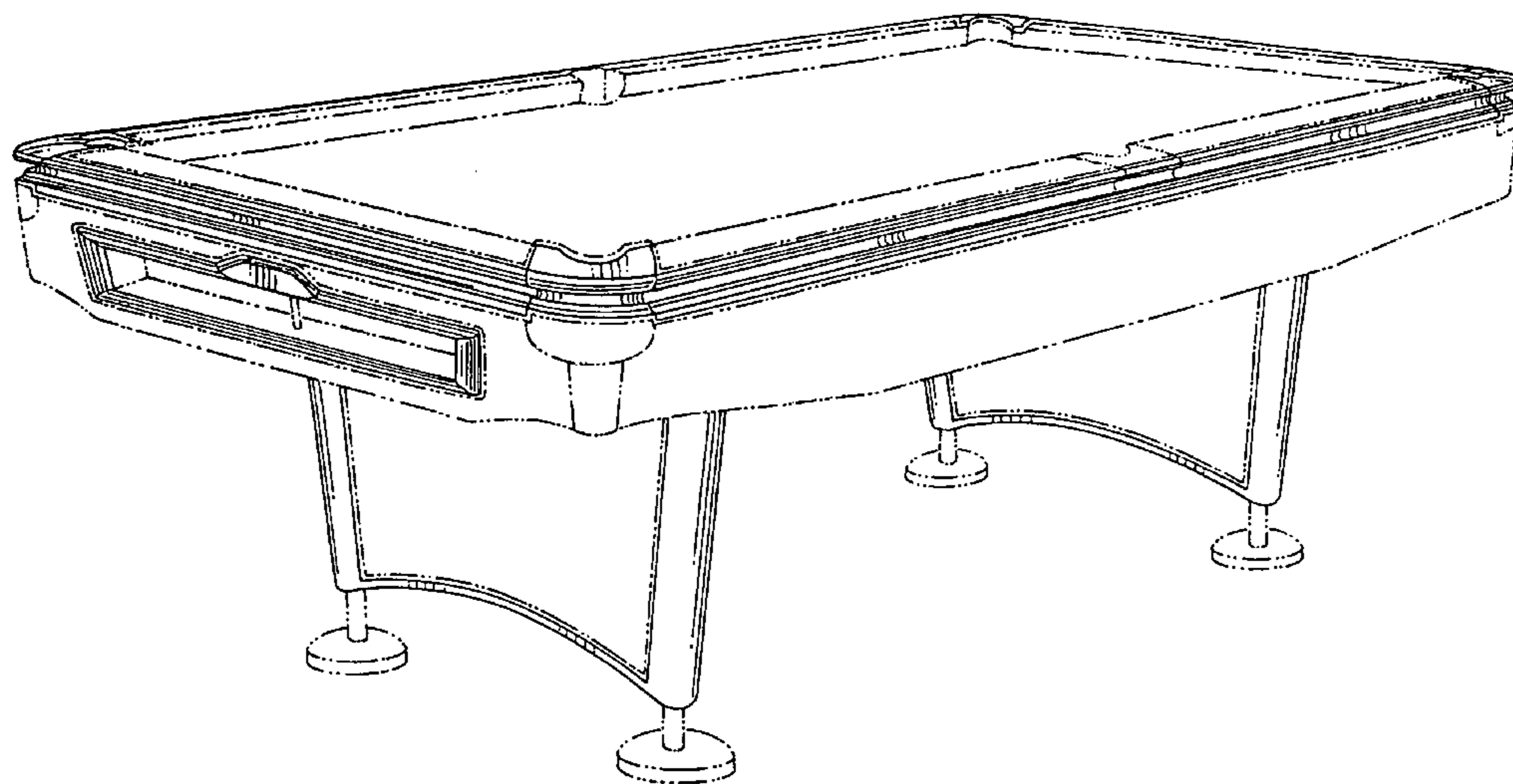
The broken lines environmental are for illustrative purposes only and form no part of the claimed design.

(56) **References Cited**

**U.S. PATENT DOCUMENTS**

D5,322 S	10/1871	Griffith
D6,469 S	3/1873	Collender
156,389 A	10/1874	Stiles
373,016 A	11/1887	Daugherty
572,688 A	12/1896	Seifert
1,509,144 A	9/1924	Harmet
1,535,926 A	4/1925	Leone
1,547,996 A	7/1925	Drost et al.
1,568,154 A	1/1926	Hannon et al.
D85,561 S	11/1931	Toce
D85,572 S	11/1931	Burnstine
2,008,613 A	7/1935	Hernes

**1 Claim, 8 Drawing Sheets**



# US D599,426 S

Page 2

## U.S. PATENT DOCUMENTS

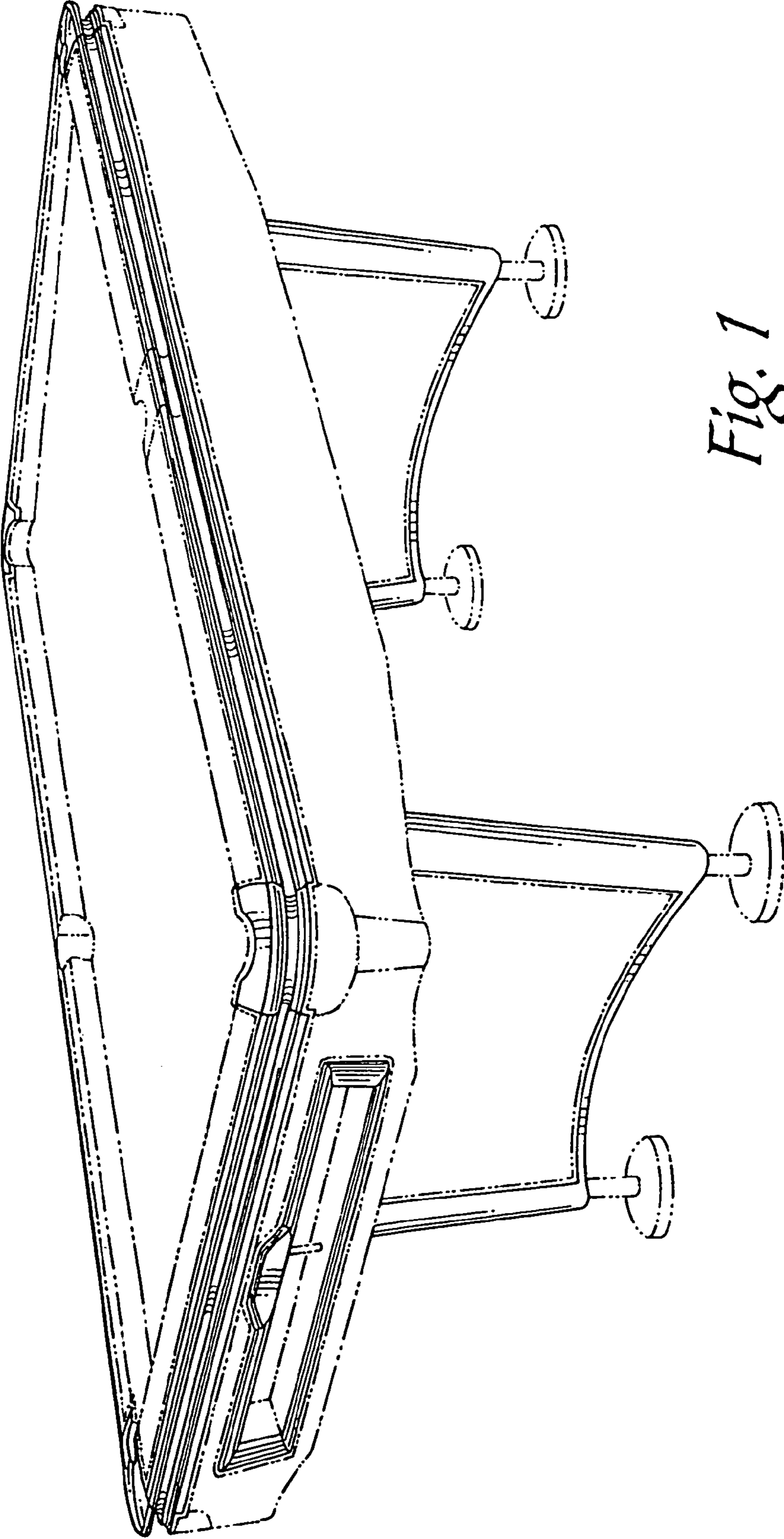
D208,257 S \* 8/1967 Kotler ..... D21/784  
D215,220 S 9/1969 Eide  
3,881,727 A 5/1975 Olson  
4,010,949 A 3/1977 Lee  
D257,469 S 10/1980 Moore  
D257,684 S 12/1980 Moore  
4,474,374 A 10/1984 Lewis et al.  
4,909,507 A 3/1990 McKnown  
D332,293 S 1/1993 Powers  
D348,298 S \* 6/1994 Fitzhugh ..... D21/784  
D348,916 S 7/1994 Powers  
D349,742 S 8/1994 Tyne  
5,451,187 A 9/1995 Brinkley  
D408,487 S 4/1999 McCormick et al.  
D408,488 S 4/1999 McCormick et al.  
D418,185 S 12/1999 McCormick et al.  
6,102,808 A \* 8/2000 Wong ..... 473/12  
6,149,530 A \* 11/2000 Shih ..... 473/22  
D443,012 S 5/2001 Baker  
D443,325 S 6/2001 Baker  
D473,278 S 4/2003 McCormick et al.  
D489,784 S 5/2004 Foley  
D491,245 S 6/2004 Newhouse  
D494,241 S 8/2004 Moore, Sr.  
D494,242 S 8/2004 McCormick  
D495,766 S 9/2004 Moore, Sr.  
D500,543 S 1/2005 Stein  
6,866,590 B2 3/2005 Tucker  
D505,173 S 5/2005 Foley  
D507,322 S 7/2005 Hobbs et al.  
D510,824 S 10/2005 Moore, Sr.

2002/0074299 A1 6/2002 Zummo  
2003/0134683 A1\* 7/2003 Shih ..... 473/33  
2004/0029644 A1\* 2/2004 Shih ..... 473/15  
2004/0224780 A1\* 11/2004 Nagle ..... 473/2  
2005/0221902 A1\* 10/2005 Chen ..... 473/4

## OTHER PUBLICATIONS

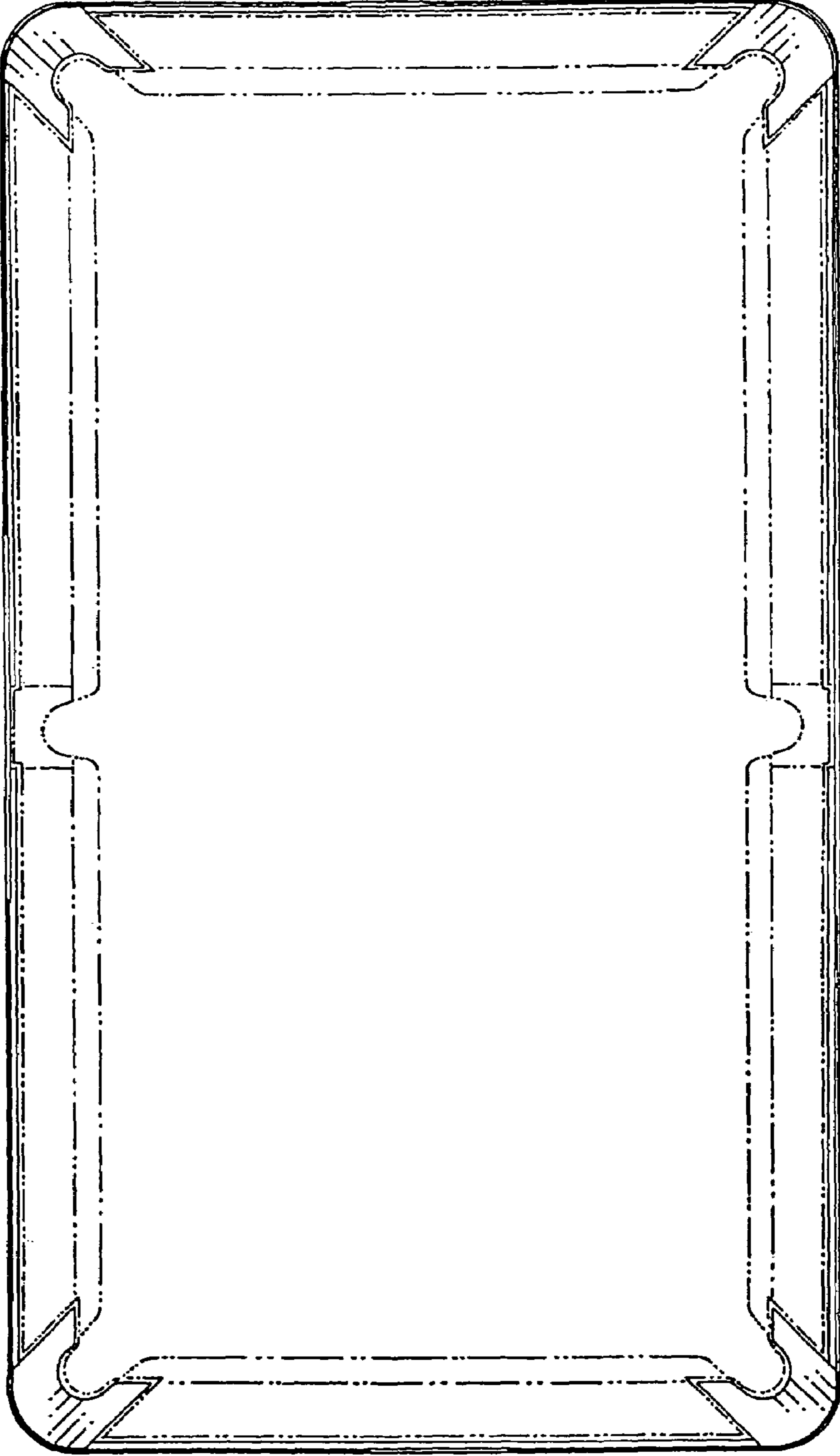
“Gold Crown IV Features,” Brunswick Billiards, Inc., [http://www.brunswickbilliards.com/brunswick\\_collection/tables/competition/gold\\_crown\\_iv\\_features.html](http://www.brunswickbilliards.com/brunswick_collection/tables/competition/gold_crown_iv_features.html), 1 page, 2007.  
“Gold Crown IV,” Brunswick Billiards, Inc., [http://www.brunswickbilliards.com/brunswick\\_collection/tables/competition/gold\\_crown\\_iv.html](http://www.brunswickbilliards.com/brunswick_collection/tables/competition/gold_crown_iv.html), 1 page, 2007.  
“Gold Crown IV,” Brunswick Billiards, Inc., [http://www.brunswickbilliards.com/brunswick\\_collection/tables/competition/gold\\_crown\\_iv\\_room.html](http://www.brunswickbilliards.com/brunswick_collection/tables/competition/gold_crown_iv_room.html), 1 page, 2007.  
“Manchester II, Camden II, Pocket Billiard Table Installation Manual,” Brunswick Billiards, Inc., 11 page, 2000.  
Notice of Allowance for U.S. Appl. No. 29/292,168, 7 pages, Feb. 17, 2009.  
Office Action directed against U.S. Appl. No. 29/292,166, 6 pages, Feb. 12, 2009.  
Office Action directed against U.S. Appl. No. 29/292,167, 7 pages, Feb. 13, 2009.  
Office Action directed against U.S. Appl. No. 29/292,164, 9 pages, Feb. 13, 2009.  
Notice of Allowance for U.S. Appl. No. 29/292,169, 6 pages, Feb. 17, 2009.  
Office Action directed against U.S. Appl. No. 29/292,169, 6 pages, Apr. 20, 2009.

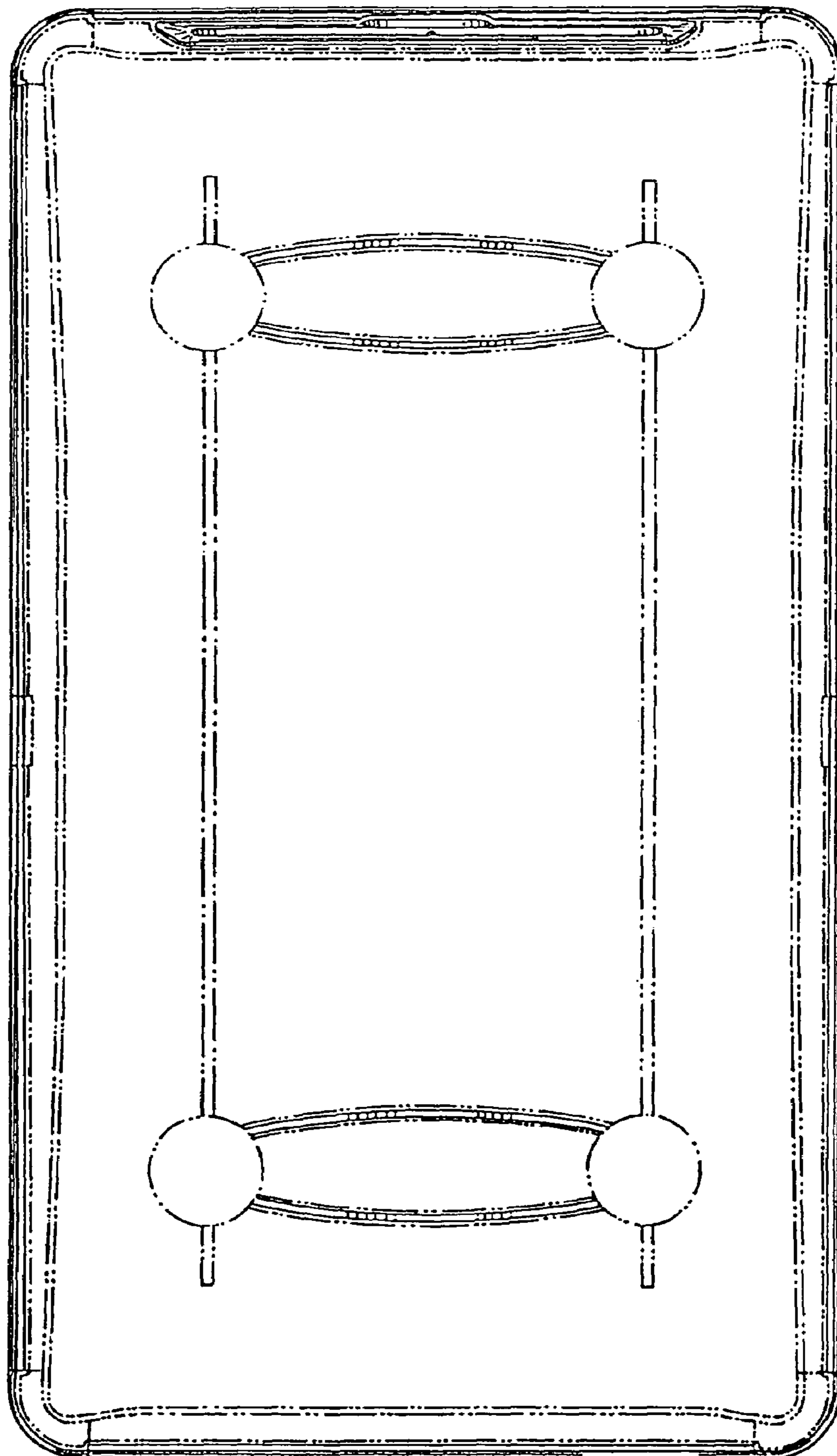
\* cited by examiner



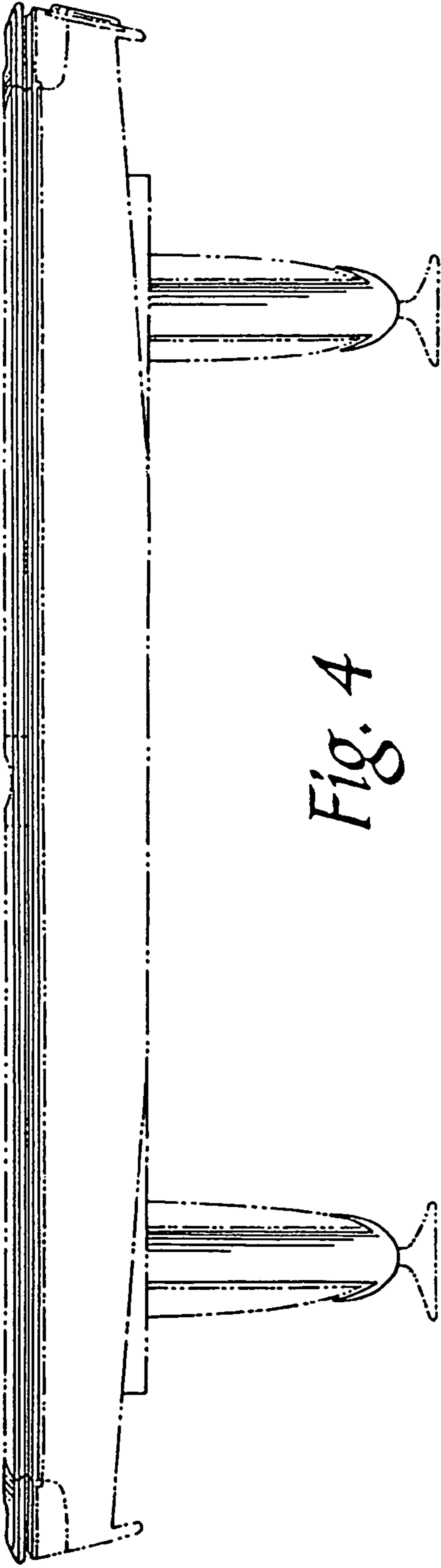
*Fig. 1*

Fig. 2

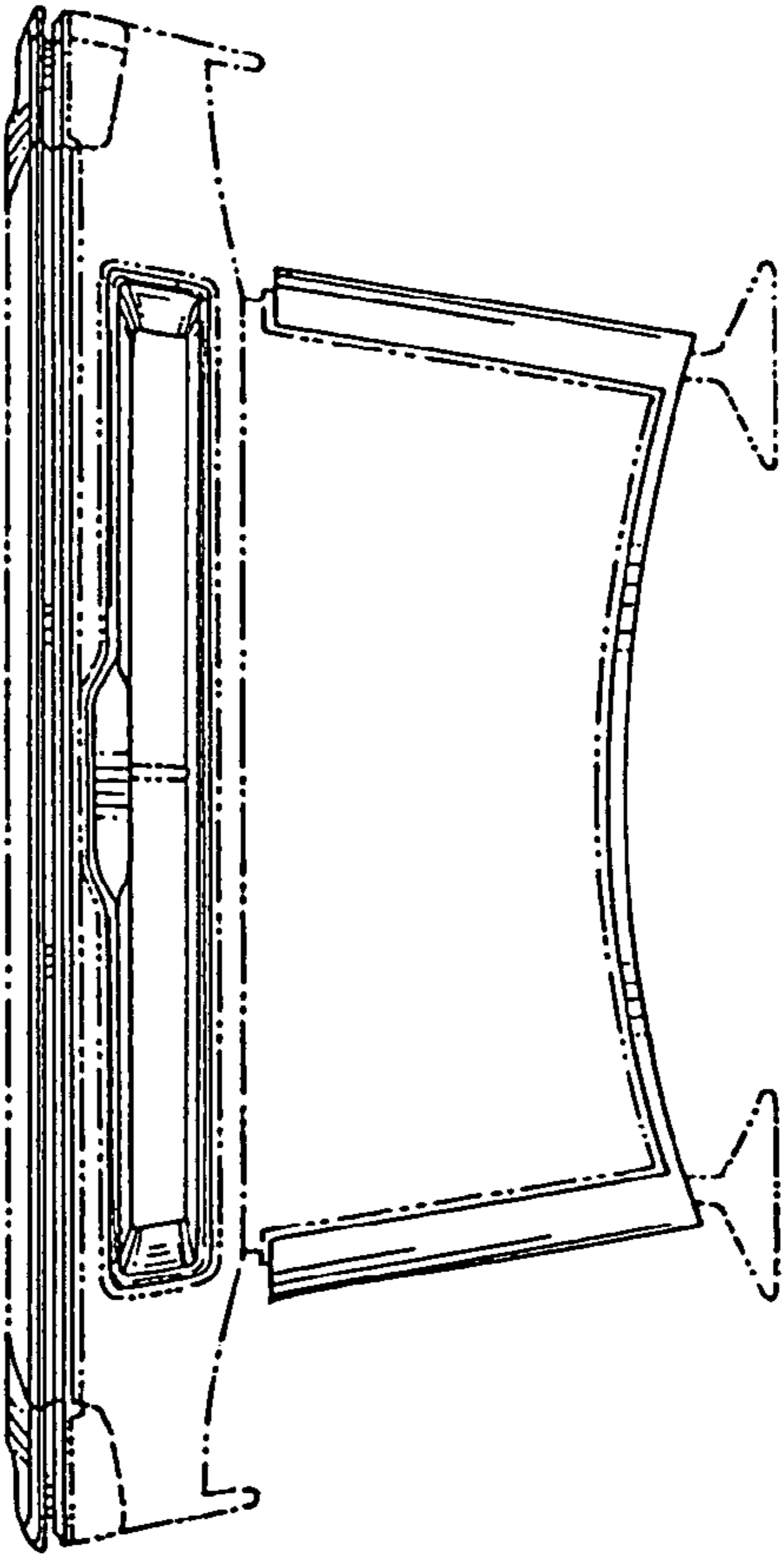




*Fig. 3*



*Fig. 4*



*Fig. 5*

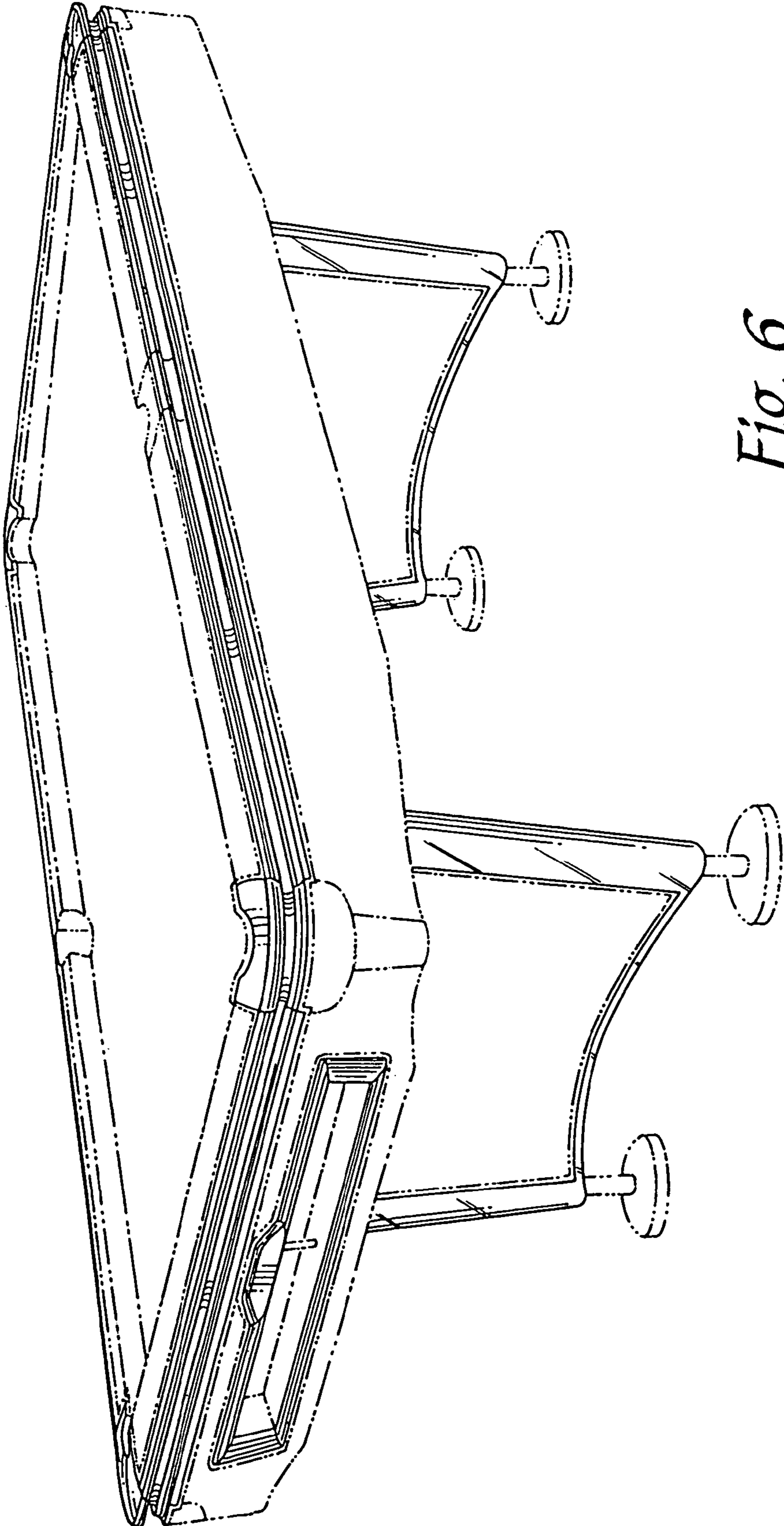
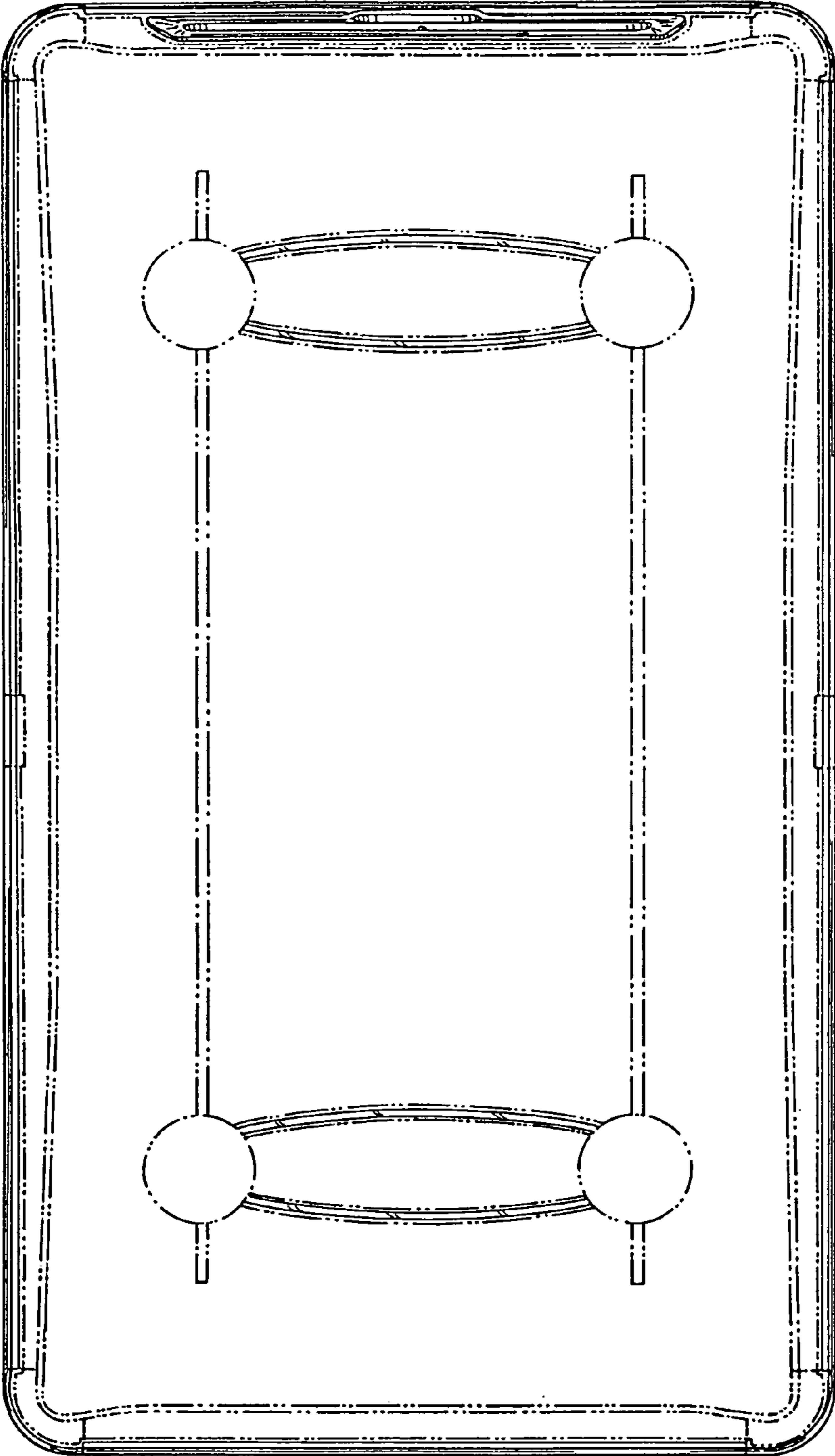
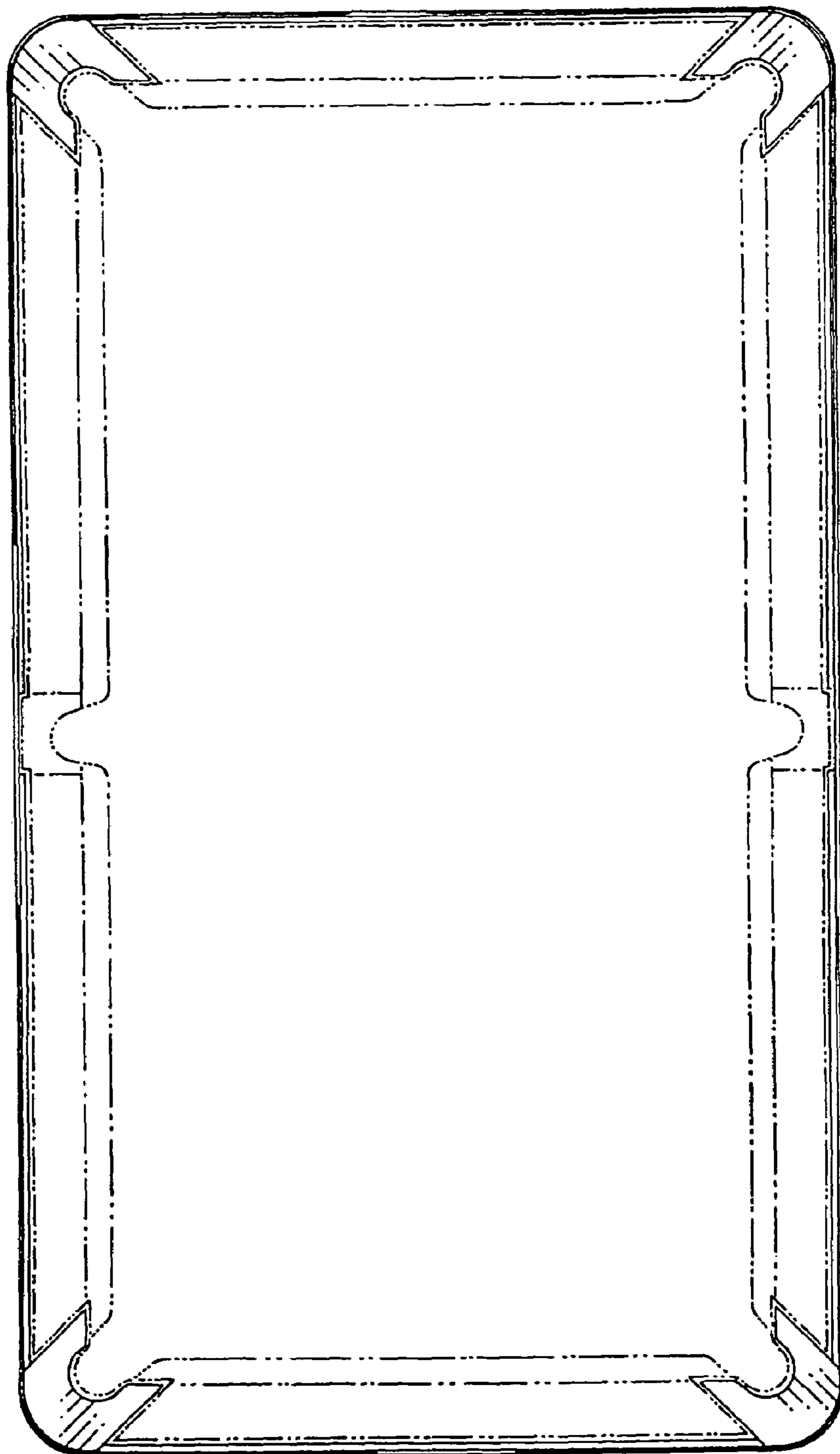


Fig. 6

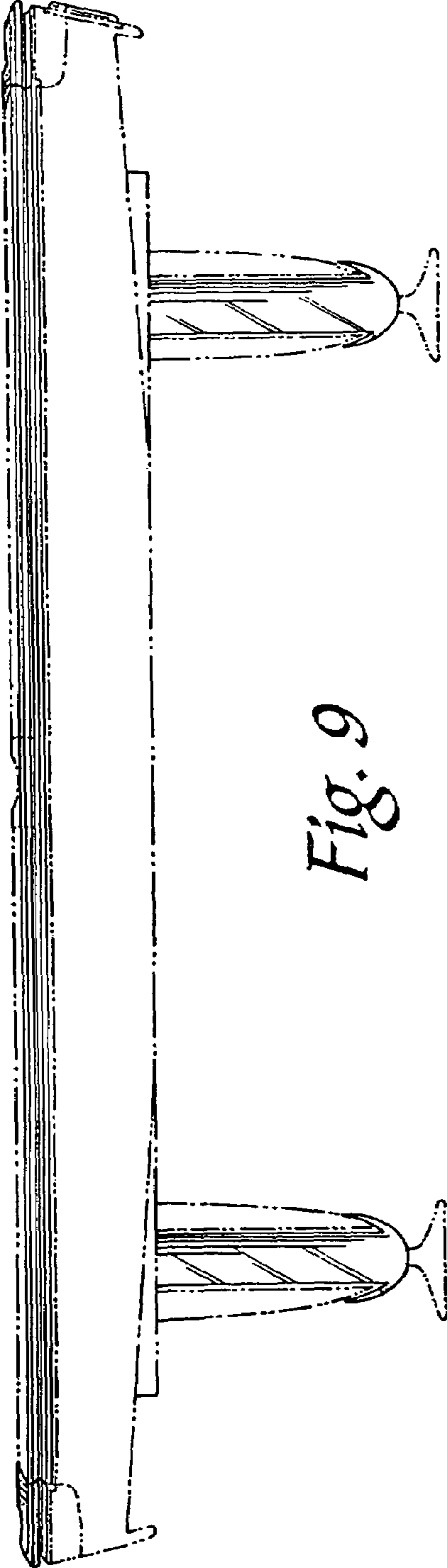
*Fig. 7*



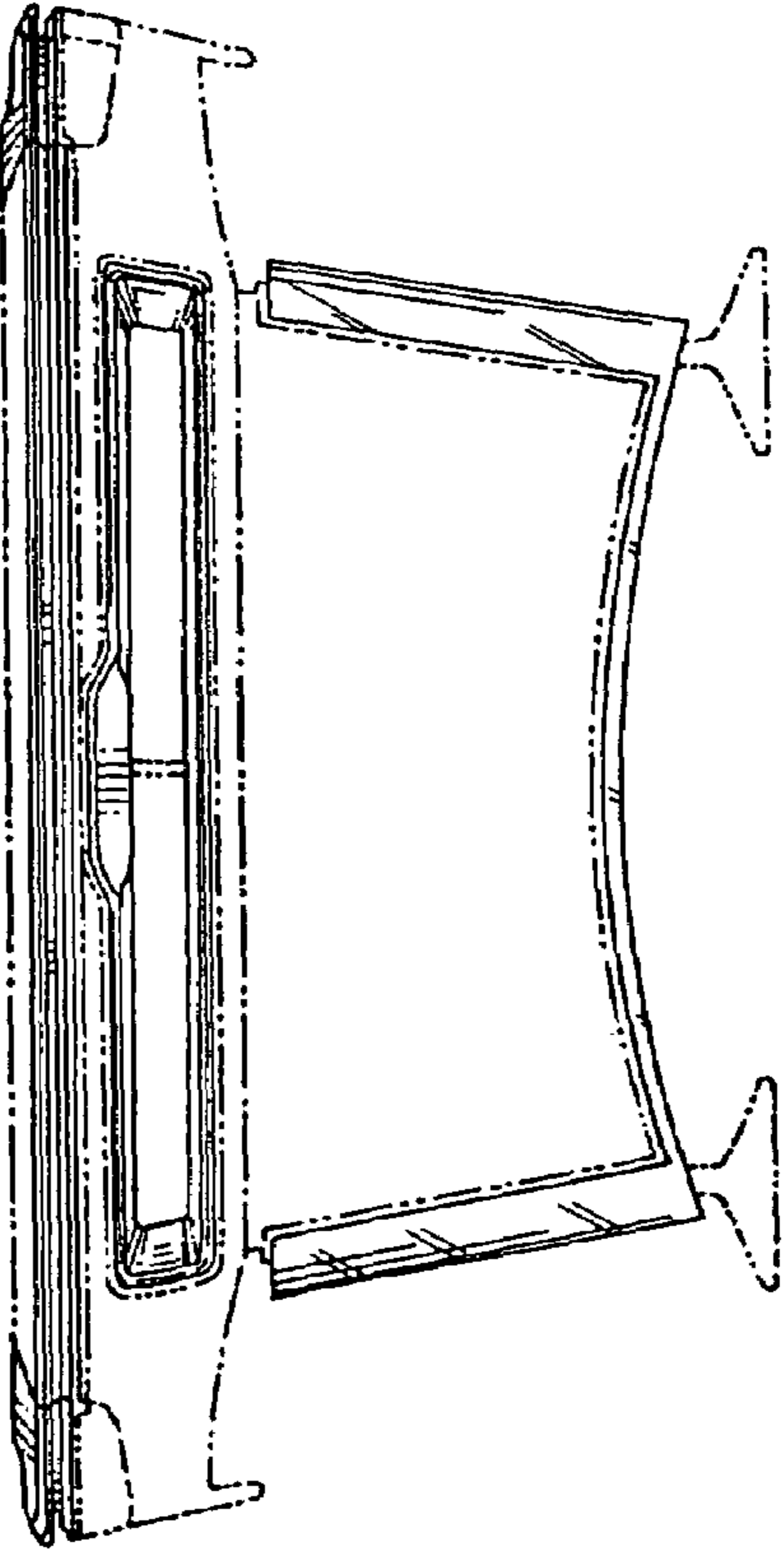




*Fig. 8*



*Fig. 9*



*Fig. 10*