



US00D599425S

(12) **United States Design Patent**
Laub

(10) **Patent No.:** **US D599,425 S**

(45) **Date of Patent:** **** Sep. 1, 2009**

(54) **PUTTER**

D539,370 S * 3/2007 Imamoto D21/736
D541,894 S * 5/2007 Imamoto D21/736
D569,461 S * 5/2008 Morris D21/744

(76) **Inventor:** **Wendy Laub**, 330 Oak View Ln, Santa Barbara, CA (US) 93111

* cited by examiner

(**) **Term:** **14 Years**

Primary Examiner—Mitchell I Siegel

(21) **Appl. No.:** **29/299,727**

(74) *Attorney, Agent, or Firm*—Laura N. Tunnell

(22) **Filed:** **Jan. 3, 2008**

(57) **CLAIM**

(51) **LOC (9) Cl.** **21-02**

The ornamental design for a putter, as shown.

(52) **U.S. Cl.** **D21/746**

DESCRIPTION

(58) **Field of Classification Search** D21/736–746;
473/324–331, 251–256, 340–341

FIG. 1 is a perspective view of the putter.

See application file for complete search history.

FIG. 2 is a view of the top side of the putter.

FIG. 3 is a view of the bottom side of the putter.

(56) **References Cited**

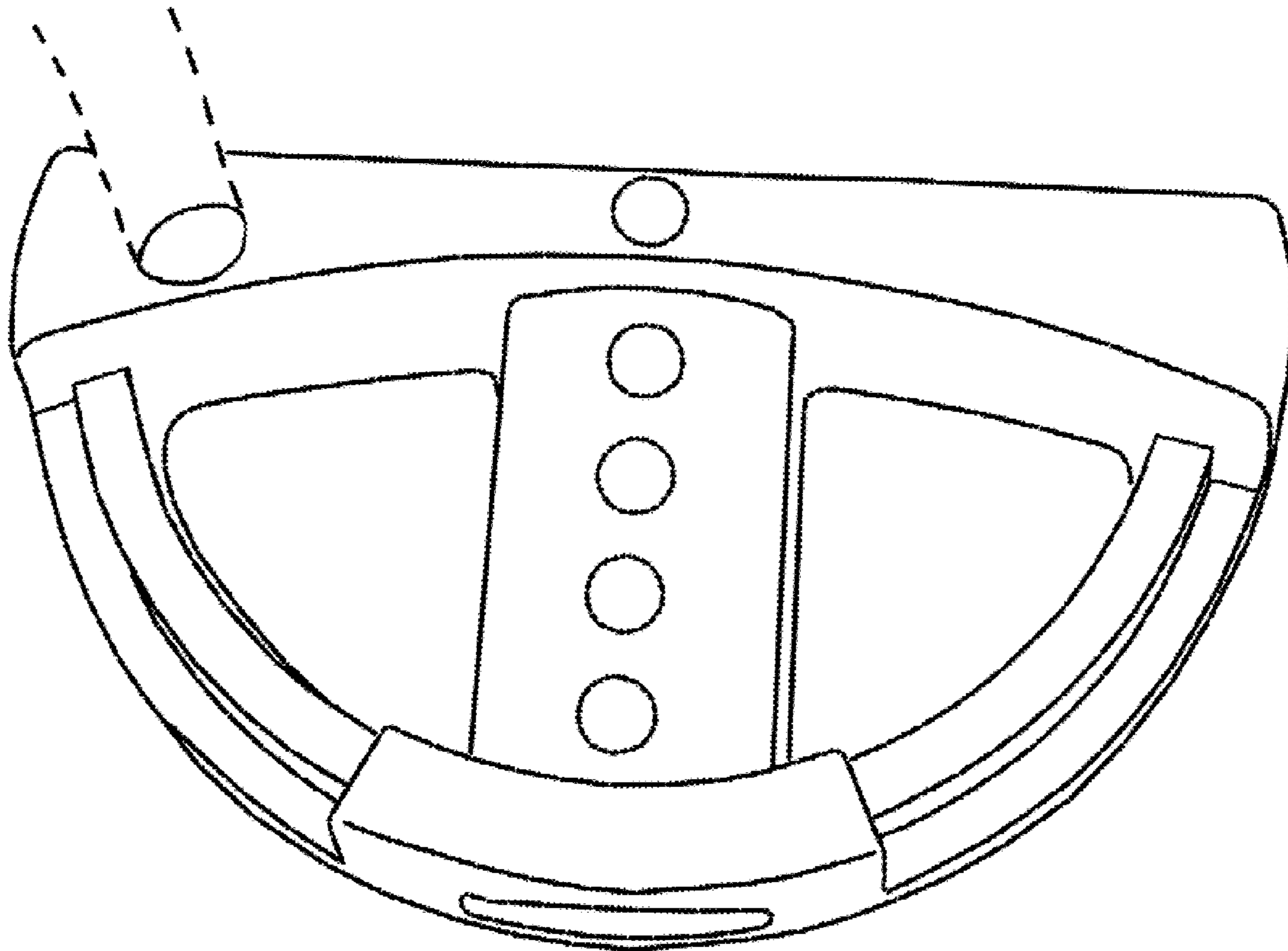
U.S. PATENT DOCUMENTS

D507,316 S * 7/2005 Li D21/742
D532,846 S * 11/2006 Lee et al. D21/736
D537,134 S * 2/2007 Imanoto D21/736

FIG. 4 is a view of the front of the putter; and,

FIG. 5 is a view of the back of the putter.

1 Claim, 4 Drawing Sheets



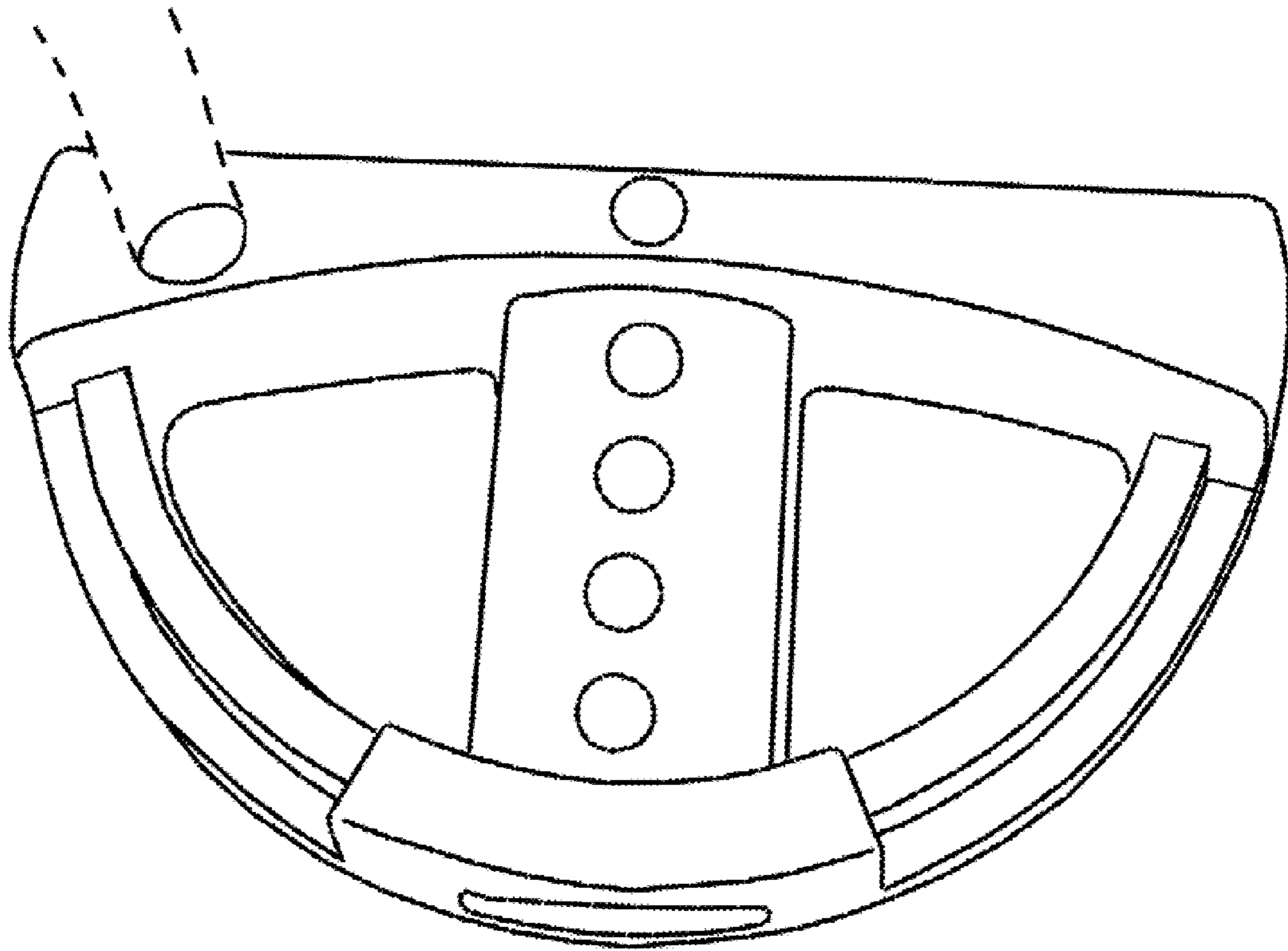


Figure 1

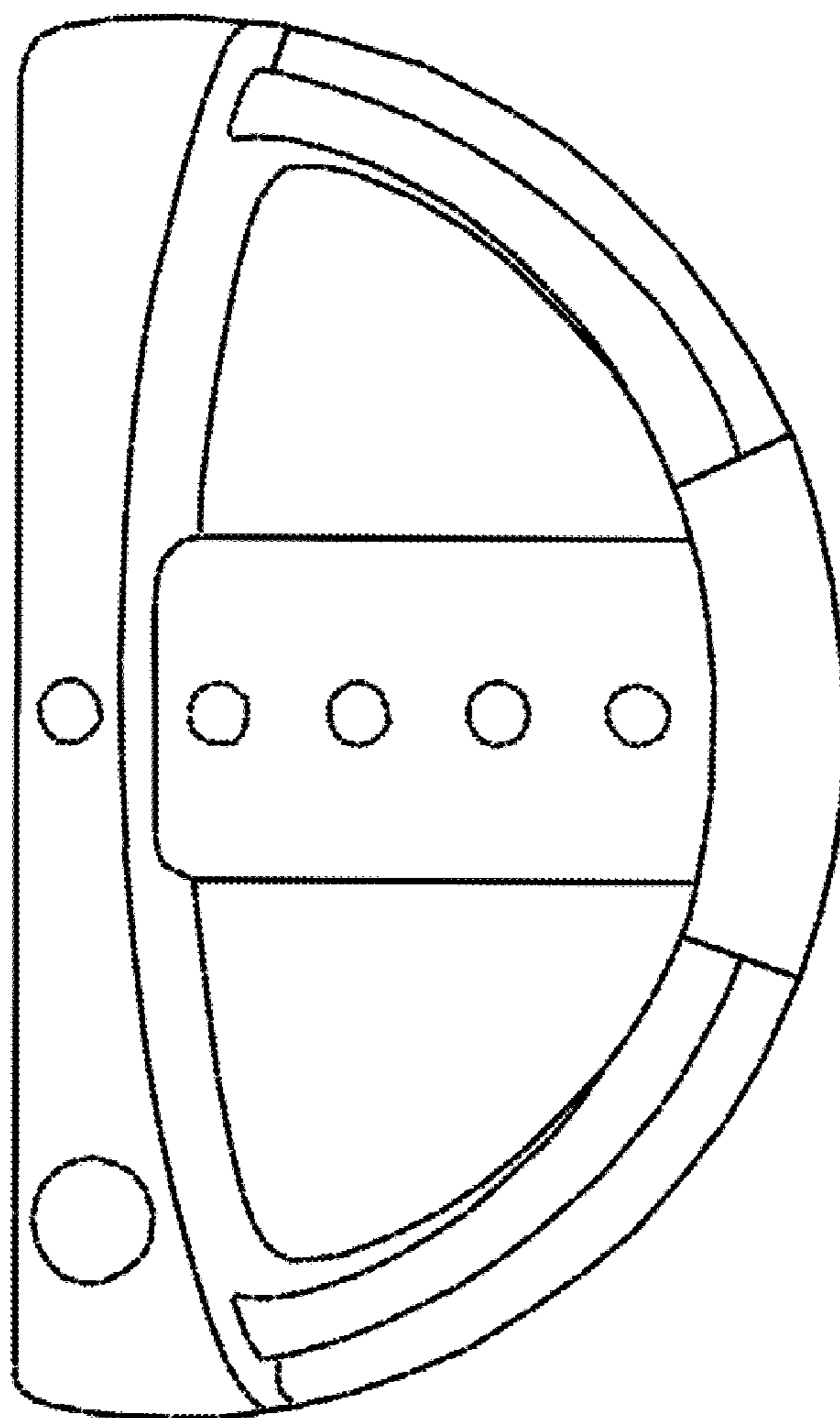


Figure 2

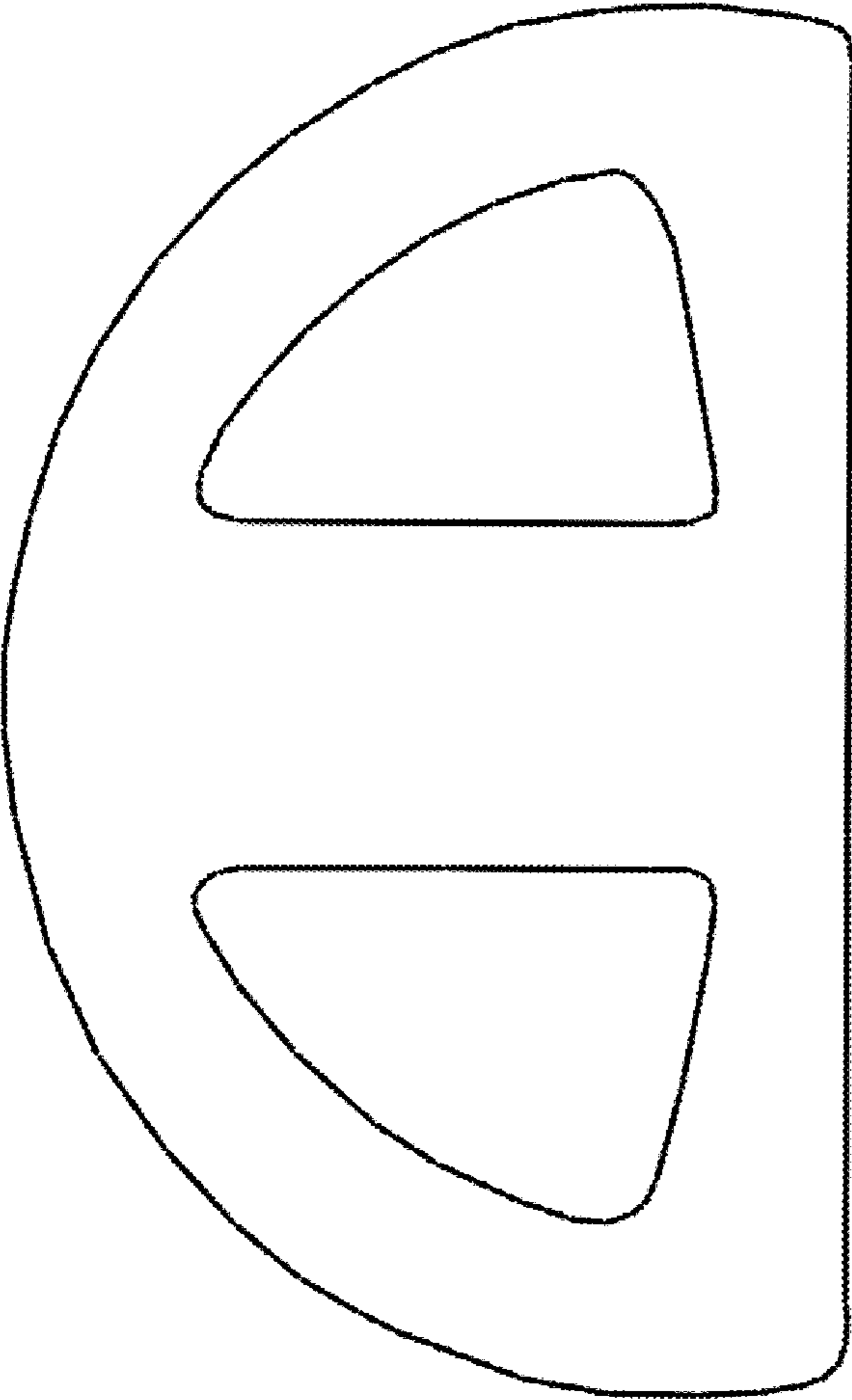


Figure 3

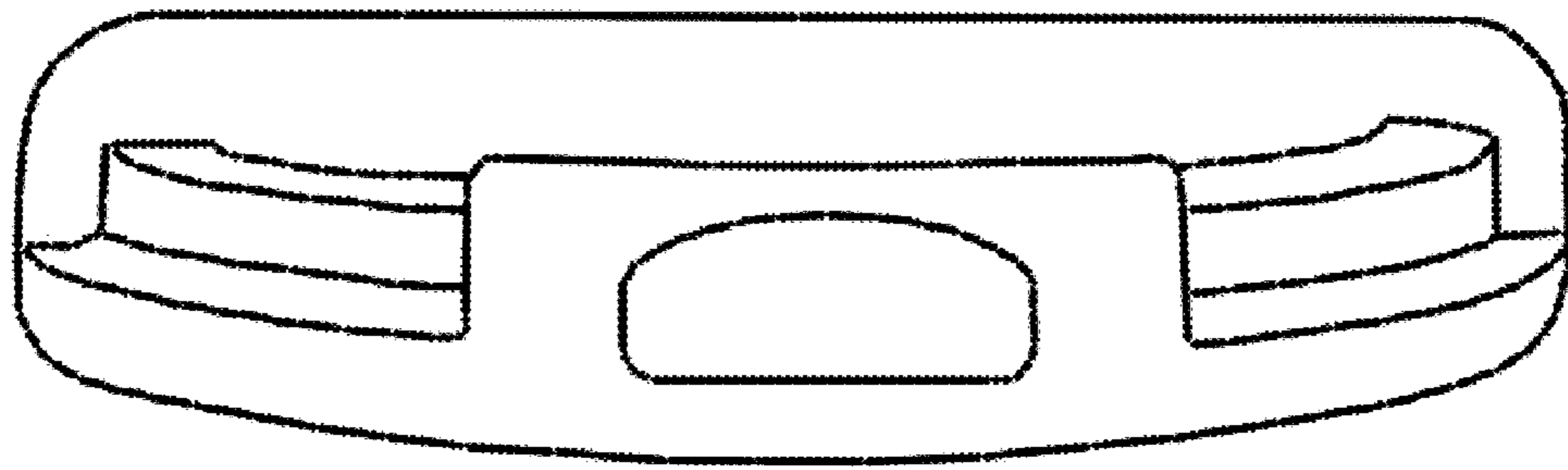


Figure 4

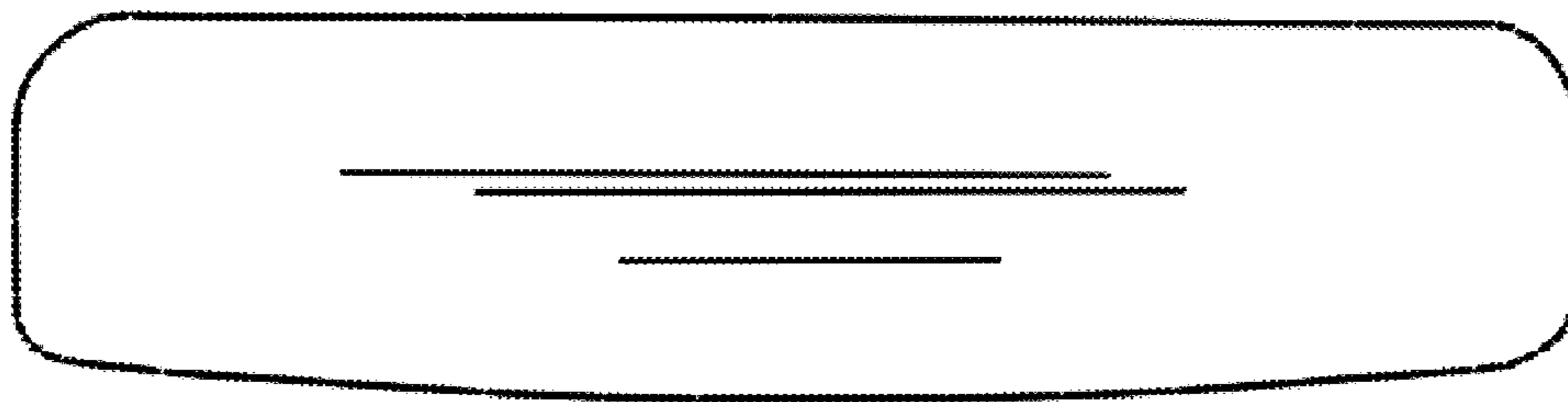


Figure 5