



US00D599424S

(12) **United States Design Patent**
Serrano et al.

(10) **Patent No.:** **US D599,424 S**

(45) **Date of Patent:** **** Sep. 1, 2009**

(54) **GOLF CLUB HEAD**

(75) Inventors: **Anthony D. Serrano**, Anthem, AZ (US);
Xiaojian Chen, Phoenix, AZ (US)

(73) Assignee: **Karsten Manufacturing Corporation**,
Phoenix, AZ (US)

(**) Term: **14 Years**

(21) Appl. No.: **29/335,827**

(22) Filed: **Apr. 22, 2009**

(51) **LOC (9) Cl.** **21-02**

(52) **U.S. Cl.** **D21/736**

(58) **Field of Classification Search** D21/736-746,
D21/759; 473/324-331, 340-341

See application file for complete search history.

(56) **References Cited**

U.S. PATENT DOCUMENTS

D234,960 S	4/1975	Swash
D235,668 S	7/1975	Swash
D281,092 S	10/1985	Mills
D306,334 S	2/1990	Alcala
D310,115 S	8/1990	Iinuma
D310,699 S	9/1990	Parente et al.
D324,895 S	3/1992	Antonious
D335,315 S	5/1993	Shearer
D344,564 S	2/1994	Oakleaf
D372,752 S	8/1996	Raudman
D385,935 S	11/1997	Cameron
D396,080 S	7/1998	Bottema
D399,274 S	10/1998	Bradford
D410,267 S	5/1999	Solheim et al.
D426,599 S	6/2000	Morgan et al.

D438,273 S 2/2001 Sizemore, Jr.
D445,861 S 7/2001 Mills
D445,865 S 7/2001 Mills

(Continued)

OTHER PUBLICATIONS

Anthony D. Serrano, et al., "Golf Club Head," U.S. Appl. No. 29/335,832, filed Apr. 22, 2009.

(Continued)

Primary Examiner—Mitchell I Siegel

(57) **CLAIM**

The ornamental design for a golf club head, as shown and described.

DESCRIPTION

FIG. 1 is a top perspective view of a golf club head;

FIG. 2 is a bottom perspective view of the golf club head of FIG. 1;

FIG. 3 is a front elevational view of the golf club head of FIG. 1;

FIG. 4 is a rear elevational view of the golf club head of FIG. 1;

FIG. 5 is a top view of the golf club head of FIG. 1;

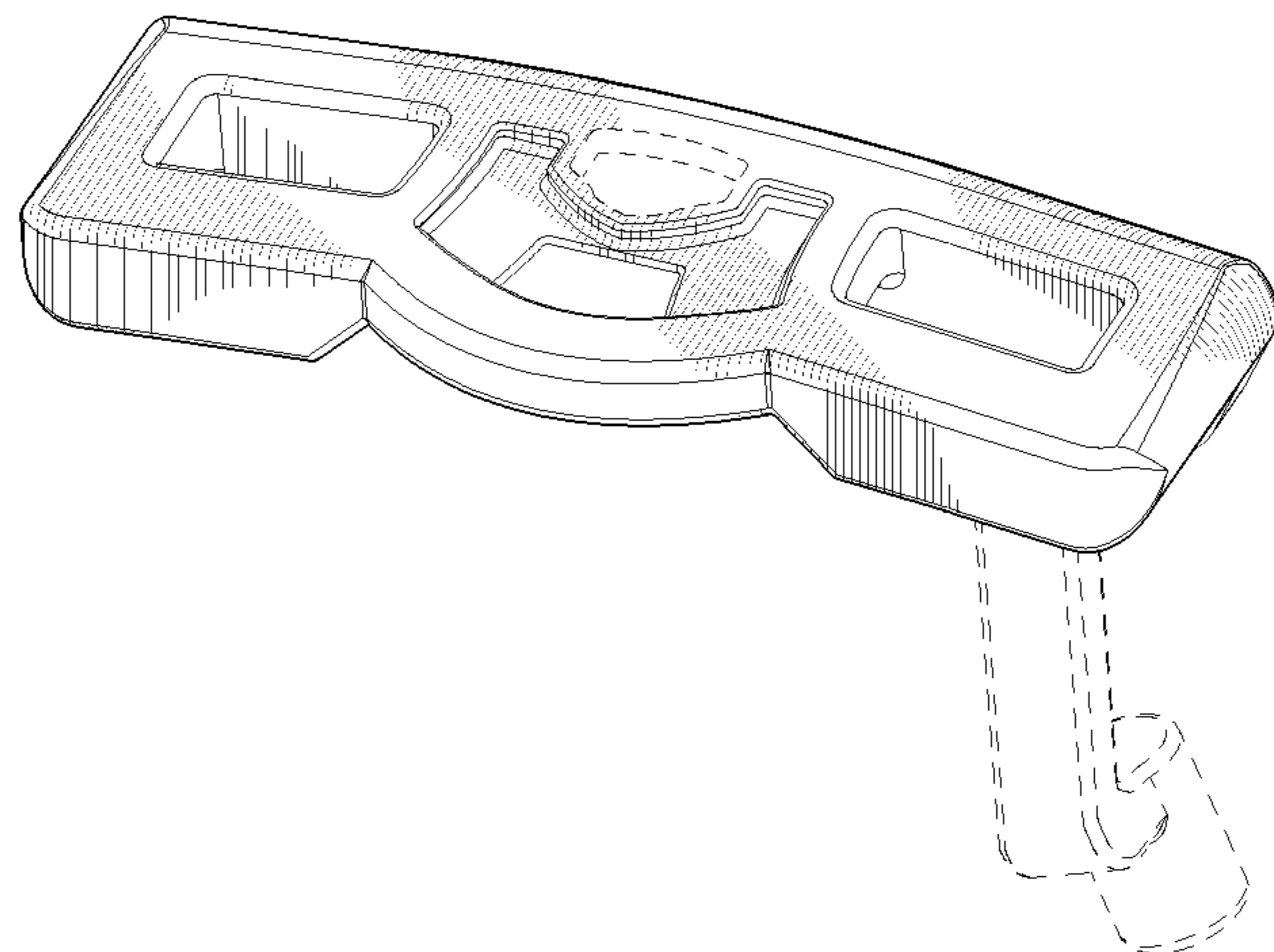
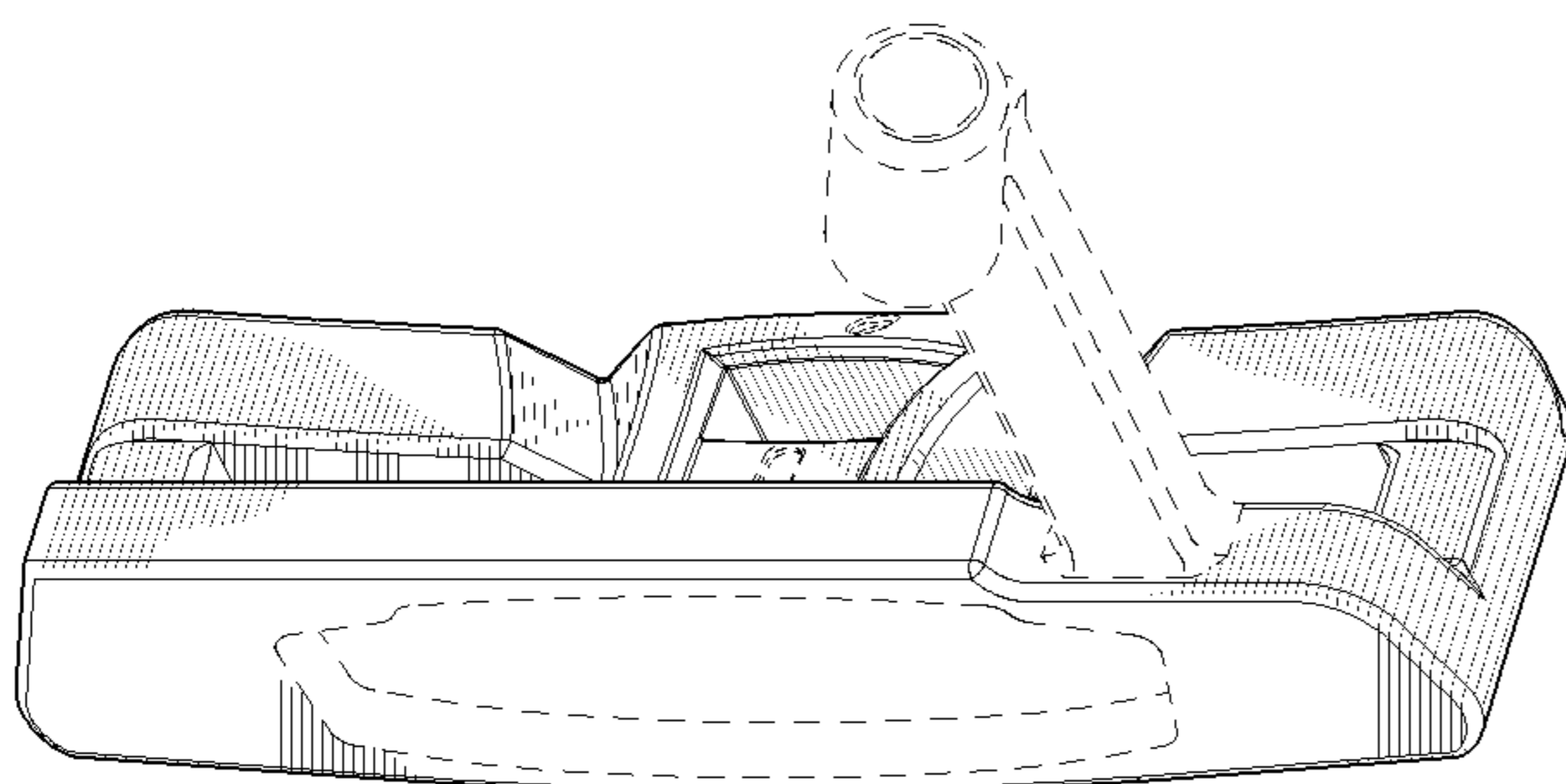
FIG. 6 is a bottom view of the golf club head of FIG. 1;

FIG. 7 is a left side view of the golf club head of FIG. 1; and,

FIG. 8 is a right side view of the golf club head of FIG. 1.

The broken lines shown in one or more of the figures are for illustrative purposes only and form no part of the claimed design.

1 Claim, 4 Drawing Sheets



U.S. PATENT DOCUMENTS

D449,085 S 10/2001 Breier et al.
 D474,253 S 5/2003 Mills
 D483,823 S 12/2003 Swist
 D485,320 S 1/2004 Breier et al.
 D488,526 S 4/2004 Souza et al.
 D499,782 S 12/2004 Stites et al.
 D500,109 S 12/2004 Solheim et al.
 D500,110 S 12/2004 Solheim et al.
 D501,233 S * 1/2005 Thomas D21/736
 6,837,801 B1 1/2005 Souza et al.
 6,893,355 B2 5/2005 Souza et al.
 D506,237 S 6/2005 Byrne et al.
 D507,612 S 7/2005 Souza et al.
 D508,546 S 8/2005 Oldknow
 6,926,615 B1 8/2005 Souza et al.
 6,960,140 B2 11/2005 Solheim et al.
 6,968,645 B2 11/2005 Epps et al.
 D513,050 S 12/2005 Grimaldo
 D515,646 S 2/2006 Perry
 D520,583 S 5/2006 Rollinson et al.
 D520,584 S 5/2006 Karlson
 D521,582 S 5/2006 Souza et al.
 7,052,411 B2 5/2006 Solheim et al.
 D522,598 S 6/2006 Solheim et al.
 D523,102 S 6/2006 Stites et al.
 D524,887 S 7/2006 Jones et al.
 D525,328 S 7/2006 Solheim et al.
 D525,329 S 7/2006 Jones et al.
 D527,433 S 8/2006 Hueber
 7,086,957 B2 8/2006 Solheim et al.
 D527,777 S 9/2006 Solheim et al.
 D529,109 S * 9/2006 Jones D21/743
 7,112,147 B2 9/2006 Solheim et al.
 D529,560 S 10/2006 Madore
 D529,564 S 10/2006 Grace
 D532,066 S 11/2006 Tang
 D532,842 S 11/2006 Jones et al.
 D532,843 S 11/2006 Jones et al.
 D533,243 S 12/2006 Fife, Jr. et al.
 D533,609 S 12/2006 Moore et al.
 D534,978 S 1/2007 Rollinson et al.
 D537,135 S 2/2007 Rollinson et al.
 D538,364 S 3/2007 Frame et al.
 D540,411 S 4/2007 Bradford et al.
 D540,897 S 4/2007 Oldknow et al.
 D541,362 S 4/2007 Oldknow
 D542,871 S 5/2007 Oldknow
 D542,873 S 5/2007 Oldknow
 D545,385 S 6/2007 Tang et al.
 7,235,021 B2 6/2007 Solheim et al.
 D547,405 S 7/2007 Serrano et al.
 D548,294 S 8/2007 Nguyen et al.
 D548,295 S 8/2007 Jertson et al.
 D548,296 S 8/2007 Rollinson
 7,255,650 B2 8/2007 Braynt et al.
 D551,310 S 9/2007 Kuan et al.
 D552,197 S 10/2007 Wells et al.
 D552,697 S 10/2007 Johnson
 D553,207 S 10/2007 Johnson

D560,263 S 1/2008 Rubino
 D564,606 S 3/2008 Oldknow et al.
 D564,612 S 3/2008 Oldknow et al.
 D565,137 S * 3/2008 Oldknow et al. D21/736
 D565,142 S 3/2008 Oldknow et al.
 D565,678 S 4/2008 Cameron
 D570,934 S 6/2008 Ban et al.
 D570,943 S 6/2008 Chen et al.
 D571,877 S 6/2008 Jones et al.
 D571,878 S 6/2008 Jones et al.
 D571,879 S 6/2008 Jones et al.
 D571,886 S 6/2008 Stites et al.
 D572,789 S 7/2008 Stites et al.
 D574,457 S 8/2008 Stites et al.
 D574,906 S 8/2008 Jones et al.
 D574,907 S 8/2008 Jones et al.
 D574,909 S 8/2008 Jones et al.
 D574,910 S 8/2008 Jones et al.
 D574,911 S 8/2008 Jones et al.
 D574,912 S 8/2008 Jones et al.
 7,407,443 B2 8/2008 Franklin et al.
 D578,593 S 10/2008 Oldknow et al.
 D578,594 S 10/2008 Oldknow et al.
 D579,505 S 10/2008 Jones
 D581,473 S * 11/2008 Thomas D21/746
 7,452,283 B2 11/2008 Hettinger et al.
 7,455,599 B2 11/2008 Jones
 D583,003 S 12/2008 Solheim et al.
 D584,780 S 1/2009 Ines et al.
 D587,325 S * 2/2009 Solheim et al. D21/736
 D595,370 * 6/2009 Ines et al. D21/736
 2006/0116216 A1 6/2006 Sorenson
 2007/0021230 A1 1/2007 Haack
 2007/0135232 A1 6/2007 Billings
 2008/0293514 A1 11/2008 Franklin et al.
 2009/0029800 A1 1/2009 Jones et al.

OTHER PUBLICATIONS

Anthony D. Serrano, et al., "Golf Club Head," U.S. Appl. No. 29/335,828, filed Apr. 22, 2009.
 Anthony D. Serrano, et al., "Golf Club Head," U.S. Appl. No. 29/335,825, filed Apr. 22, 2009.
 Anthony D. Serrano, et al., "Golf Club Head," U.S. Appl. No. 29/335,811, filed Apr. 22, 2009.
 Anthony D. Serrano, et al., "Golf Club Head," U.S. Appl. No. 29/335,808, filed Apr. 22, 2009.
 Anthony D. Serrano, et al., "Golf Club Head," U.S. Appl. No. 29/335,806, filed Apr. 22, 2009.
 Anthony D. Serrano, et al., "Golf Club Head," U.S. Appl. No. 29/335,797, filed Apr. 22, 2009.
 Anthony D. Serrano, et al., "Badge for a Golf Club Head," U.S. Appl. No. 29/335,796, filed Apr. 22, 2009.
 Solheim, et al., "Golf Club Head with Three-Dimensional Alignment Aid and Method of Manufacture," U.S. Appl. No. 12/164,956, filed Jun. 30, 2008.
 Solheim, et al., "Golf Club Head with a Three-Dimensional Alignment Member and Methods to Manufacture Golf Club Heads," U.S. Appl. No. 12/425,637, filed Apr. 17, 2009.

* cited by examiner

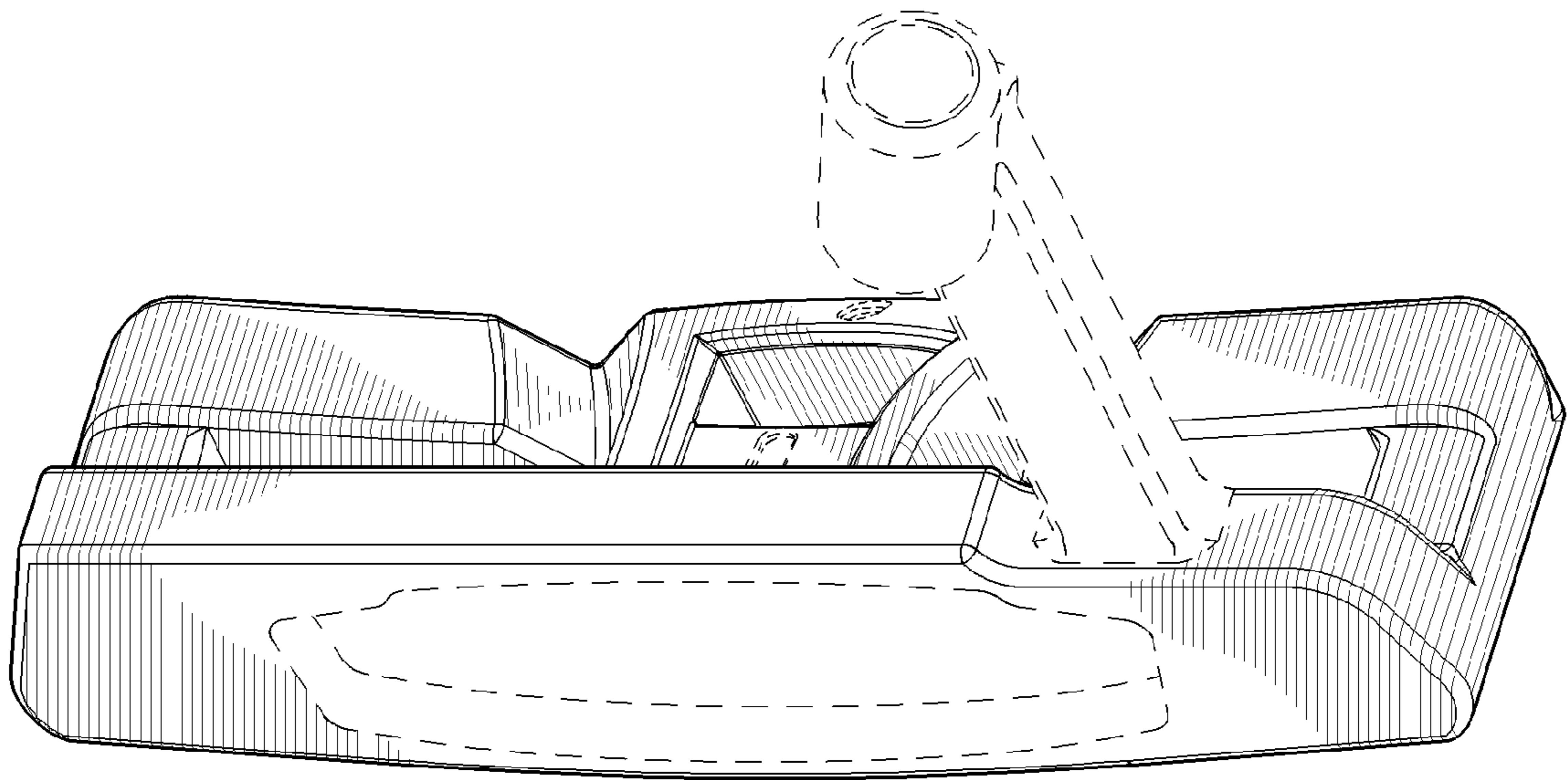


Fig. 1

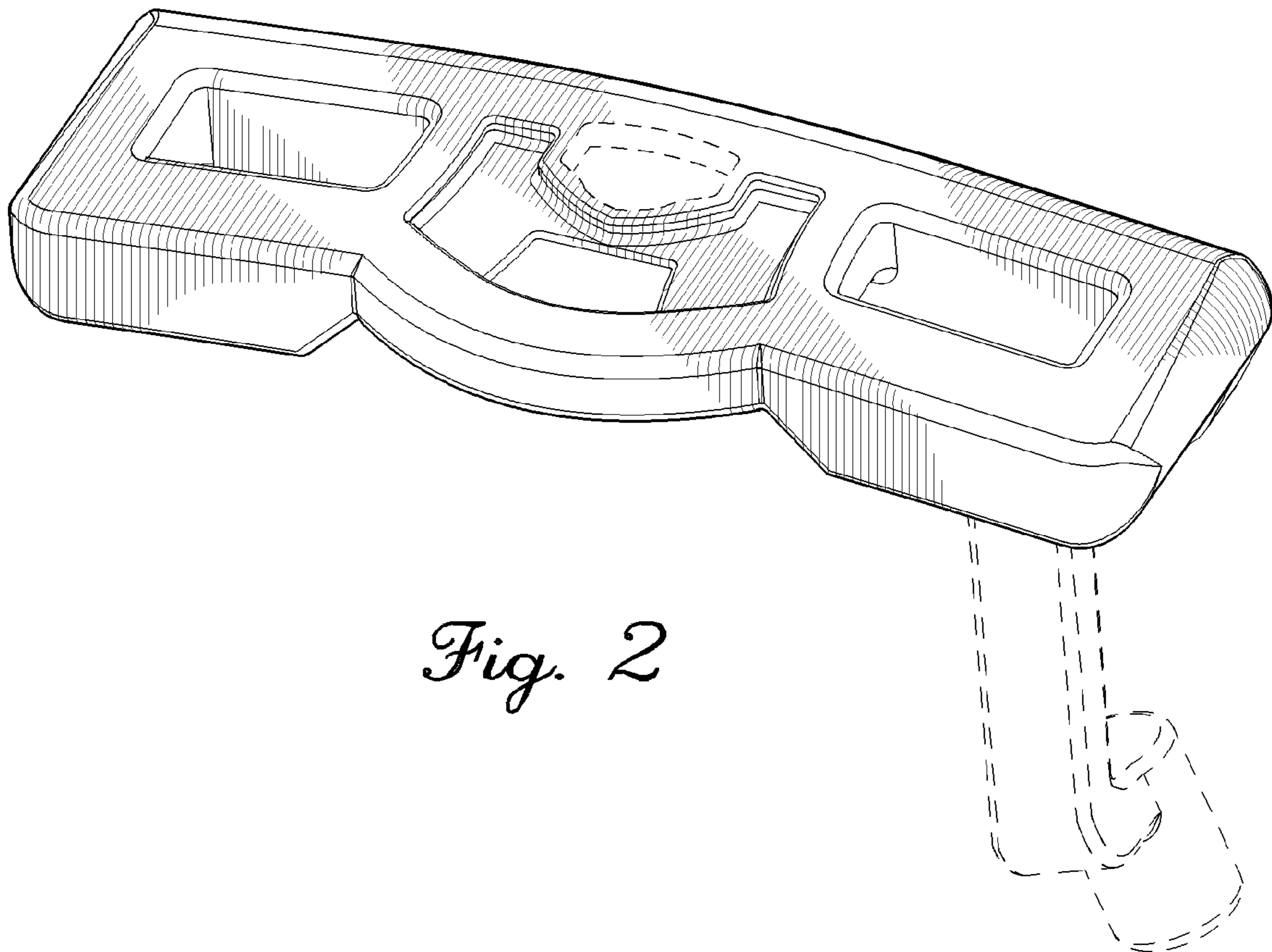


Fig. 2

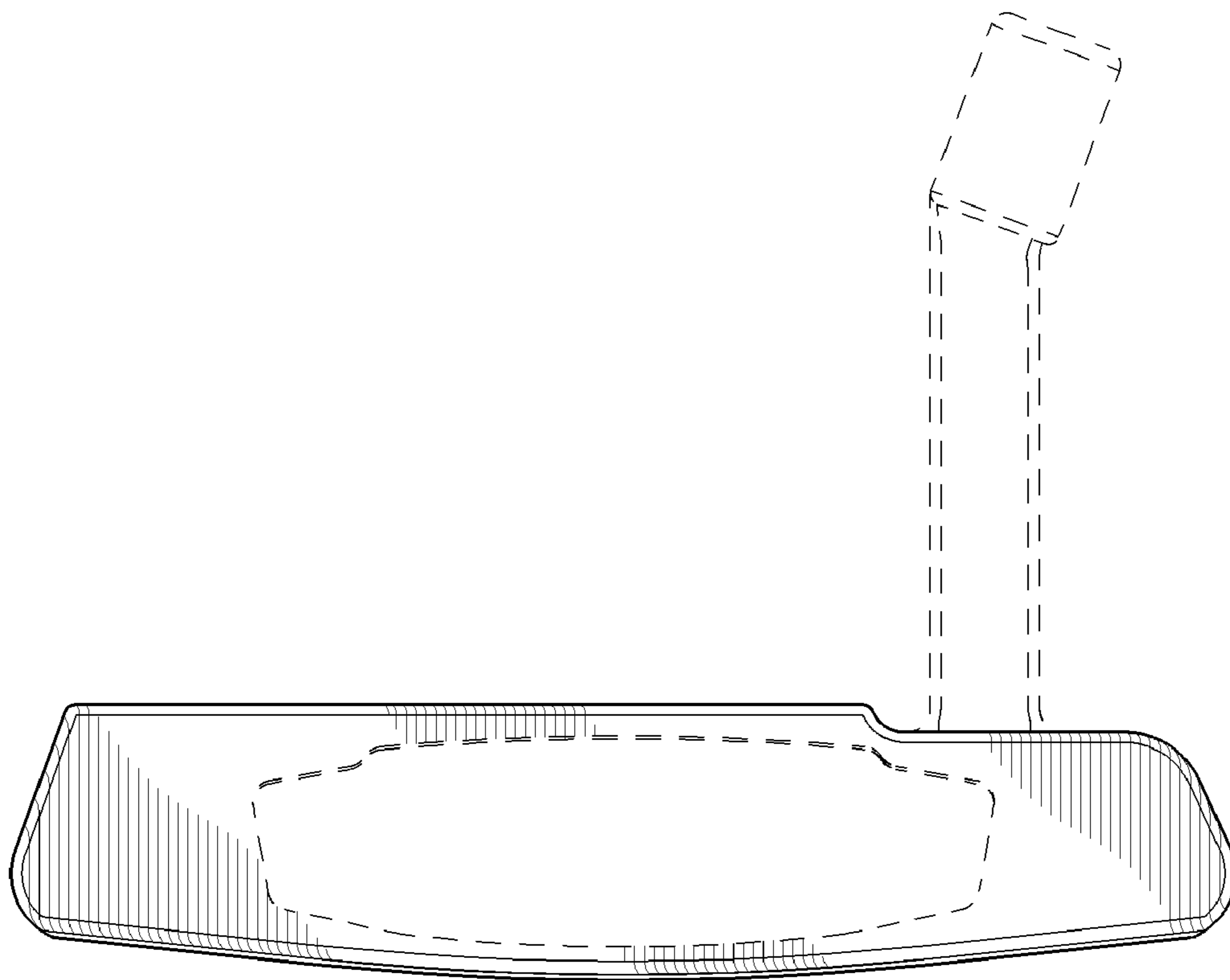


Fig. 3

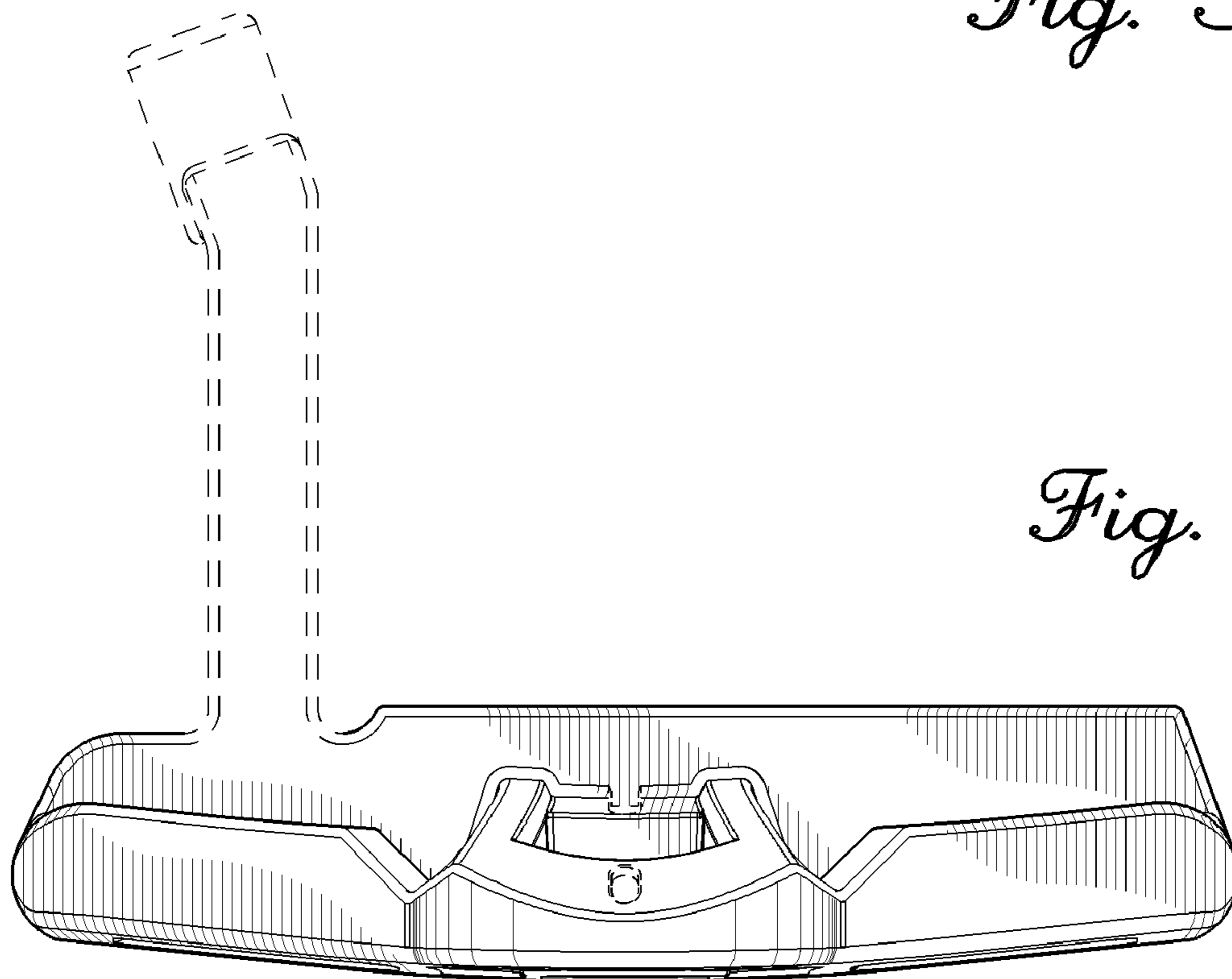


Fig. 4

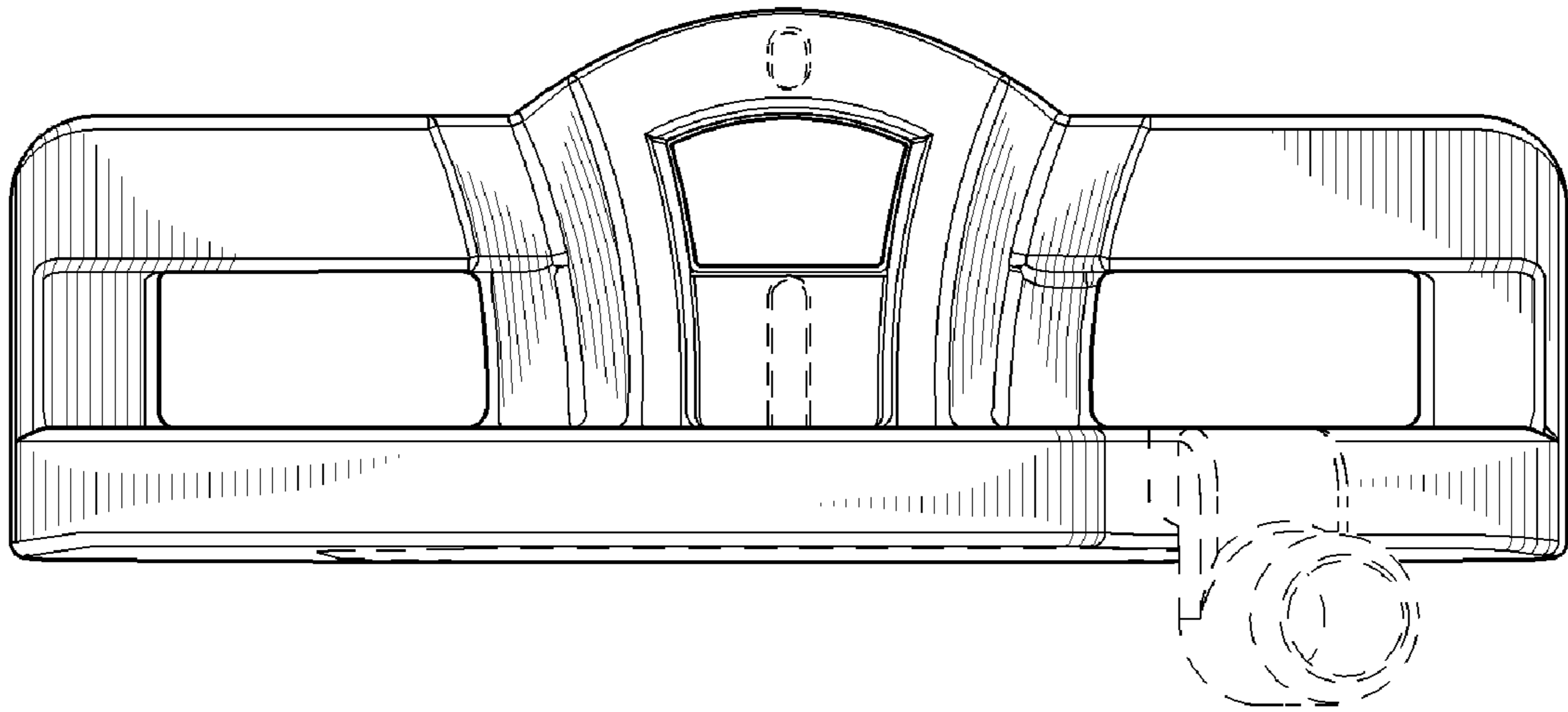


Fig. 5

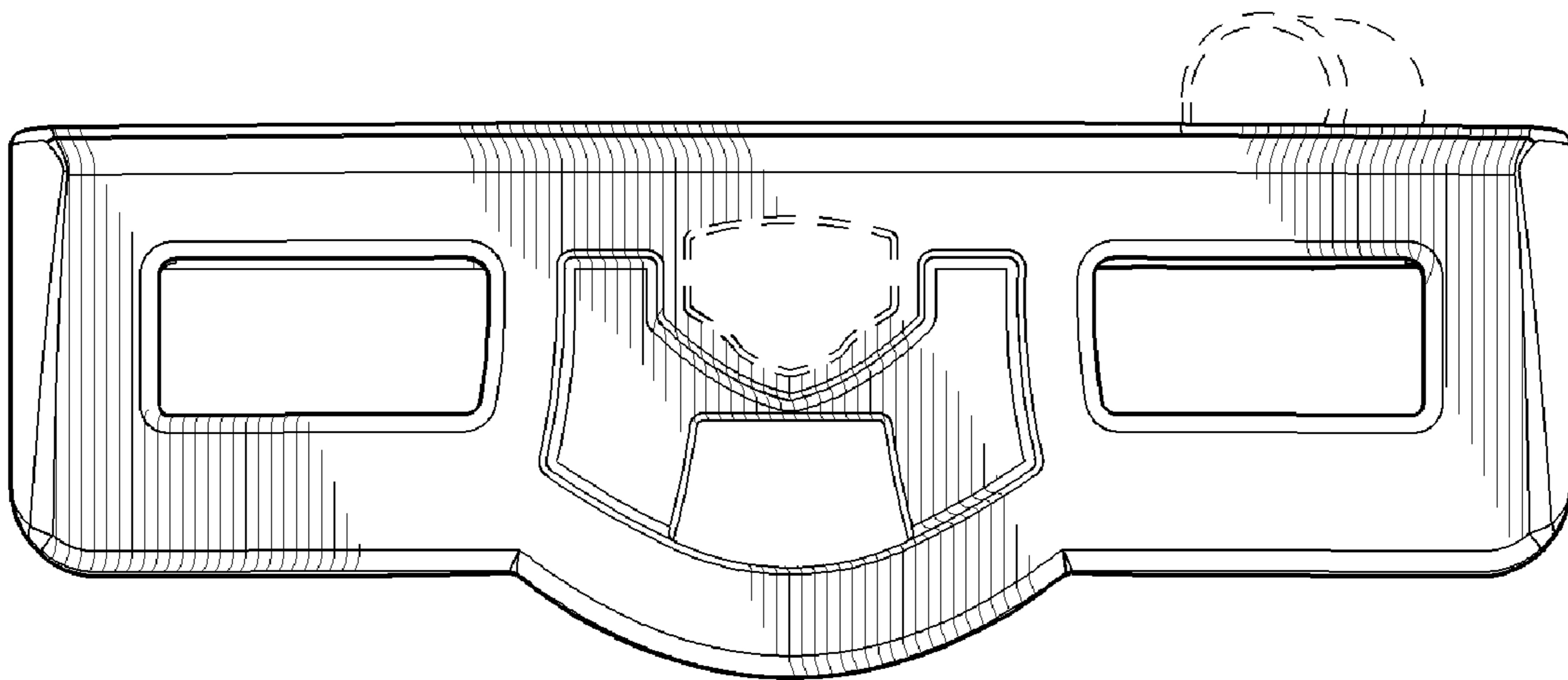


Fig. 6

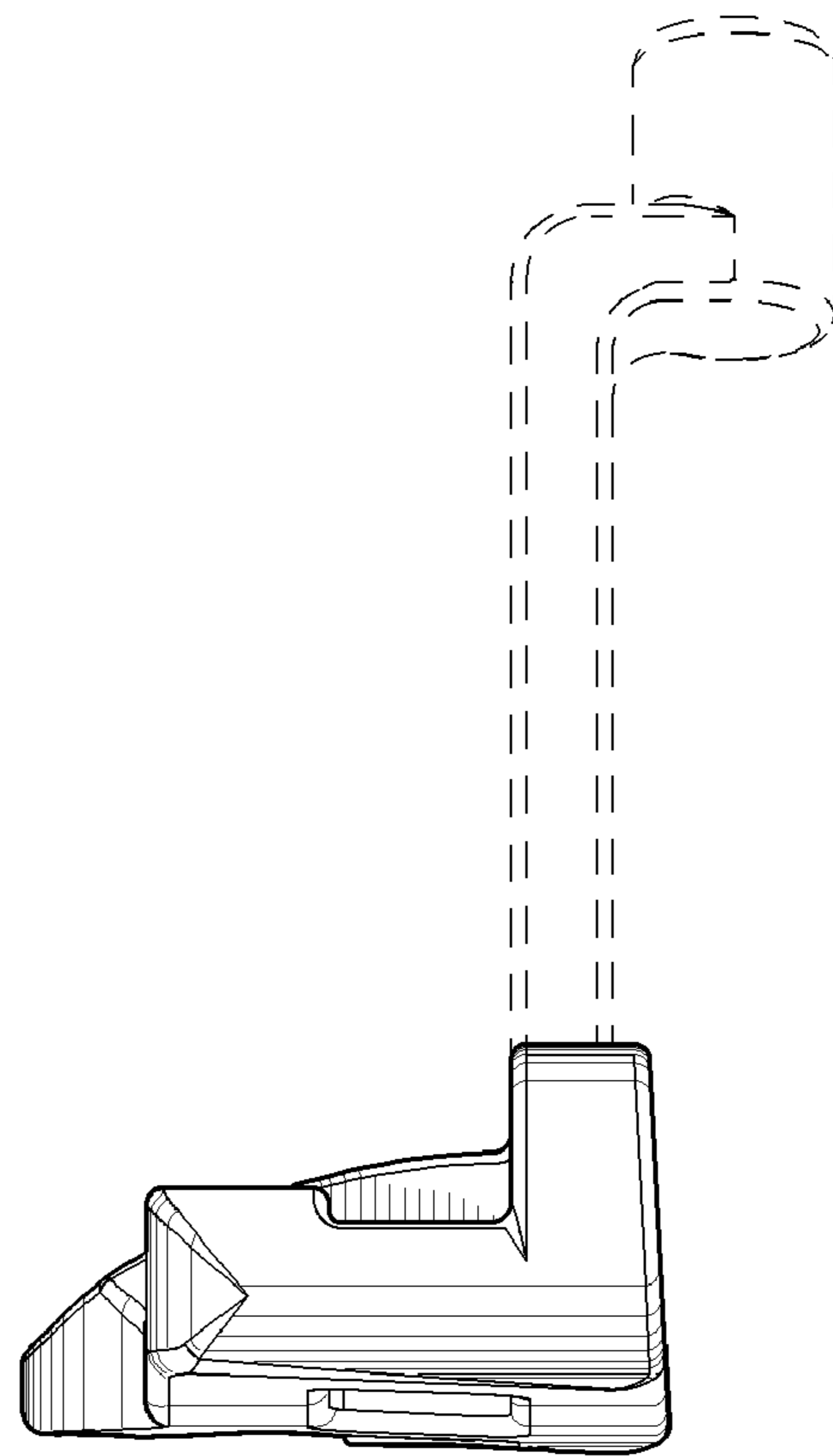


Fig. 7

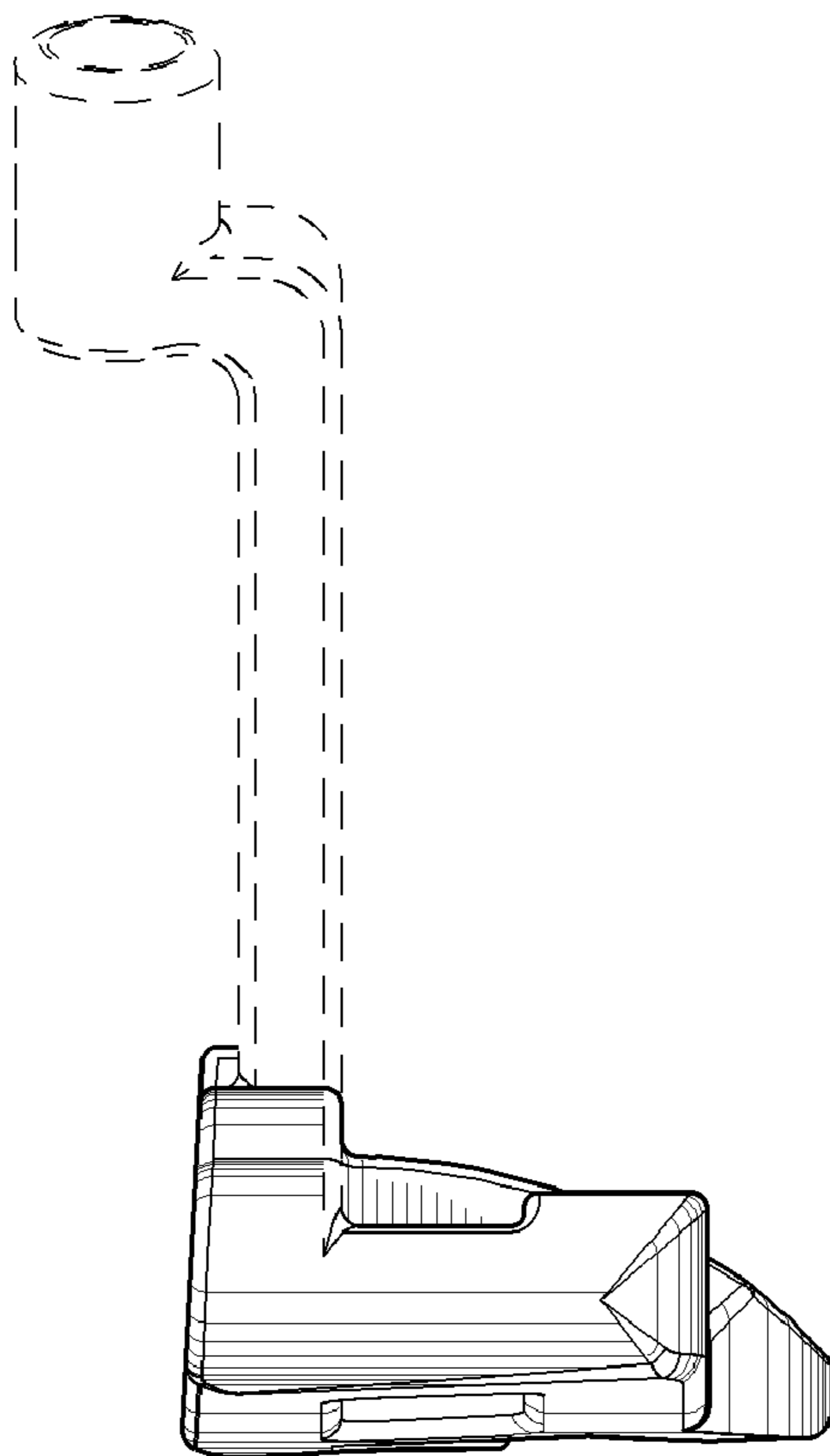


Fig. 8