



US00D599415S

(12) **United States Design Patent**  
**Gold et al.**

(10) **Patent No.:** **US D599,415 S**

(45) **Date of Patent:** **\*\* Sep. 1, 2009**

(54) **BATH TOY**

(76) Inventors: **Jonathan Morris Gold**, c/o Brother Max Limited, Calleo House, 49 Theobald Street, Borehamwood (GB) WD6 4RT; **Daniel Jason Tyler**, c/o Brother Max Limited, Calleo House, 49 Theobald Street, Borehamwood (GB) WD6 4RT

1,389,098 A *	8/1921	Cohn .....	446/19
1,526,052 A *	2/1925	Christian .....	446/20
1,557,421 A *	10/1925	Cohn .....	446/20
2,177,211 A *	10/1939	Fulton .....	446/202
2,396,433 A *	3/1946	Pimblett .....	446/19
2,826,201 A *	3/1958	Yoder .....	606/235
D248,786 S *	8/1978	Nakao .....	D21/473
D385,925 S *	11/1997	Jensen et al. ....	D21/406
D554,817 S *	11/2007	Talesfore et al. ....	D32/41

(\*\*) **Term:** **14 Years**

(21) **Appl. No.:** **29/320,222**

(22) **Filed:** **Jun. 24, 2008**

(51) **LOC (9) Cl.** ..... **21-01**

(52) **U.S. Cl.** ..... **D21/473**

(58) **Field of Classification Search** ..... D21/300, D21/301, 303, 309, 398, 401-407, 468, 470, D21/472-476, 483, 517, 523, 525, 532; D30/158-160; D24/194, 195; D4/100, 102, 116, 127, 128; D7/395, 401.2, 642, 643, 645, 649, 653; D8/303, 307, DIG. 4, DIG. 7; 446/15-21, 446/70, 144, 153, 176, 177, 183, 184, 188, 446/193, 197, 202, 418, 419, 420, 472, 473, 446/475, 483, 486, 491

See application file for complete search history.

(56) **References Cited**

**U.S. PATENT DOCUMENTS**

242,215 A *	5/1881	Miles .....	446/20
648,215 A *	4/1900	McCoy et al. ....	446/20
D55,409 S *	6/1920	Bogert .....	D21/401
1,344,104 A *	6/1920	Tyrrell .....	446/20

\* cited by examiner

*Primary Examiner*—Catherine Tuttle

(57) **CLAIM**

The ornamental design for a bath toy, as shown and described.

**DESCRIPTION**

FIG. 1 is a perspective view of a bath toy showing our new design;

FIG. 2 is a side elevational view thereof;

FIG. 3 is a side elevational view thereof, opposite that shown in FIG. 2;

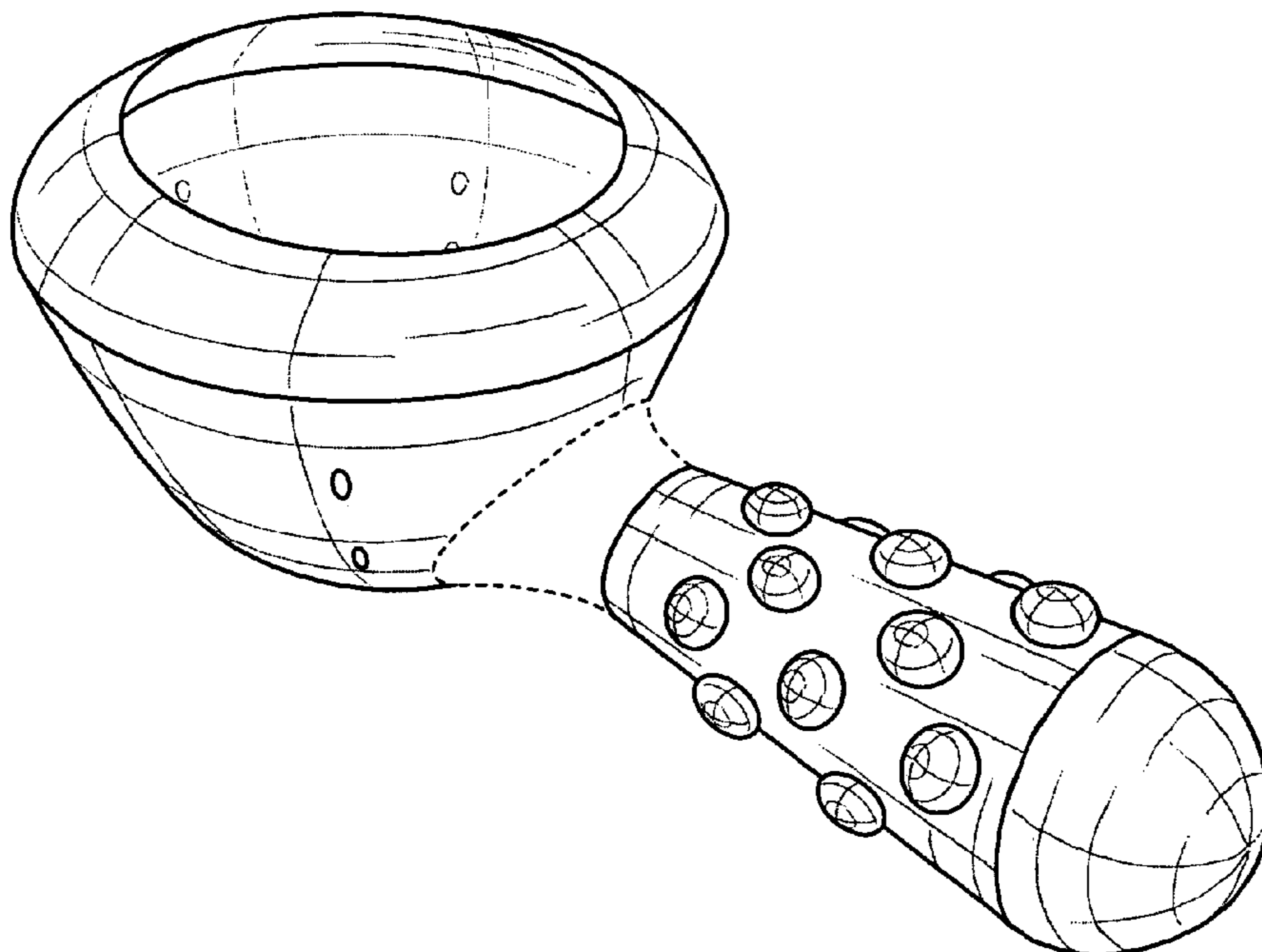
FIG. 4 is a front elevational view thereof; and,

FIG. 5 is a top plan view thereof.

In a bottom view of the bath toy, the handle portion is a mirror image of the top view; and the pattern on the wide portion follows the radial arrangement seen from the top.

The broken lines are included for the purpose of illustrating portions of the bath toy that form no part of the claimed design.

**1 Claim, 5 Drawing Sheets**



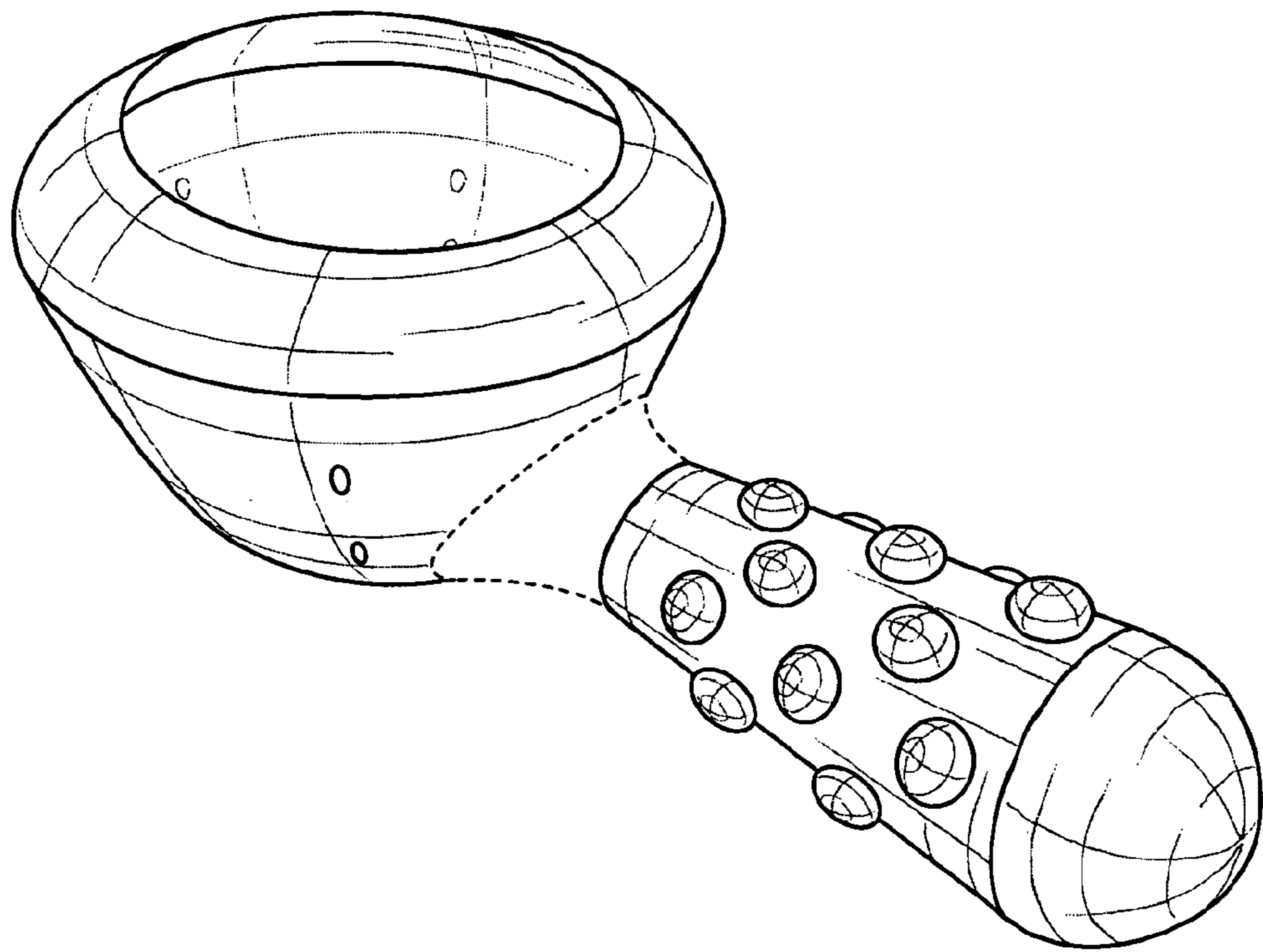


Fig. 1

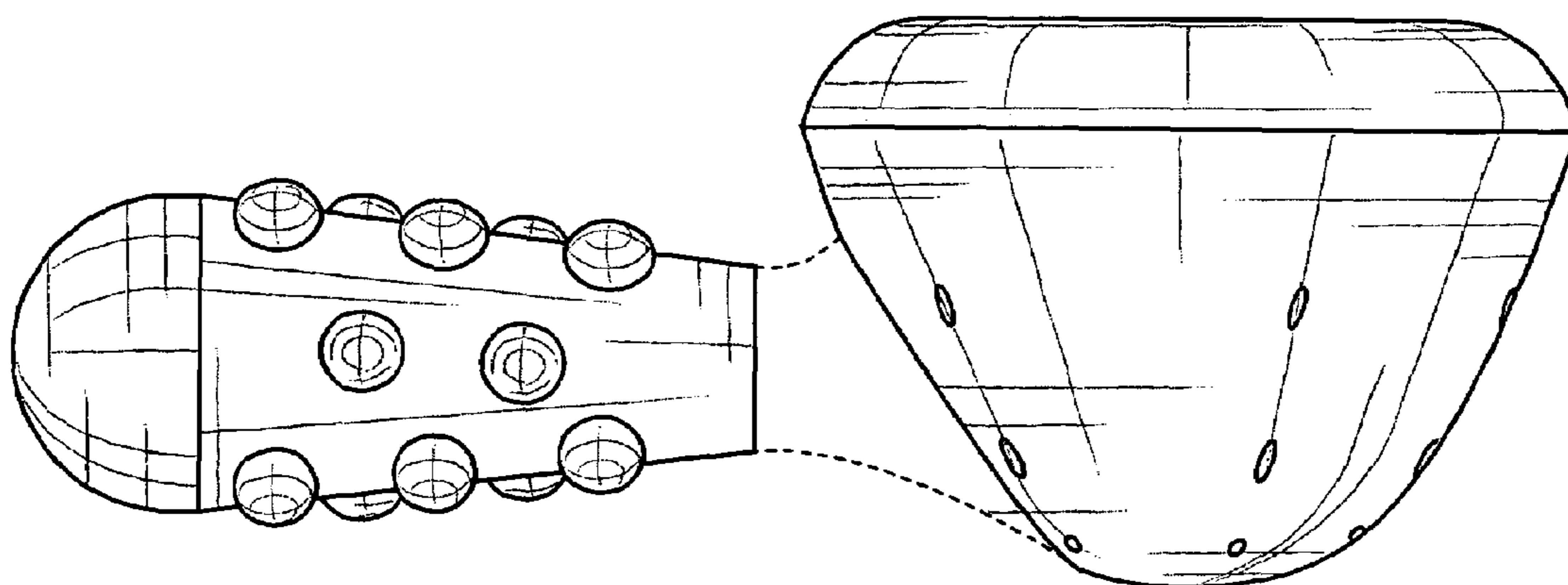


Fig. 2

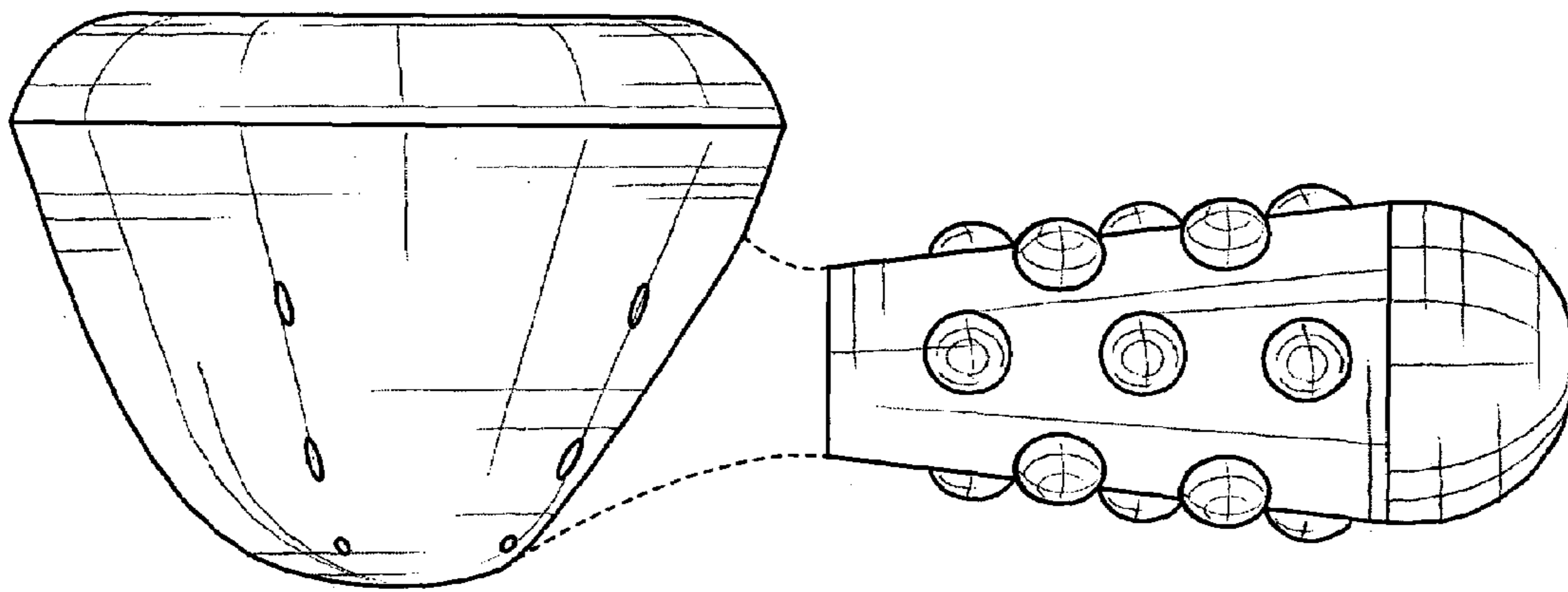


Fig. 3

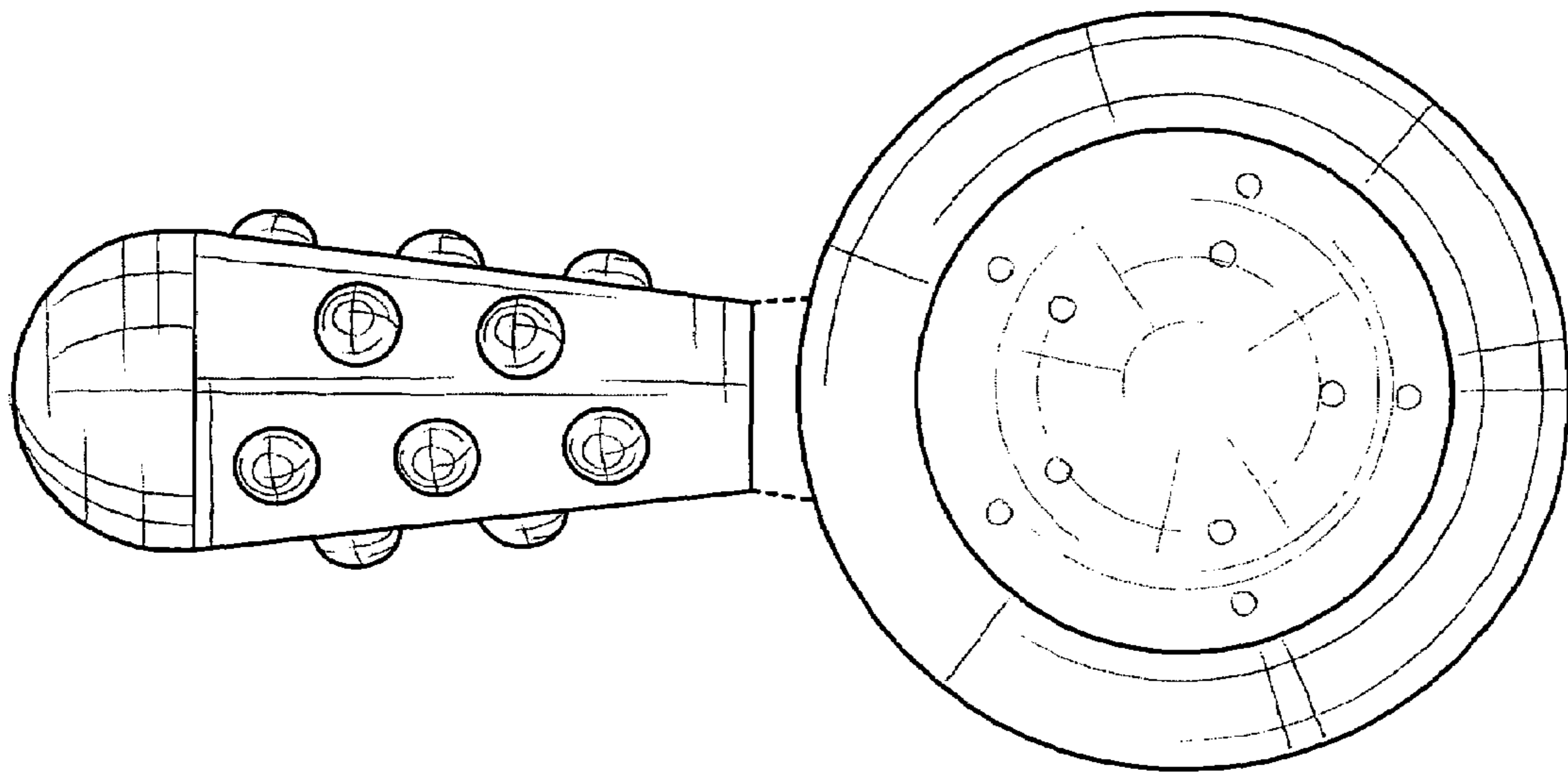


Fig. 4

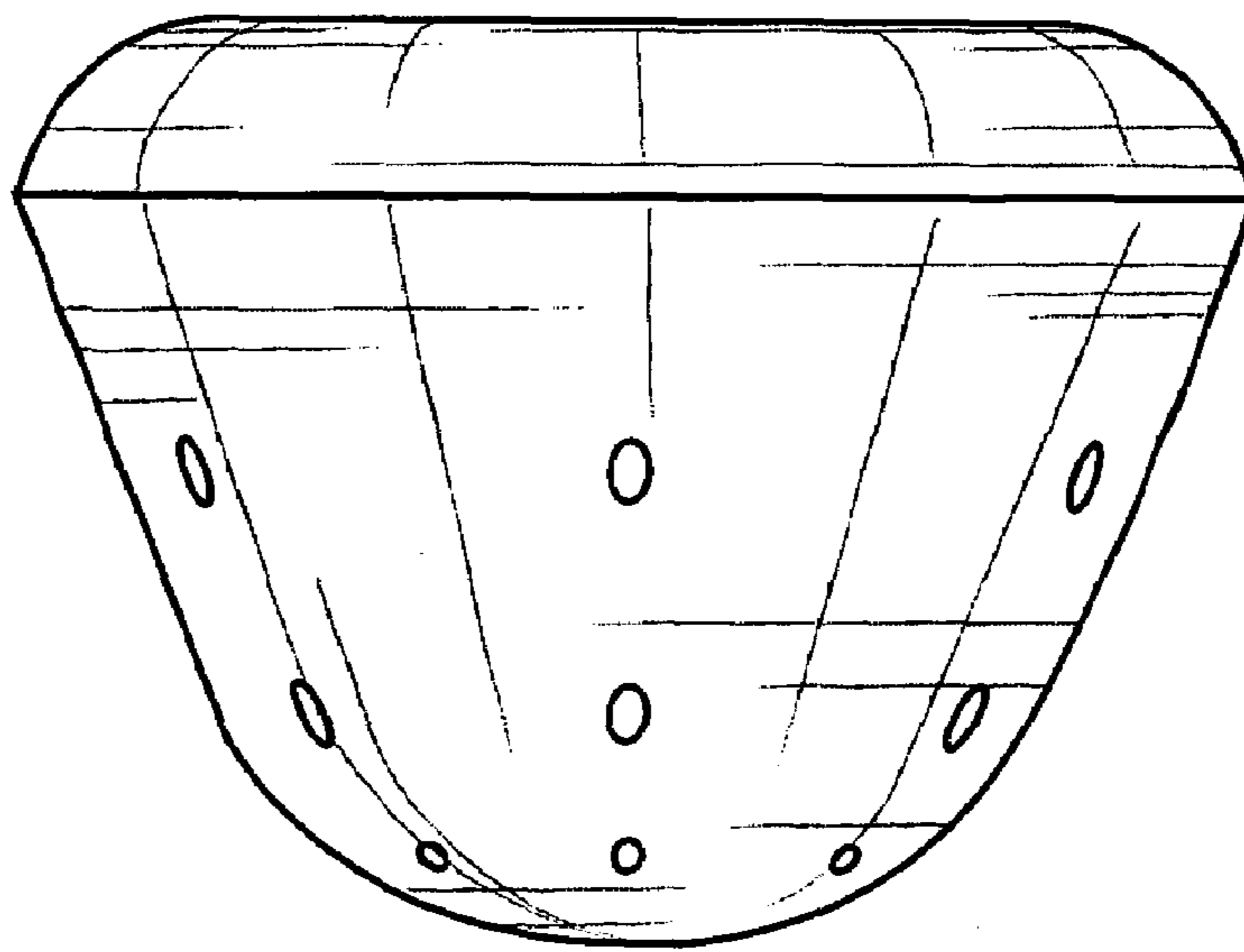


Fig. 5