



US00D599413S

(12) **United States Design Patent**
Izumi

(10) **Patent No.:** **US D599,413 S**
(45) **Date of Patent:** **** Sep. 1, 2009**

(54) **COMPUTER OPERATING APPARATUS**

(75) Inventor: **Kenji Izumi, Matsue (JP)**

(73) Assignee: **Shimane Prefectural Government,**
Matsue (JP)

(**) Term: **14 Years**

(21) Appl. No.: **29/290,404**

(22) Filed: **Dec. 3, 2007**

(30) **Foreign Application Priority Data**

Jun. 1, 2007 (JP) 2007-014570

(51) **LOC (9) Cl.** **21-01**

(52) **U.S. Cl.** **D21/333; D14/388**

(58) **Field of Classification Search** D14/402-410,
D14/356, 388, 389, 383-385, 417, 426, 399-401,
D14/455, 458; 345/156-167; 463/36-38;
358/471, 473; D21/699, 705, 324, 328, 333,
D21/357, 385, 325

See application file for complete search history.

(56) **References Cited**

U.S. PATENT DOCUMENTS

D213,573 S * 3/1969 Adolph D21/699
5,273,292 A * 12/1993 Pardi et al. 273/400
D353,426 S * 12/1994 Amram et al. D21/705
D412,208 S * 7/1999 Nelson et al. D24/158
5,921,899 A * 7/1999 Rose 482/112
6,044,772 A * 4/2000 Gaudette et al. 108/43
D436,632 S * 1/2001 Muraki et al. D21/325
D437,619 S * 2/2001 Nishimura et al. D21/333
D459,352 S * 6/2002 Giovanniello D14/402
6,410,835 B2 * 6/2002 Suzuki et al. 84/464 R
6,663,058 B1 * 12/2003 Peterson et al. 248/125.9
6,739,974 B2 * 5/2004 Kanno et al. 463/36

6,846,253 B1 * 1/2005 Szwalek 473/446
D506,206 S * 6/2005 Mabbutt D14/458
D508,090 S * 8/2005 Blackwell, III D21/333
D510,391 S * 10/2005 Merrill et al. D21/324
D514,627 S * 2/2006 Merrill et al. D21/324
D519,997 S * 5/2006 Hirota D14/341
7,060,000 B2 * 6/2006 Carlson 482/1
D525,621 S * 7/2006 Hirota D14/346
7,156,026 B2 * 1/2007 McClellion 108/43
D544,043 S * 6/2007 Yamanaka et al. D21/325
7,233,319 B2 * 6/2007 Johnson et al. 345/166
D549,710 S * 8/2007 Hyneczek et al. D14/455
7,282,013 B2 * 10/2007 Ho 482/51
D561,761 S * 2/2008 Fisher et al. D14/406
2001/0021665 A1 * 9/2001 Gouji et al. 463/7
2006/0176277 A1 * 8/2006 Daniel et al. 345/163

* cited by examiner

Primary Examiner—Cathron C Brooks

Assistant Examiner—Deanna Fluegeman

(74) *Attorney, Agent, or Firm*—Oliff & Berridge, PLC

(57) **CLAIM**

The ornamental design for a computer operating apparatus, as shown and described.

DESCRIPTION

FIG. 1 is a front view of a computer operating apparatus;

FIG. 2 is a rear view thereof;

FIG. 3 is a side view thereof, the opposite side view being a mirror image; and

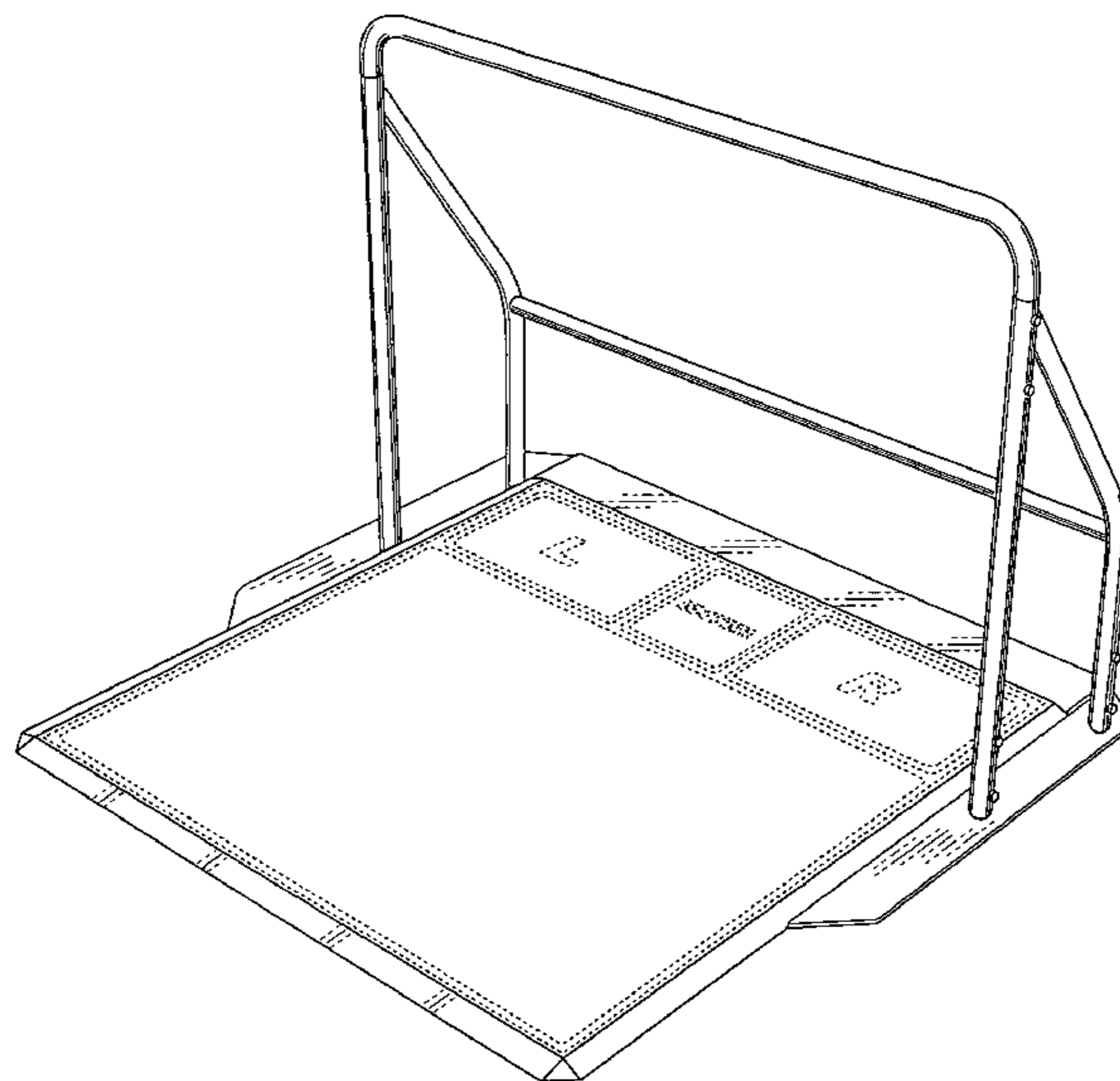
FIG. 4 is a top view thereof;

FIG. 5 is a bottom view thereof; and,

FIG. 6 is a perspective view thereof.

The broken lines depict environmental subject matter only and form no part of the claimed design.

1 Claim, 6 Drawing Sheets



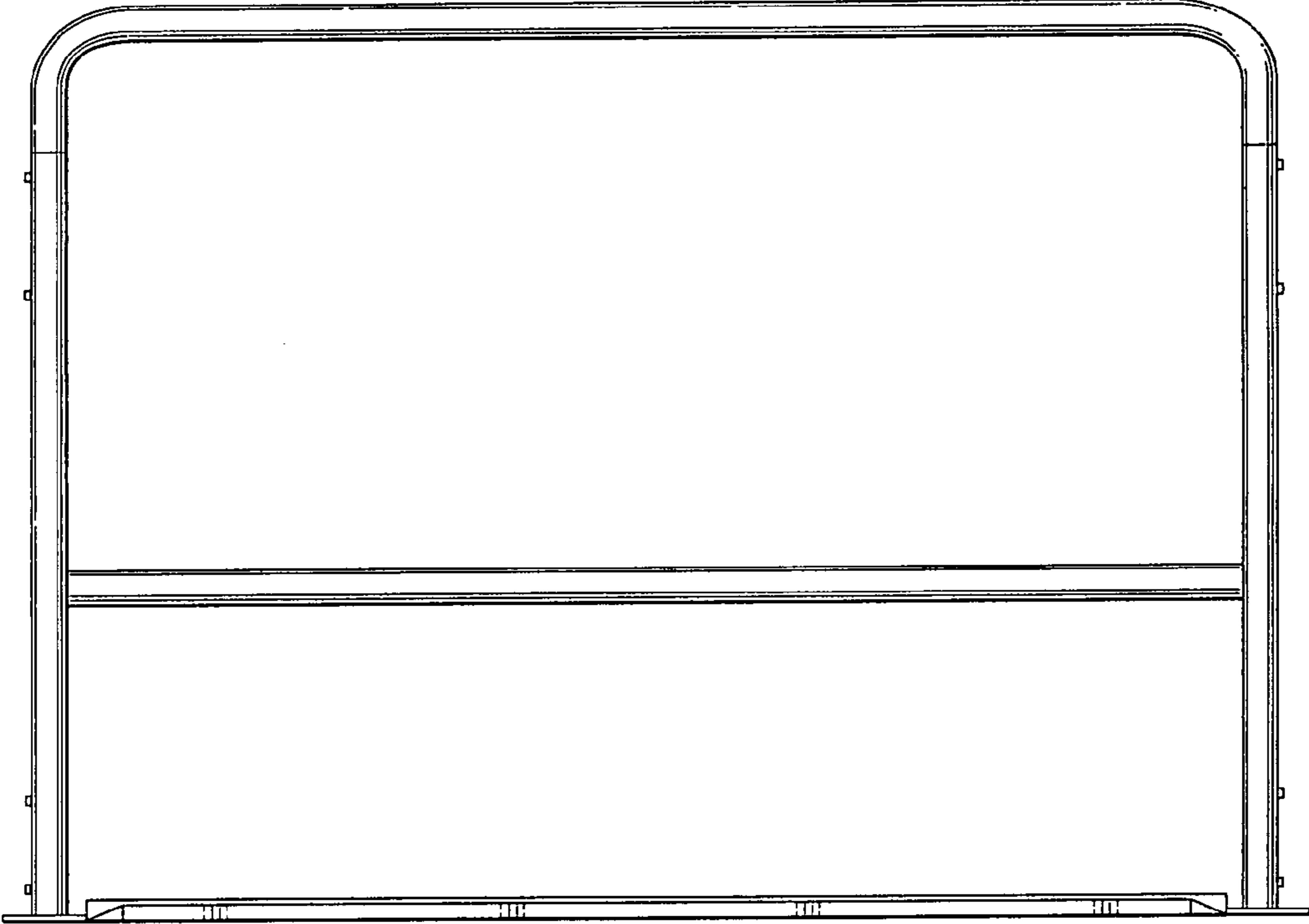


FIG.1

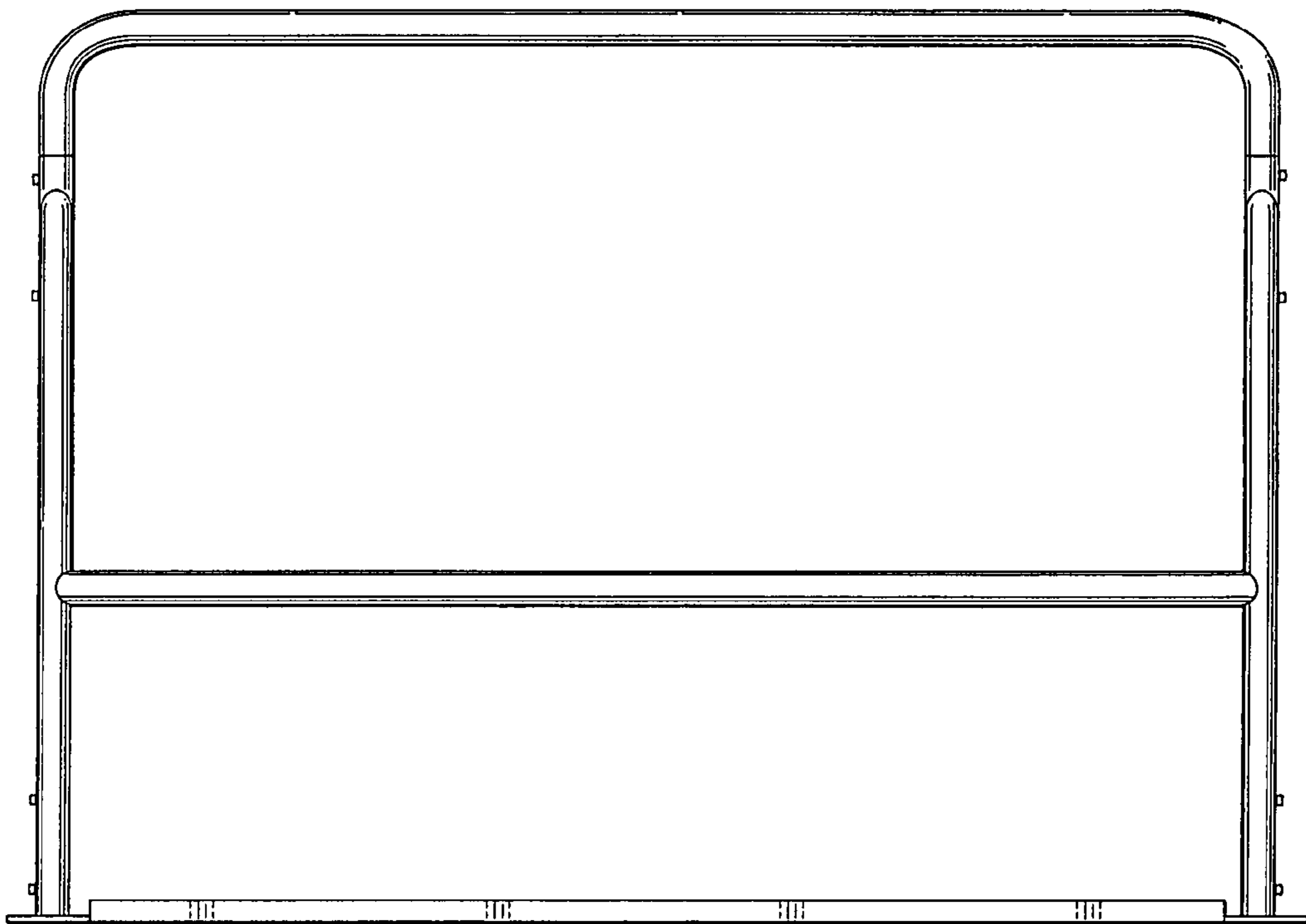


FIG.2

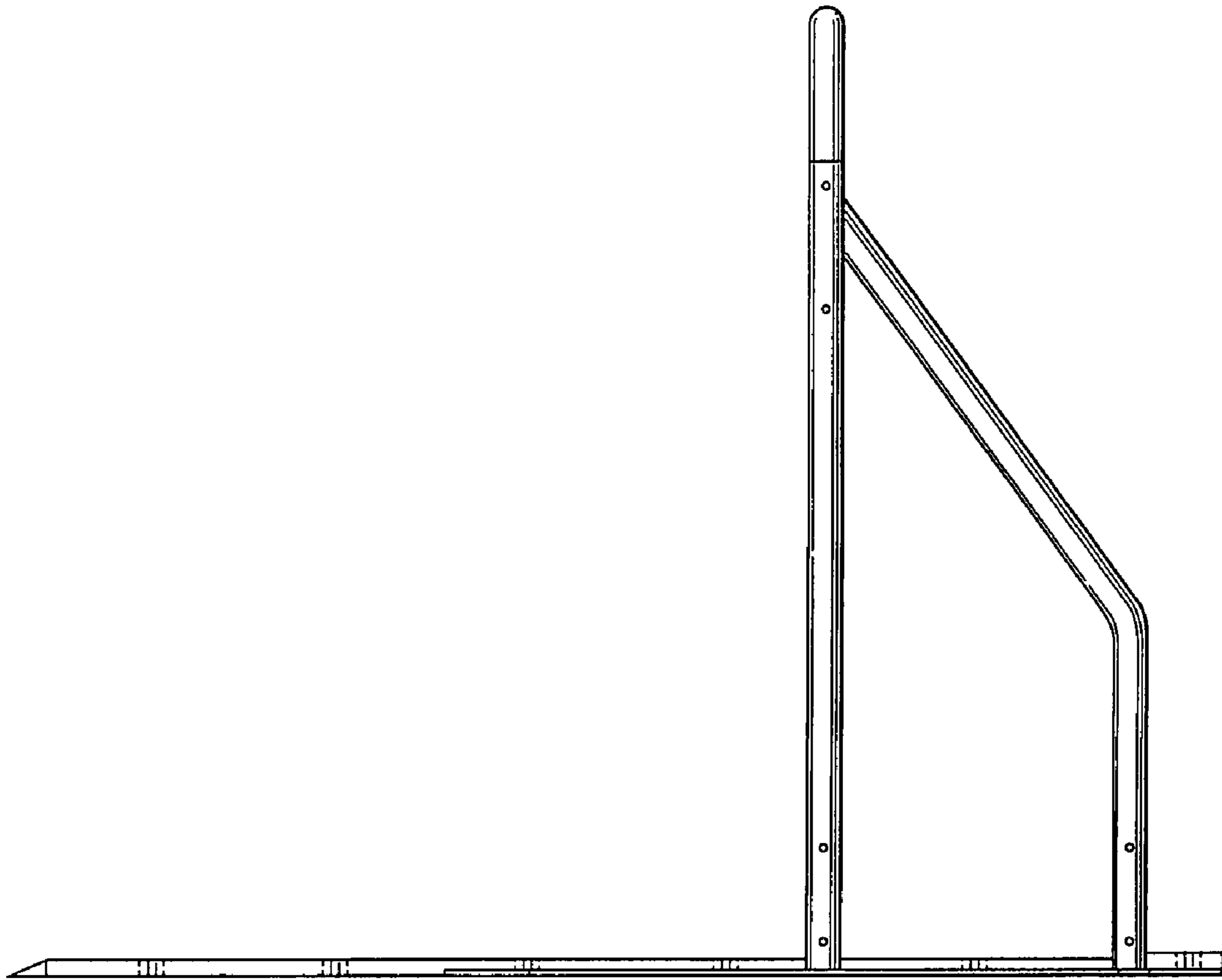


FIG.3

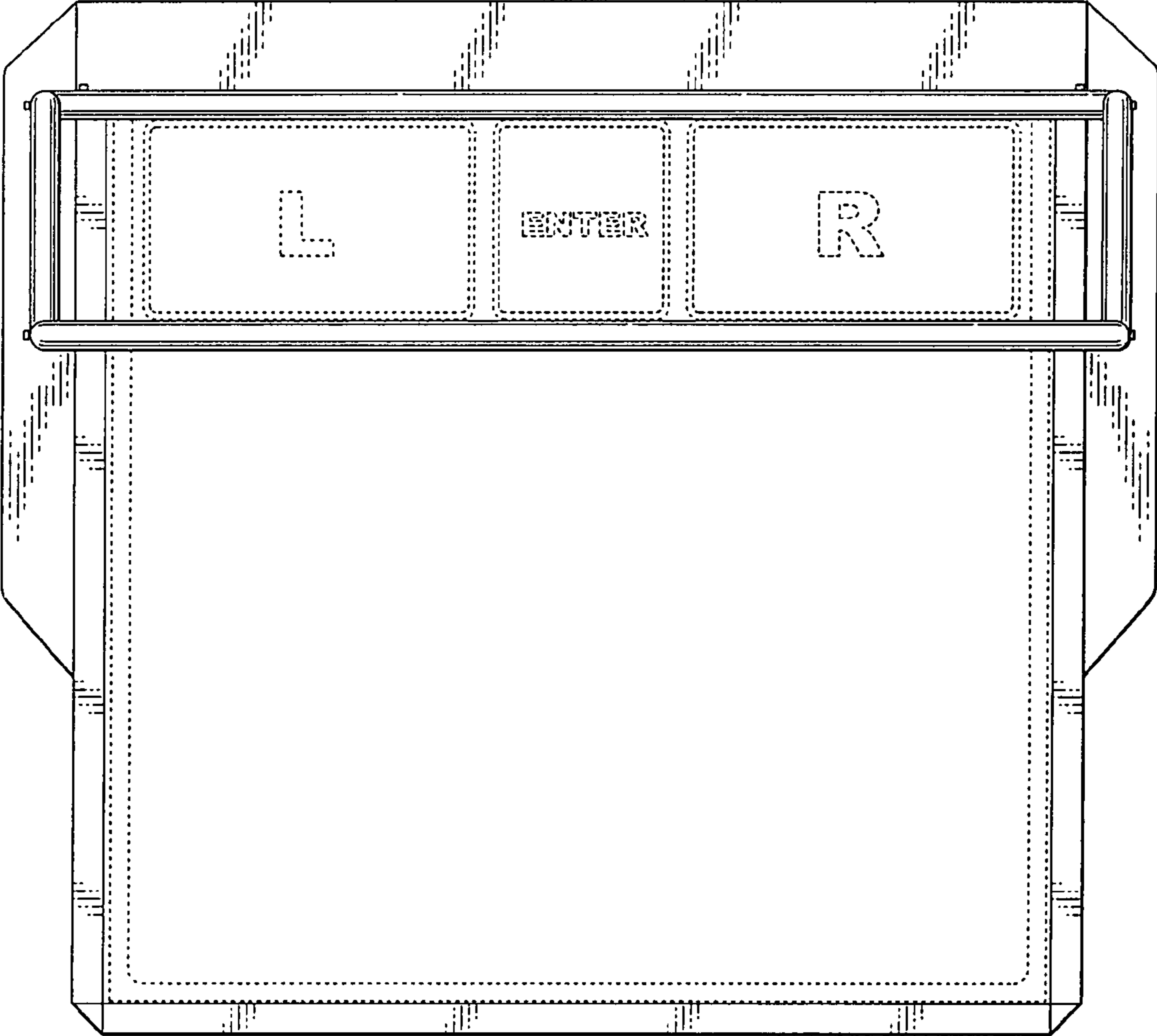


FIG.4

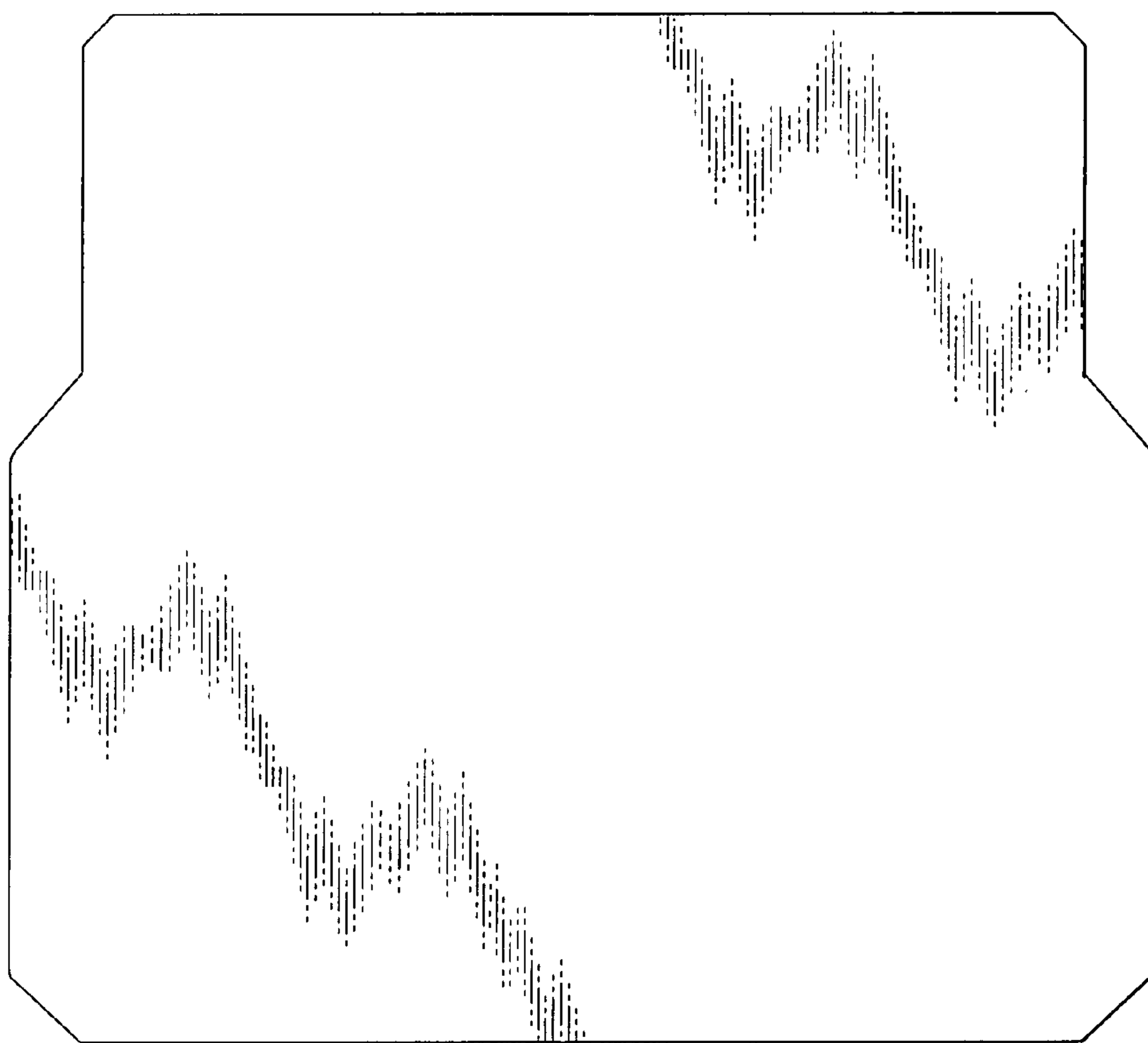


FIG.5

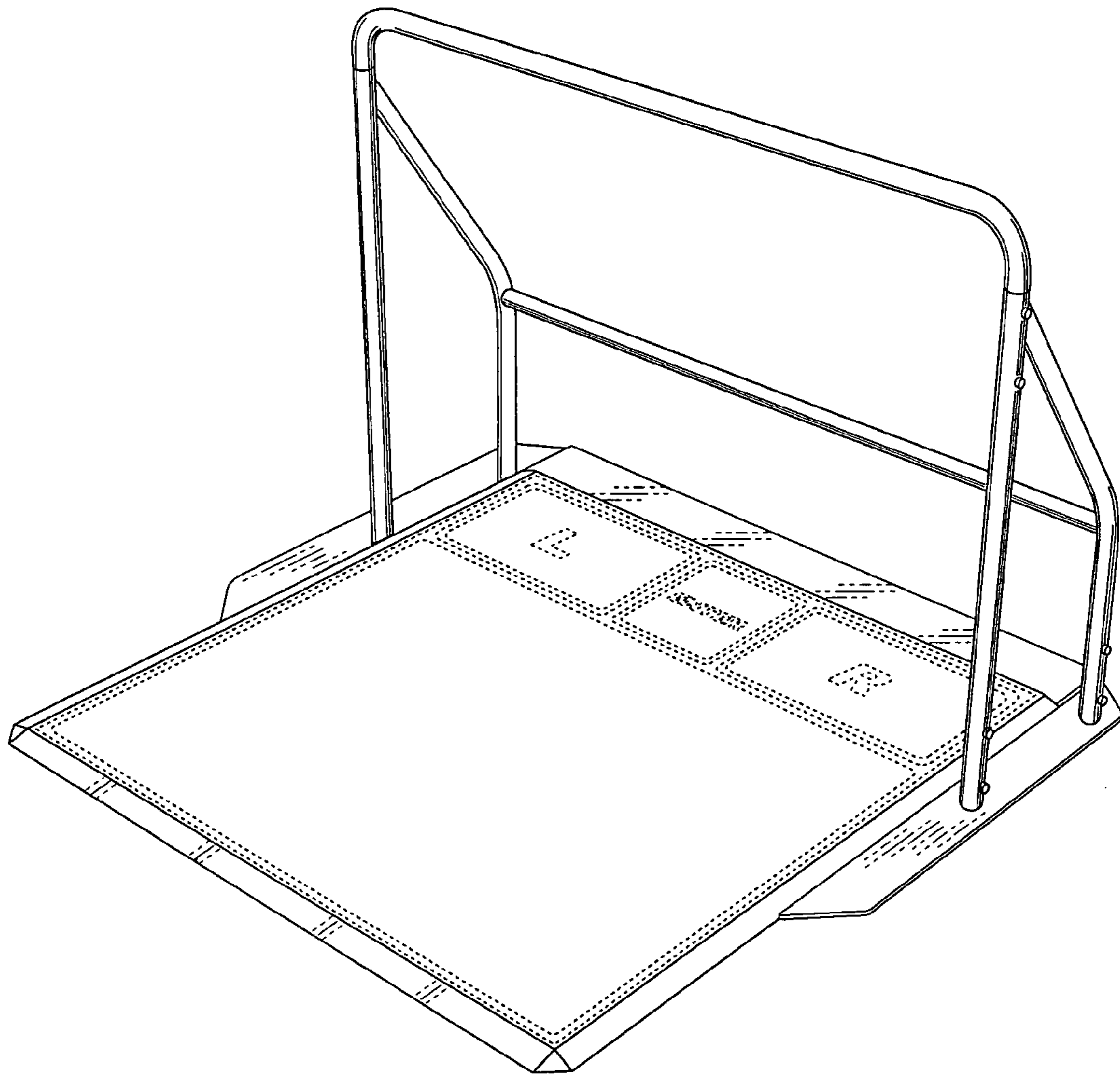


FIG.6