



US00D599409S

(12) **United States Design Patent**  
**Kan**

(10) **Patent No.:** **US D599,409 S**

(45) **Date of Patent:** **\*\* Sep. 1, 2009**

(54) **LUGGAGE TAG**

(75) Inventor: **Man Kit Elvin Kan**, New Territories (HK)

(73) Assignee: **Collin Intertrade Company Limited**, New Territories (HK)

(\*\*) Term: **14 Years**

(21) Appl. No.: **29/298,002**

(22) Filed: **Nov. 26, 2007**

(51) **LOC (9) Cl.** ..... **19-08**

(52) **U.S. Cl.** ..... **D20/27**

(58) **Field of Classification Search** ..... D20/10, D20/19, 22-28, 99; 40/6, 299.01, 544, 546, 40/625-628, 631, 634, 642.02, 644, 647, 40/649, 653-655, 658, 661, 661.01, 661.02, 40/661.06, 661.07, 661.12, 662; D10/104, D10/109; 206/449; 283/56, 71, 81; 428/203  
See application file for complete search history.

(56) **References Cited**

**U.S. PATENT DOCUMENTS**

1,322,188	A *	11/1919	Henry	.....	40/649
4,521,981	A *	6/1985	Kasprzycki et al.	.....	40/634
D287,864	S *	1/1987	Perfect	.....	D20/27
D300,835	S *	4/1989	Stevens	.....	D20/27
4,821,440	A *	4/1989	Dunn	.....	40/642.02
5,900,307	A *	5/1999	Barcikowski	.....	428/203
D432,175	S *	10/2000	Finkay	.....	D20/22
D487,483	S *	3/2004	Chen	.....	D20/19
6,851,556	B1 *	2/2005	Valdez et al.	.....	206/449
7,140,133	B2 *	11/2006	Hu et al.	.....	40/544

2009/0100731 A1\* 4/2009 Elvin ..... 40/655

\* cited by examiner

*Primary Examiner*—Janice E Seeger

*Assistant Examiner*—Mary Ann Calabrese

(57) **CLAIM**

The ornamental design for luggage tag, as shown and described.

**DESCRIPTION**

FIG. 1 is a front elevational view of a luggage tag showing the first embodiment of my new design;

FIG. 2 is a rear elevational view thereof;

FIG. 3 is a right side view thereof;

FIG. 4 is a left side view thereof;

FIG. 5 is a top plan view thereof;

FIG. 6 is a bottom plan view thereof;

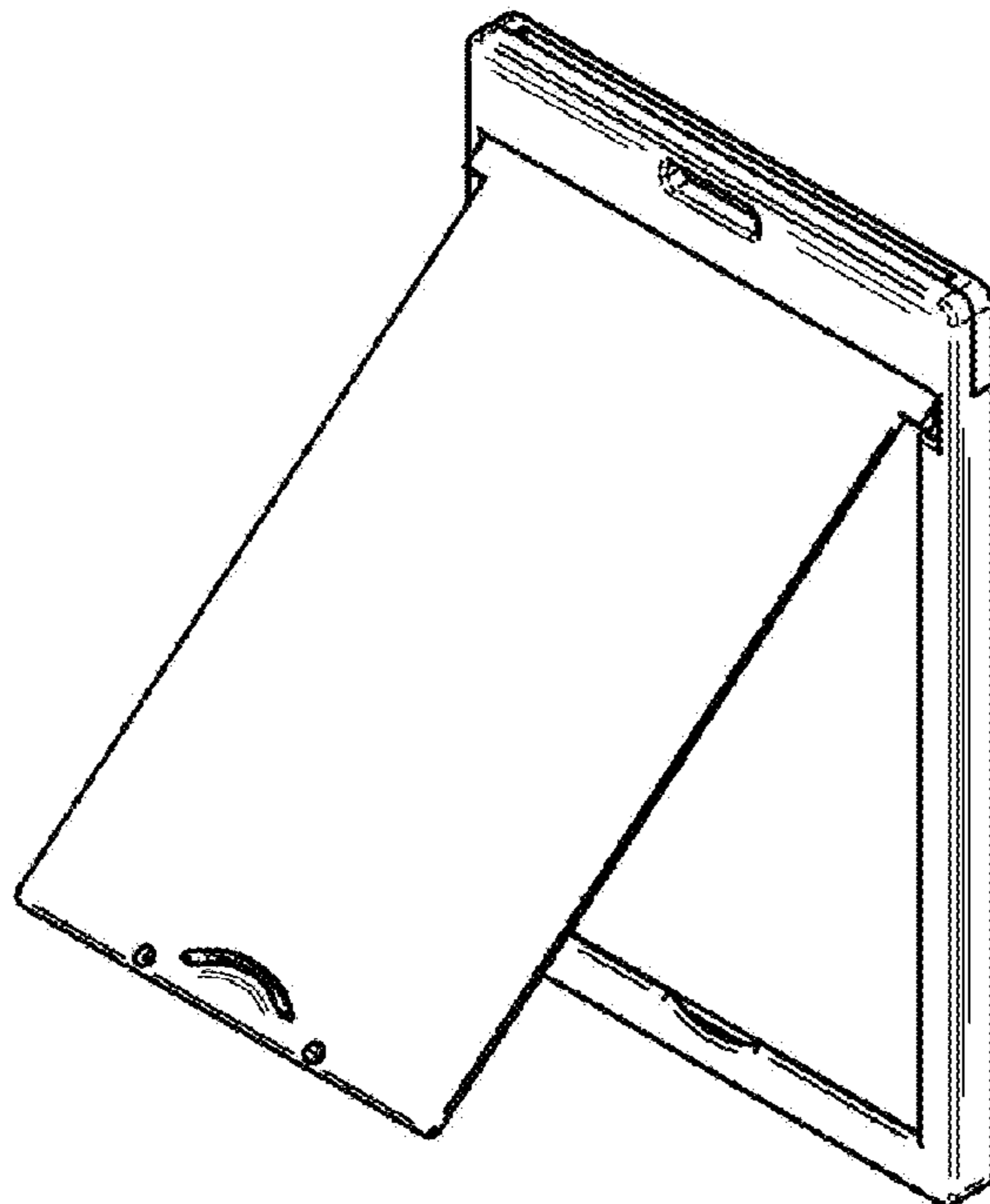
FIG. 7 is a perspective view thereof with the cover of the luggage tag opened;

FIG. 8 is a front elevational view of a luggage tag showing the second embodiment of my new design with a transparent cover; the rear elevational view, top plan view bottom plan view, right side view and left side view are identical to those of the first embodiment; and,

FIG. 9 is a perspective view thereof with the cover of the luggage tag opened.

The broken lines on a photo inserted into the luggage tag are included for illustrative purposes only and form no part of the claimed design.

**1 Claim, 5 Drawing Sheets**



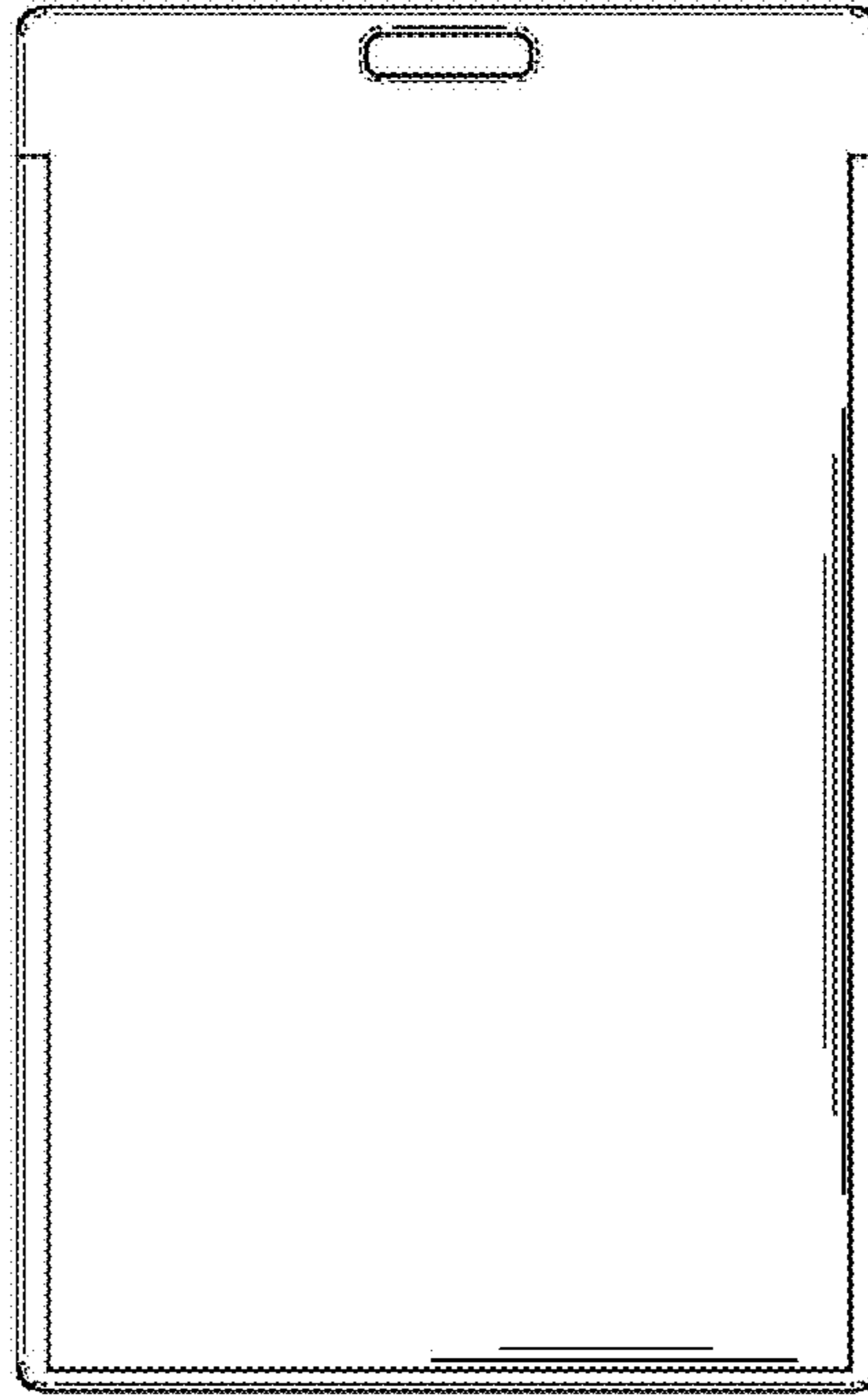


FIG. 1

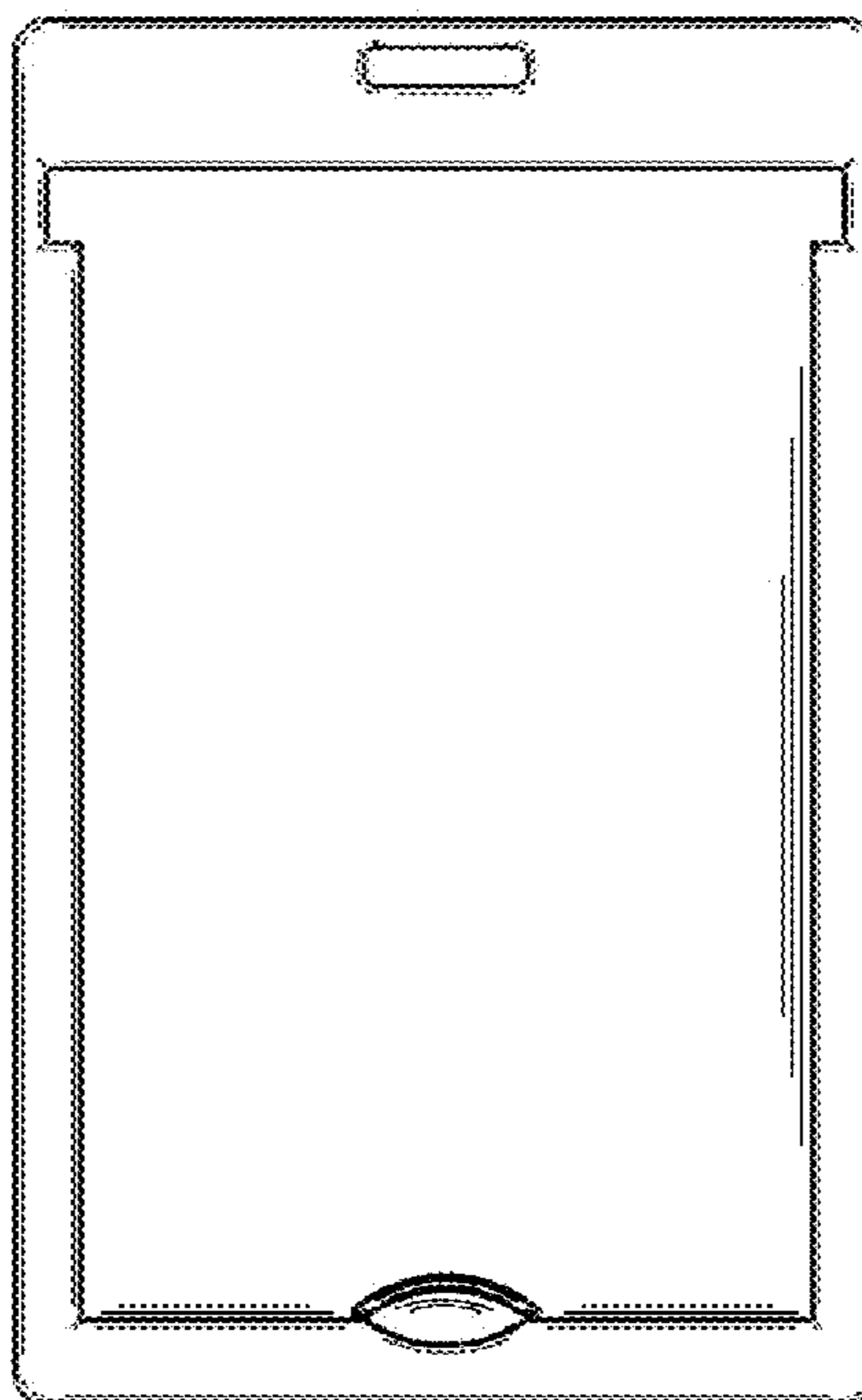


FIG. 2

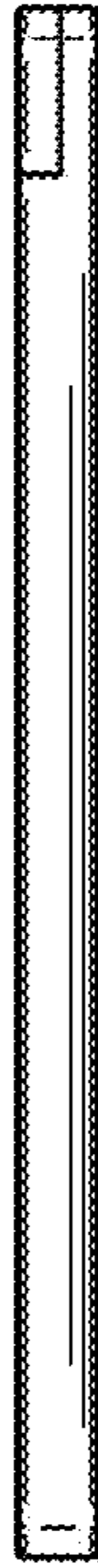


FIG. 3

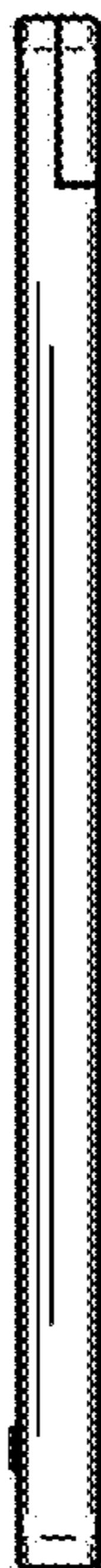
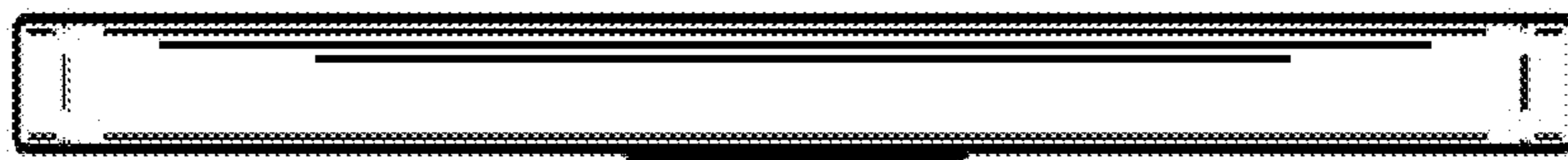


FIG. 4



**FIG. 5**



**FIG. 6**

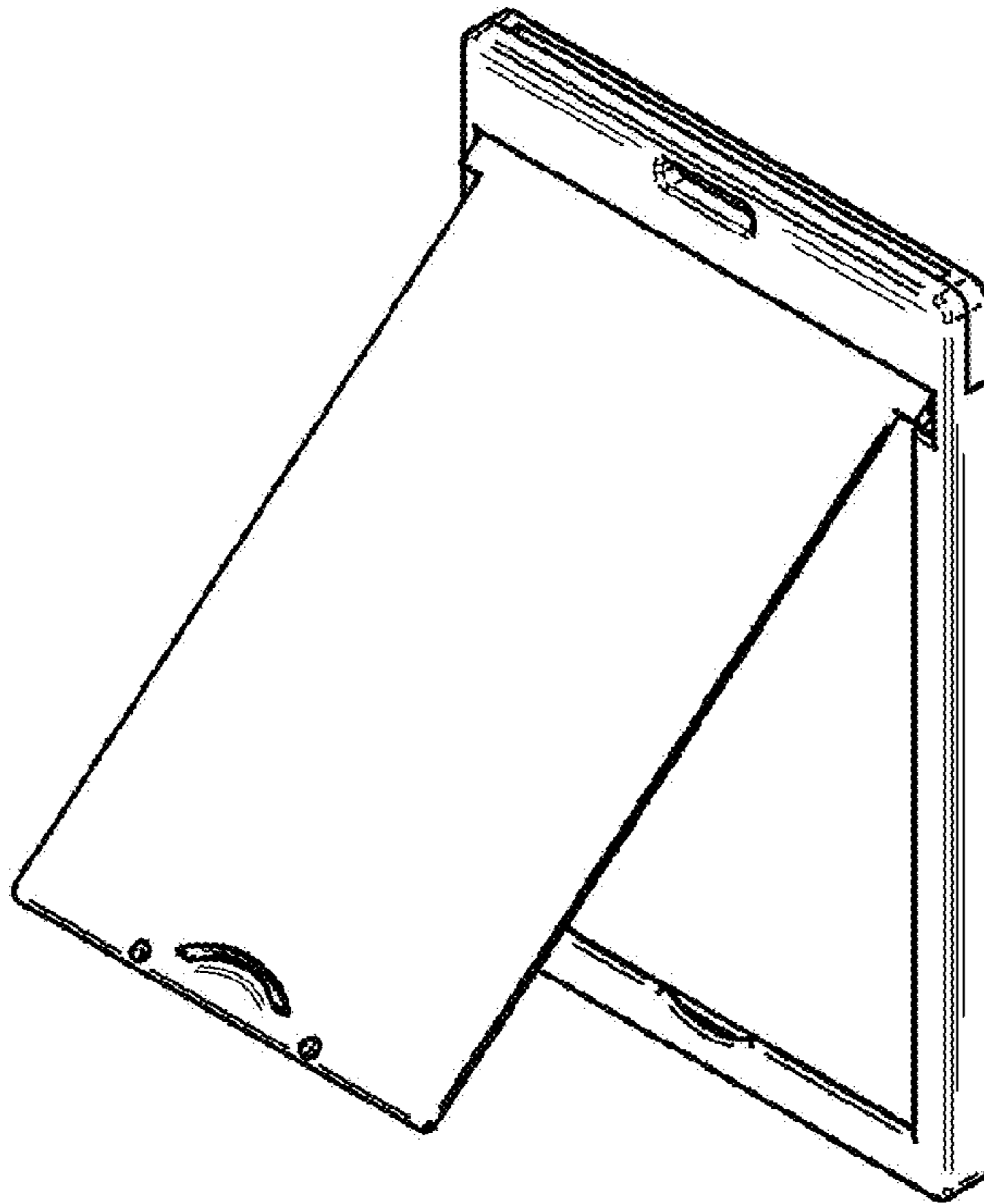


FIG. 7

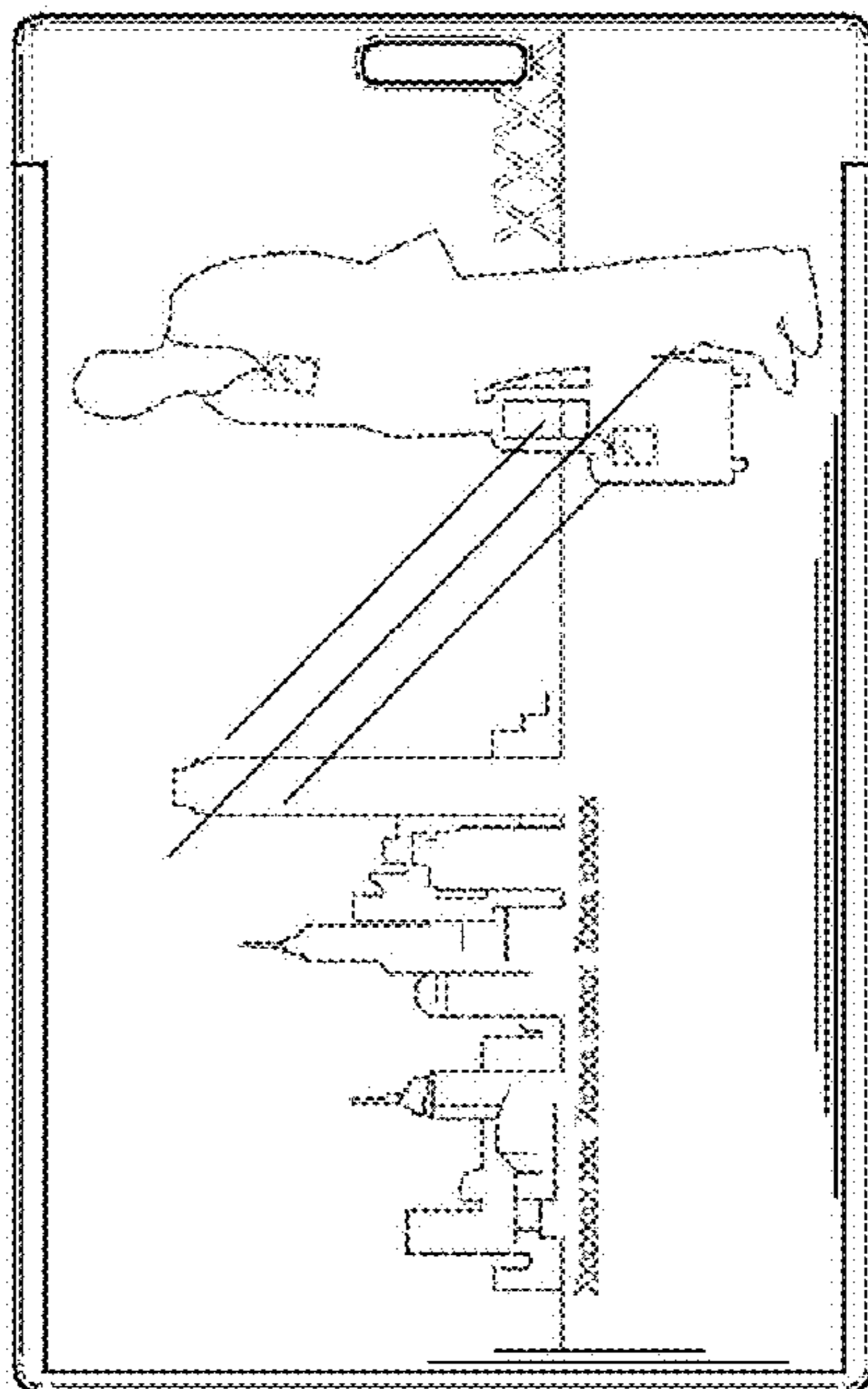


FIG. 8

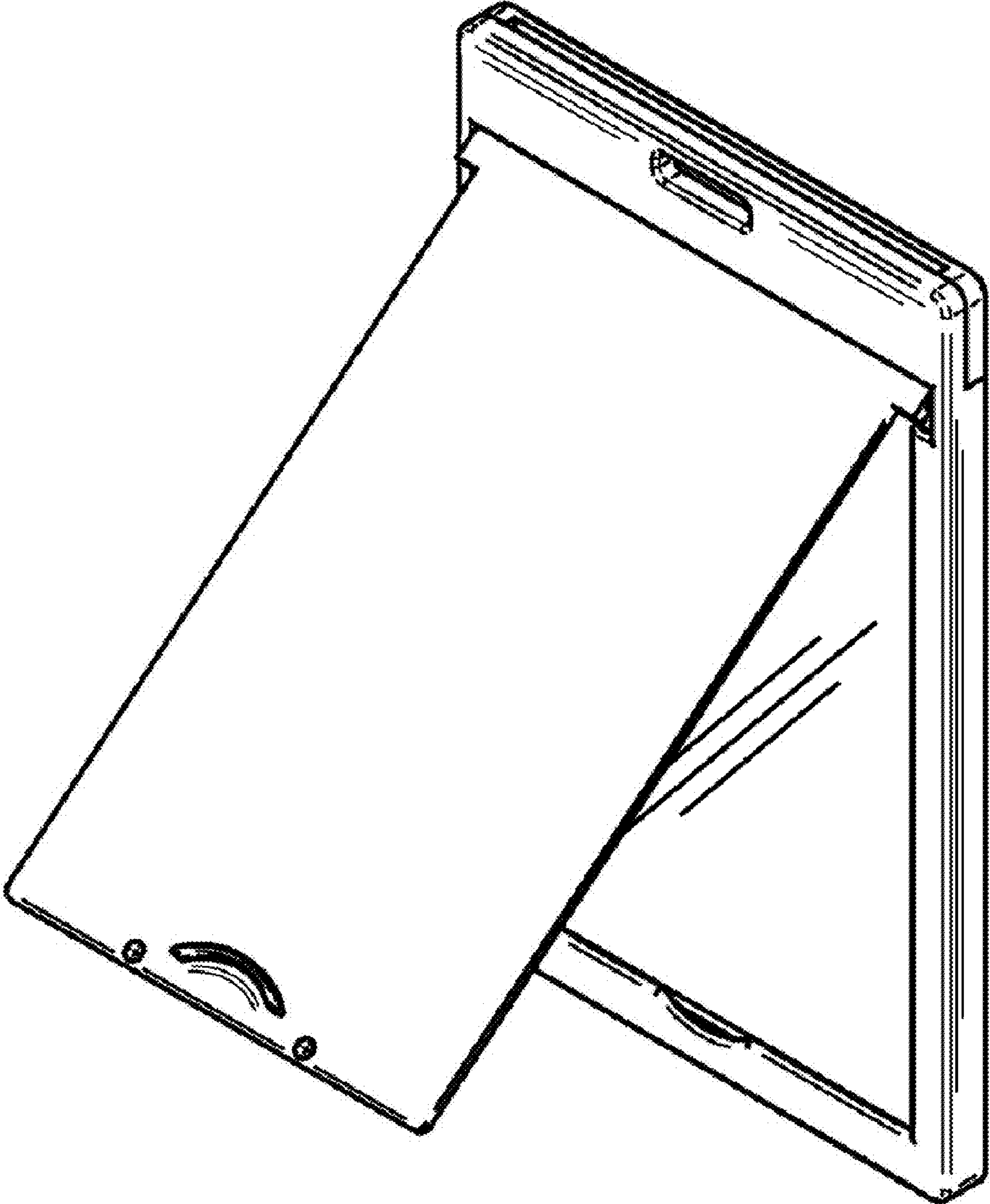


FIG. 9