



US00D599407S

(12) **United States Design Patent**
Flores

(10) **Patent No.:** **US D599,407 S**

(45) **Date of Patent:** **** Sep. 1, 2009**

(54) **NOTEPAD HOLDER**

(75) **Inventor:** **Farah Lee Flores**, Hollywood, FL (US)

(73) **Assignee:** **Bullet Line, LLC**, Miami, FL (US)

(**) **Term:** **14 Years**

(21) **Appl. No.:** **29/313,537**

(22) **Filed:** **Jan. 20, 2009**

(51) **LOC (9) Cl.** **19-02**

(52) **U.S. Cl.** **D19/86**

(58) **Field of Classification Search** D3/201,
D3/203.2, 215, 273, 294, 298, 314; D6/634;
D19/75, 77-87, 90-92; 206/37, 215, 425,
206/449, 555, 575; 211/45, 50

See application file for complete search history.

(56) **References Cited**

U.S. PATENT DOCUMENTS

2,943,758	A *	7/1960	Harris	220/4.01
D268,714	S *	4/1983	Goedel	D3/295
D350,850	S *	9/1994	Angelini	D3/273
5,427,254	A *	6/1995	Knieriem	211/50
D369,239	S *	4/1996	Deutch	D3/247
D427,432	S *	7/2000	Au et al.	D3/265
D430,727	S *	9/2000	Wisniewski	D3/265
D529,959	S *	10/2006	Oas	D19/36
D547,544	S *	7/2007	Hussaini et al.	D3/201

D566,192	S *	4/2008	Bhavnani	D19/92
D567,864	S *	4/2008	Bhavnani	D19/92
D582,405	S *	12/2008	Andre et al.	D14/250

* cited by examiner

Primary Examiner—Elizabeth A Albert

(74) *Attorney, Agent, or Firm*—Malloy & Malloy, P.A.

(57) **CLAIM**

The ornamental design for a notepad holder, as shown and described.

DESCRIPTION

FIG. 1 is a front perspective view illustrating my design for a notepad holder;

FIG. 2 is a front view thereof;

FIG. 3 is a left side view thereof;

FIG. 4 is a top view thereof;

FIG. 5 is a right side view thereof;

FIG. 6 is a bottom view thereof;

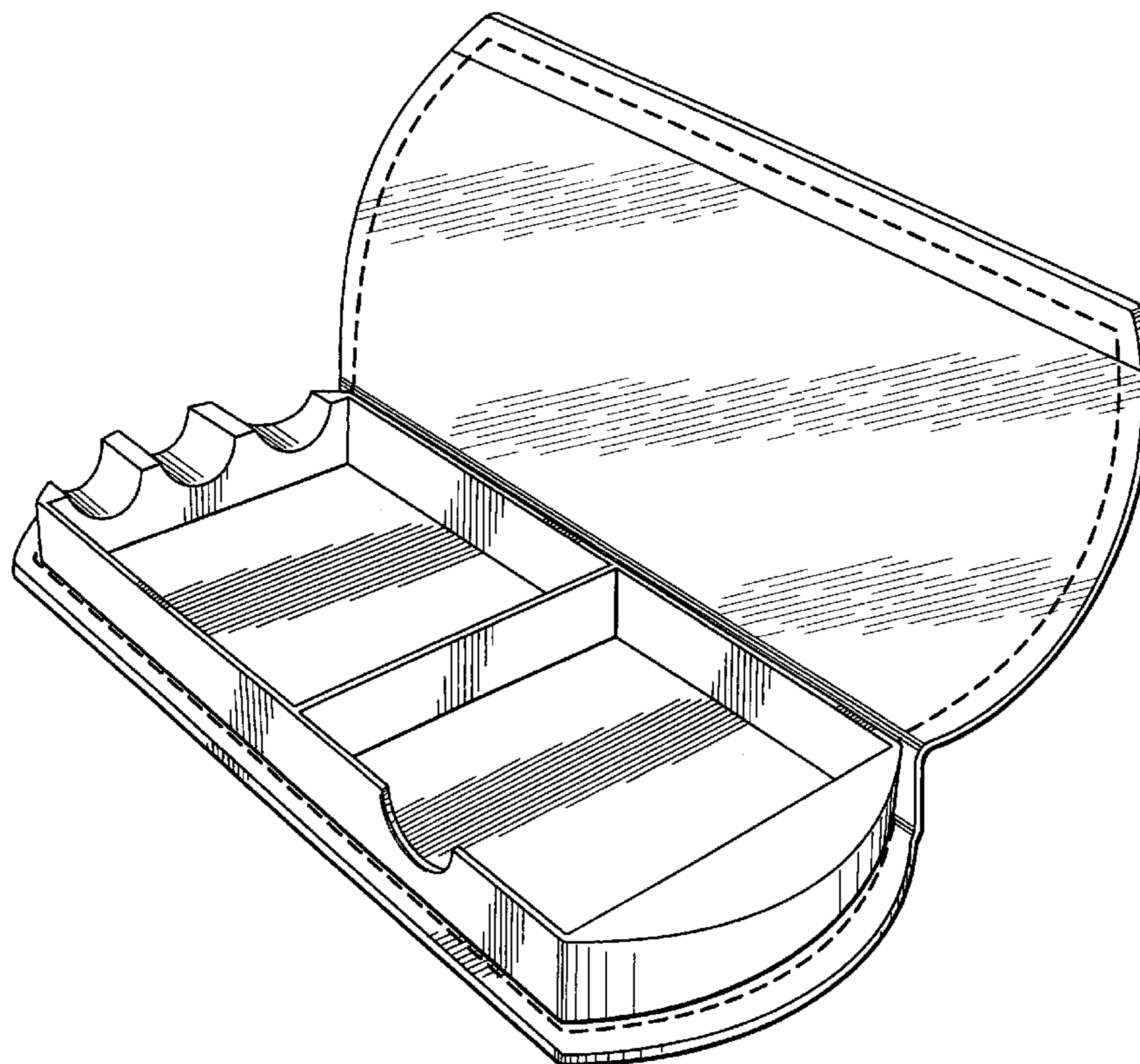
FIG. 7 is a rear view thereof;

FIG. 8 is a perspective view in open position thereof; and,

FIG. 9 is a top view in open position thereof.

The broken lines shown in the drawings represent stitching and are a part of the claimed design.

1 Claim, 6 Drawing Sheets



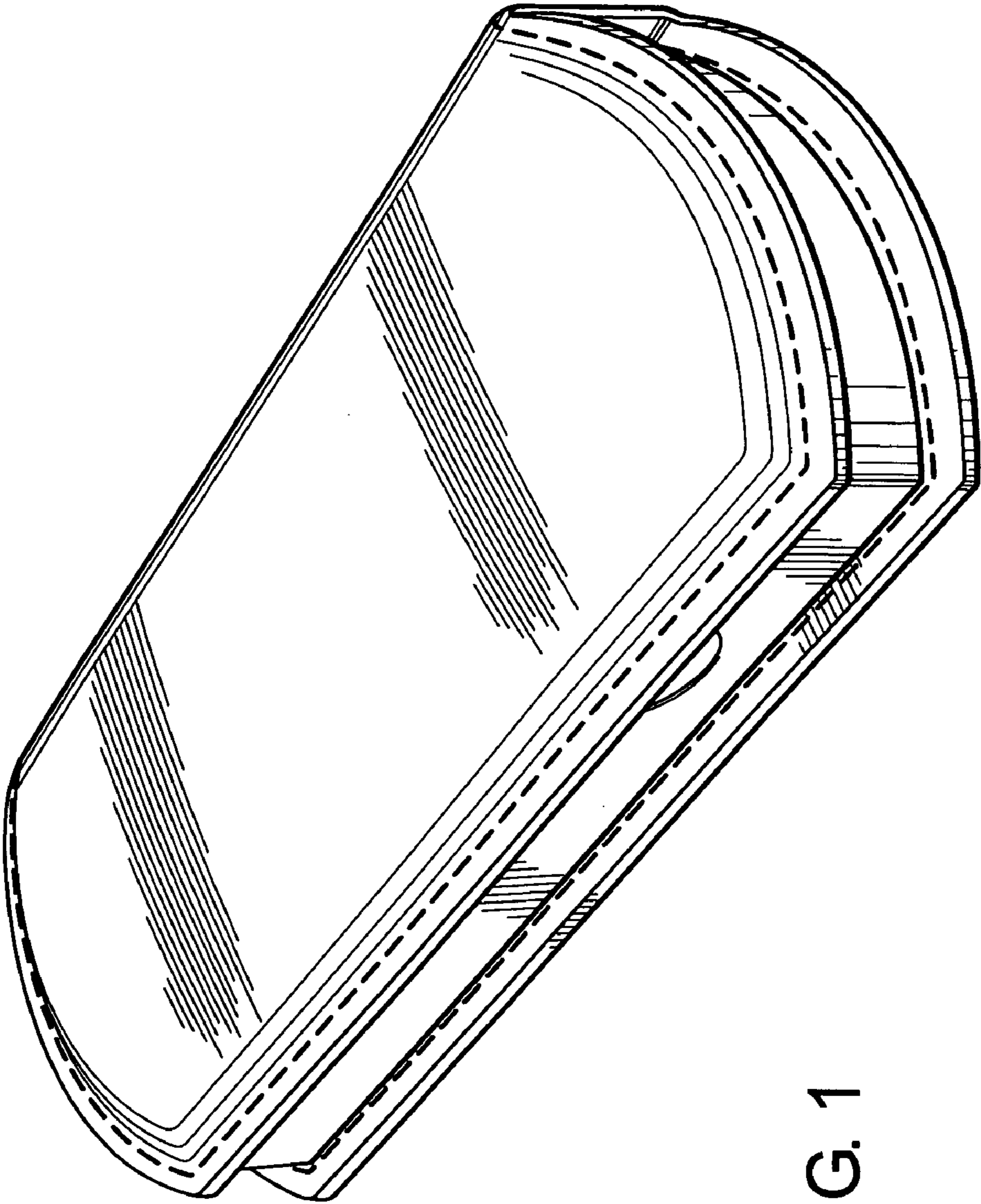


FIG. 1

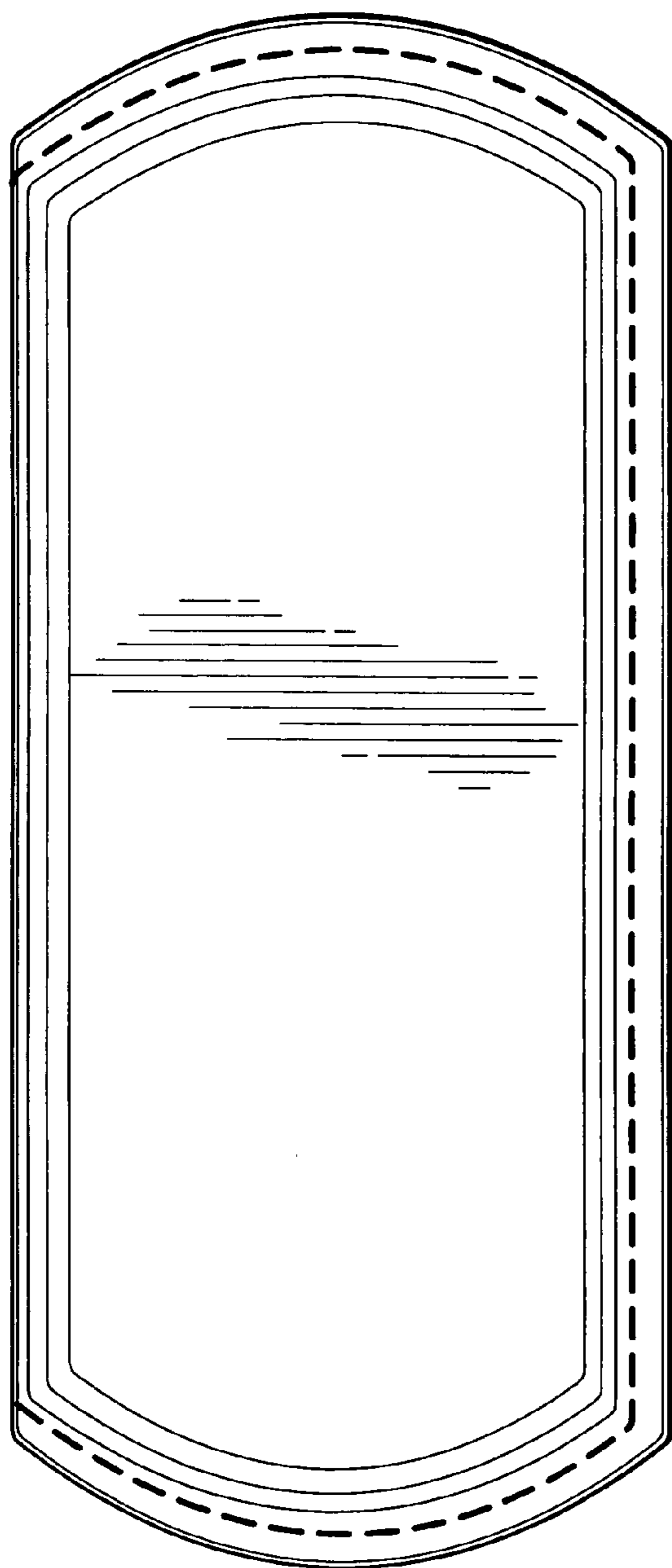


FIG. 4

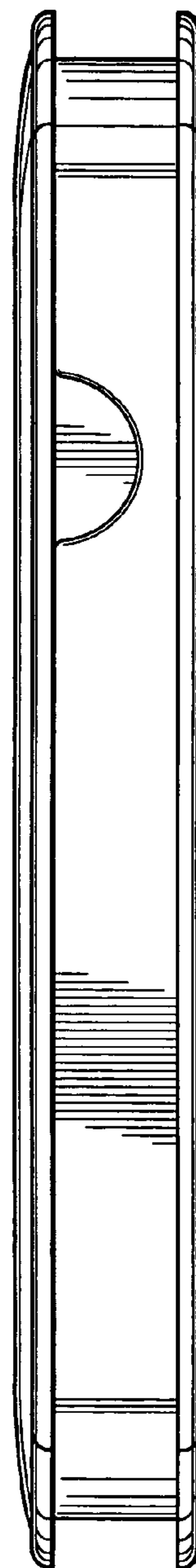


FIG. 2

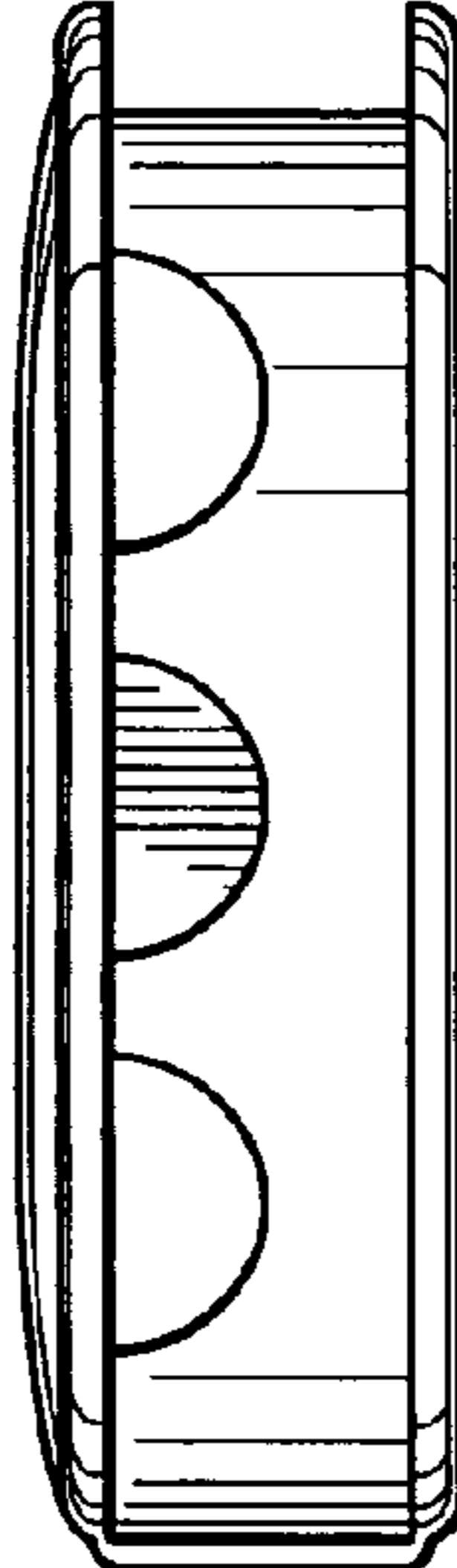


FIG. 3

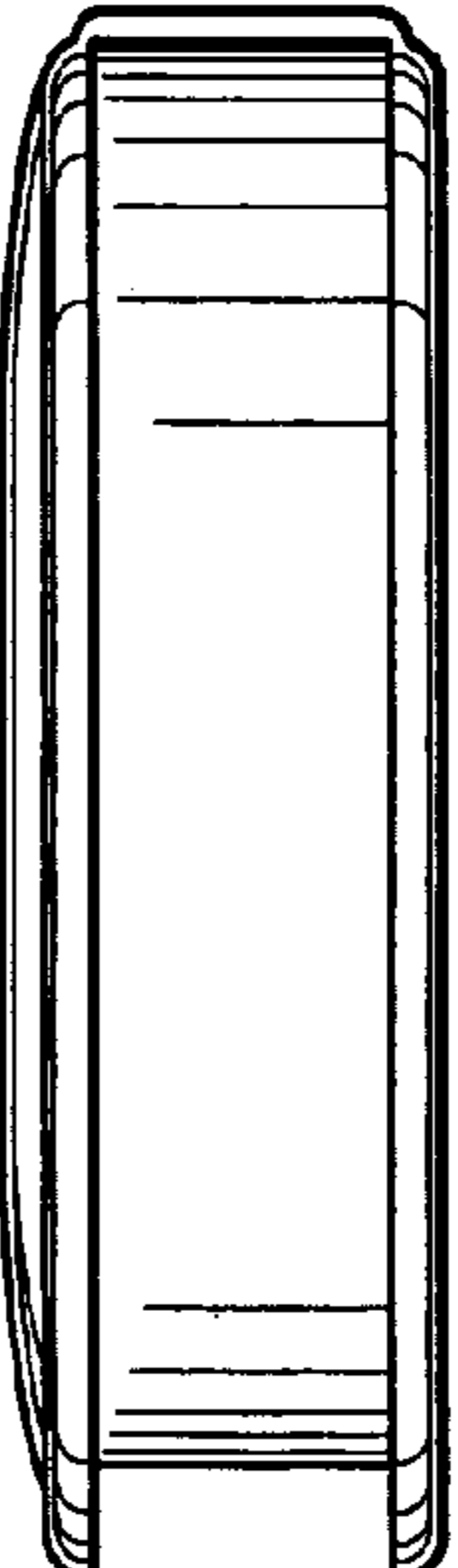


FIG. 5

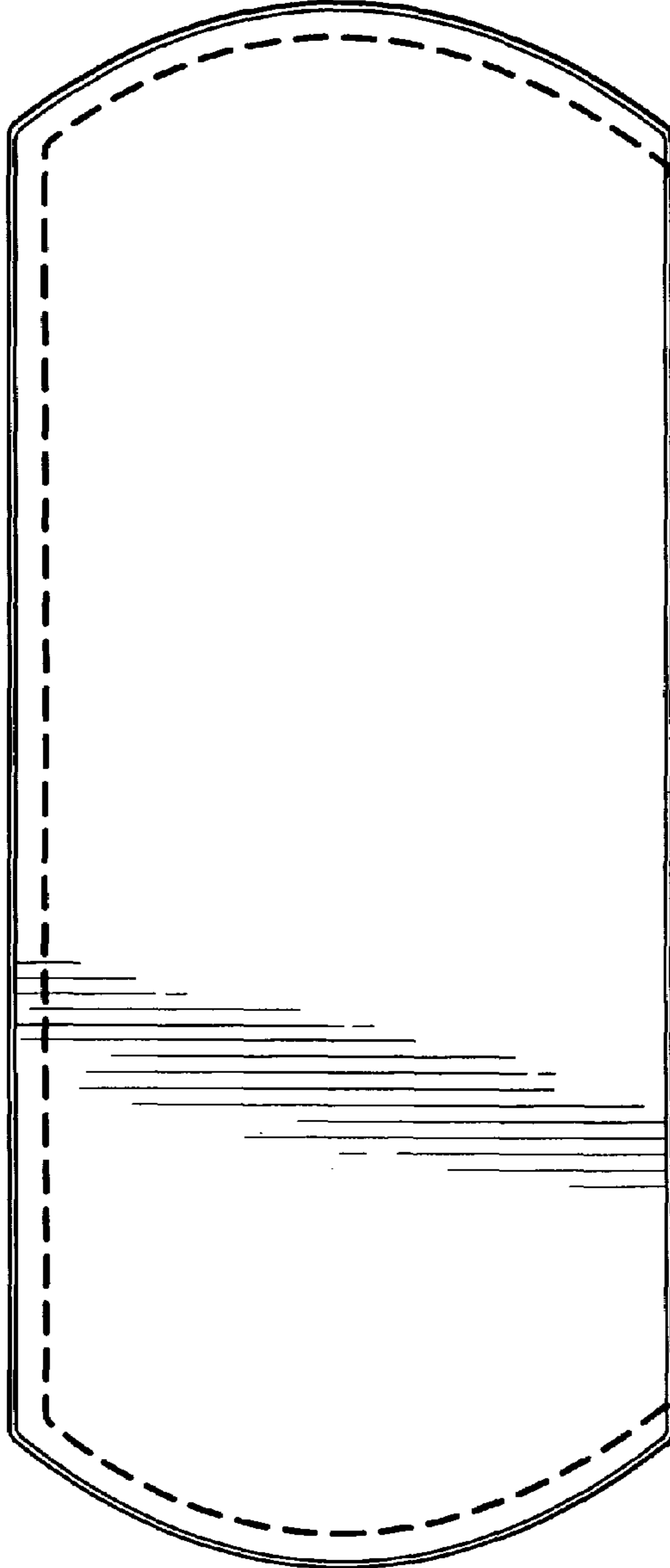


FIG. 6

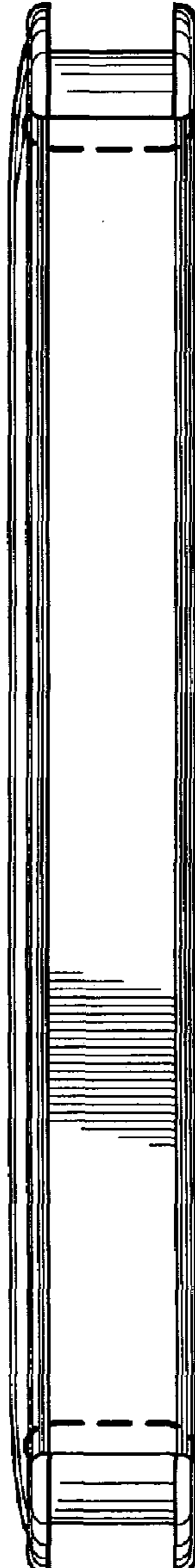


FIG. 7

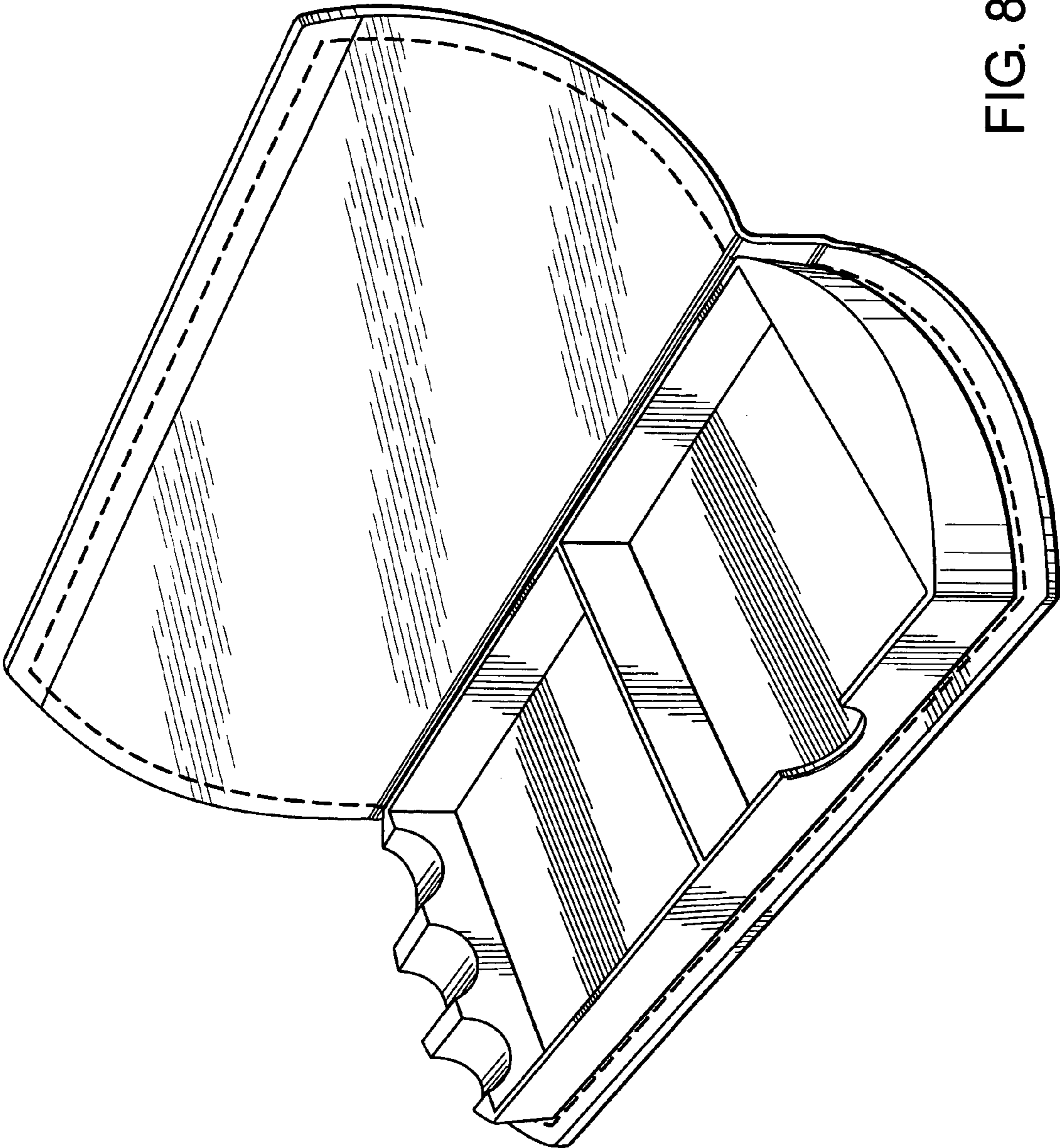


FIG. 8

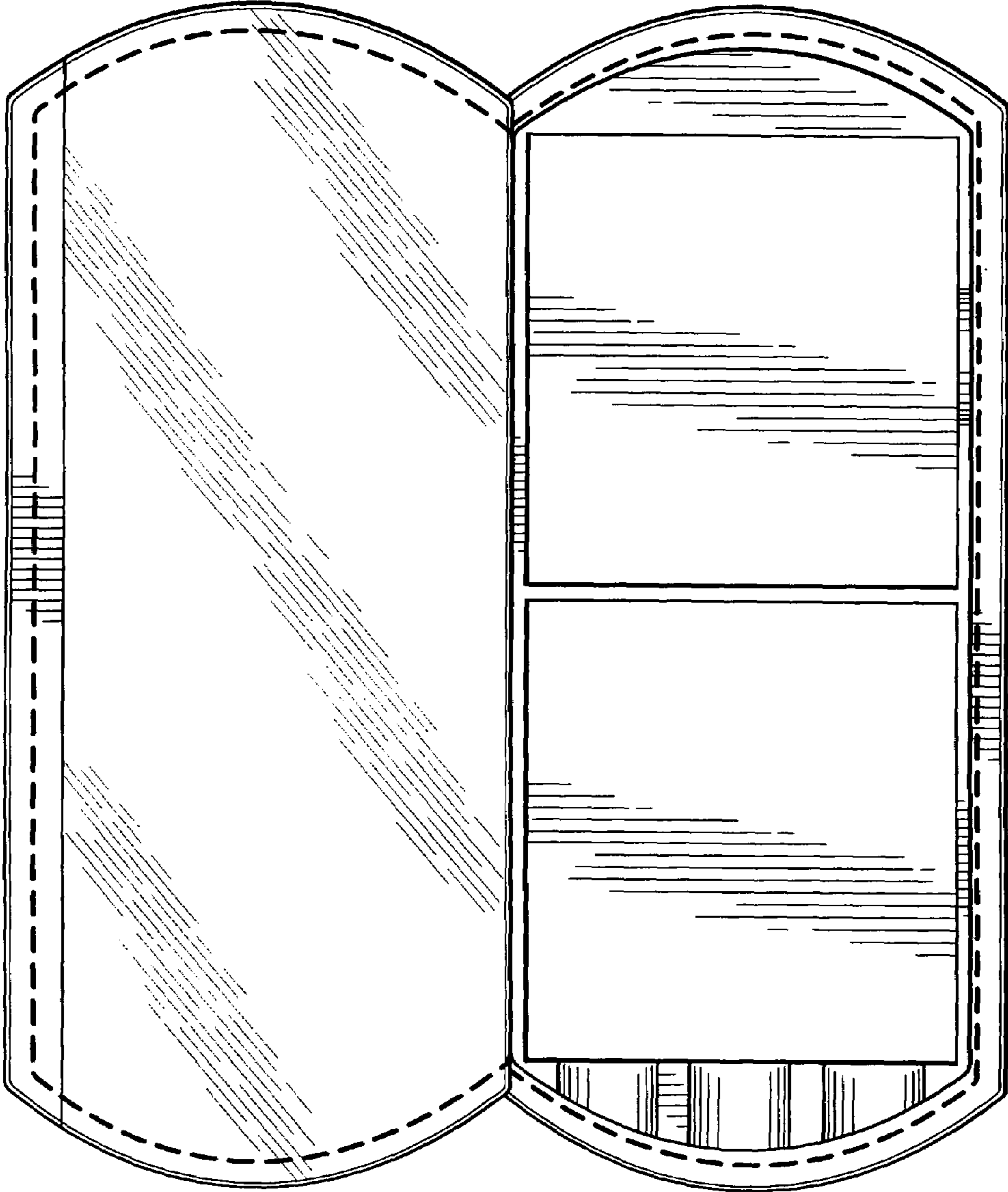


FIG. 9